



US00D640717S

(12) **United States Design Patent**
Morrison et al.

(10) **Patent No.:** **US D640,717 S**
(45) **Date of Patent:** **** Jun. 28, 2011**

(54) **CUTTING INSERT**

(75) Inventors: **Lewis Ray Morrison**, Latrobe, PA (US);
Kumar Reddy Mylavaram Nihilesh,
Ligonier, PA (US); **Thomas Jerry Long**,
Greensburg, PA (US); **Jeffrey Francis**
Kovac, Loyalhanna, PA (US); **Suresh**
Mali, Bangalore (IN)

(73) Assignee: **Kennametal Inc.**, Latrobe, PA (US)

(**) Term: **14 Years**

(21) Appl. No.: **29/383,536**

(22) Filed: **Jan. 19, 2011**

Related U.S. Application Data

(63) Continuation of application No. 29/346,581, filed on
Nov. 3, 2009.

(51) **LOC (9) Cl.** **15-09**

(52) **U.S. Cl.** **D15/139**

(58) **Field of Classification Search** D15/138,
D15/139; 407/35, 42, 112-119

See application file for complete search history.

(56) **References Cited**

U.S. PATENT DOCUMENTS

3,629,919	A	12/1971	Trevarrow	
5,046,899	A	9/1991	Nishi	
D363,727	S *	10/1995	DeRoche	D15/139
5,934,844	A *	8/1999	Woolley	407/114
D416,917	S *	11/1999	Xie et al.	D15/139
6,050,751	A	4/2000	Hellstrom	
D442,193	S *	5/2001	Isaksson	D15/139
6,238,133	B1	5/2001	DeRoche et al.	
6,508,612	B1	1/2003	Baca	
6,579,042	B1	6/2003	Shiraiwa	
D477,004	S *	7/2003	Arvidsson	D15/139
6,607,335	B2	8/2003	Morgulis	
7,021,871	B2	4/2006	Arvidsson et al.	
D523,039	S *	6/2006	Niebauer et al.	D15/139

7,168,895	B2	1/2007	Koskinen et al.	
7,458,753	B1	12/2008	Niebauer et al.	
7,578,639	B2	8/2009	Wiman et al.	
7,604,441	B2	10/2009	Bhagath	
7,607,868	B2	10/2009	Noggle	
2005/0152754	A1	7/2005	Wiman	
2005/0244233	A1 *	11/2005	Jonsson	407/116
2007/0071559	A1	3/2007	Koskinen	
2007/0245535	A1	10/2007	Noggle	
2008/0056831	A1	3/2008	Wiman	
2008/0317558	A1 *	12/2008	Niebauer et al.	407/114
2009/0052998	A1	2/2009	Sladek	
2009/0290946	A1 *	11/2009	Zastrozynski	407/114

(Continued)

FOREIGN PATENT DOCUMENTS

EP 0599393 A1 6/1994

(Continued)

Primary Examiner — Patricia Palasik

(74) *Attorney, Agent, or Firm* — Larry R. Meenan

(57) **CLAIM**

The ornamental design for a cutting insert, as shown and described.

DESCRIPTION

FIG. 1 is an isometric view of a cutting insert, in accordance with an aspect of the invention.

FIG. 2 is a top view of the cutting insert illustrated in FIG. 1, in accordance with an aspect of the invention.

FIG. 3 is a bottom view of the cutting insert illustrated in FIG. 1, in accordance with an aspect of the invention.

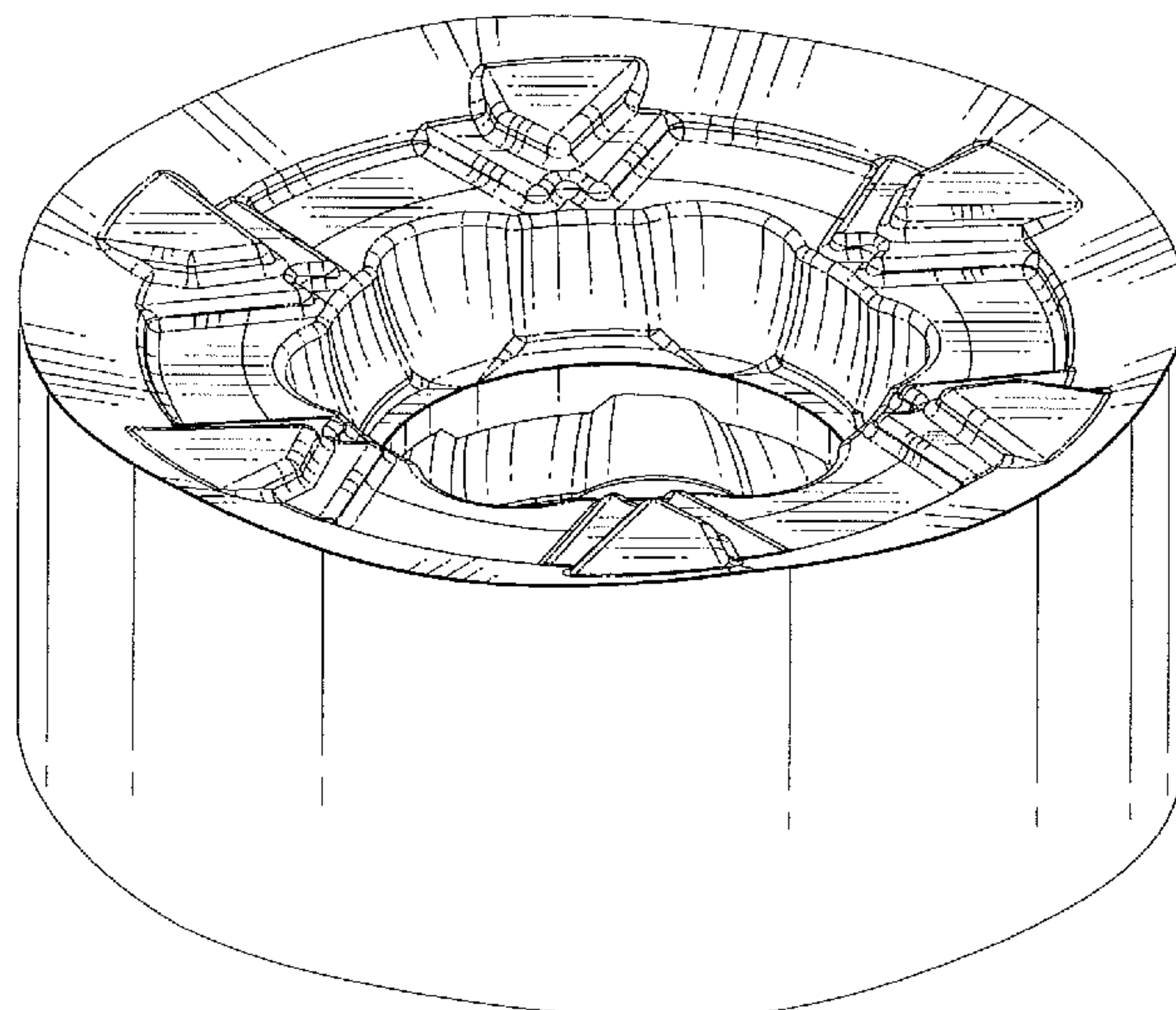
FIG. 4 is a front view of the cutting insert illustrated in FIG. 1, in accordance with an aspect of the invention.

FIG. 5 is a back view of the cutting insert illustrated in FIG. 1, in accordance with an aspect of the invention.

FIG. 6 is a right side view of the cutting insert illustrated in FIG. 1, in accordance with an aspect of the invention; and,

FIG. 7 is a left side view of the cutting insert illustrated in FIG. 1, in accordance with an aspect of the invention.

1 Claim, 5 Drawing Sheets



US D640,717 S

Page 2

U.S. PATENT DOCUMENTS

2010/0034602 A1* 2/2010 Sung et al. 407/113
2010/0158620 A1* 6/2010 Spitzenberger et al. 407/40
2010/0239379 A1* 9/2010 Choi et al. 407/114

FOREIGN PATENT DOCUMENTS

WO 2010017859 A1 2/2010

* cited by examiner

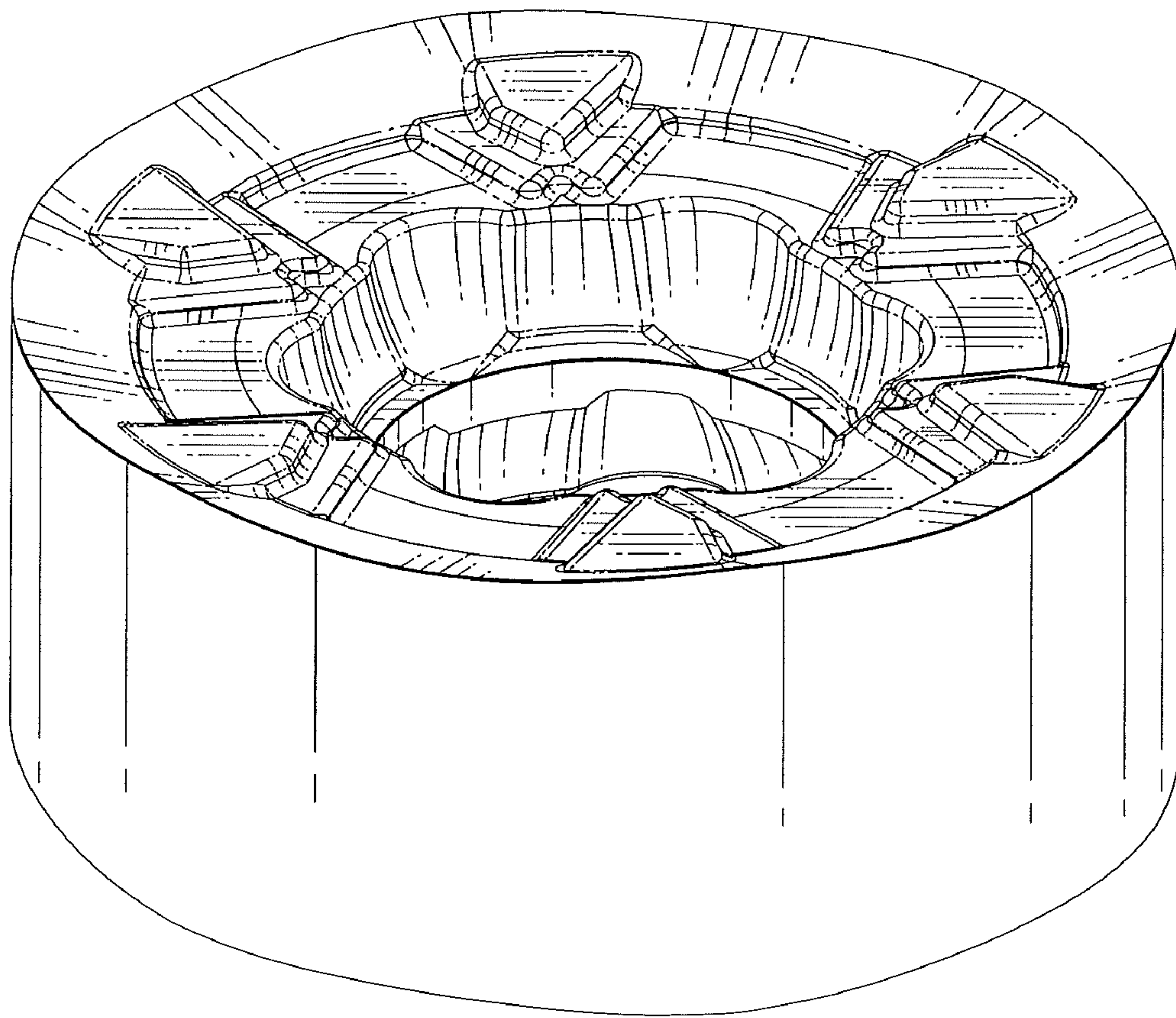


FIG. 1

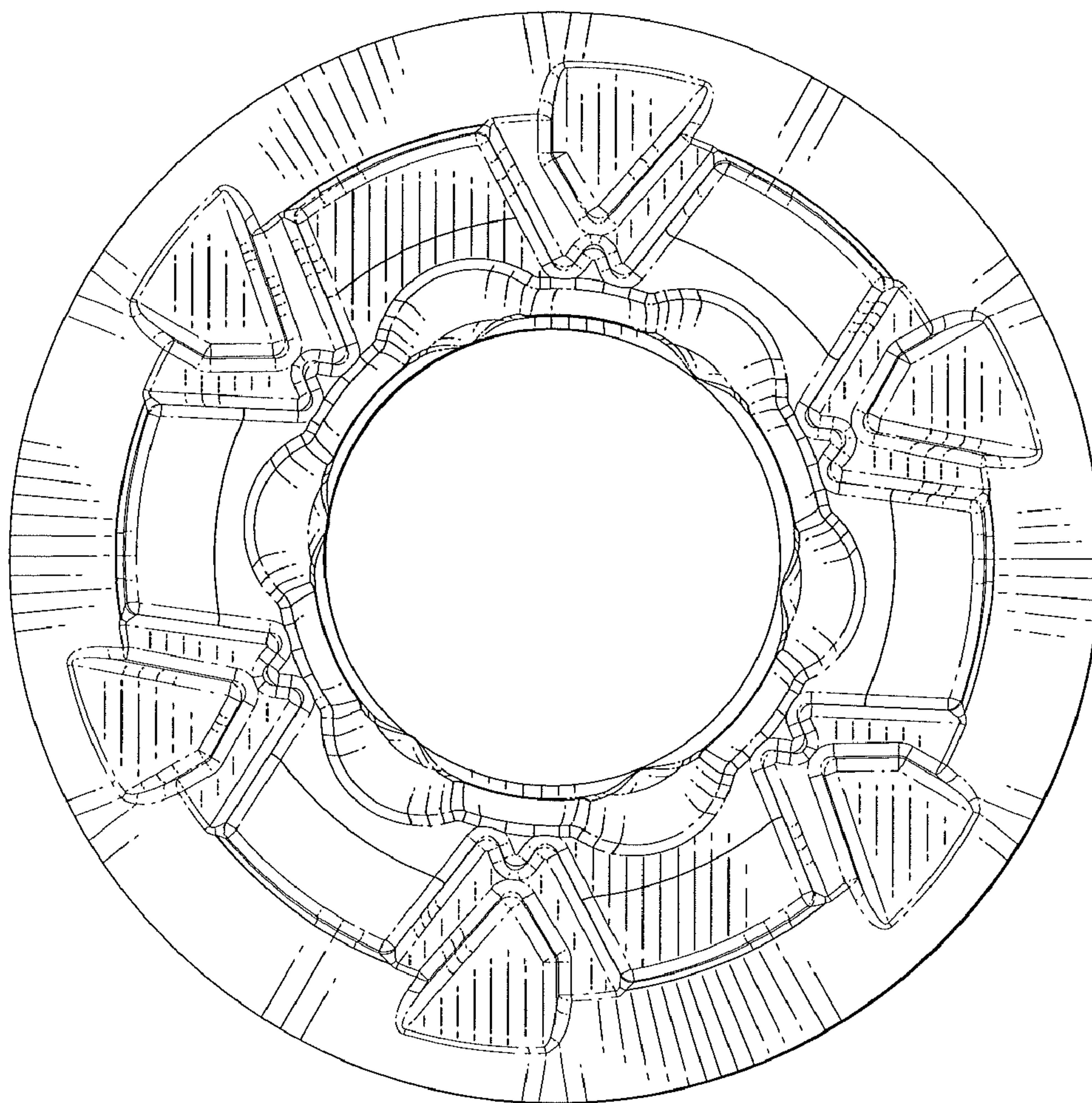


FIG. 2

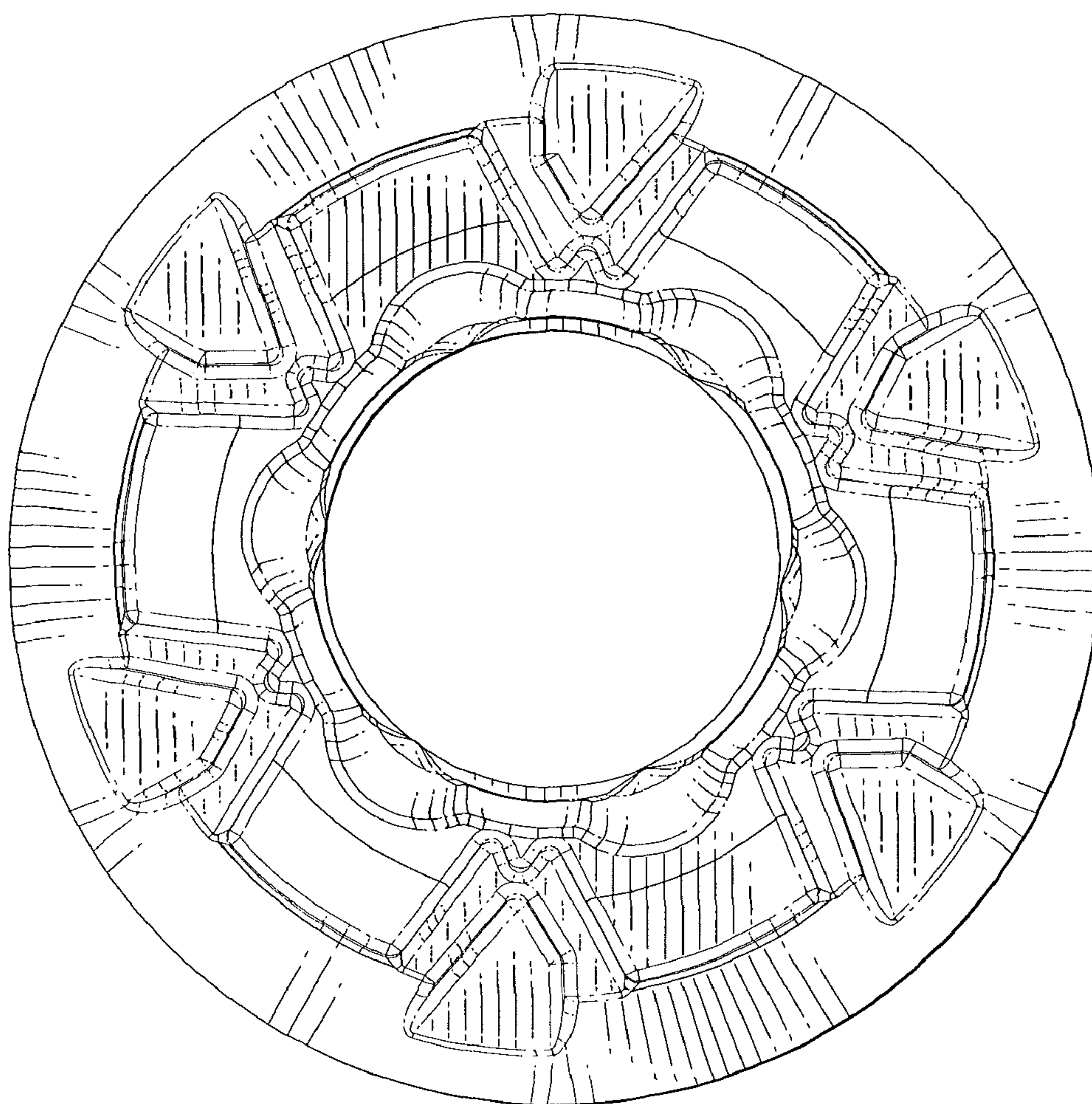


FIG. 3

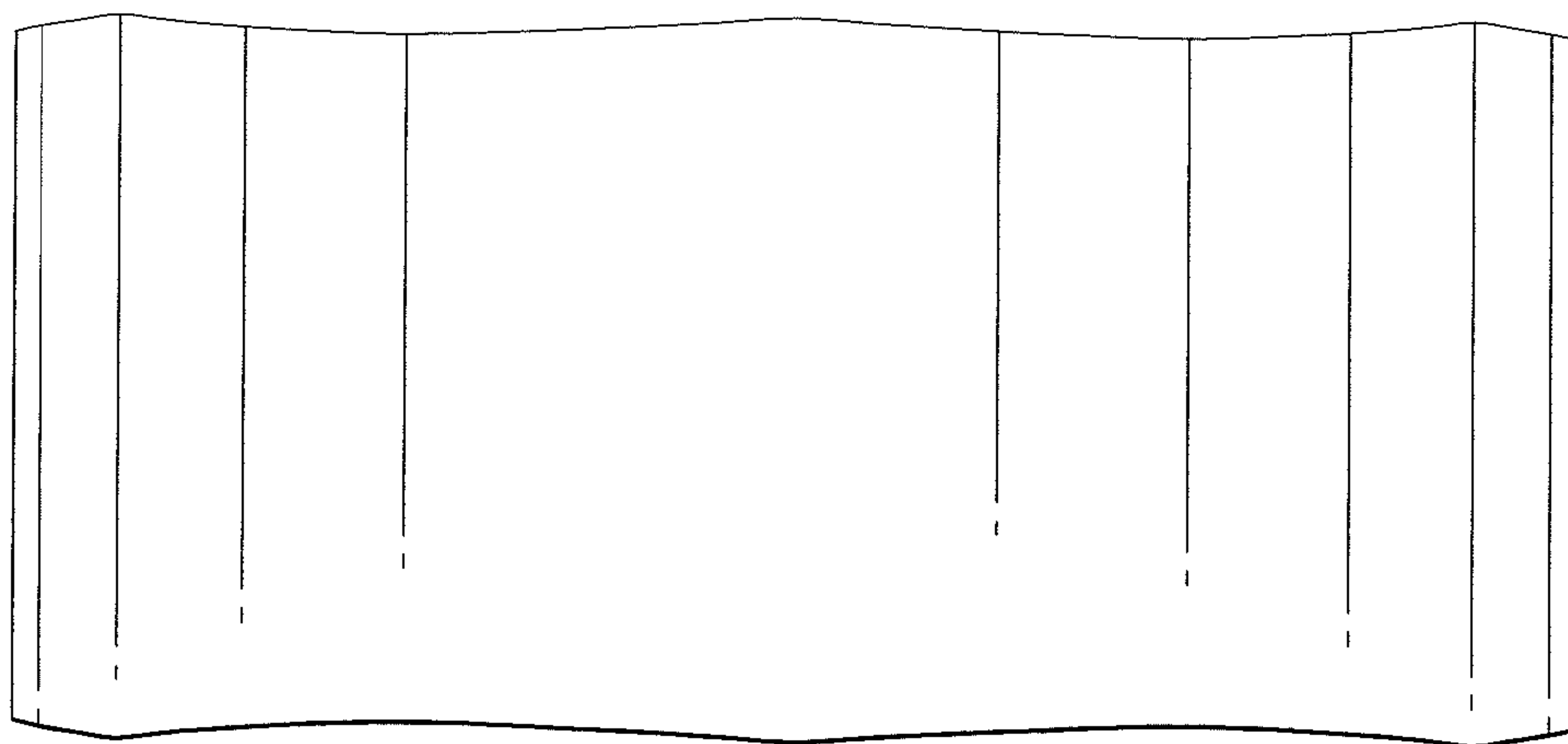


FIG. 4

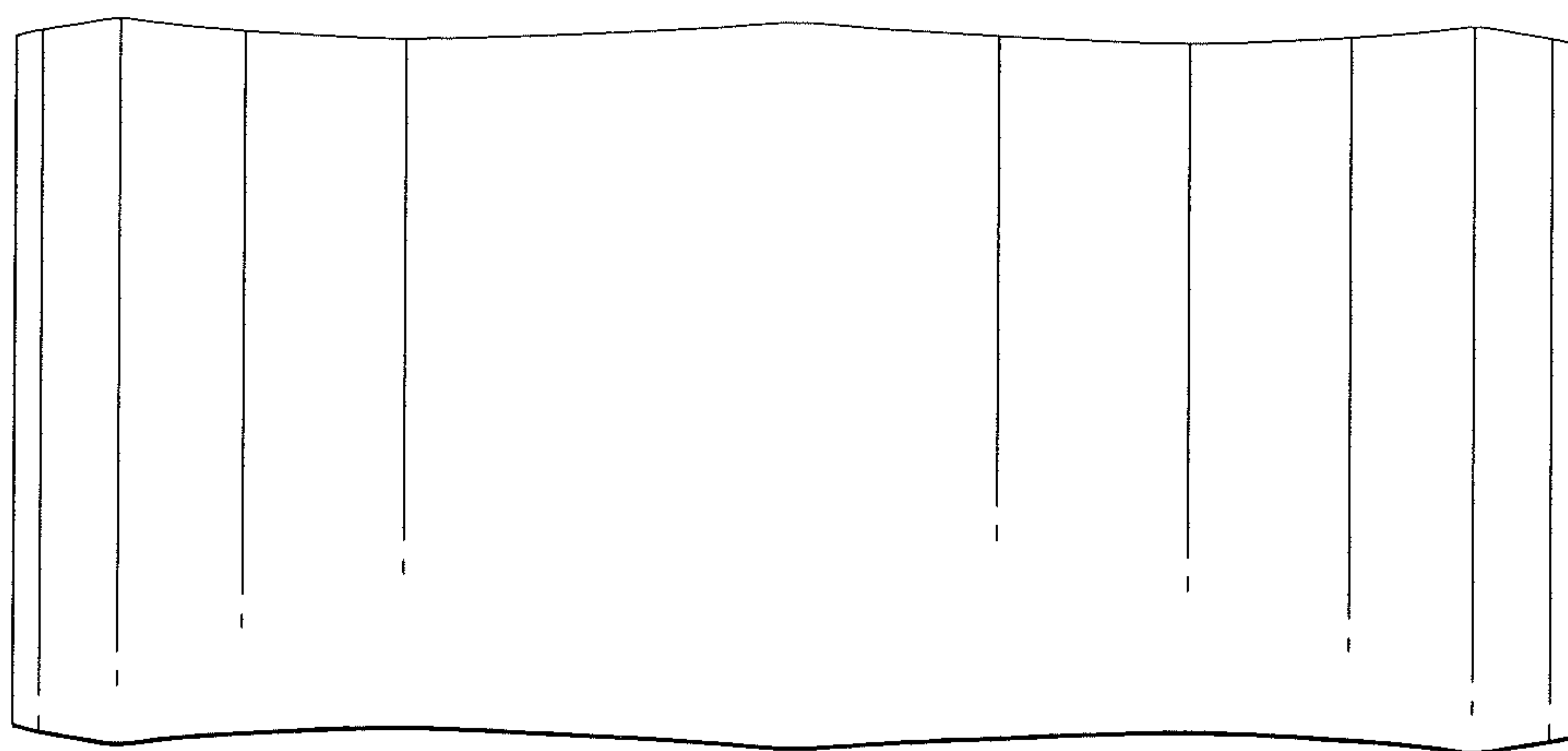


FIG. 5

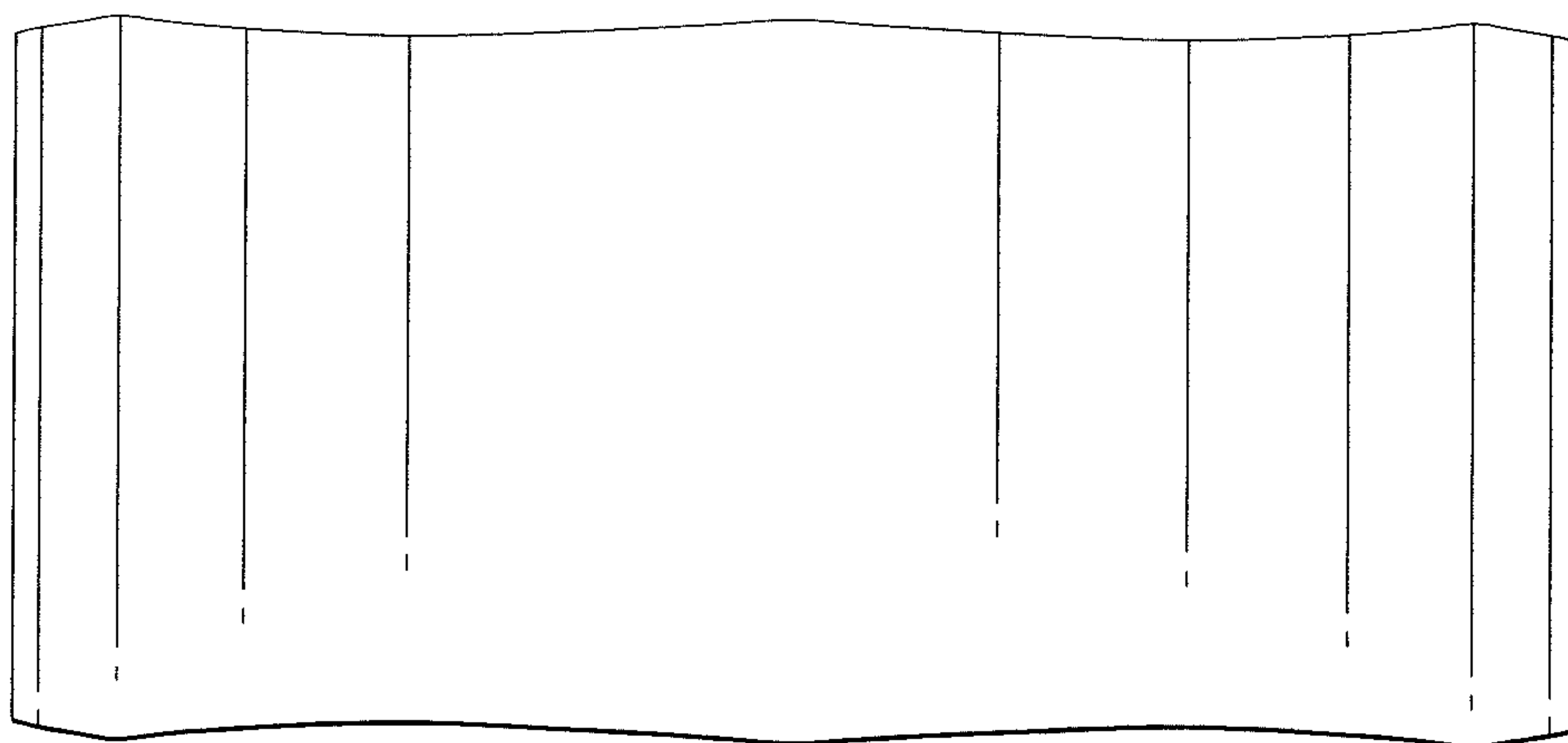


FIG. 6

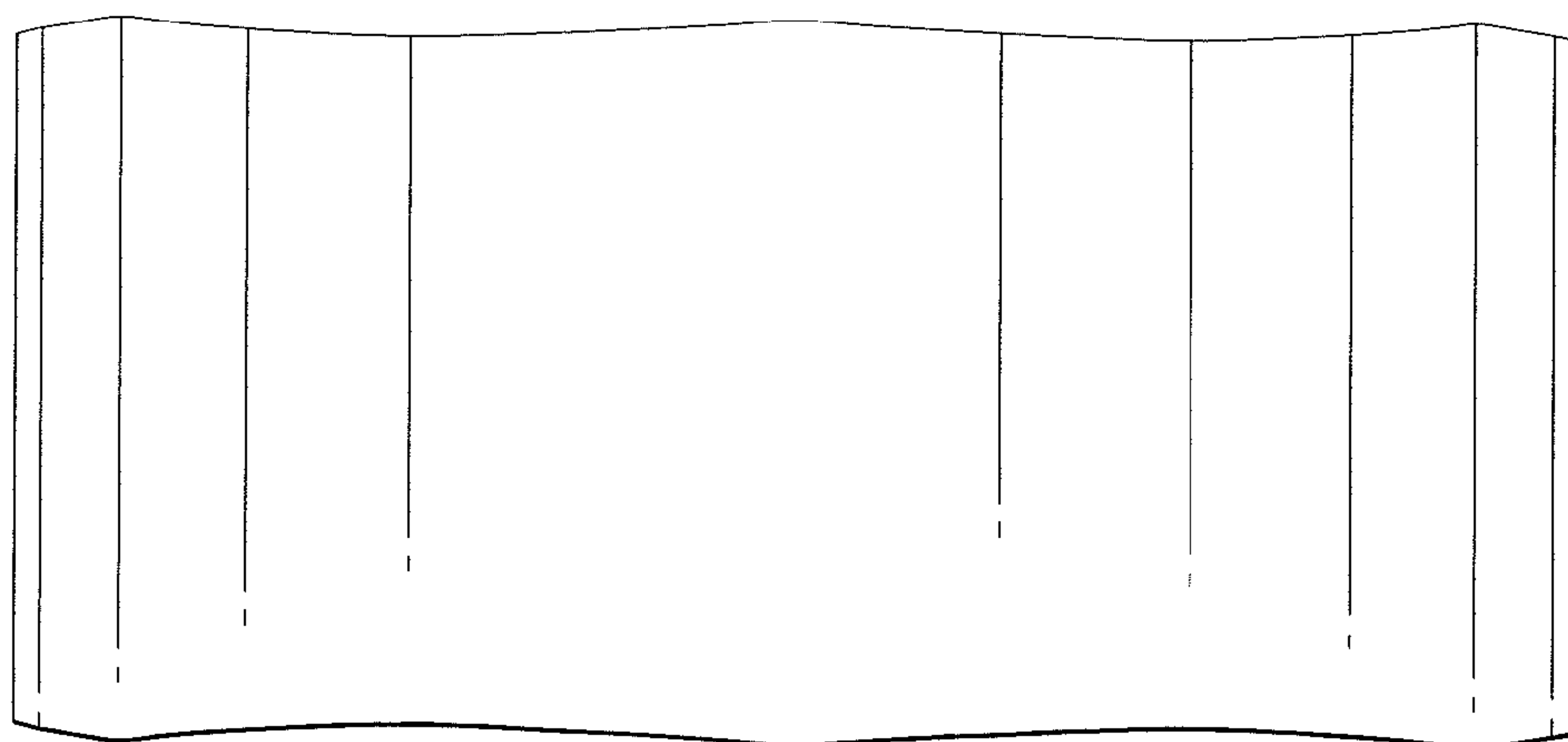


FIG. 7

UNITED STATES PATENT AND TRADEMARK OFFICE
CERTIFICATE OF CORRECTION

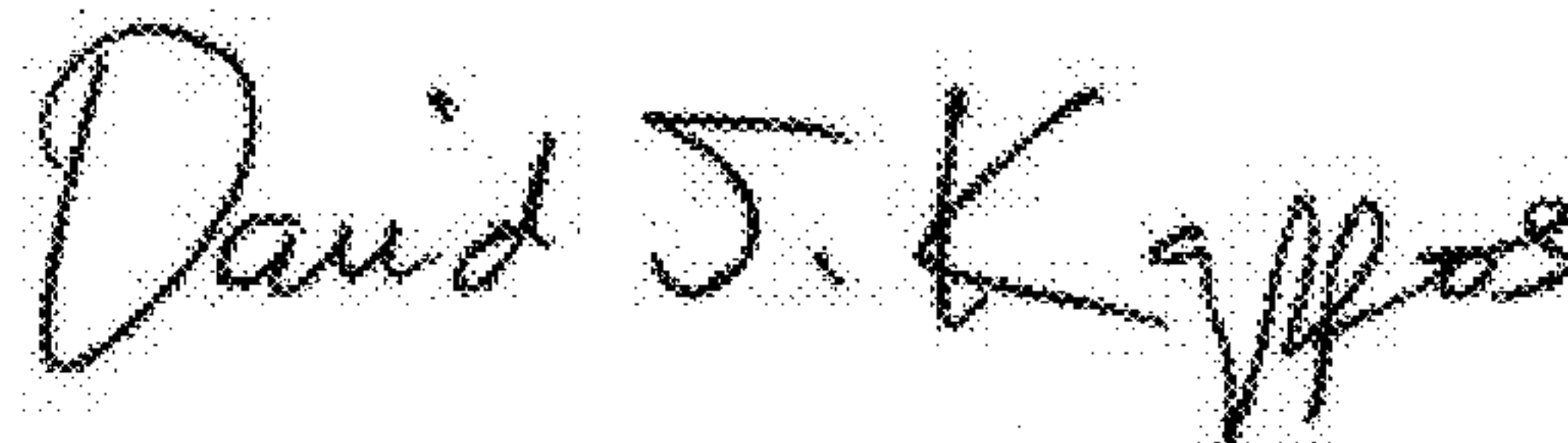
PATENT NO. : D640,717 S
APPLICATION NO. : 29/383536
DATED : June 28, 2011
INVENTOR(S) : Morrison et al.

Page 1 of 1

It is certified that error appears in the above-identified patent and that said Letters Patent is hereby corrected as shown below:

On the title page, item (75), under "Inventors", in Column 1, Line 6, delete "Banganlore" and insert -- Bangalore --, therefor.

Signed and Sealed this
Twentieth Day of September, 2011

A handwritten signature in black ink that reads "David J. Kappos". The signature is written in a cursive style with a large initial 'D' and 'K'.

David J. Kappos
Director of the United States Patent and Trademark Office