



US00D640709S

(12) **United States Design Patent**  
**Stoelinga**

(10) **Patent No.:** **US D640,709 S**  
(45) **Date of Patent:** **\*\* Jun. 28, 2011**

(54) **SUPPORT ARM**

(76) Inventor: **Dirk Jan Stoelinga**, Baaru (NL)

(\*\*) Term: **14 Years**

(21) Appl. No.: **29/345,121**

(22) Filed: **Oct. 9, 2009**

(30) **Foreign Application Priority Data**

Apr. 10, 2009 (EP) ..... 001120760-0001

(51) **LOC (9) Cl.** ..... **08-07**

(52) **U.S. Cl.** ..... **D14/452**

(58) **Field of Classification Search** ..... D14/447,  
D14/451, 452, 239, 432, 434, 439, 448, 457,  
D14/251, 253, 224, 224.1, 126, 127, 371,  
D14/373, 374, 375; D8/363, 373, 380; 248/917,  
248/918, 919, 920, 921, 922, 923, 924, 441.1,  
248/460, 122.1, 125.7, 371, 176.1, 176.3,  
248/222.52, 276.1, 324; 361/679.06, 679.04,  
361/679.21, 679.22, 679.56

See application file for complete search history.

(56) **References Cited**

**U.S. PATENT DOCUMENTS**

4,170,336 A 10/1979 Malis  
5,332,181 A 7/1994 Schweizer et al.  
D505,858 S \* 6/2005 O'Keene ..... D8/355  
D558,561 S \* 1/2008 Ciungan ..... D8/363  
D558,563 S \* 1/2008 Ciungan ..... D8/363

D559,087 S \* 1/2008 Ciungan ..... D8/363  
D559,088 S \* 1/2008 Ciungan ..... D8/363  
D560,673 S \* 1/2008 Muday et al. .... D14/451  
D562,113 S \* 2/2008 Ciungan et al. .... D8/363  
D569,381 S \* 5/2008 Sculler et al. .... D14/452  
7,513,474 B2 \* 4/2009 Anderson et al. .... 248/284.1  
D623,654 S \* 9/2010 Hau et al. .... D14/452  
2008/0029669 A1 \* 2/2008 Olah et al. .... 248/276.1  
2008/0035816 A1 \* 2/2008 Ciungan ..... 248/276.1

**FOREIGN PATENT DOCUMENTS**

EP 1 471 300 A2 10/2004

\* cited by examiner

*Primary Examiner* — Angela Lee

(74) *Attorney, Agent, or Firm* — Morgan, Lewis & Bockius LLP

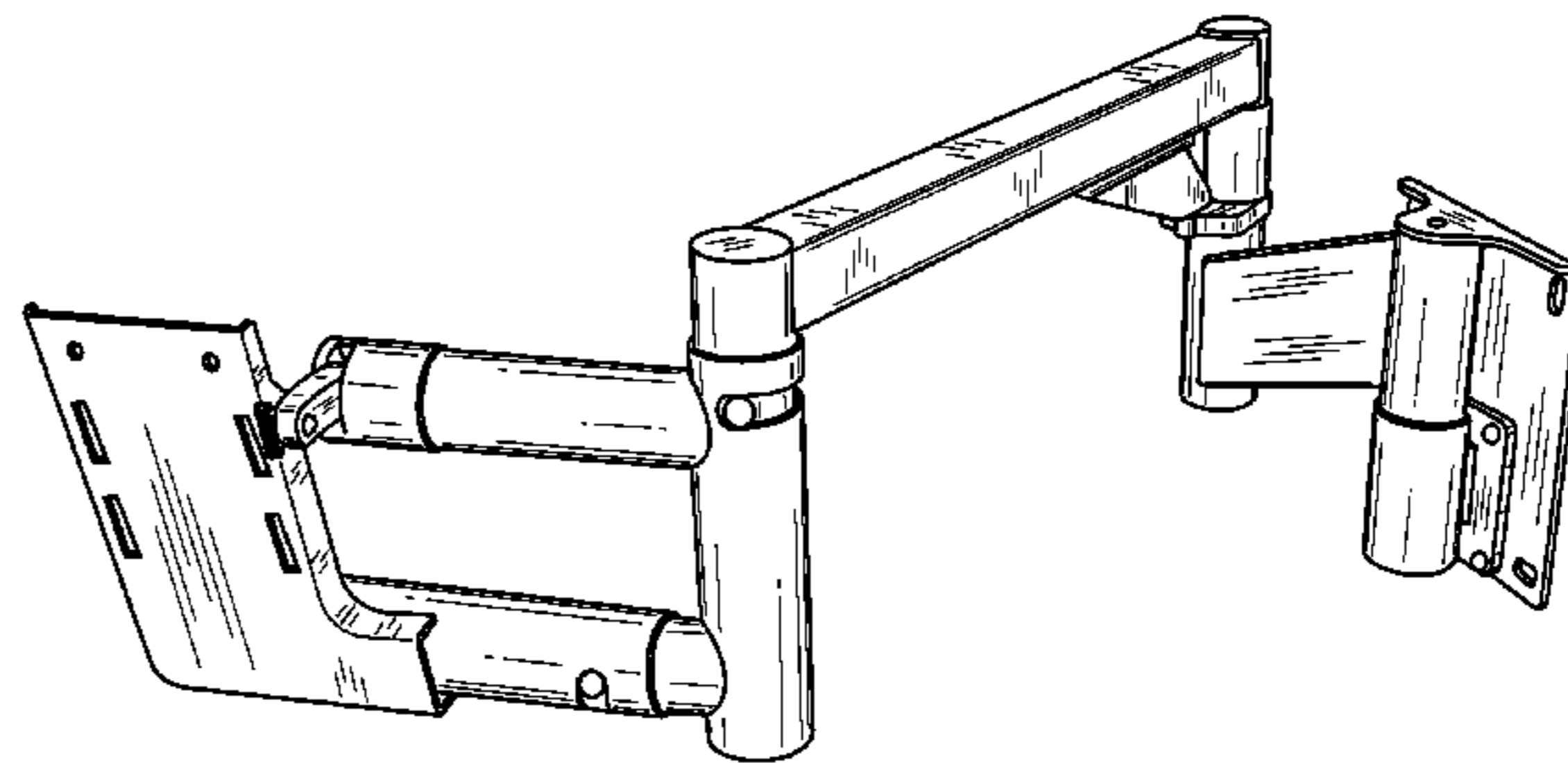
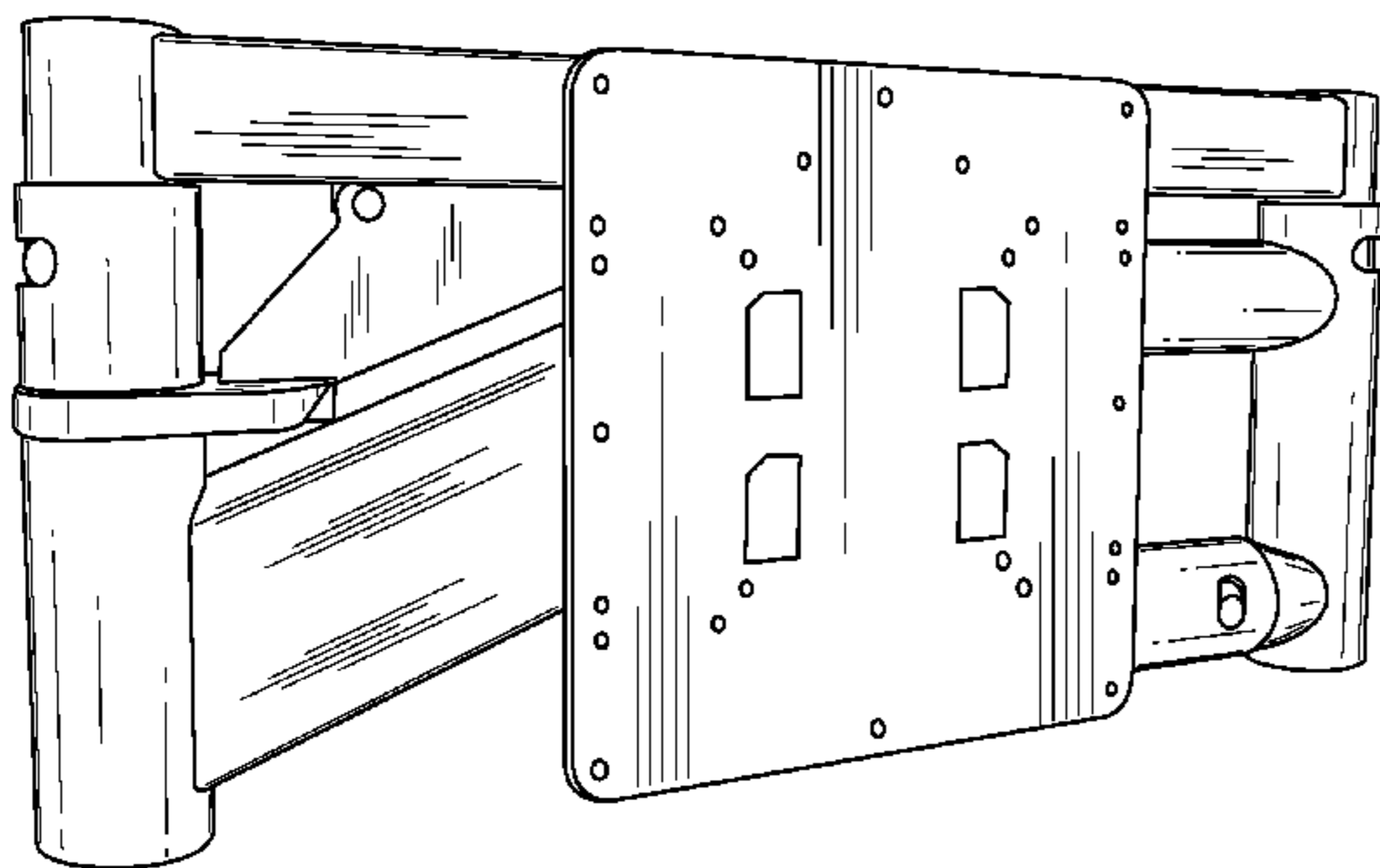
(57) **CLAIM**

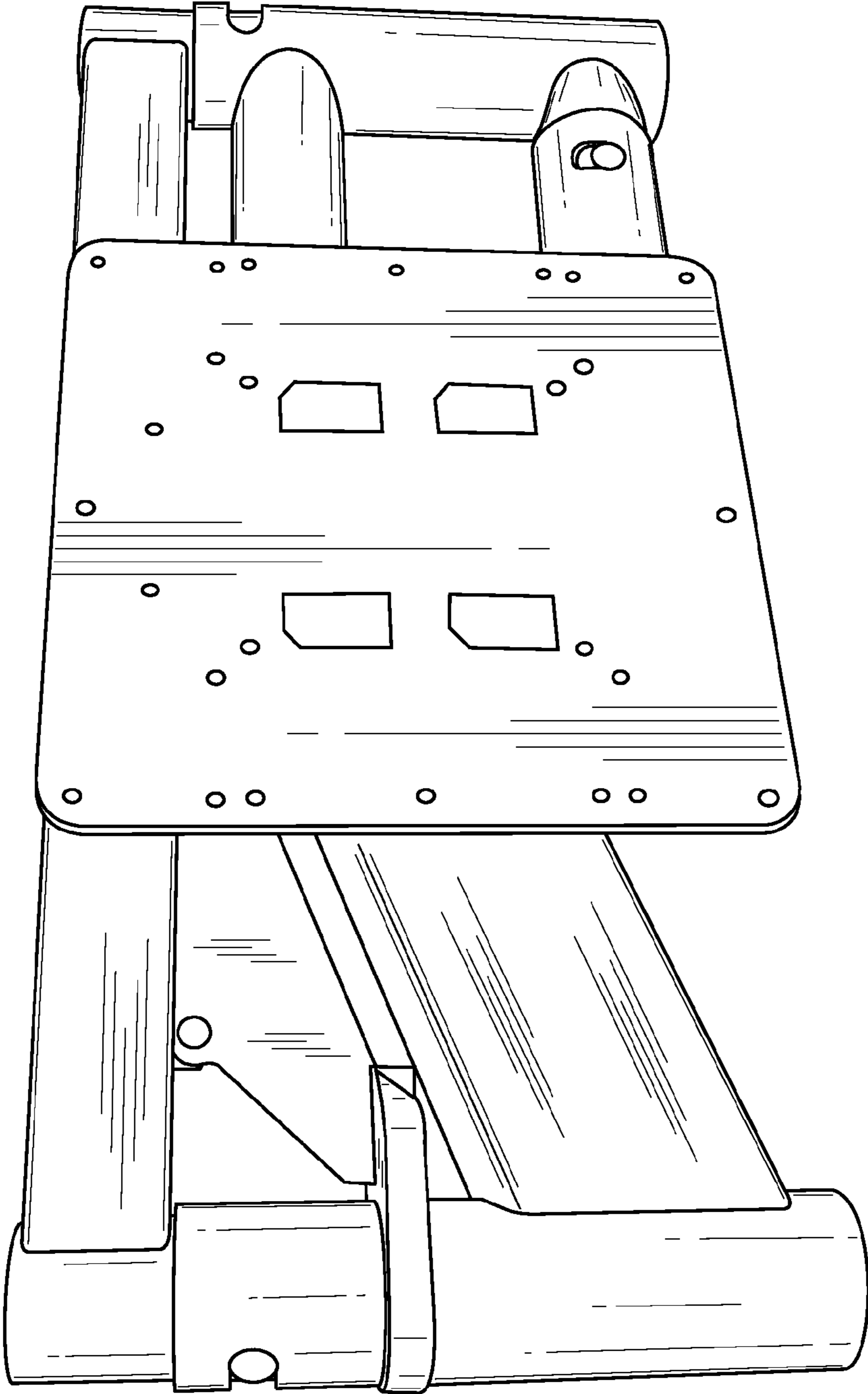
The ornamental design for a support arm, as shown and described.

**DESCRIPTION**

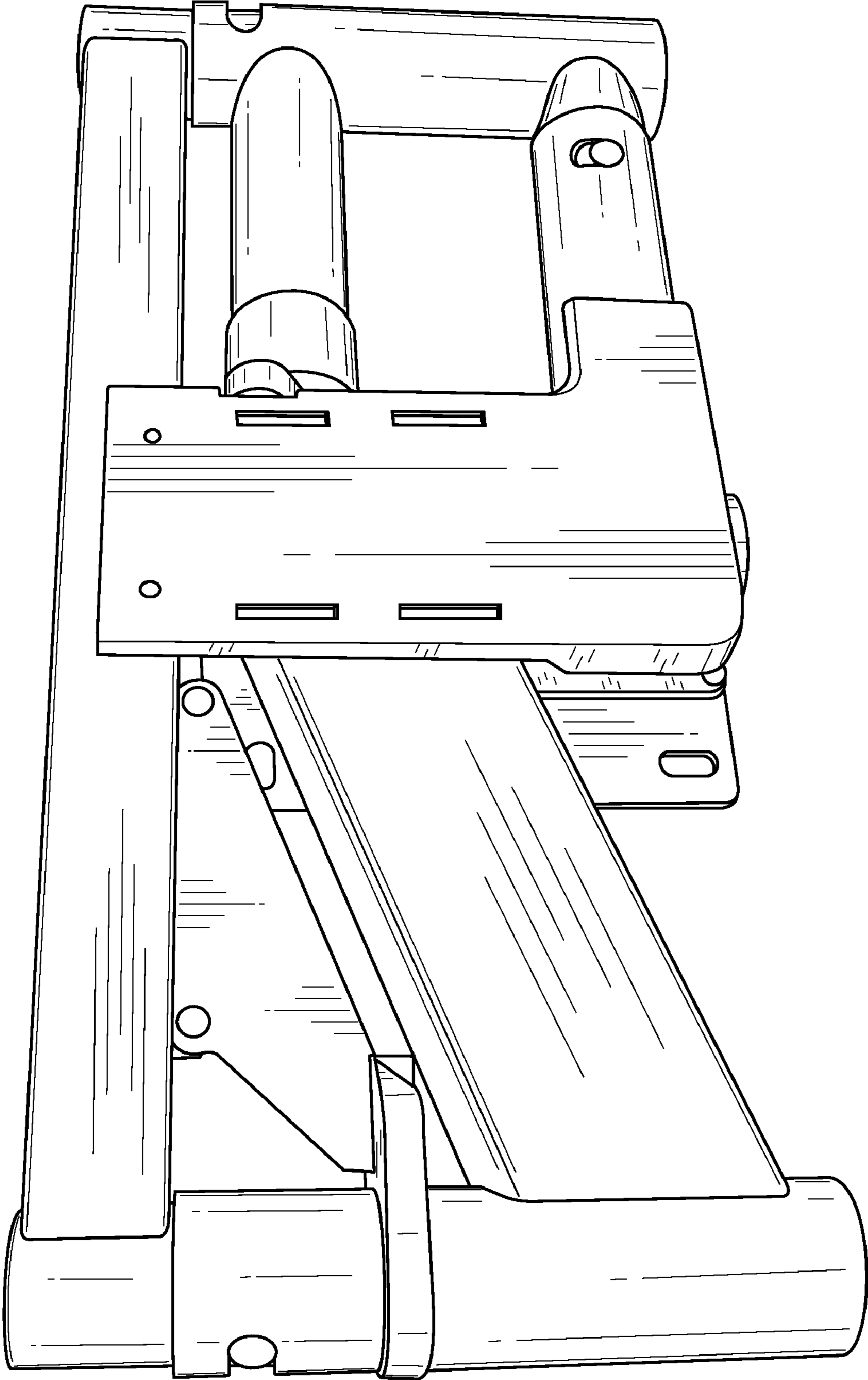
FIG. 1 is a side front perspective view of a support arm in accordance with the invention;  
FIG. 2 is rear view thereof;  
FIG. 3 is a bottom view thereof;  
FIG. 4 is a front view thereof;  
FIG. 5 is a side view thereof;  
FIG. 6 is a side view thereof in an extended and adjusted position; and,  
FIG. 7 is a rear view thereof in an extended and adjusted position.

**1 Claim, 7 Drawing Sheets**

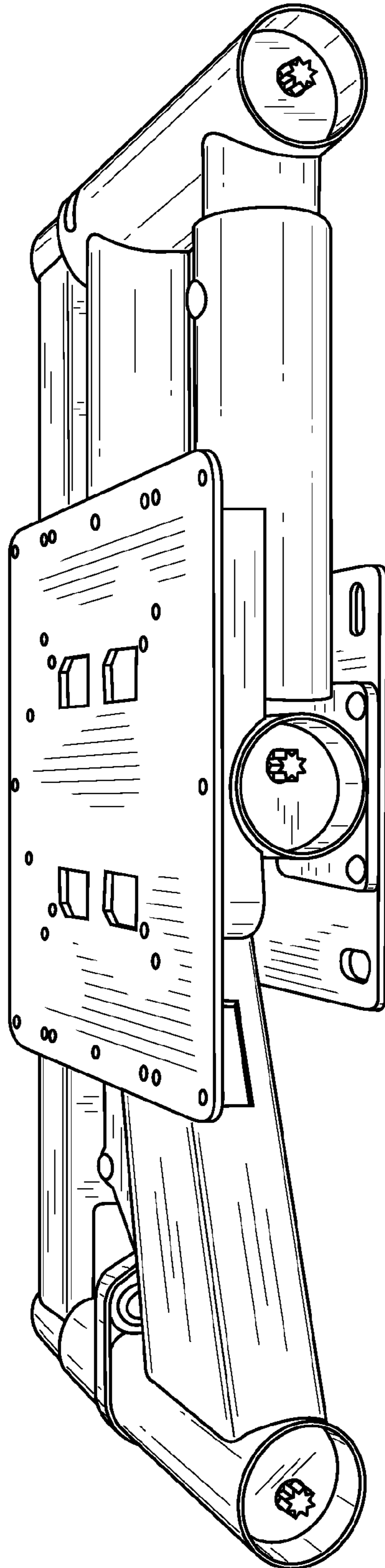




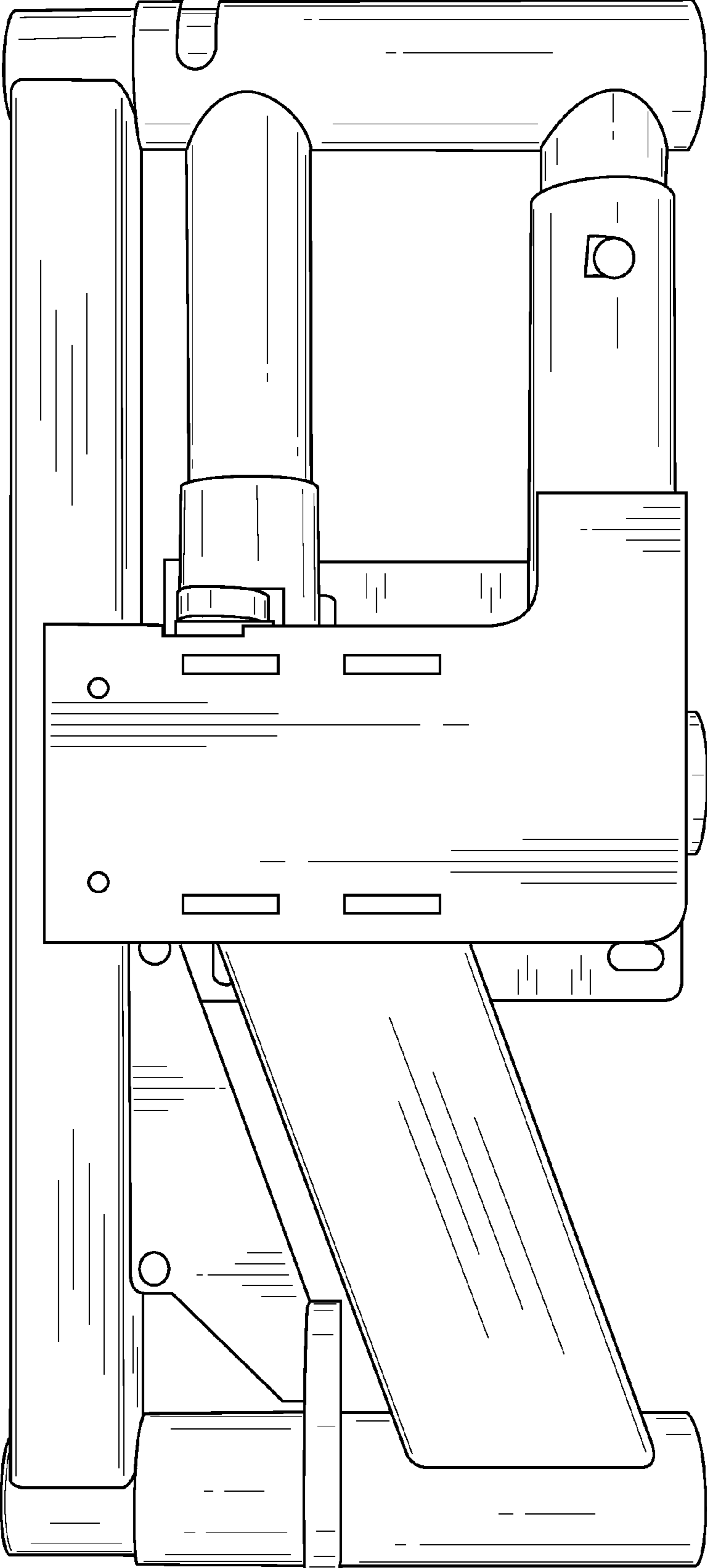
**FIG. 1**



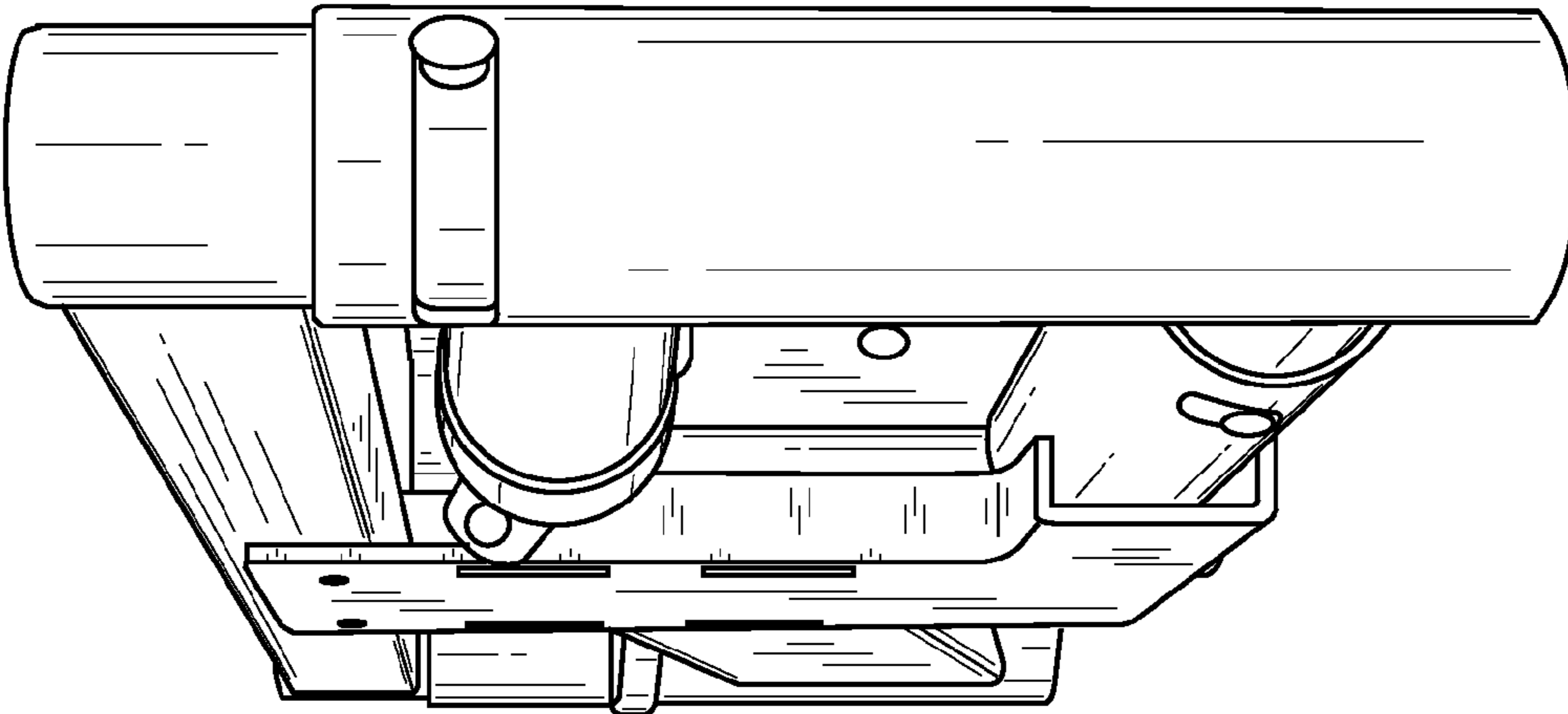
**FIG. 2**



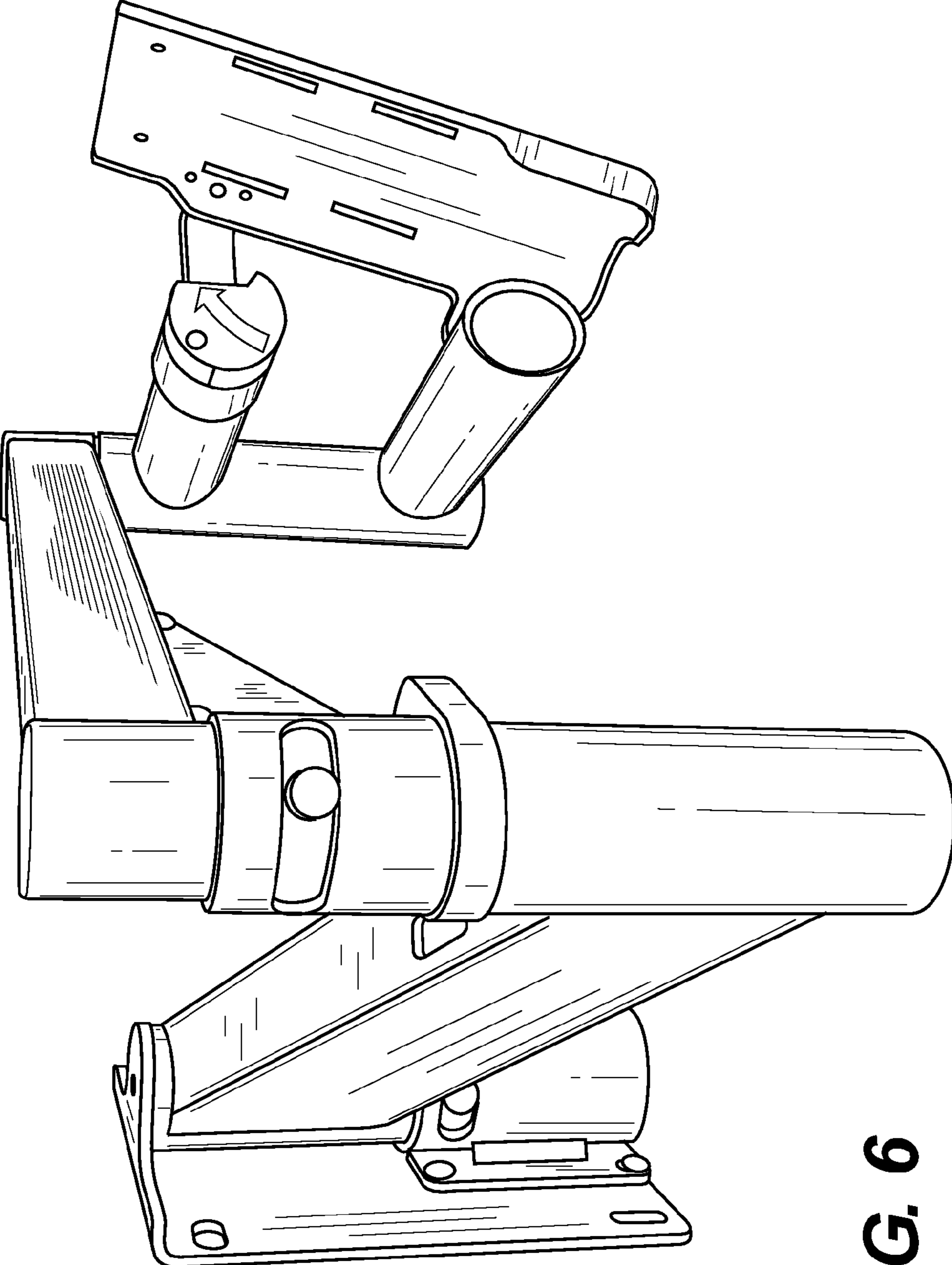
**FIG. 3**



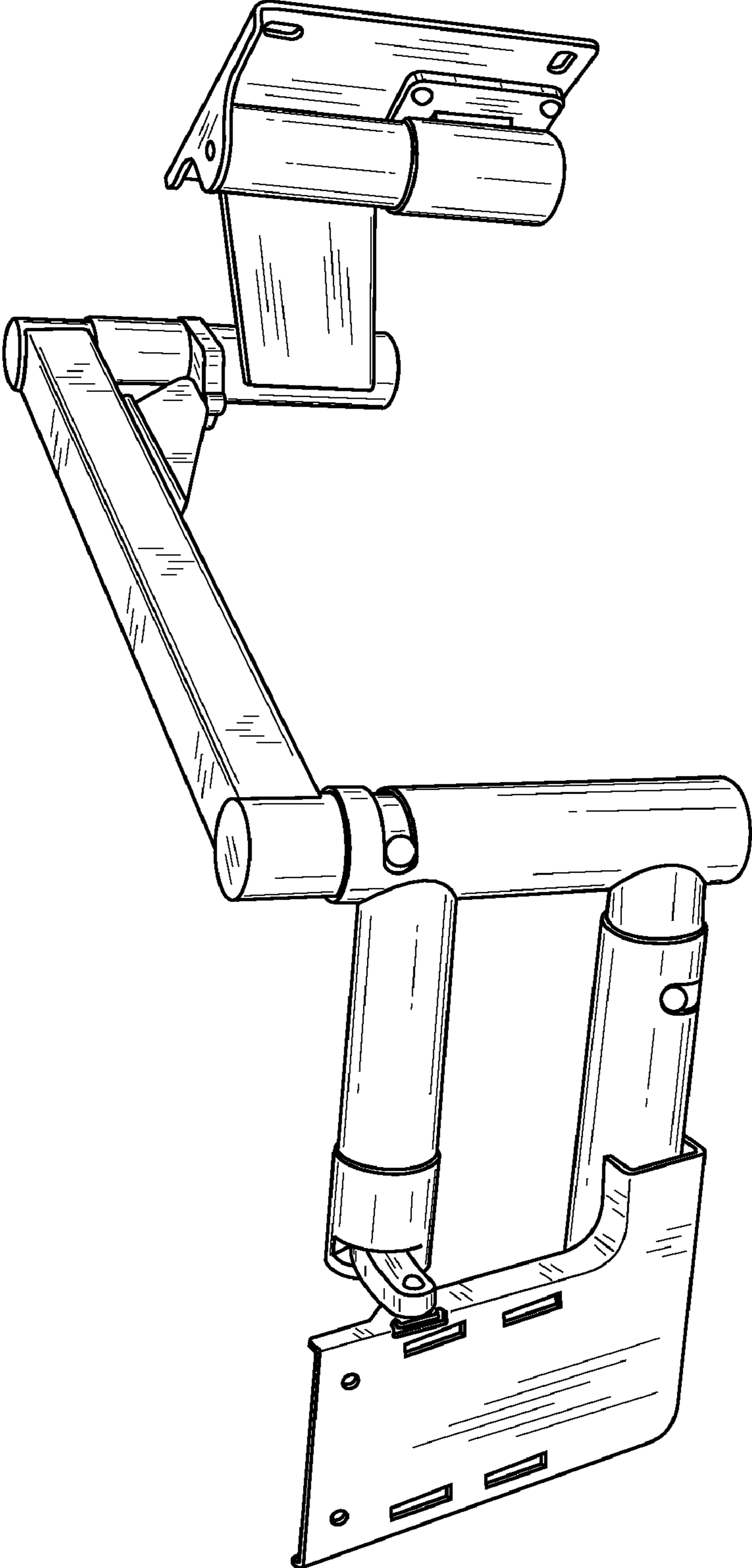
**FIG. 4**



**FIG. 5**



**FIG. 6**



**FIG. 7**