

US00D640707S

(12) **United States Design Patent**
Yeh

(10) **Patent No.:** **US D640,707 S**
(45) **Date of Patent:** **** Jun. 28, 2011**

(54) **TABLET PERSONAL COMPUTER STAND**

(76) Inventor: **Yu-Chu Yeh**, Taipei County (TW)

(**) Term: **14 Years**

(21) Appl. No.: **29/379,576**

(22) Filed: **Nov. 22, 2010**

(51) **LOC (9) Cl.** **08-07**

(52) **U.S. Cl.** **D14/447**

(58) **Field of Classification Search** D14/447,
D14/451, 452, 373, 374, 375, 376, 432, 434,
D14/439, 448, 457, 126, 127, 129, 203.8,
D14/217, 224, 224.1, 238.1, 239, 251, 253;
D8/363, 373, 380; D6/406.1, 406.2, 406.3,
D6/406.4, 406.5, 406.6, 429, 462; 248/917-924,
248/441.1, 443, 445, 446, 447, 447.1, 453,
248/454, 455, 460, 463, 465.1, 472, 131,
248/150, 155.2, 155.4, 166, 434, 188.6, 346.3,
248/324; 361/679.02, 679.04, 679.06, 679.07,
361/679.09, 679.21, 679.26, 679.27, 679.3,
361/679.55, 379.56; 379/454, 455; 312/223.3
See application file for complete search history.

(56) **References Cited**

U.S. PATENT DOCUMENTS

D557,259 S * 12/2007 Hirsch D14/217
D560,068 S * 1/2008 Dixon et al. D3/218

D564,220 S * 3/2008 Dixon D3/218
D585,897 S * 2/2009 Carnevali D14/434
D592,188 S * 5/2009 Huang D14/217
D602,913 S * 10/2009 Han et al. D14/217
D610,587 S * 2/2010 Bandringa D14/447
D614,613 S * 4/2010 Kim et al. D14/253
D626,129 S * 10/2010 Lutz D14/447
D626,964 S * 11/2010 Richardson et al. D14/447
D630,222 S * 1/2011 Lin D14/447
2010/0090085 A1 * 4/2010 Corrion 248/459
2010/0294908 A1 * 11/2010 Mish et al. 248/451

* cited by examiner

Primary Examiner — Angela J Lee

(74) *Attorney, Agent, or Firm* — Bacon & Thomas, PLLC

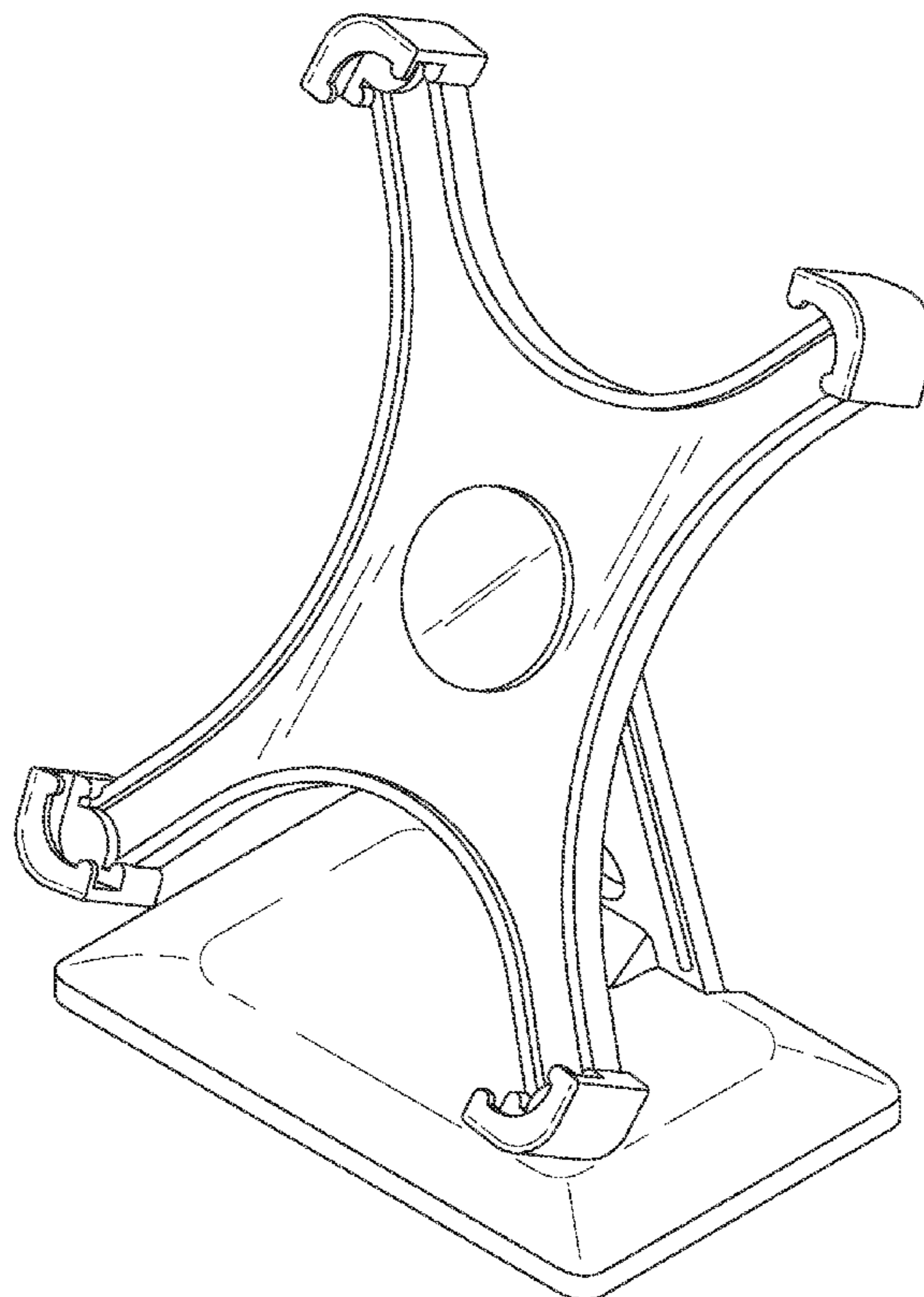
(57) **CLAIM**

The ornamental design for a tablet personal computer stand, as shown.

DESCRIPTION

FIG. 1 is a perspective view of a tablet personal computer stand showing my new design;
FIG. 2 is a front elevational view thereof;
FIG. 3 is a rear elevational view thereof;
FIG. 4 is a left side elevational view thereof;
FIG. 5 is a right side elevational view thereof;
FIG. 6 is a top plan view thereof; and,
FIG. 7 is a bottom plan view thereof.

1 Claim, 6 Drawing Sheets



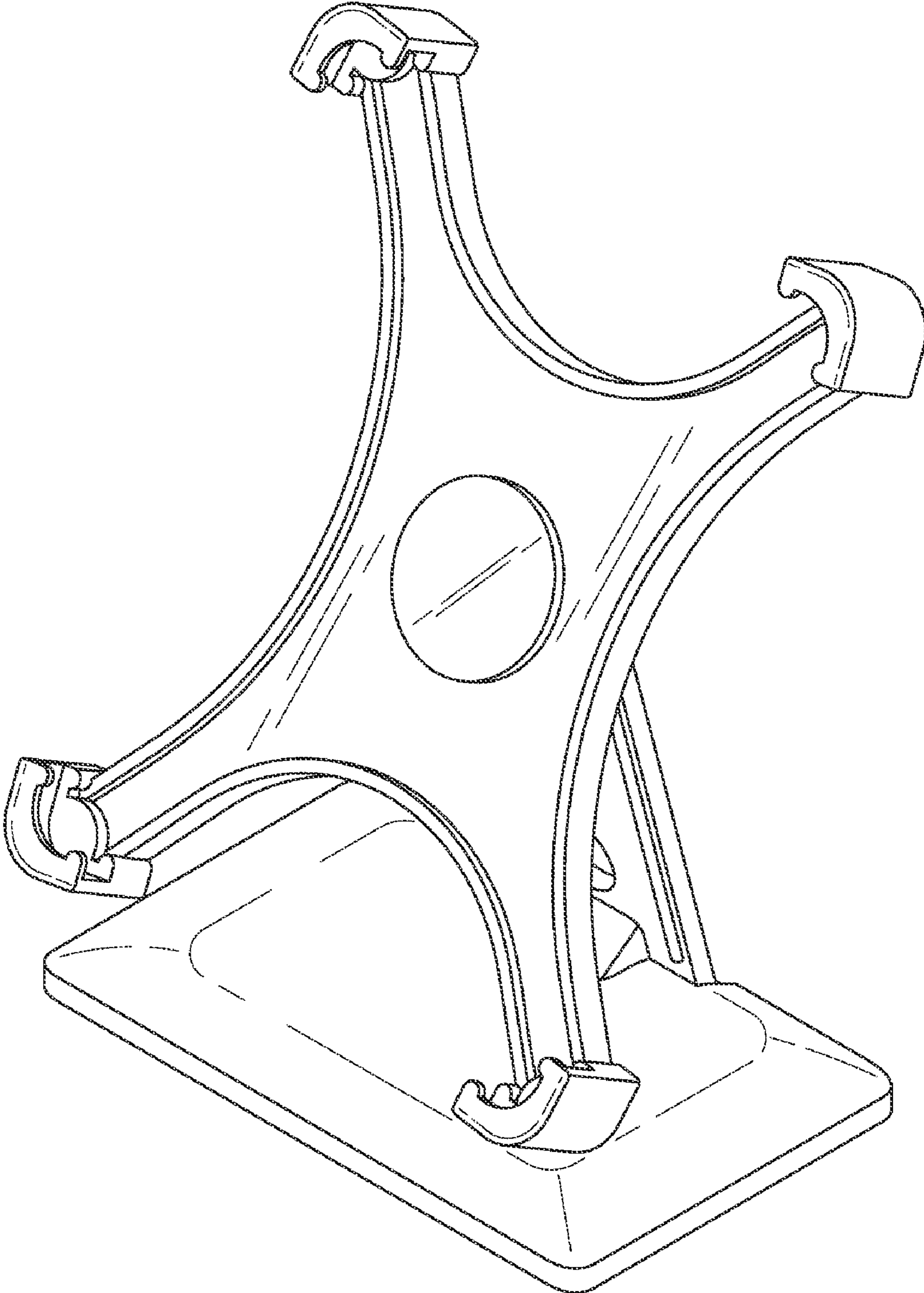


FIG. 1

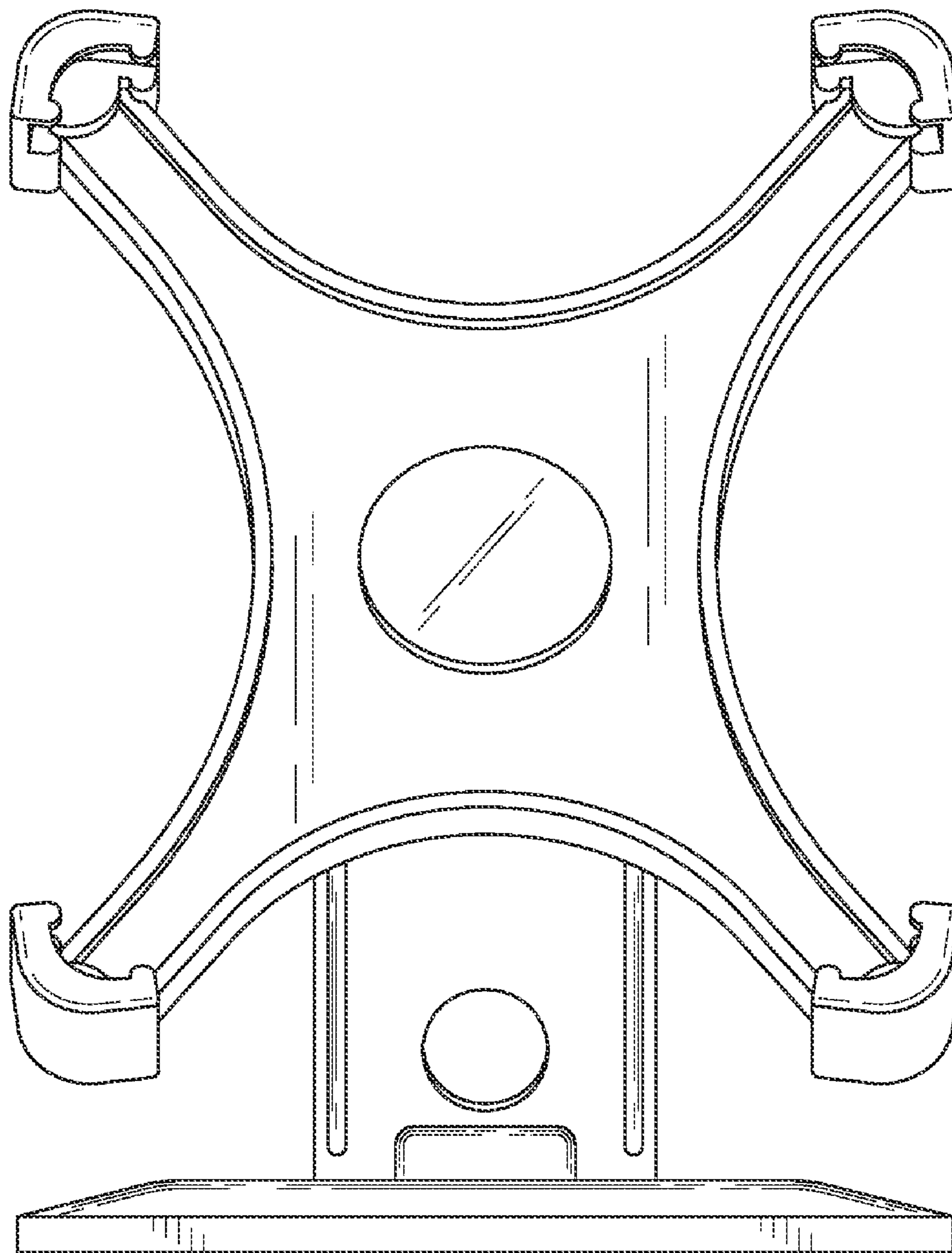


FIG. 2

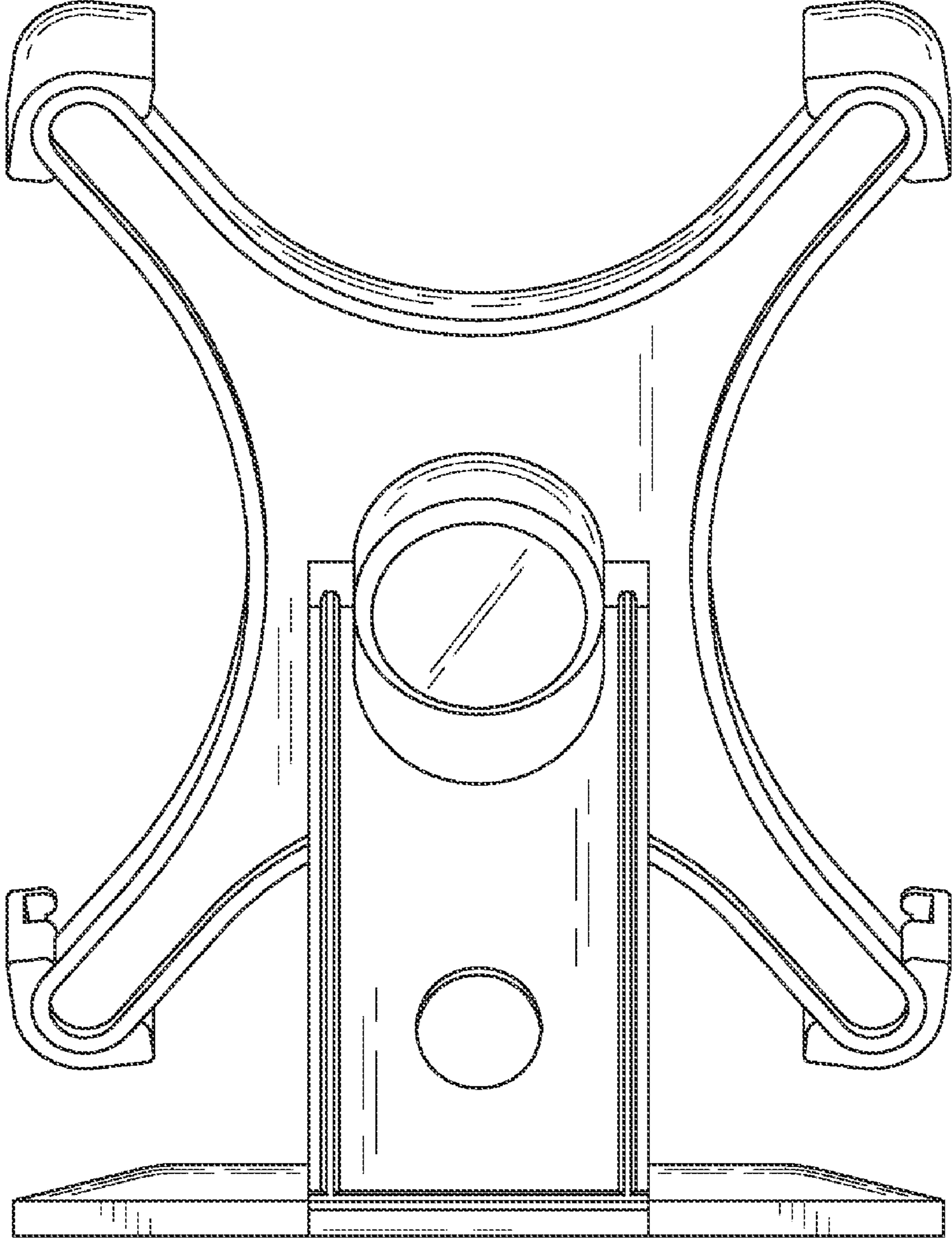


FIG. 3

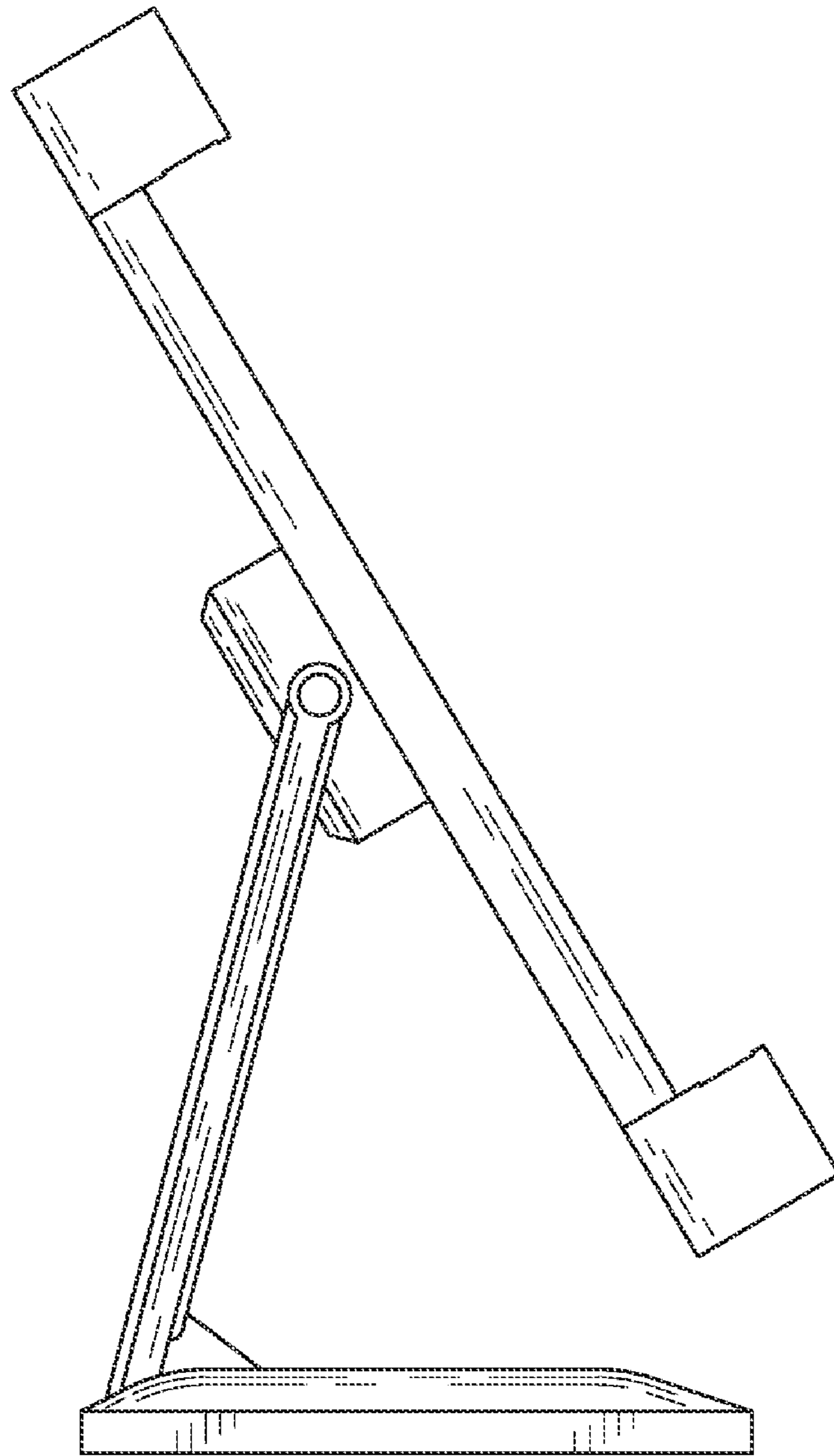


FIG. 4

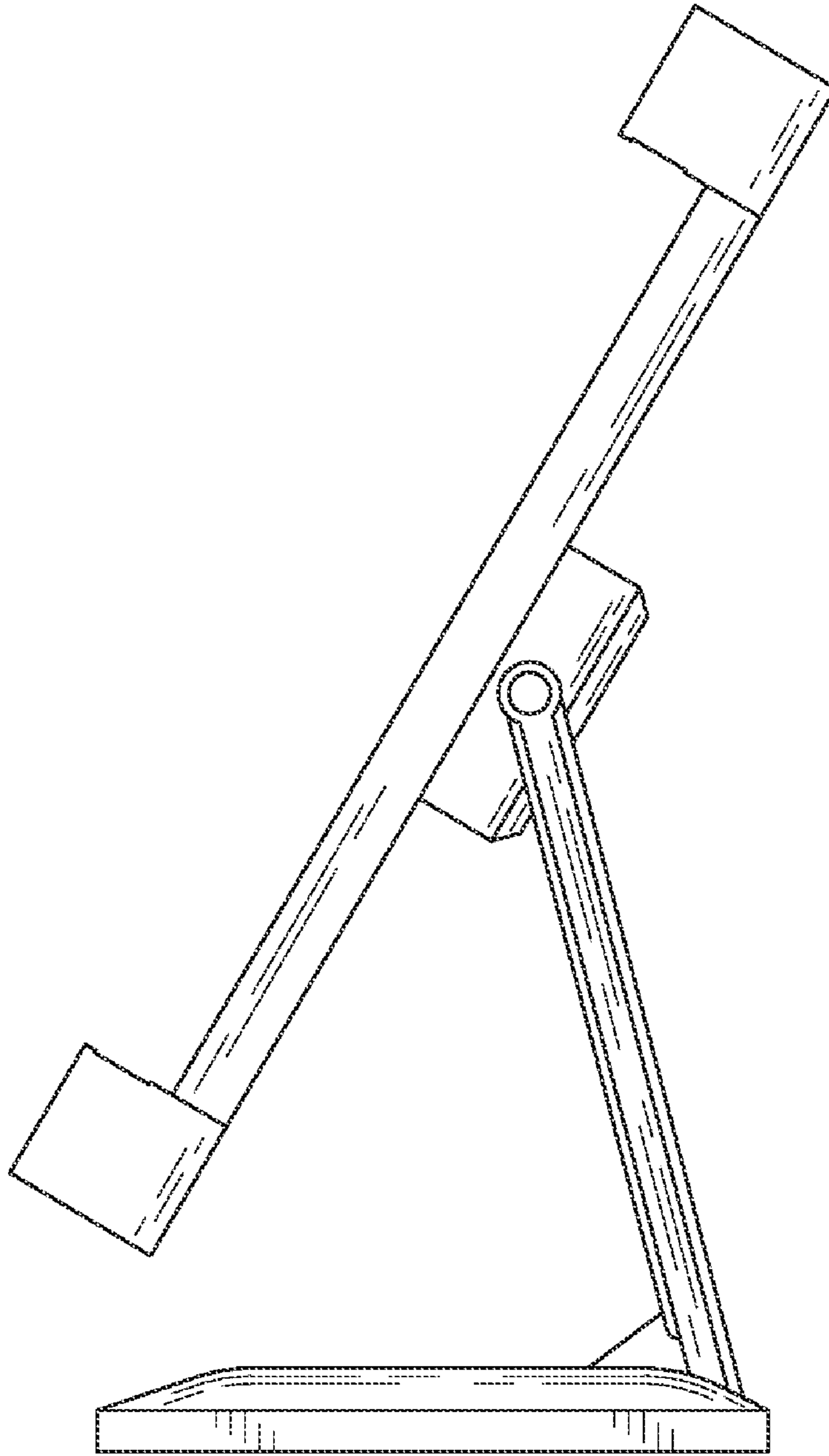


FIG. 5

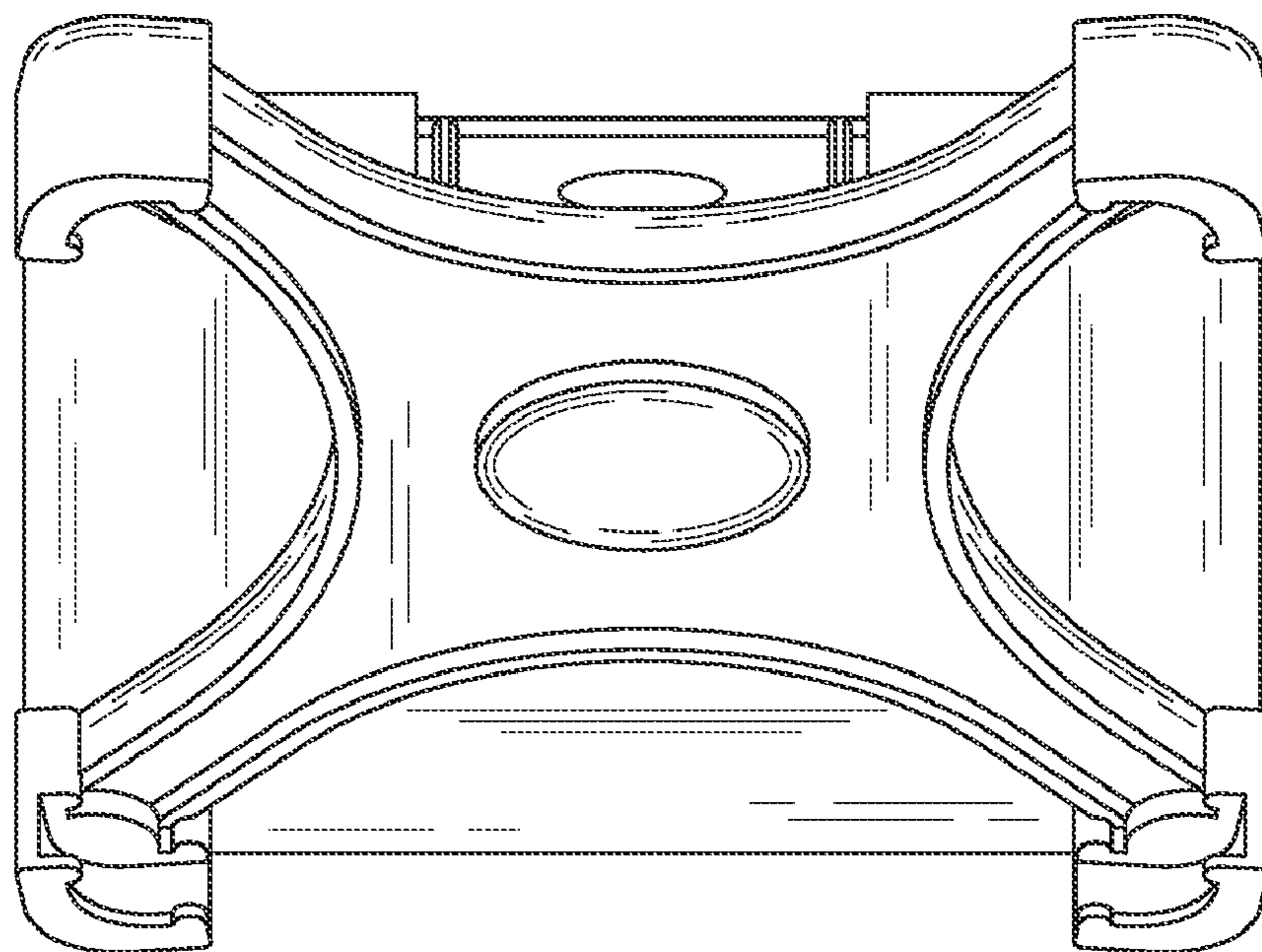


FIG. 6

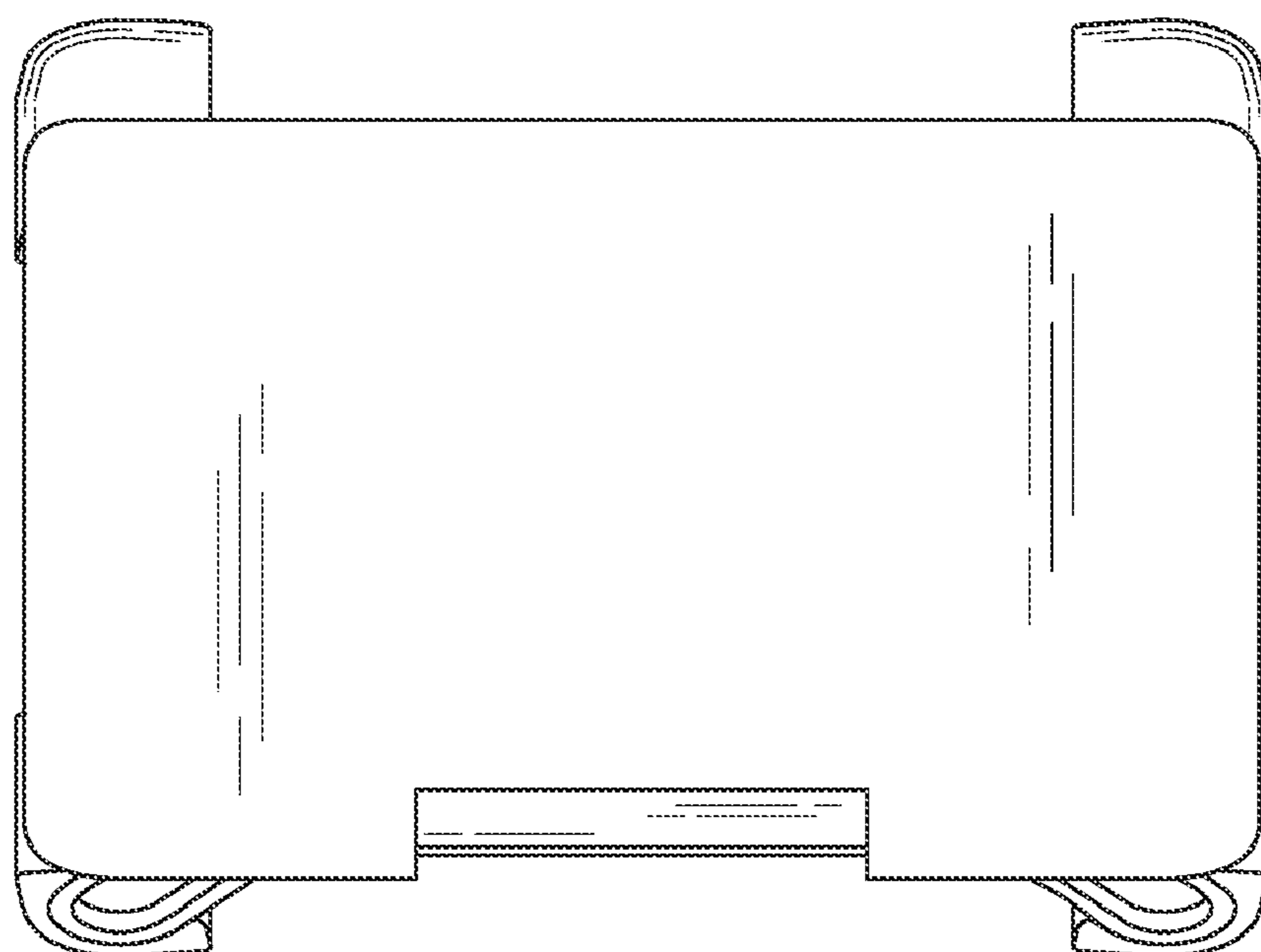


FIG. 7