



US00D640706S

(12) **United States Design Patent**
Derry et al.

(10) **Patent No.:** **US D640,706 S**
(45) **Date of Patent:** **** Jun. 28, 2011**

(54) **ADJUSTABLE SUPPORT FOOT**

(75) Inventors: **Bradley A. Derry**, Easton, PA (US);
Stephen J. Bowman, Allentown, PA
(US); **David VanDuzer**, Slatington, PA
(US)

(73) Assignee: **Innovative Office Products, Inc.**,
Easton, PA (US)

(**) Term: **14 Years**

(21) Appl. No.: **29/377,825**

(22) Filed: **Oct. 26, 2010**

(51) **LOC (9) Cl.** **08-07**

(52) **U.S. Cl.** **D14/447**

(58) **Field of Classification Search** D14/447,
D14/451, 452, 373, 374, 375, 376, 432, 434,
D14/439, 448, 457, 126, 127, 129, 203.8,
D14/217, 224, 224.1, 238.1, 239, 251, 253;
D8/363, 373, 380; D6/406.1, 406.2, 406.3,
D6/406.4, 406.5, 406.6, 429, 462; 248/917-924,
248/441.1, 443, 445, 446, 447, 447.1, 453,
248/454, 455, 460, 463, 465.1, 472, 131,
248/150, 155.2, 155.4, 166, 434, 188.6, 346.3,
248/324; 361/679.02, 679.04, 679.06, 679.07,
361/679.09, 679.21, 679.26, 679.27, 679.3,
361/679.55, 379.56; 379/454, 455; 312/223.3
See application file for complete search history.

(56) **References Cited**

U.S. PATENT DOCUMENTS

2,803,872	A	8/1957	Massa	
D296,212	S *	6/1988	Arney D14/457
5,205,526	A	4/1993	Deutsch	
5,358,204	A	10/1994	Terada	
5,383,634	A	1/1995	Liao	
5,390,885	A	2/1995	Shen	
D357,828	S	5/1995	Liao	
5,497,971	A	3/1996	Spiro	
5,957,417	A	9/1999	Yu	
5,973,244	A *	10/1999	McCulloch 84/327
6,017,012	A	1/2000	Henson	
6,113,040	A	9/2000	Yu	

(Continued)

OTHER PUBLICATIONS

Sven Rafferty, Cricket Laptop Stand Goes Where Ever You Go Easily, May 29, 2008, <http://svenontech.com/tag/pc/page/2/>, viewed on Feb. 4, 2011.*

Primary Examiner — Angela J Lee

(74) *Attorney, Agent, or Firm* — Design IP

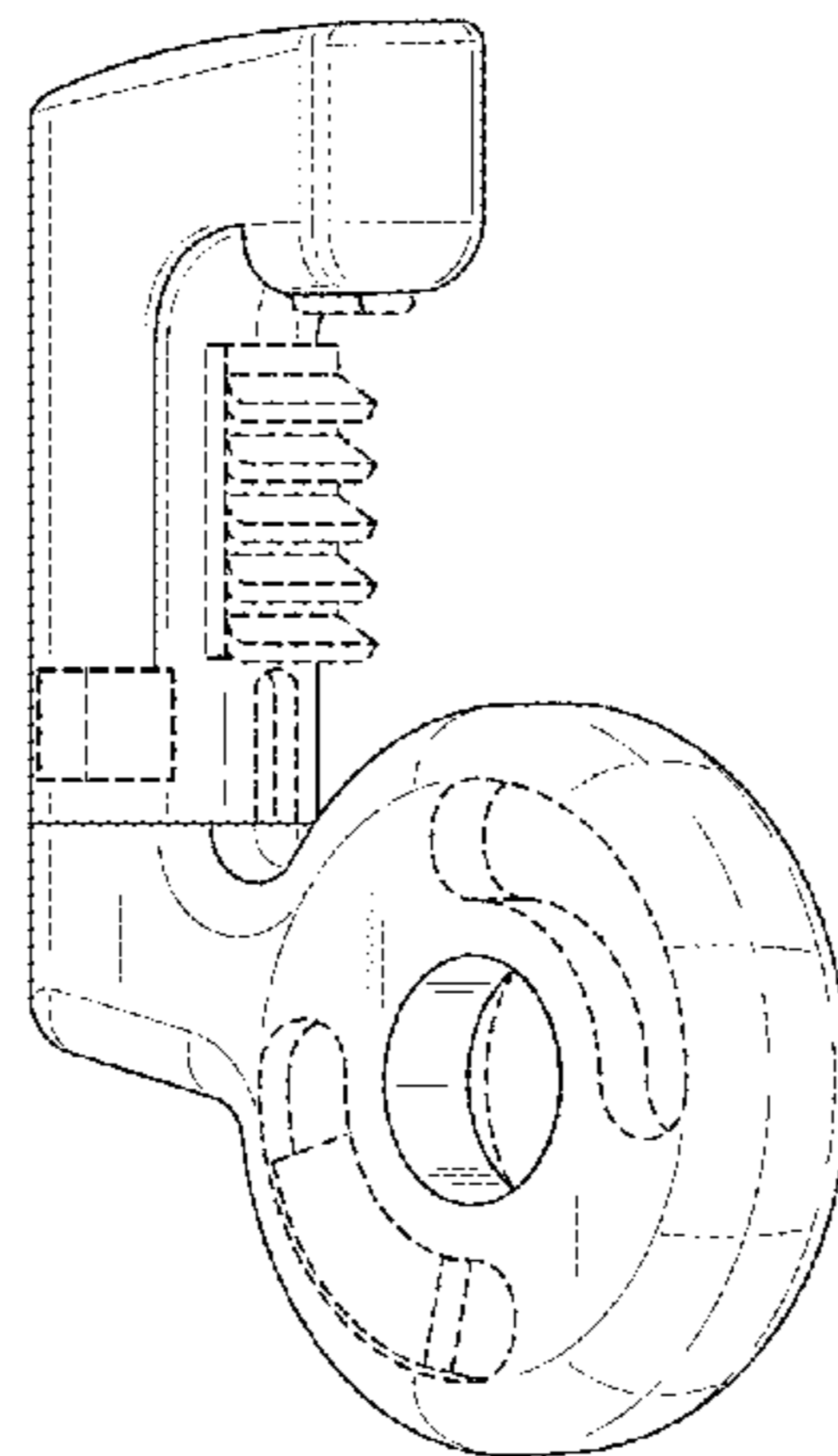
(57) **CLAIM**

The ornamental design for an adjustable support foot, as shown and described.

DESCRIPTION

FIG. 1 is a front-left perspective view of a first embodiment of an adjustable support foot showing our new design; FIG. 2 is a front orthographic view thereof; FIG. 3 is a rear orthographic view thereof; FIG. 4 is a left side orthographic view thereof; FIG. 5 is a right side orthographic view thereof; FIG. 6 is a top orthographic view thereof; FIG. 7 is a bottom orthographic view thereof; FIG. 8 is a front-right perspective view thereof, shown with an L-shaped portion of the adjustable support foot in an extended position; FIG. 9 is an front-right perspective view of a second embodiment of our new design, the second embodiment being a mirror image of the first embodiment; FIG. 10 is a front orthographic view thereof; FIG. 11 is a rear orthographic view thereof; FIG. 12 is a left side orthographic view thereof; FIG. 13 is a right side orthographic view thereof; FIG. 14 is a top orthographic view thereof; FIG. 15 is a bottom orthographic view thereof; and, FIG. 16 is a perspective view showing the first embodiment installed on an adjustable support stand in an open position. The broken lines shown in FIGS. 1-6, 8-14, and 16 are included for the purpose of illustrating environmental elements only and form no part of the claimed design.

1 Claim, 10 Drawing Sheets



US D640,706 S

Page 2

U.S. PATENT DOCUMENTS			
6,412,742	B1	7/2002	Yu
6,439,532	B1 *	8/2002	Yu 248/443
6,533,228	B1	3/2003	Yu
6,579,017	B2	6/2003	Wei
D495,337	S	8/2004	Zerman
6,886,966	B2	5/2005	Humphrey
D538,554	S	3/2007	Tai
D539,806	S	4/2007	Yu
7,391,606	B2 *	6/2008	Chen et al. 361/679.27
7,399,033	B2 *	7/2008	Hsiao 297/217.3
D575,293	S *	8/2008	Derry et al. D14/447
D610,587	S *	2/2010	Bandringa D14/447
7,712,719	B2 *	5/2010	Derry et al. 248/346.06
D620,941	S *	8/2010	Stacey et al. D14/447
2002/0088914	A1	7/2002	Yu
2003/0226941	A1 *	12/2003	Crain et al. 248/166
2004/0007651	A1	1/2004	Williams
2006/0255229	A1	11/2006	Cheng
2007/0007423	A1 *	1/2007	Wang 248/454
2007/0012827	A1	1/2007	Fu
2007/0075208	A1	4/2007	Chen
2007/0096002	A1	5/2007	Knight
2010/0243854	A1 *	9/2010	Logue 248/453
2010/0294908	A1 *	11/2010	Mish et al. 248/451

* cited by examiner

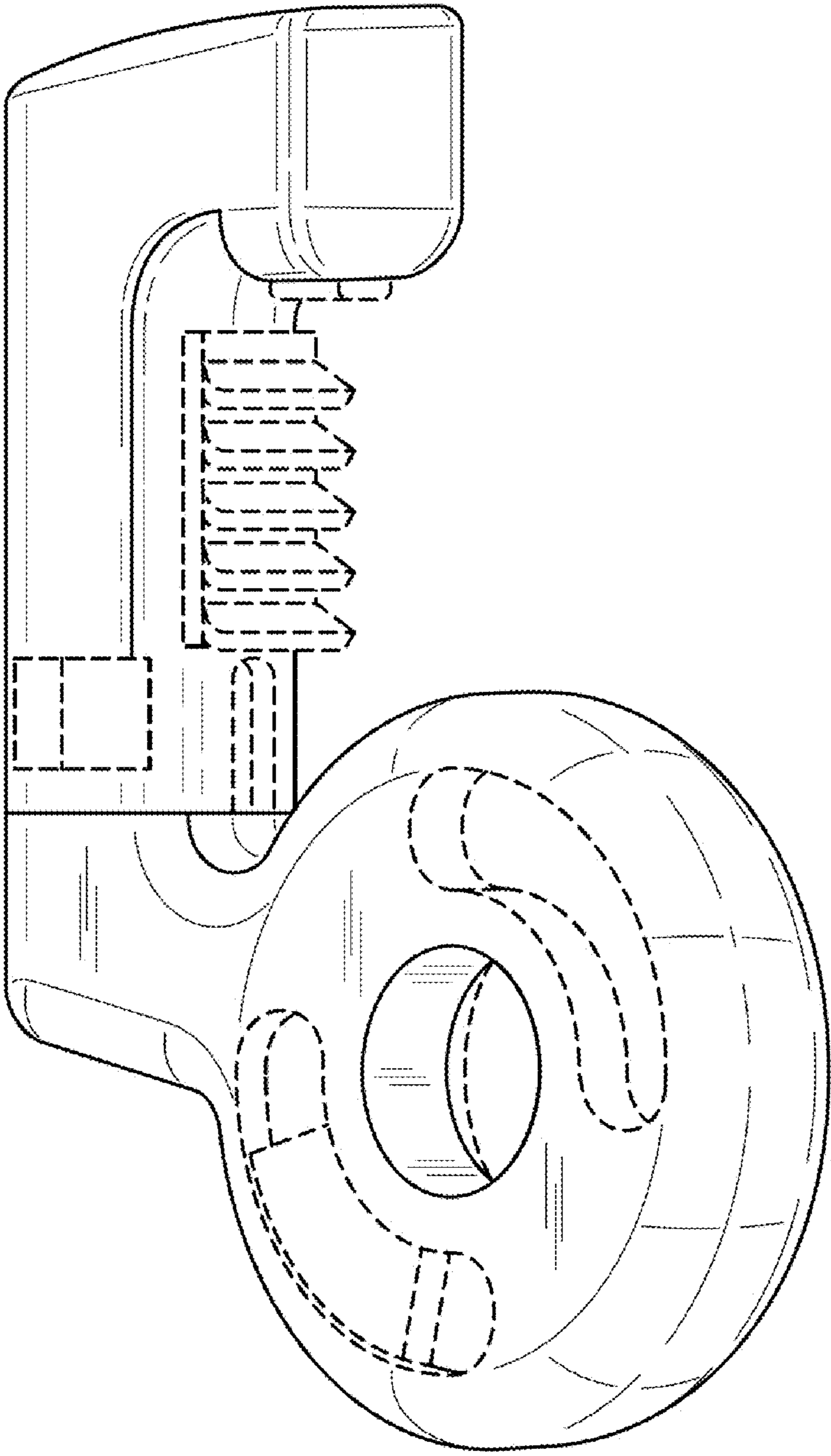


FIG. 1

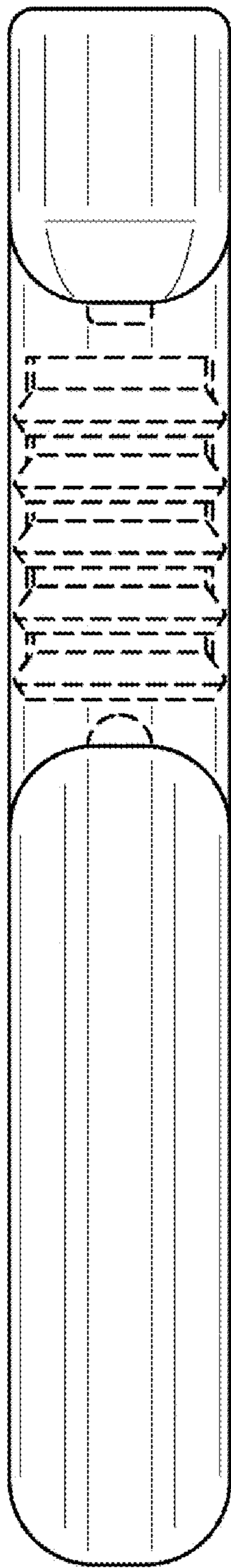


FIG. 2

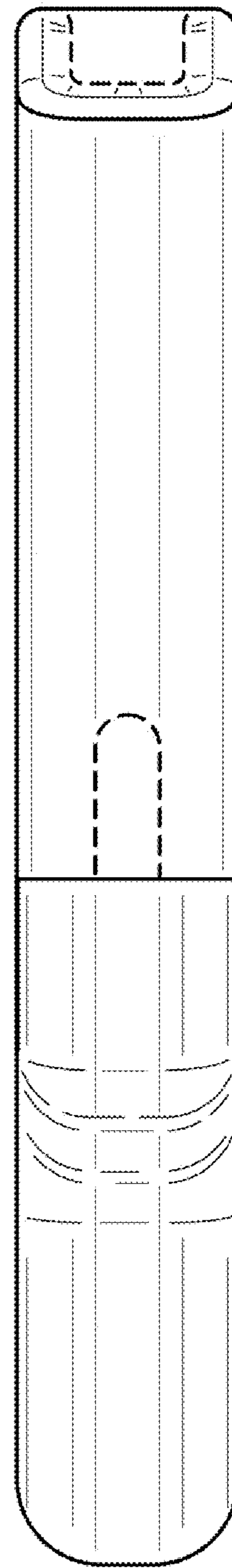


FIG. 3

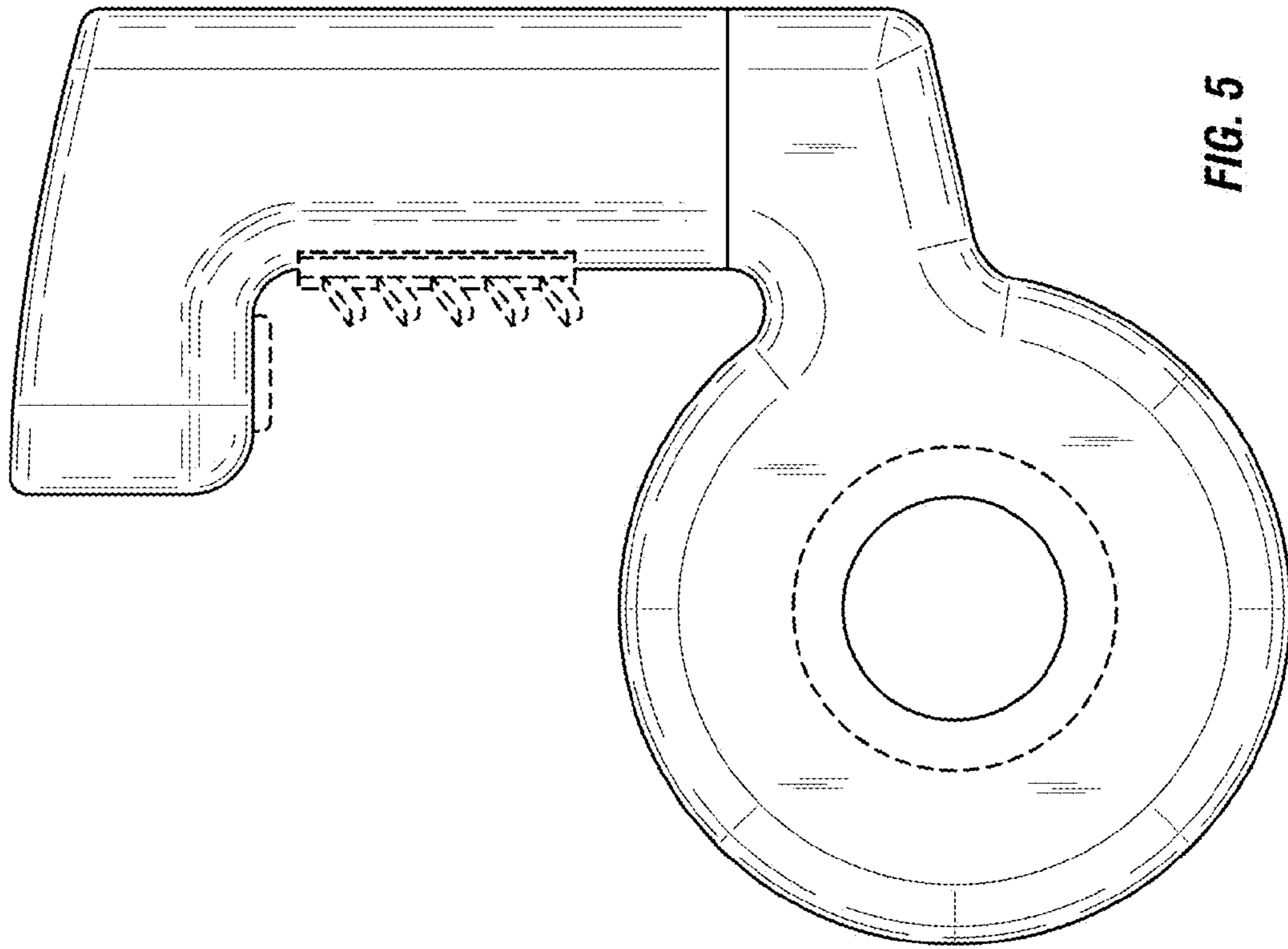


FIG. 5

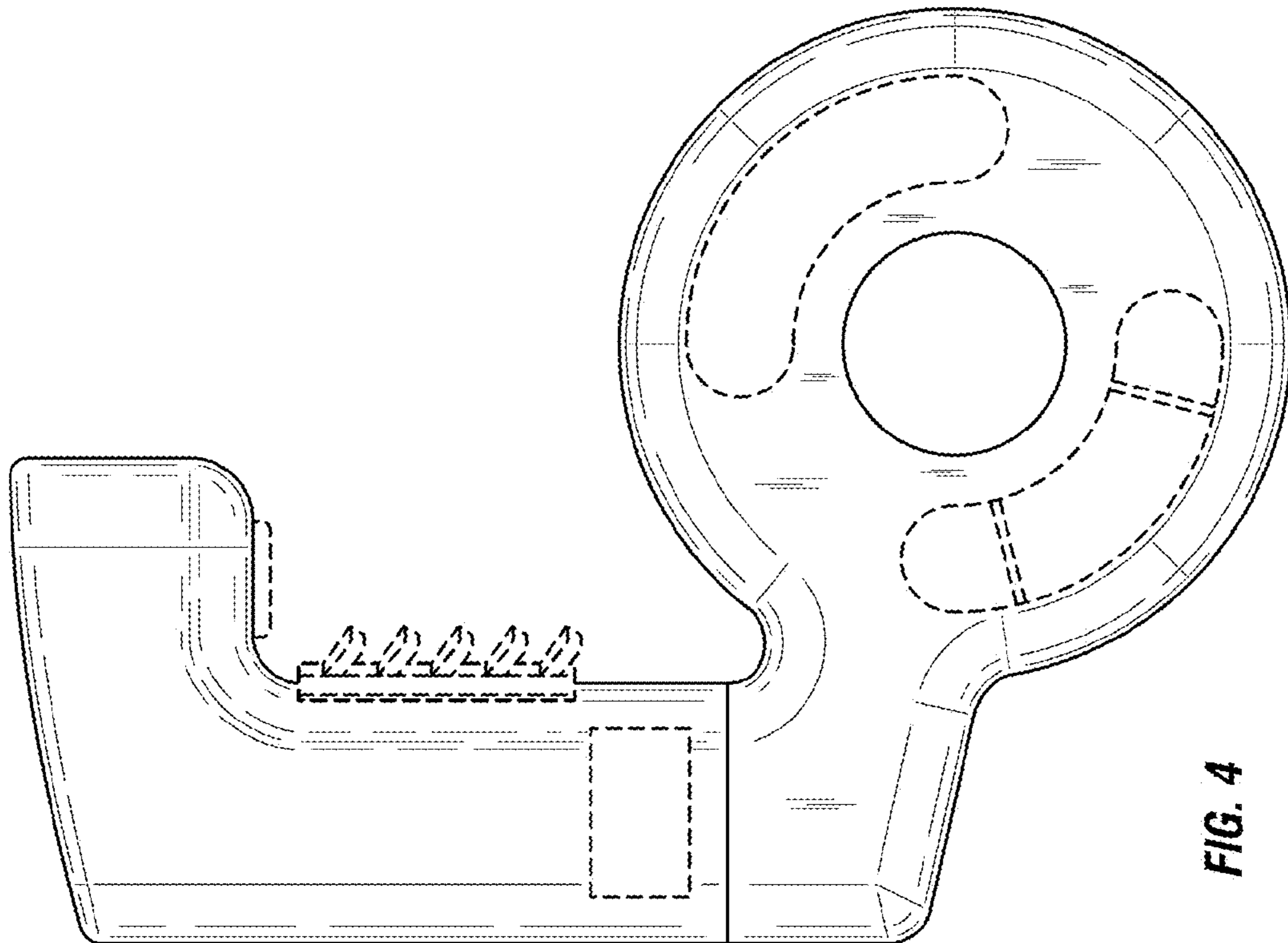


FIG. 4

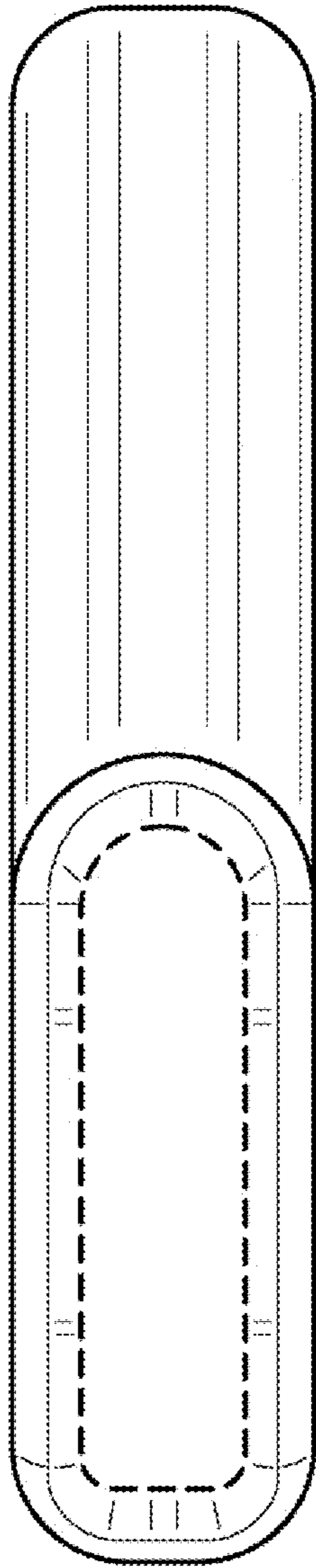


FIG. 6

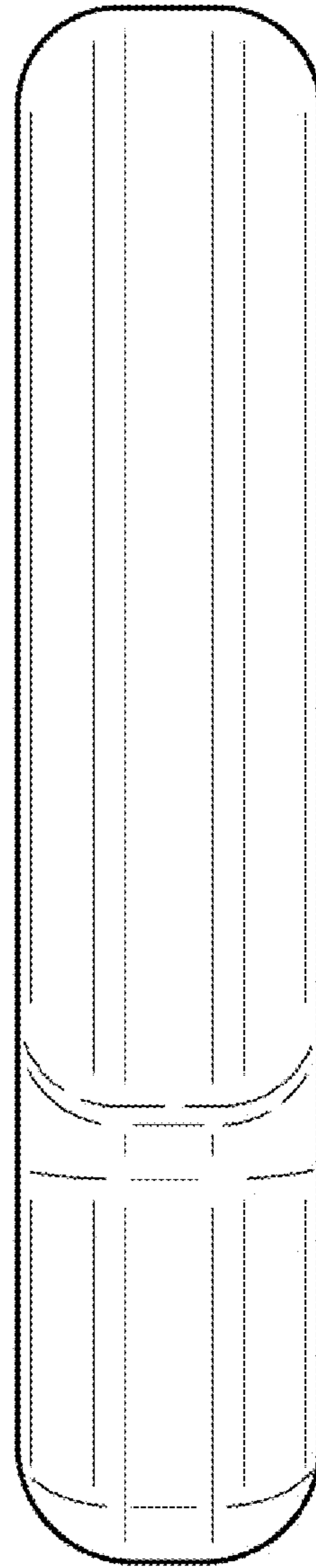


FIG. 7

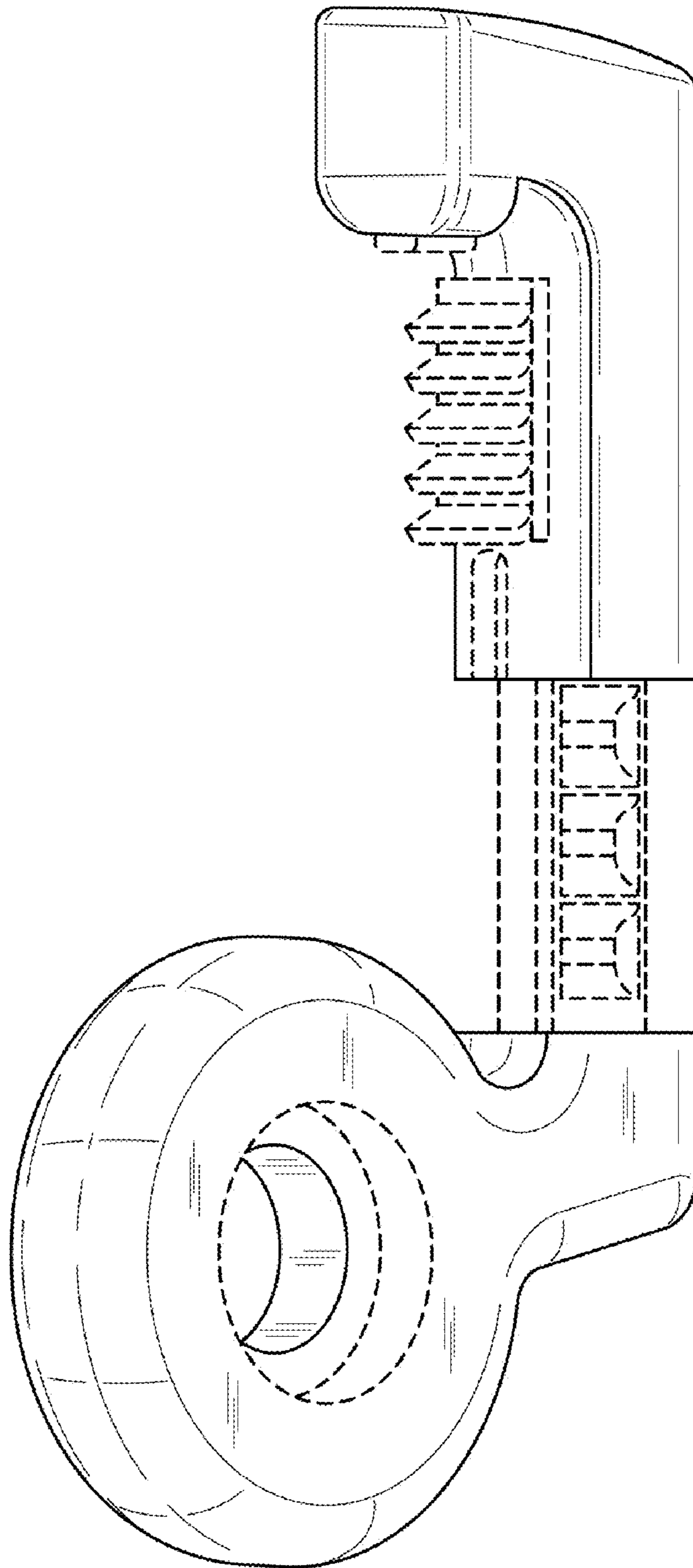


FIG. 8

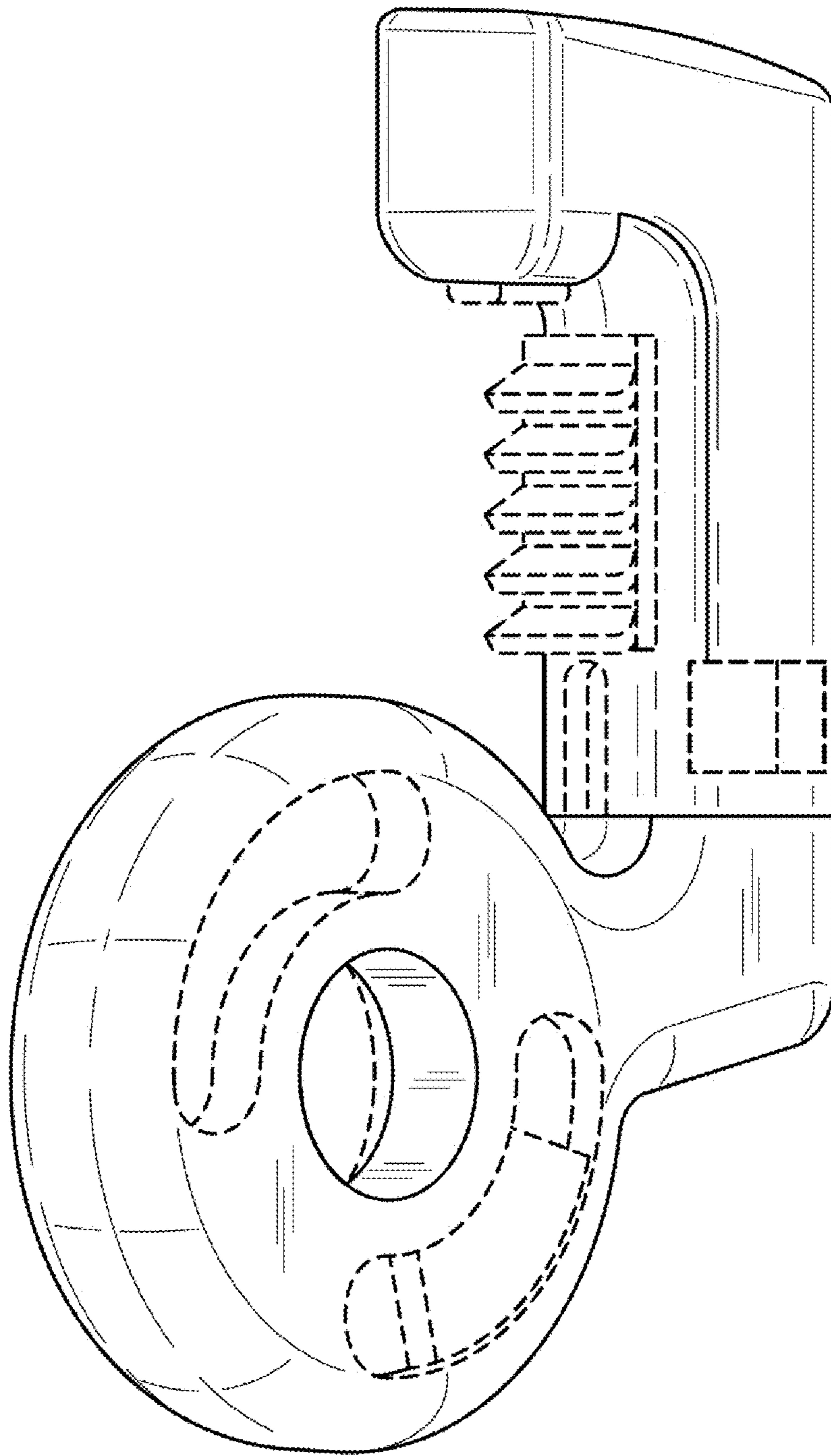


FIG. 9

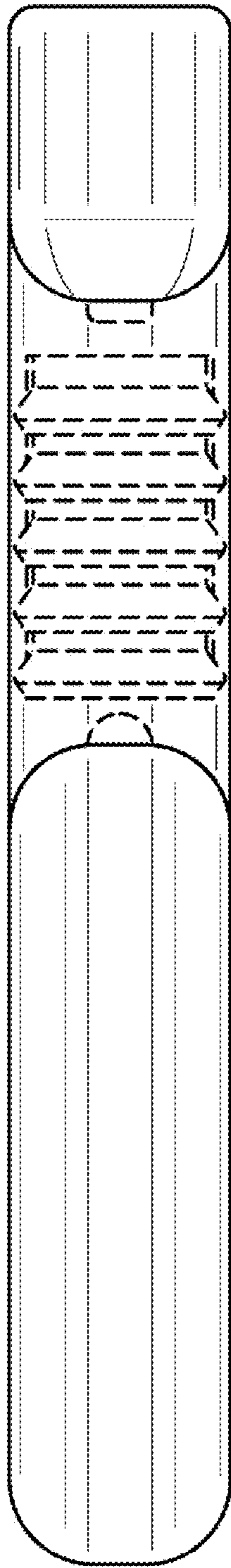


FIG. 10

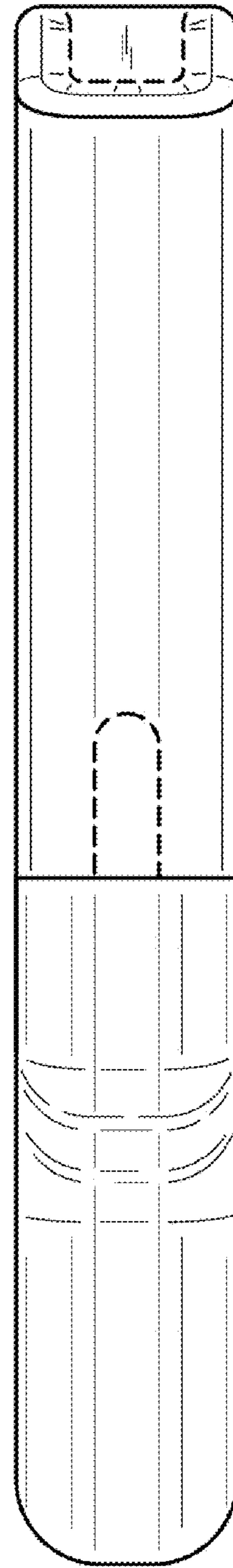


FIG. 11

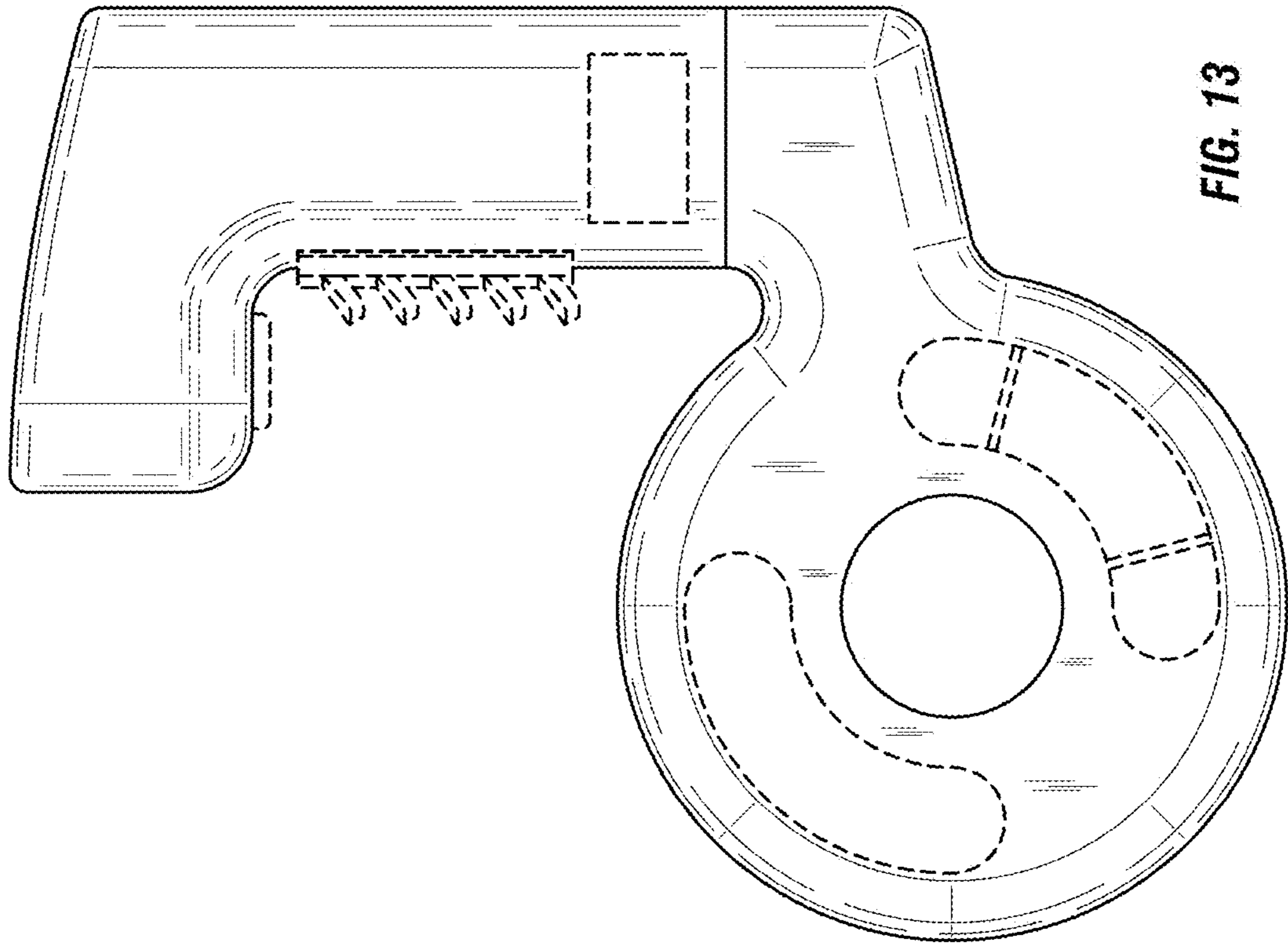


FIG. 13

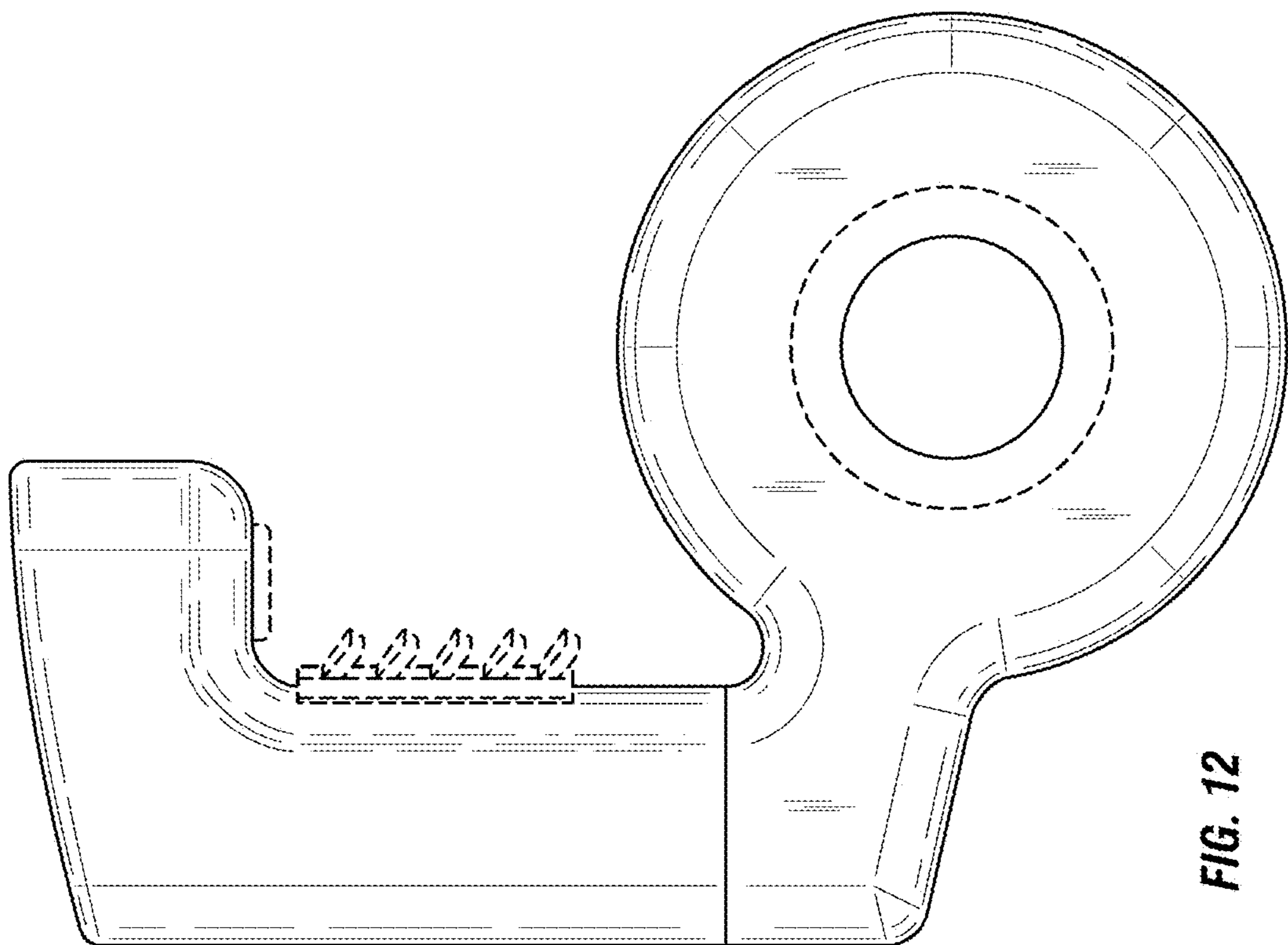


FIG. 12

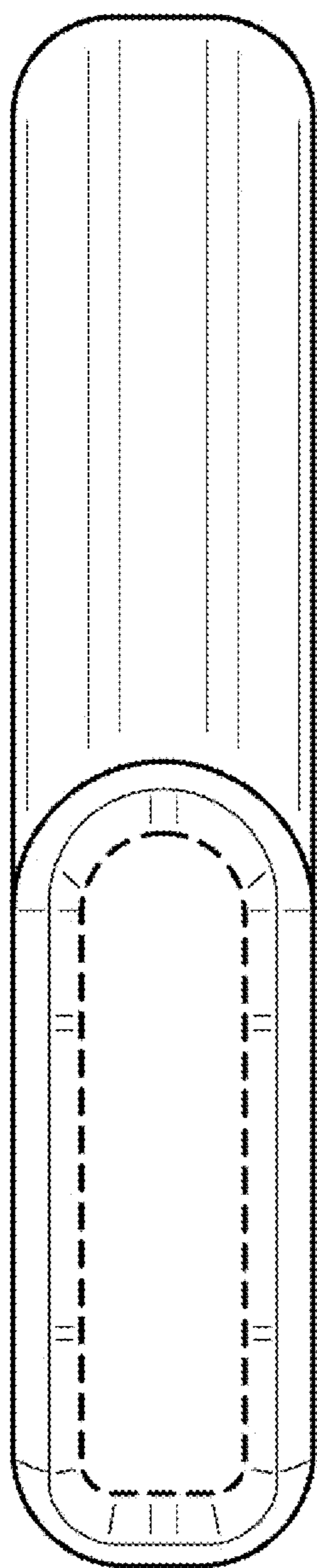


FIG. 14

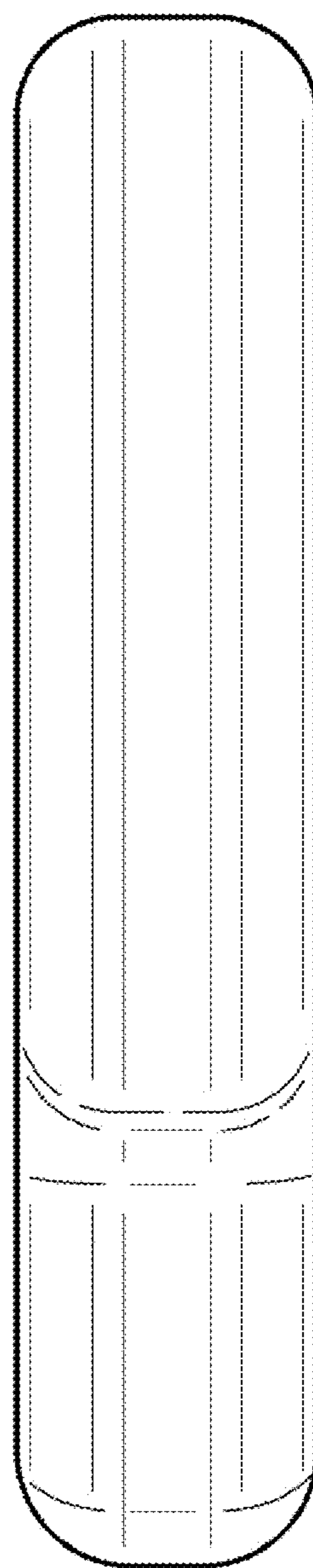


FIG. 15

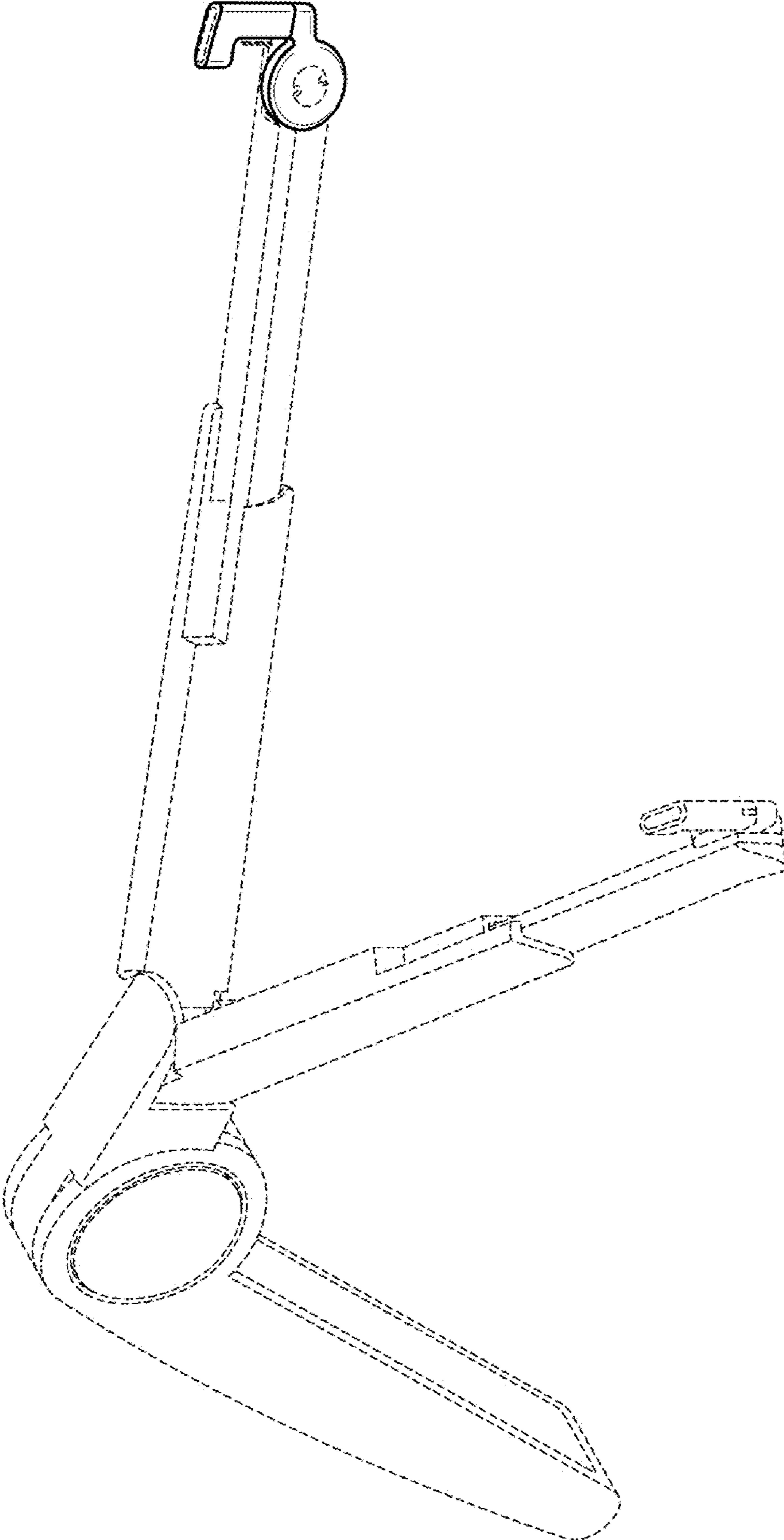


FIG. 16