



US00D640705S

(12) **United States Design Patent**  
**Sogabe**

(10) **Patent No.:** **US D640,705 S**

(45) **Date of Patent:** **\*\* Jun. 28, 2011**

(54) **SUPPORTING BASE**

(75) Inventor: **Takashi Sogabe**, Tokyo (JP)

(73) Assignee: **Sony Computer Entertainment Inc.**,  
Tokyo (JP)

(\*\*) Term: **14 Years**

(21) Appl. No.: **29/347,138**

(22) Filed: **Sep. 29, 2009**

(30) **Foreign Application Priority Data**

Jun. 22, 2009 (JP) ..... D2009-014094

(51) **LOC (9) Cl.** ..... **08-07**

(52) **U.S. Cl.** ..... **D14/447**

(58) **Field of Classification Search** ..... D14/447,  
D14/451, 452, 373, 374, 375, 376, 432, 434,  
D14/439, 448, 457, 126, 127, 129, 203.8,  
D14/217, 224, 224.1, 238.1, 239, 251, 253;  
D8/363, 373, 380; D6/406.1, 406.2, 406.3,  
D6/406.4, 406.5, 406.6, 429, 462; 248/917-924,  
248/441.1, 443, 445, 446, 447, 447.1, 453,  
248/454, 455, 460, 463, 465.1, 472, 131,  
248/150, 155.2, 155.4, 166, 434, 188.6, 346.3,  
248/324; 361/679.02, 679.04, 679.06, 679.07,  
361/679.09, 679.21, 679.26, 679.27, 679.3,  
361/679.55, 379.56; 379/454, 455; 312/223.3

See application file for complete search history.

(56) **References Cited**

**U.S. PATENT DOCUMENTS**

D287,365 S \* 12/1986 Judd ..... D14/447  
D350,536 S \* 9/1994 McKnight et al. .... D14/447  
D361,561 S \* 8/1995 Baudot ..... D14/447  
D427,573 S \* 7/2000 Wiggins ..... D14/457  
D444,790 S \* 7/2001 Goto ..... D14/447

D447,486 S \* 9/2001 Goto ..... D14/447  
D465,785 S \* 11/2002 Goto ..... D14/447  
D482,039 S \* 11/2003 Chen et al. .... D14/447  
D490,437 S \* 5/2004 Miao et al. .... D14/447  
D543,246 S \* 5/2007 Ashida et al. .... D21/333  
D575,350 S \* 8/2008 Ashida et al. .... D21/333  
D579,455 S \* 10/2008 Chu ..... D14/447  
D605,645 S 12/2009 Kettula  
D622,274 S \* 8/2010 Green ..... D14/447

**FOREIGN PATENT DOCUMENTS**

EM 000944418-0011 11/2008  
KR 30-0369185 12/2004

**OTHER PUBLICATIONS**

Office Action dated Mar. 30, 2010 for Russian Patent Application No. 2009502667.

Office Action for Taiwanese Design Application No. 098304603, dated May 7, 2010.

\* cited by examiner

*Primary Examiner* — Angela J Lee

(74) *Attorney, Agent, or Firm* — Rader, Fishman & Grauer PLLC

(57) **CLAIM**

The ornamental design for a supporting base, as shown.

**DESCRIPTION**

FIG. 1 is a front elevational view of a supporting base showing my new design;

FIG. 2 is a rear elevational view thereof;

FIG. 3 is a left side elevational view thereof;

FIG. 4 is a right side elevational view thereof;

FIG. 5 is a top plan view thereof;

FIG. 6 is a bottom plan view thereof;

FIG. 7 is a top, front, right perspective view thereof; and,

FIG. 8 is a bottom, front, right perspective view thereof.

**1 Claim, 8 Drawing Sheets**

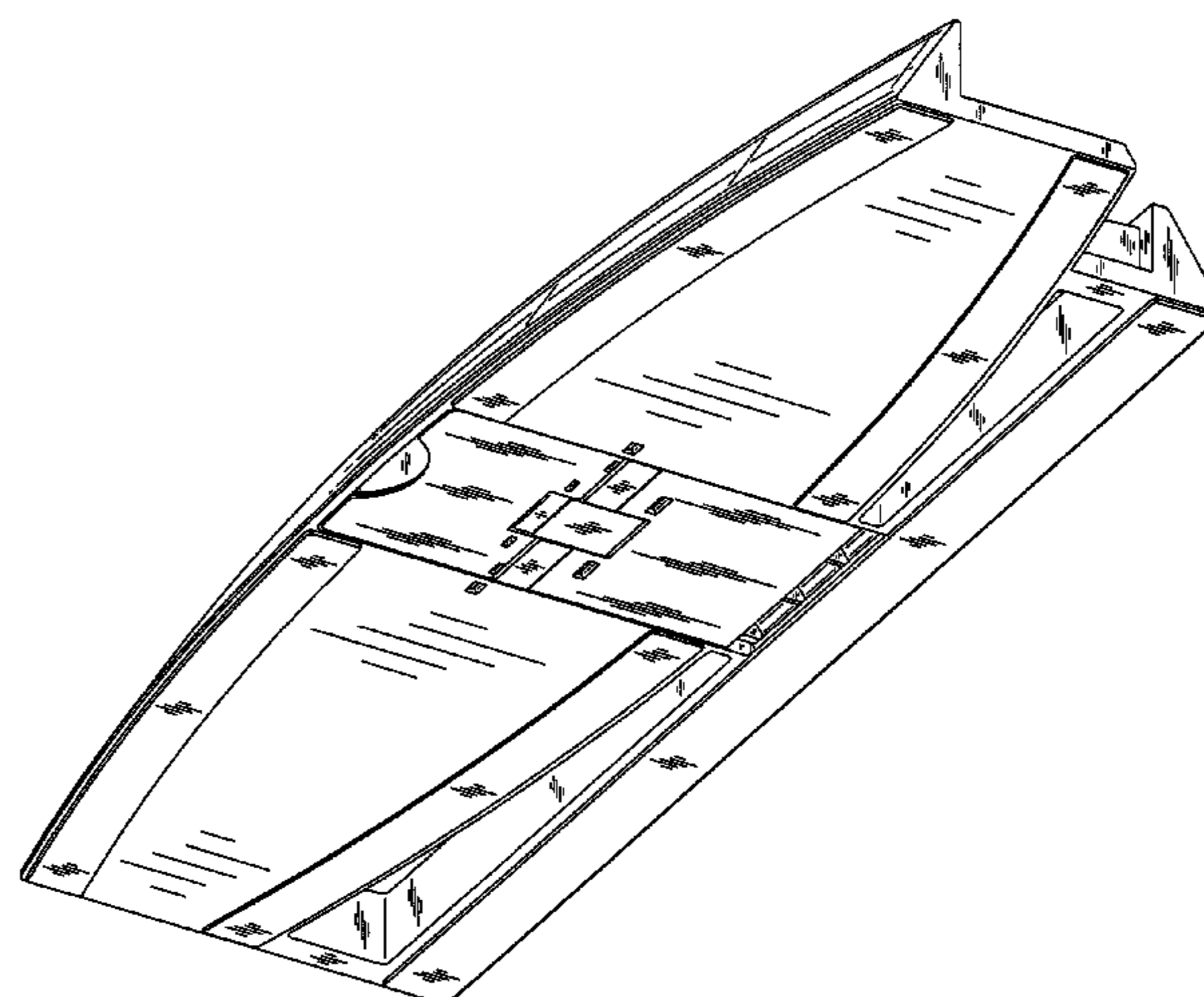
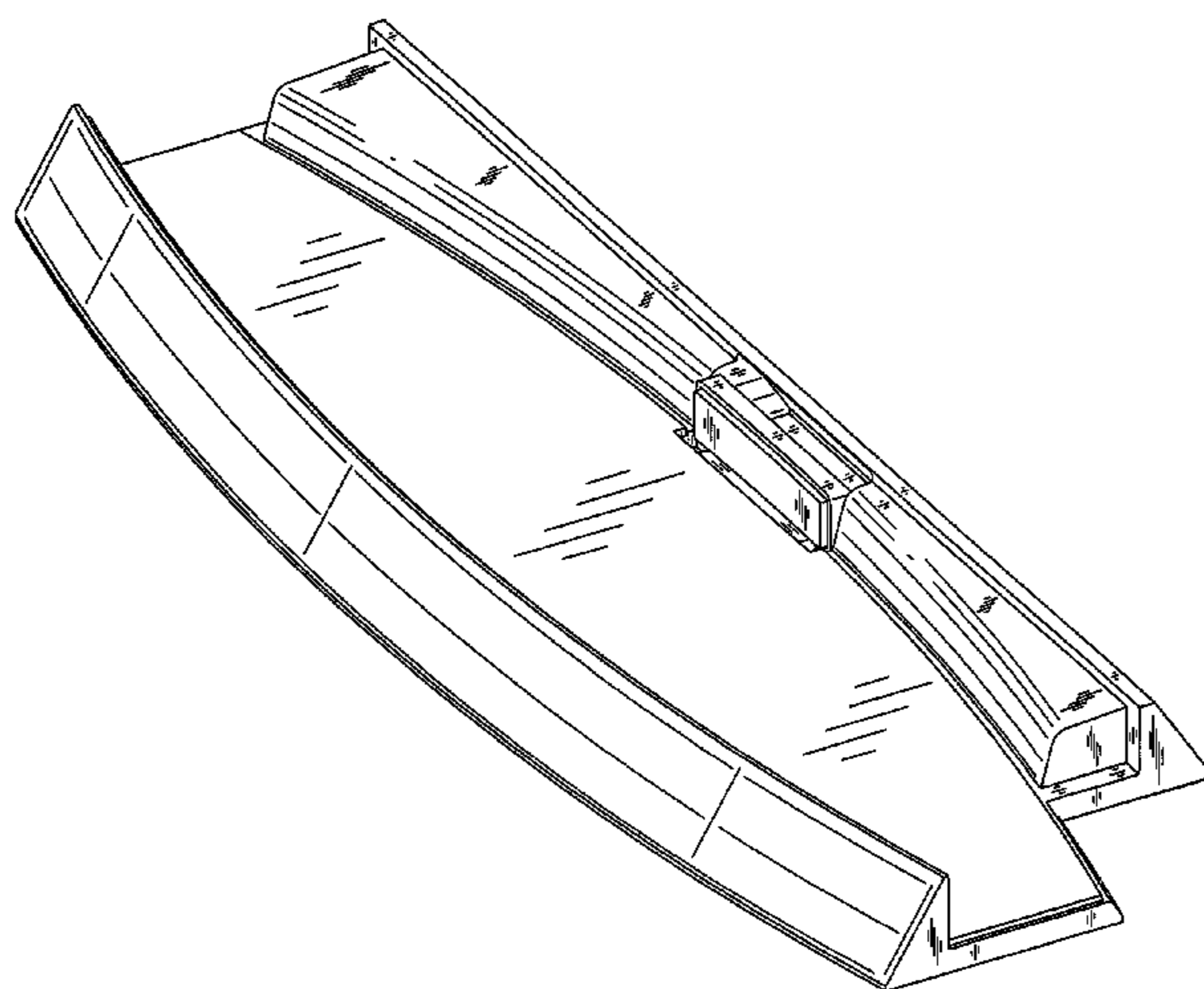


FIG.1

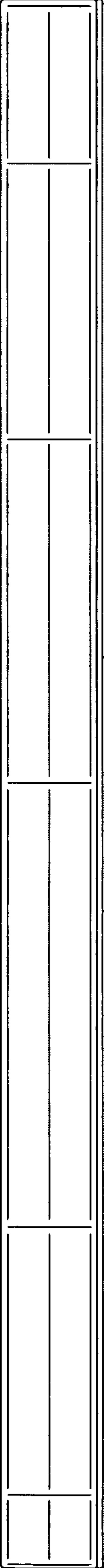


FIG.2

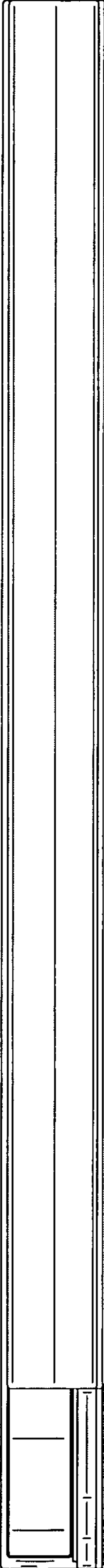


FIG. 3

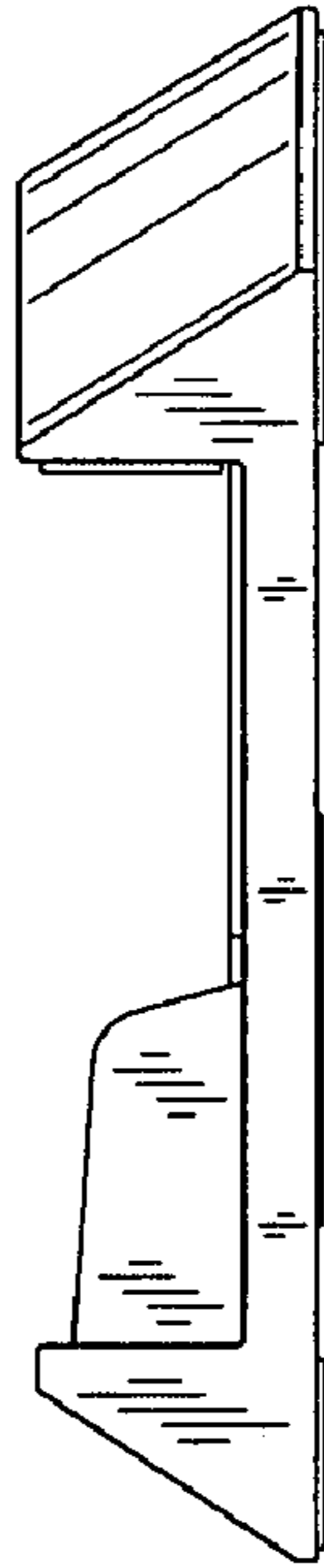


FIG.4

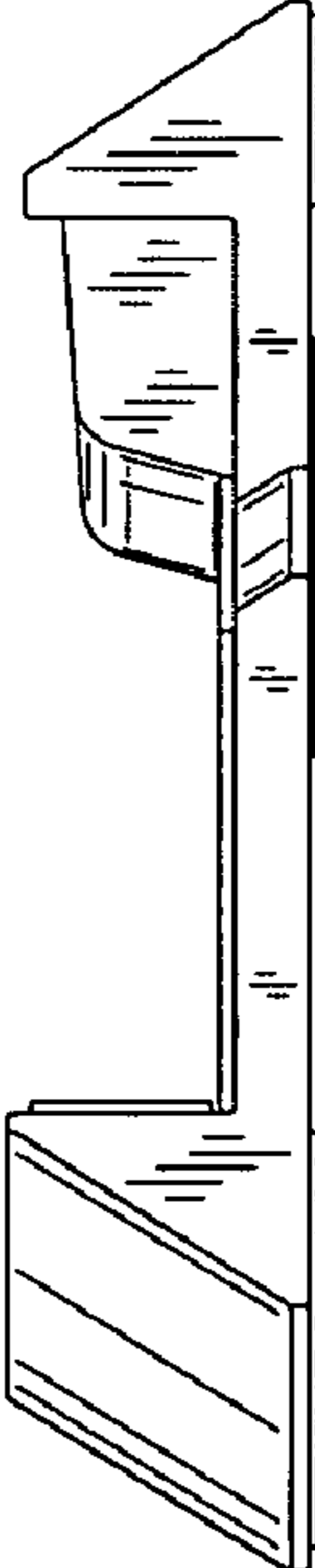


FIG.5

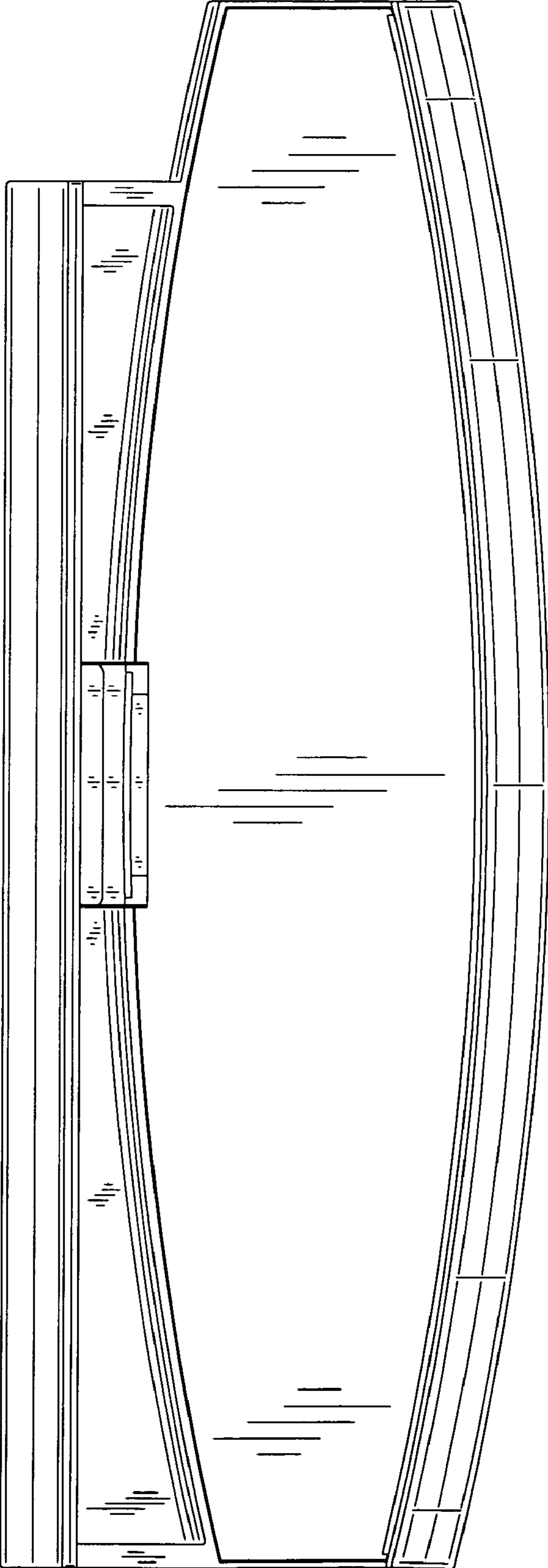


FIG.6

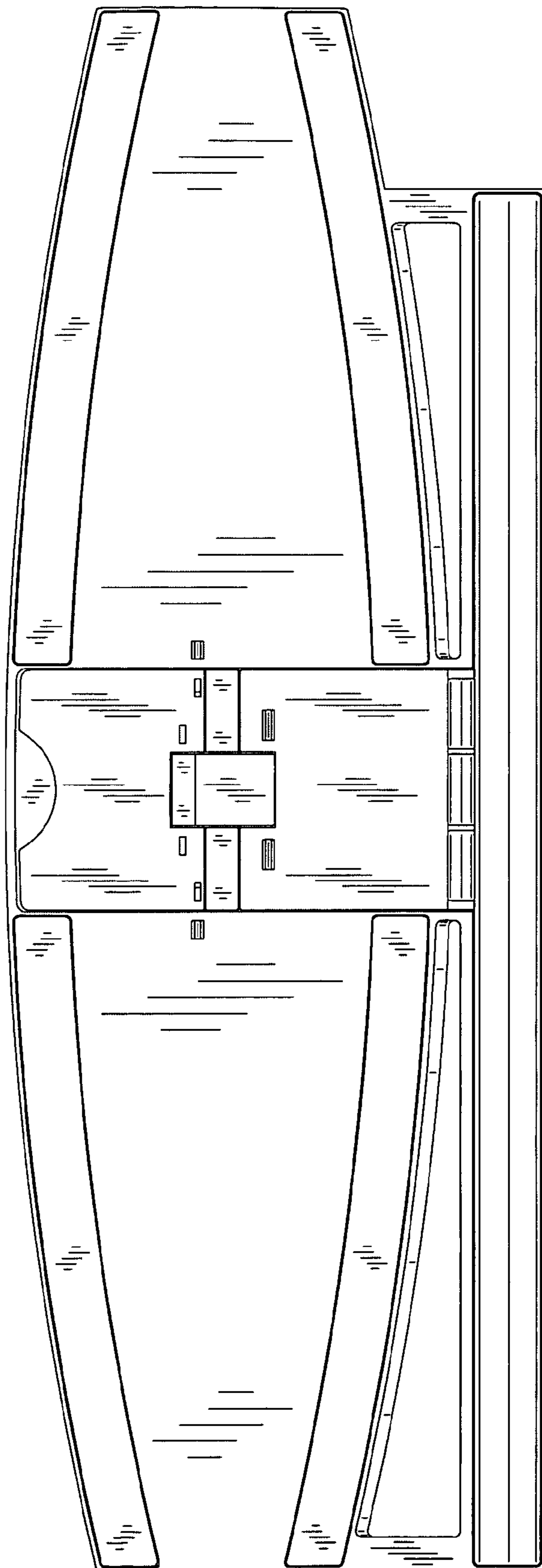
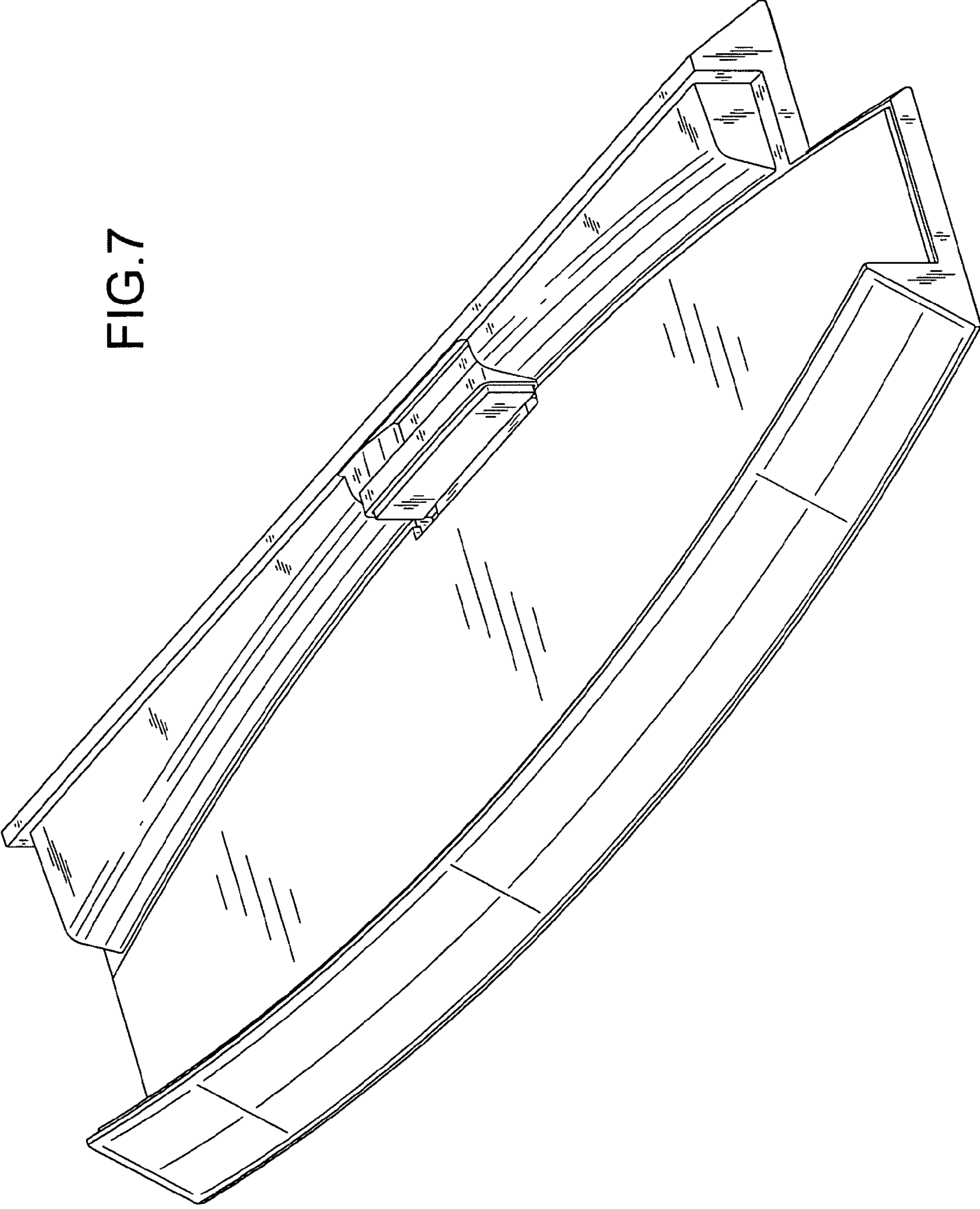




FIG. 7





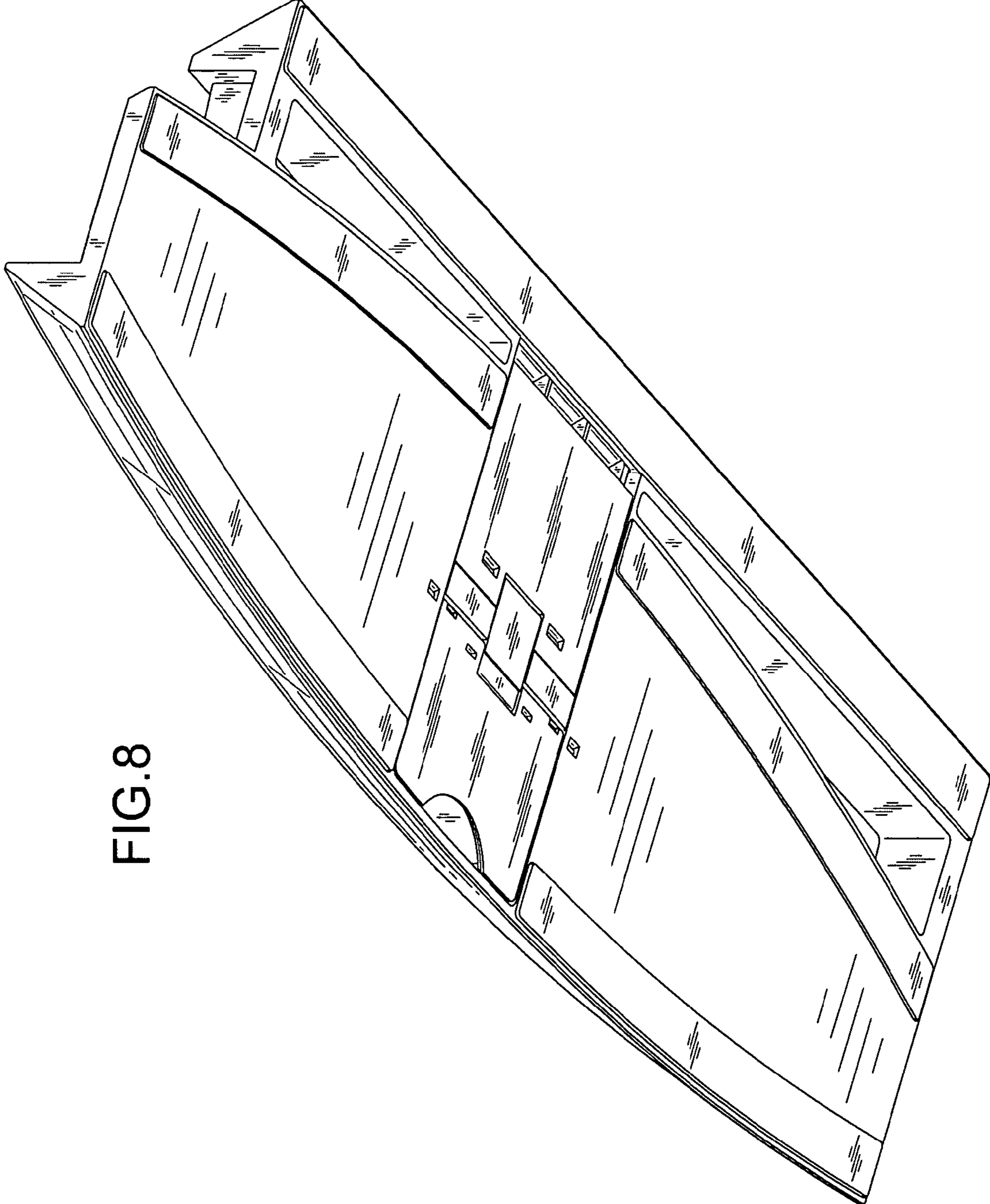


FIG.8