



US00D640699S

(12) **United States Design Patent**
McParland

(10) **Patent No.:** **US D640,699 S**

(45) **Date of Patent:** **** Jun. 28, 2011**

(54) **INTERFACE DOCK**

(75) Inventor: **Paul McParland**, Saratoga, CA (US)

(73) Assignee: **Seagate Technology LLC**, Scotts Valley, CA (US)

(**) Term: **14 Years**

(21) Appl. No.: **29/368,131**

(22) Filed: **Aug. 18, 2010**

(51) **LOC (9) Cl.** **14-02**

(52) **U.S. Cl.** **D14/434; D13/107; D13/108**

(58) **Field of Classification Search** D14/432-434,
D14/314, 204, 420, 421, 447, 217, 358; D13/107,
D13/108, 146; D8/373; 248/346.03, 176.1;
361/679.41, 679.31, 679.32, 679.4, 679.43,
361/679.55, 679.33; 320/109, 112-115;
710/15, 303; 455/557

See application file for complete search history.

(56) **References Cited**

U.S. PATENT DOCUMENTS

D351,133	S *	10/1994	Jungels-Butler et al.	D13/108
7,075,579	B2 *	7/2006	Whitby et al.	348/375
D580,856	S *	11/2008	Haspil et al.	D13/108
D596,621	S *	7/2009	Andre et al.	D14/217
D599,783	S *	9/2009	Andre et al.	D14/217
7,643,283	B2 *	1/2010	Jubelirer et al.	361/679.41

D631,010	S *	1/2011	Smith et al.	D13/108
2006/0181840	A1 *	8/2006	Cvetko	361/679
2006/0250764	A1 *	11/2006	Howarth et al.	361/683
2007/0047198	A1 *	3/2007	Crooijmans et al.	361/686
2008/0219488	A1 *	9/2008	Crooijmans et al.	381/333

* cited by examiner

Primary Examiner — Freda S Nunn

(74) *Attorney, Agent, or Firm* — Banner & Witcoff, Ltd.

(57) **CLAIM**

The ornamental design for an interface dock, as shown and described.

DESCRIPTION

FIG. 1 is a top perspective view of an interface dock showing my new design;

FIG. 2 is a top view thereof;

FIG. 3 is a left side view thereof;

FIG. 4 is a right side view thereof;

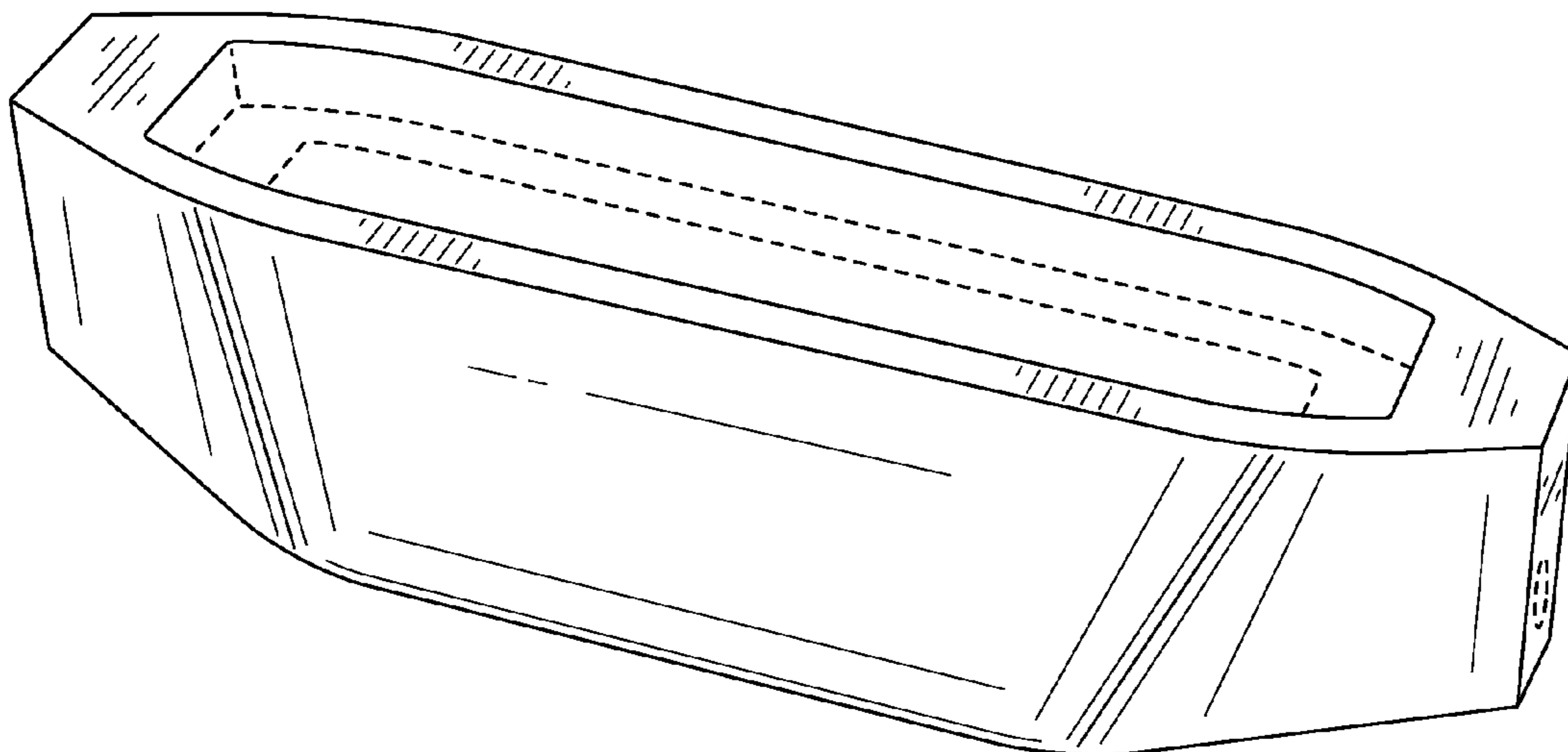
FIG. 5 is a front view thereof;

FIG. 6 is a rear view thereof; and,

FIG. 7 is a bottom view thereof.

The broken lines immediately adjacent to the shaded areas form unclaimed boundaries of the design. The broken line showing of the recessed region and the remainder of the interface dock is for environmental purposes only and forms no part of the claimed design.

1 Claim, 3 Drawing Sheets



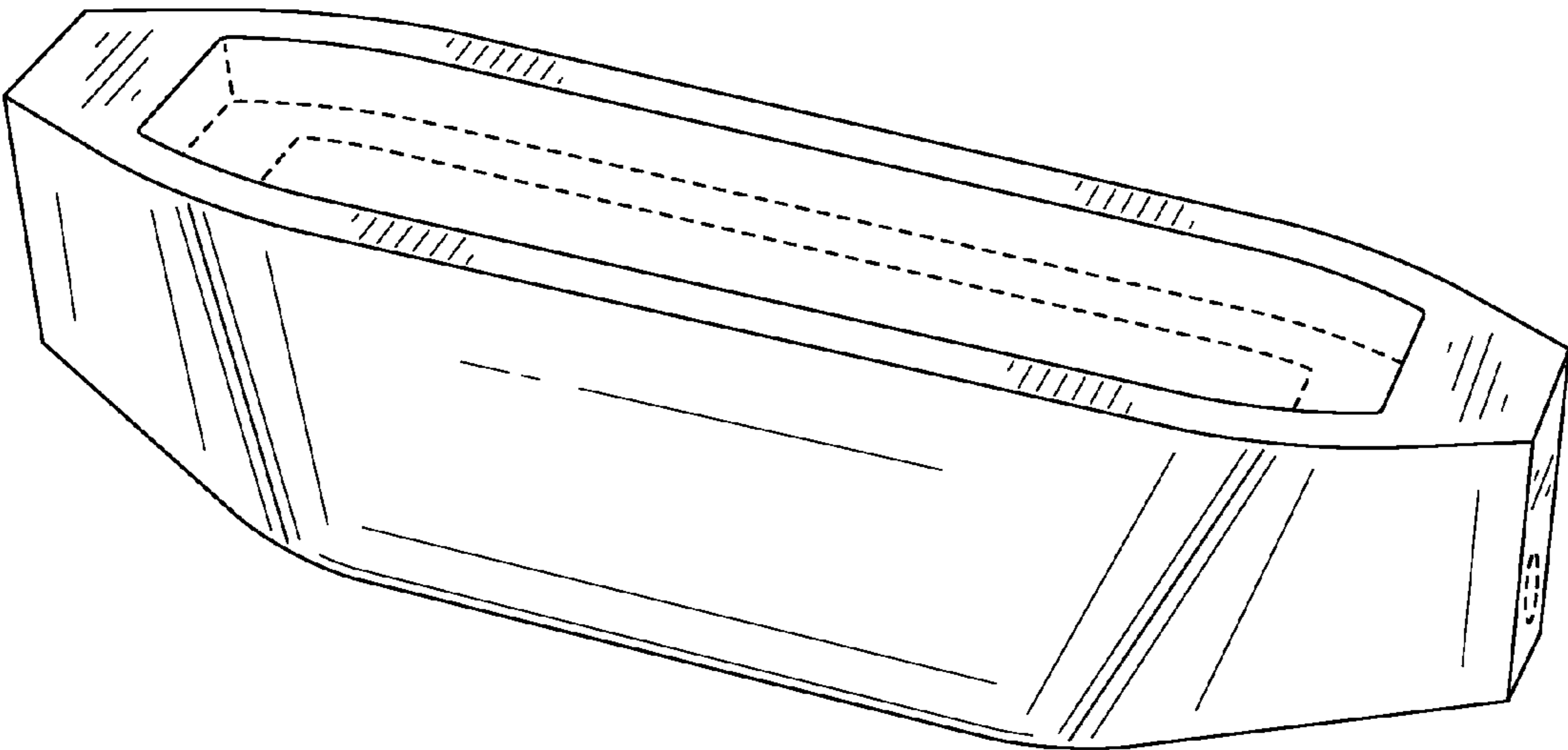


FIG. 1

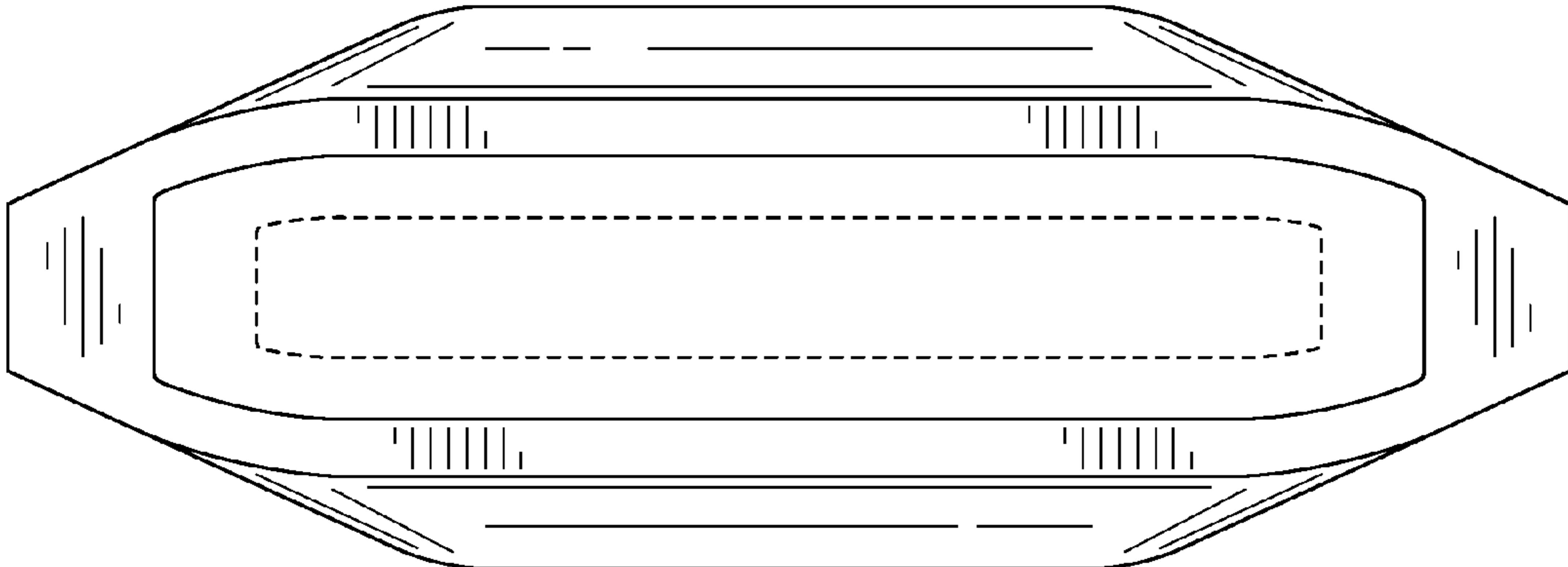


FIG. 2

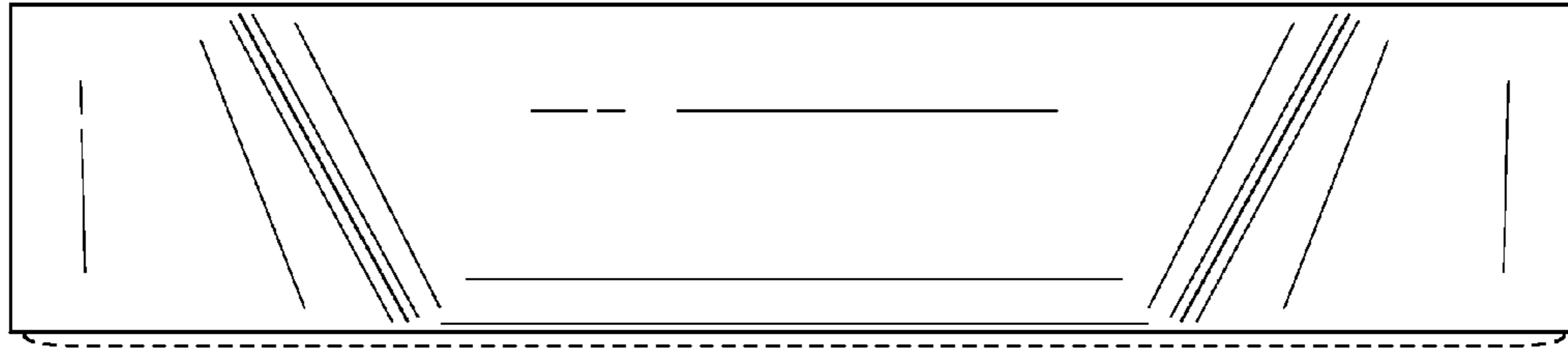


FIG. 3

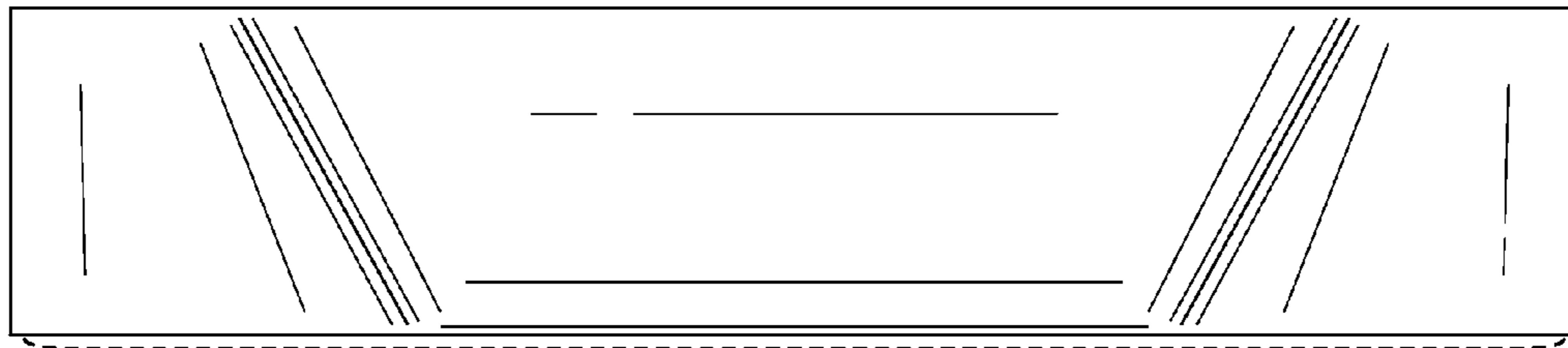


FIG. 4

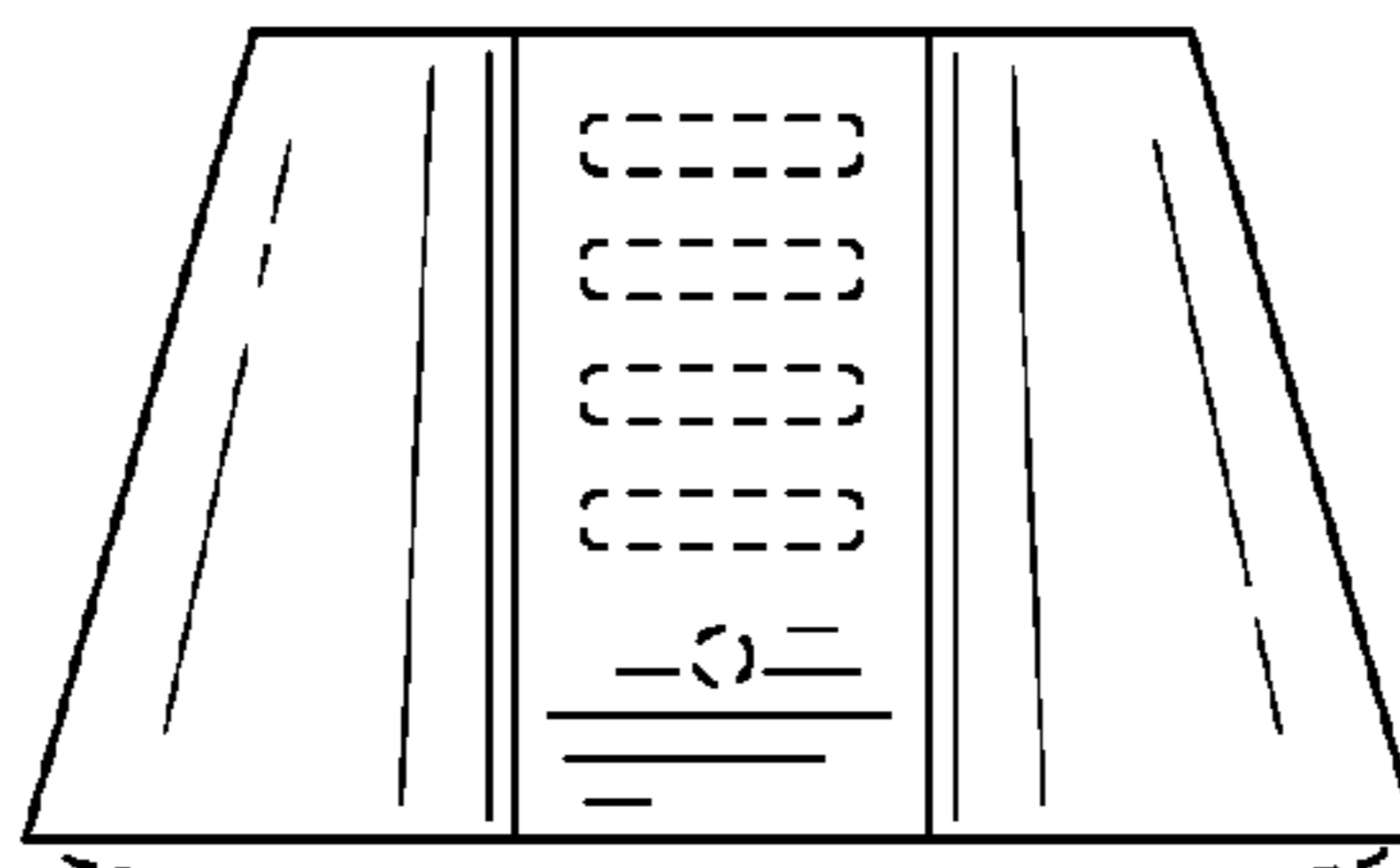


FIG. 5

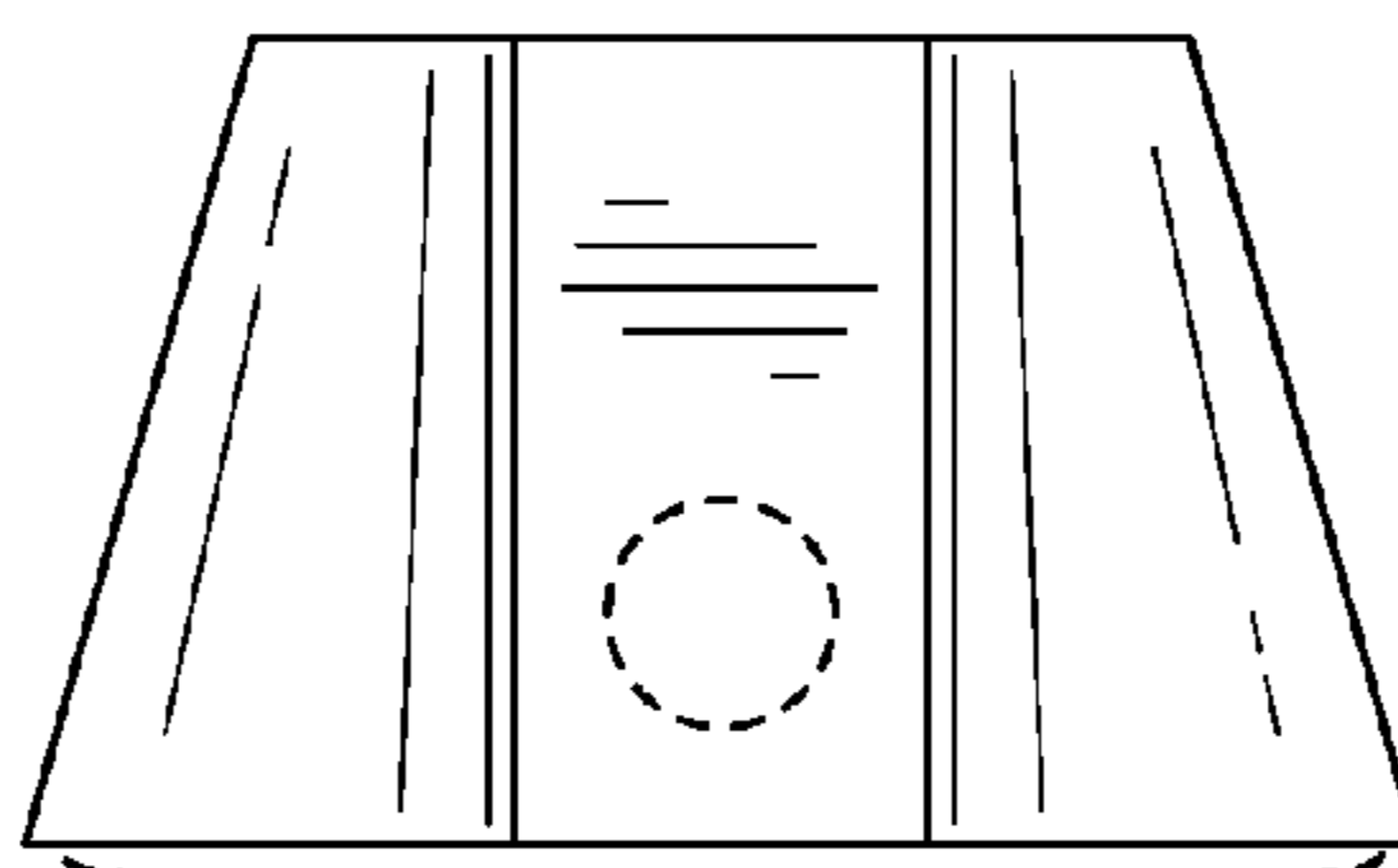


FIG. 6

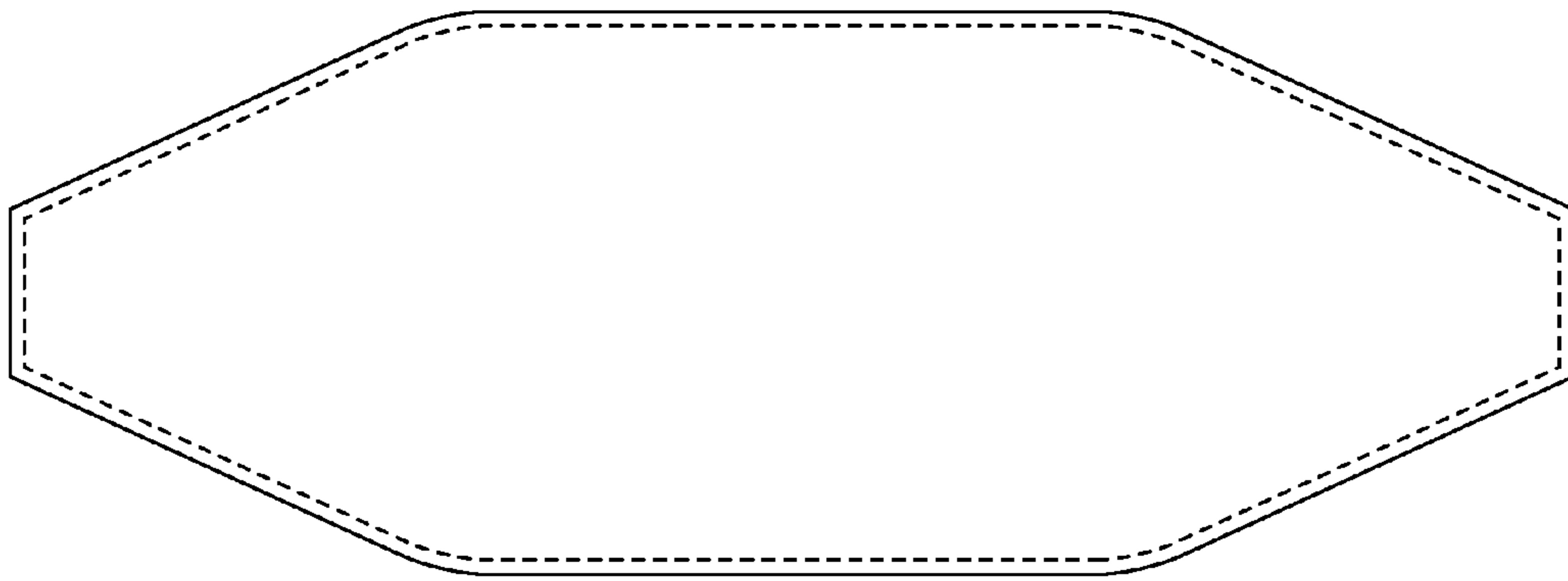


FIG. 7