



US00D640698S

(12) **United States Design Patent**
Shi et al.

(10) **Patent No.:** **US D640,698 S**

(45) **Date of Patent:** **** Jun. 28, 2011**

(54) **STYLUS HAVING FONT MAGNIFIER**

(75) Inventors: **Zheng Shi**, Shenzhen (CN); **Guo-Wu Jiang**, Shenzhen (CN)

(73) Assignee: **FIH (Hong Kong) Limited**, Kowloon (HK)

(**) Term: **14 Years**

(21) Appl. No.: **29/380,862**

(22) Filed: **Dec. 13, 2010**

(51) **LOC (9) Cl.** **14-02**

(52) **U.S. Cl.** **D14/411**

(58) **Field of Classification Search** D8/61;
D14/411; D19/35, 36, 41-51, 54-58; 401/55,
401/99, 100, 104-107, 196, 197, 202, 208,
401/209, 213, 192, 195, 243; 708/107; 345/179,
345/173; 178/19.01; 700/94
See application file for complete search history.

(56) **References Cited**

U.S. PATENT DOCUMENTS

| | | | | |
|--------------|---------|--------------|-------|---------|
| D238,357 S * | 1/1976 | Di Carlo | | D19/36 |
| D320,787 S * | 10/1991 | Valls et al. | | D14/411 |
| D443,301 S * | 6/2001 | Robb | | D19/36 |
| D517,582 S * | 3/2006 | Oas | | D16/135 |
| D552,645 S * | 10/2007 | Yip et al. | | D16/136 |
| D559,876 S * | 1/2008 | Yip et al. | | D16/135 |

| | | | | |
|--------------|--------|-------------|-------|---------|
| D561,217 S * | 2/2008 | Young | | D16/135 |
| D563,004 S * | 2/2008 | Biglarians | | D26/38 |
| D597,547 S * | 8/2009 | Smith | | D14/411 |
| D619,581 S * | 7/2010 | Tani et al. | | D14/411 |

* cited by examiner

Primary Examiner — Austin Murphy

(74) *Attorney, Agent, or Firm* — Steven M. Reiss

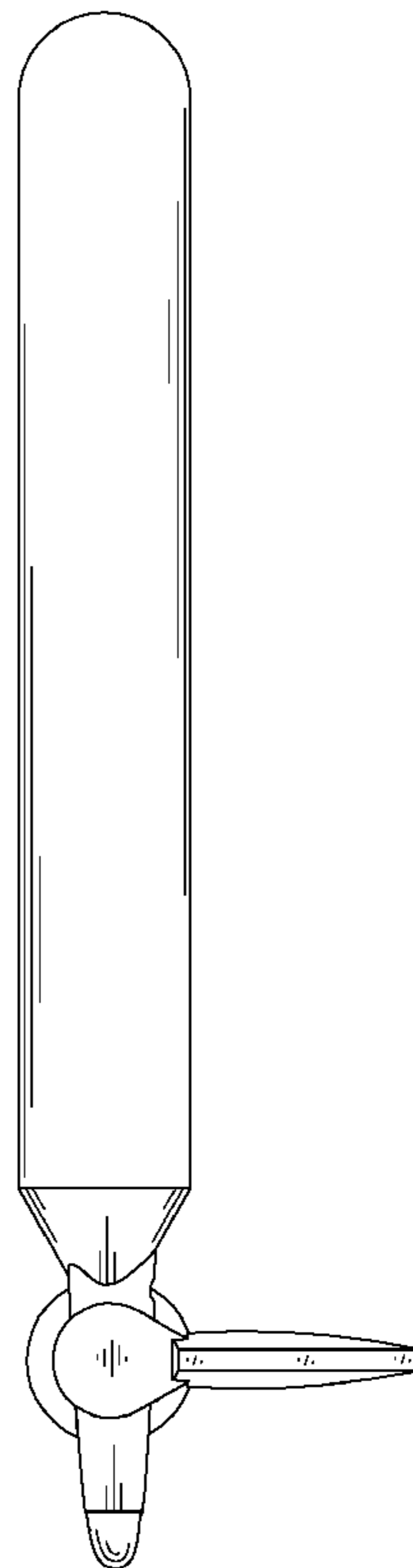
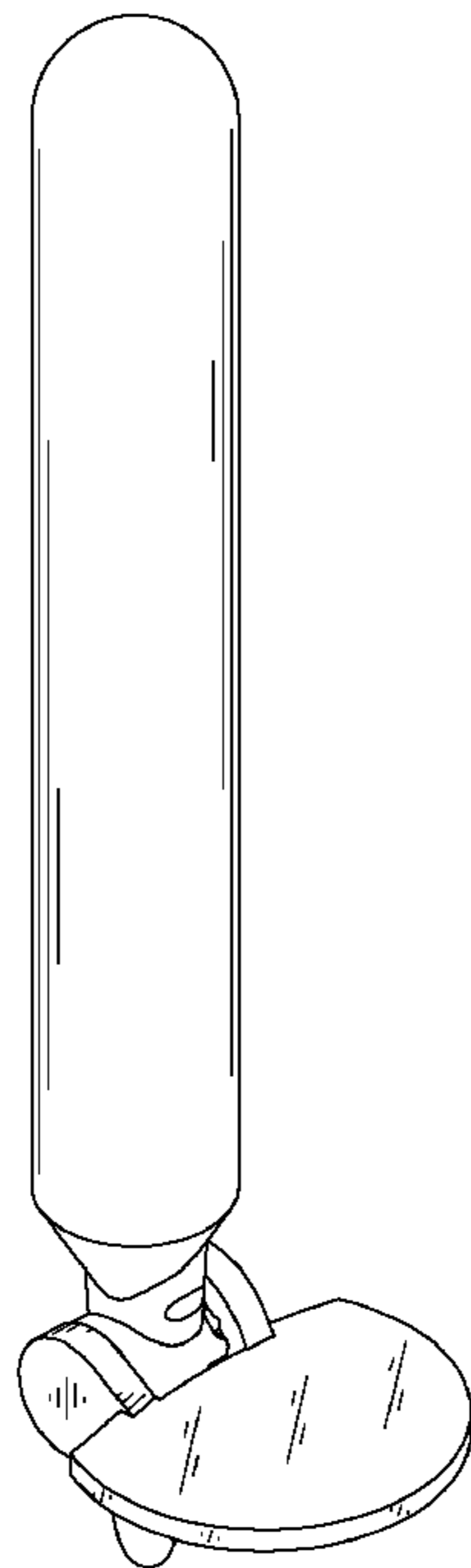
(57) **CLAIM**

The ornamental design for a stylus having font magnifier, as shown and described.

DESCRIPTION

FIG. 1 is a perspective view of a stylus having font magnifier showing my new design;
FIG. 2 is a front elevational view of the stylus having font magnifier;
FIG. 3 is a rear elevational view of the stylus having font magnifier;
FIG. 4 is a left side elevational view of the stylus having font magnifier;
FIG. 5 is a right side elevational view of the stylus having font magnifier;
FIG. 6 is a top plan view of the stylus having font magnifier; and,
FIG. 7 is a bottom plan view of the stylus having font magnifier.

1 Claim, 7 Drawing Sheets



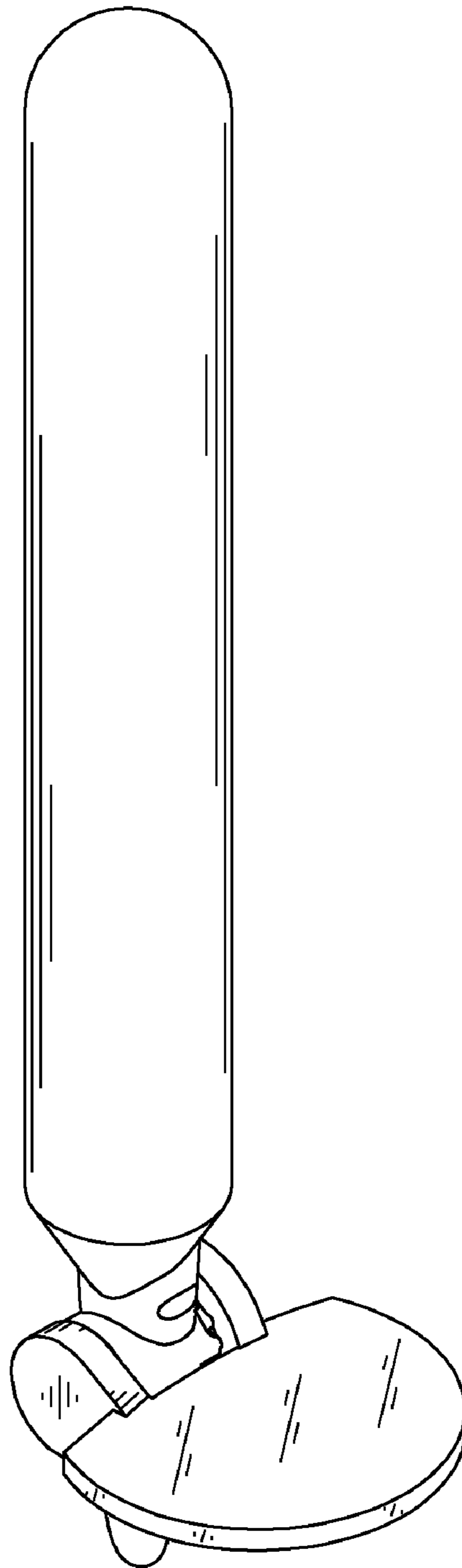


FIG. 1



FIG. 2

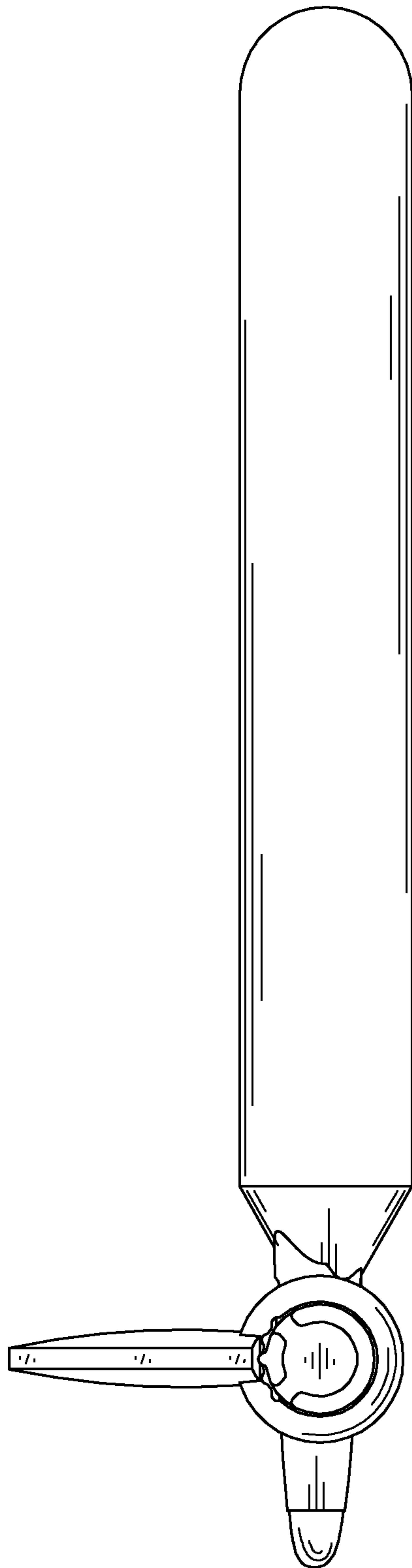


FIG. 3

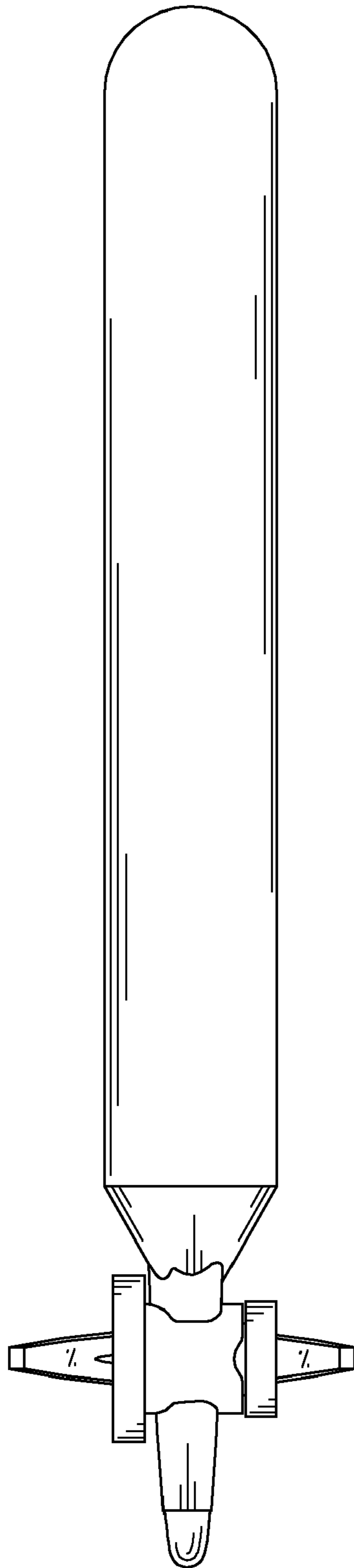


FIG. 4

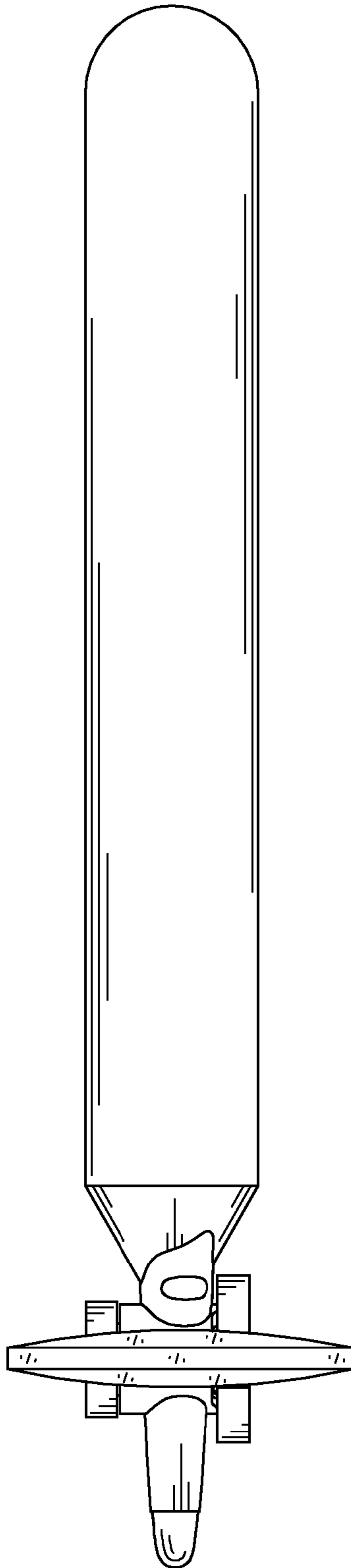


FIG. 5

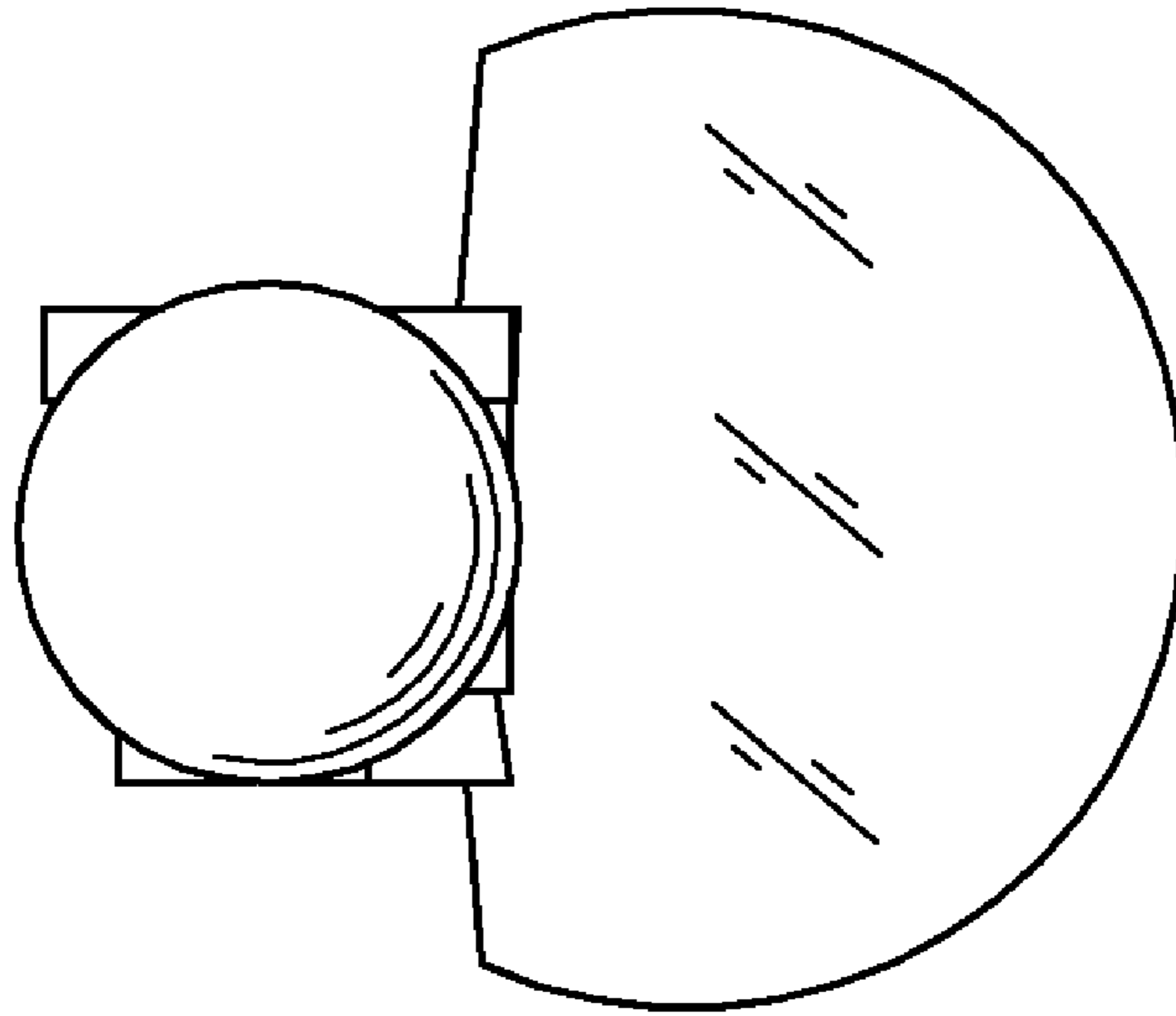


FIG. 6

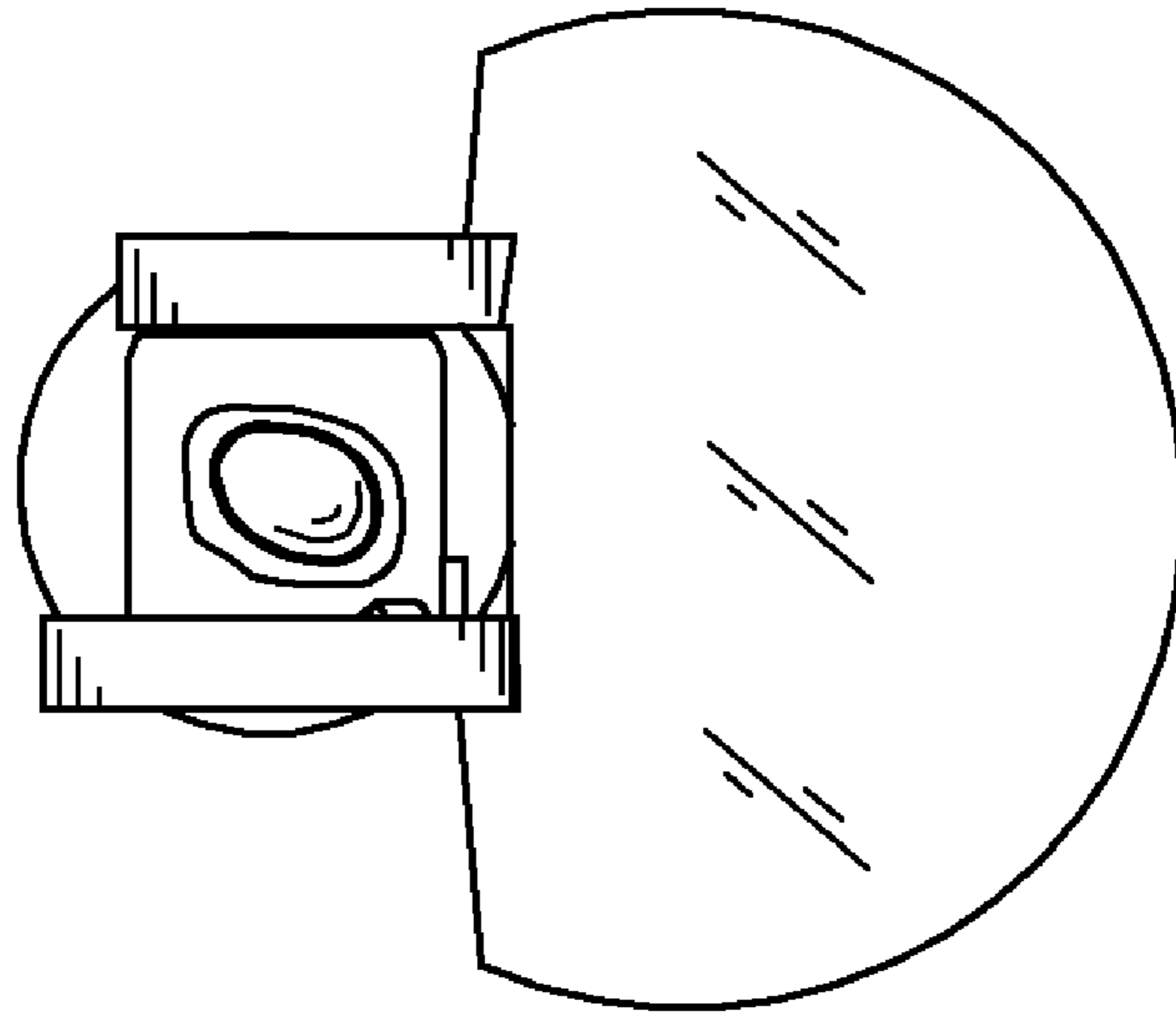


FIG. 7