



US00D640693S

(12) **United States Design Patent**
Chen

(10) **Patent No.:** **US D640,693 S**

(45) **Date of Patent:** **** Jun. 28, 2011**

(54) **DISPLAY**

(75) Inventor: **Yi-Cheng Chen**, Taipei County (TW)

(73) Assignee: **Hannspree, Inc.**, Taipei County (TW)

(**) Term: **14 Years**

(21) Appl. No.: **29/375,924**

(22) Filed: **Sep. 29, 2010**

(51) **LOC (9) Cl.** **14-02**

(52) **U.S. Cl.** **D14/371; D6/308**

(58) **Field of Classification Search** D14/371-376,
D14/125-129, 336; D6/300, 308; D21/324,
D21/328, 329; 345/104, 156, 173, 174; 348/180,
348/184, 325, 739; 361/679.08, 679.23;
349/1, 2, 11, 58; 248/122.1, 278.1; 341/12
See application file for complete search history.

(56) **References Cited**

U.S. PATENT DOCUMENTS

D439,620 S *	3/2001	Podd et al.	D21/329
D467,620 S *	12/2002	Lin	D21/329
D469,089 S *	1/2003	Lin	D14/371
D474,465 S *	5/2003	Liu	D14/371
D475,706 S *	6/2003	Lin	D14/371

D482,031 S *	11/2003	Lin	D14/371
D498,755 S *	11/2004	Chen	D14/371
D596,053 S *	7/2009	Daicos	D10/46.1
D596,239 S *	7/2009	Huang et al.	D20/37
D606,996 S *	12/2009	Chiu	D14/371
2005/0048457 A1 *	3/2005	Ferrigno et al.	434/308

* cited by examiner

Primary Examiner — Freda Nunn

(74) *Attorney, Agent, or Firm* — Tim Tingkang Xia; Morris, Manning & Martin, LLP

(57) **CLAIM**

The ornamental design for a “display,” as shown and described.

DESCRIPTION

FIG. 1. is a front perspective view of a “display” of the present invention;

FIG. 2. is a front view thereof;

FIG. 3. is a rear view thereof;

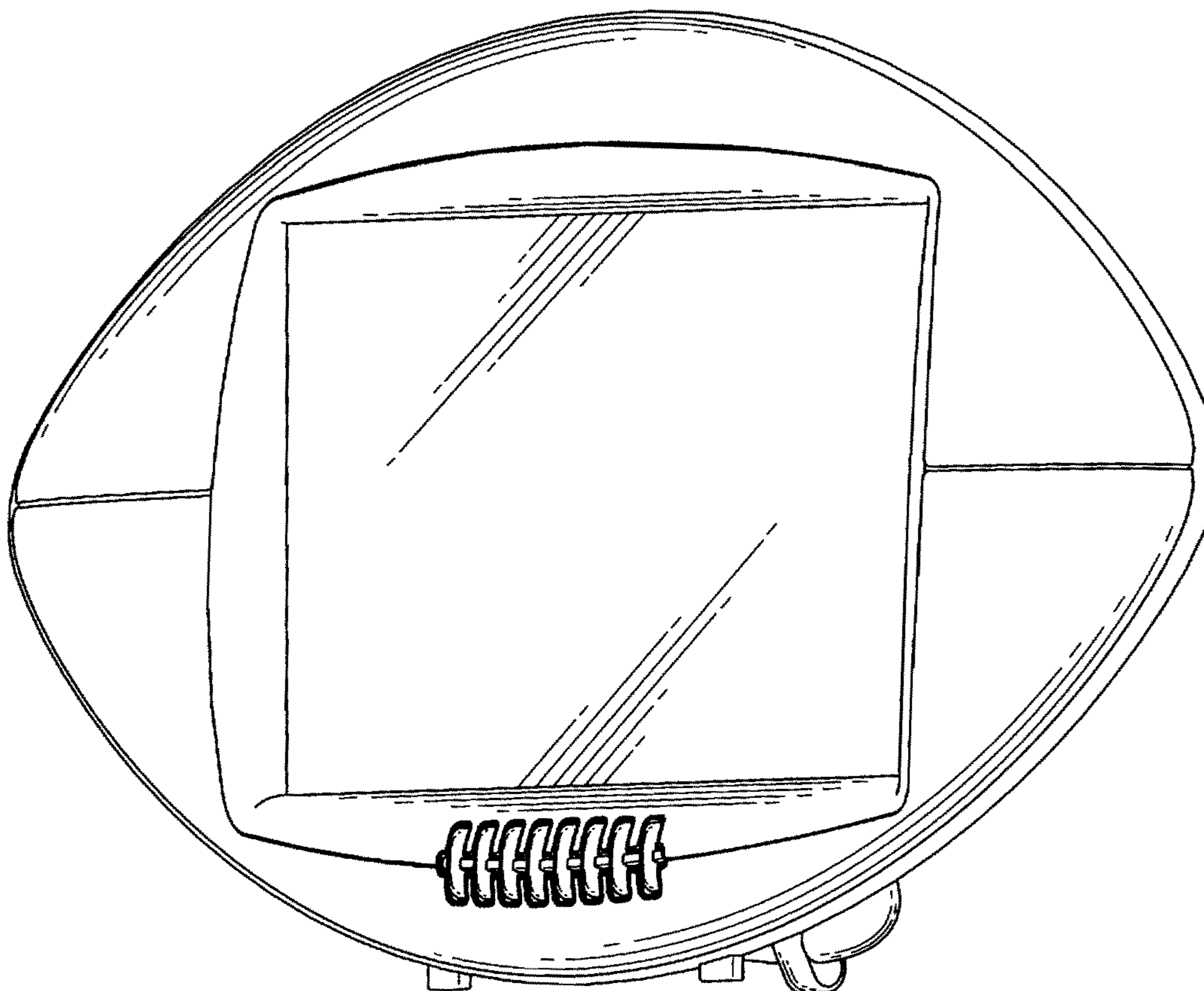
FIG. 4. is a left side view thereof;

FIG. 5. is a right side view thereof;

FIG. 6. is a top view thereof; and,

FIG. 7. is a bottom view thereof.

1 Claim, 7 Drawing Sheets



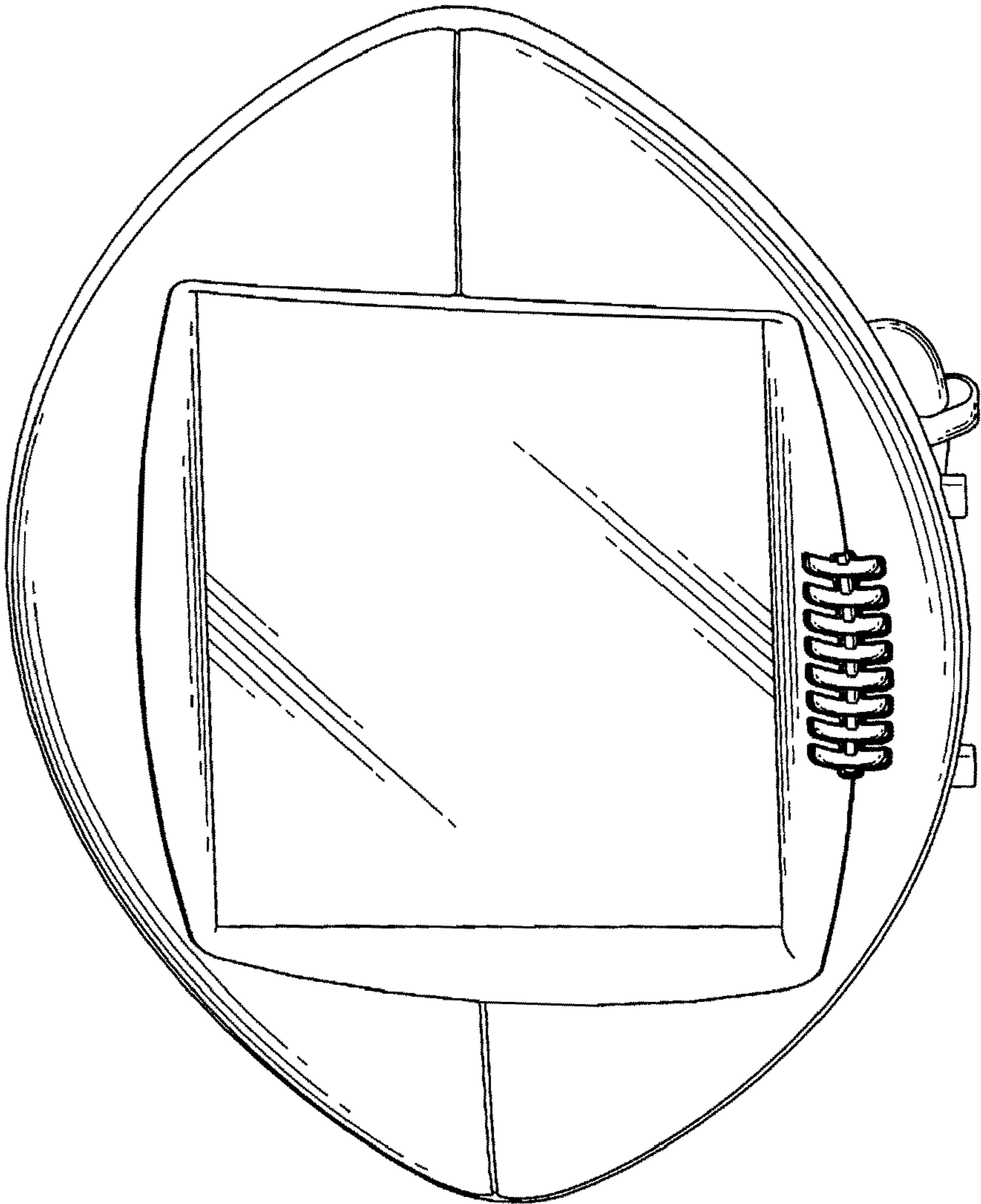


FIG. 1

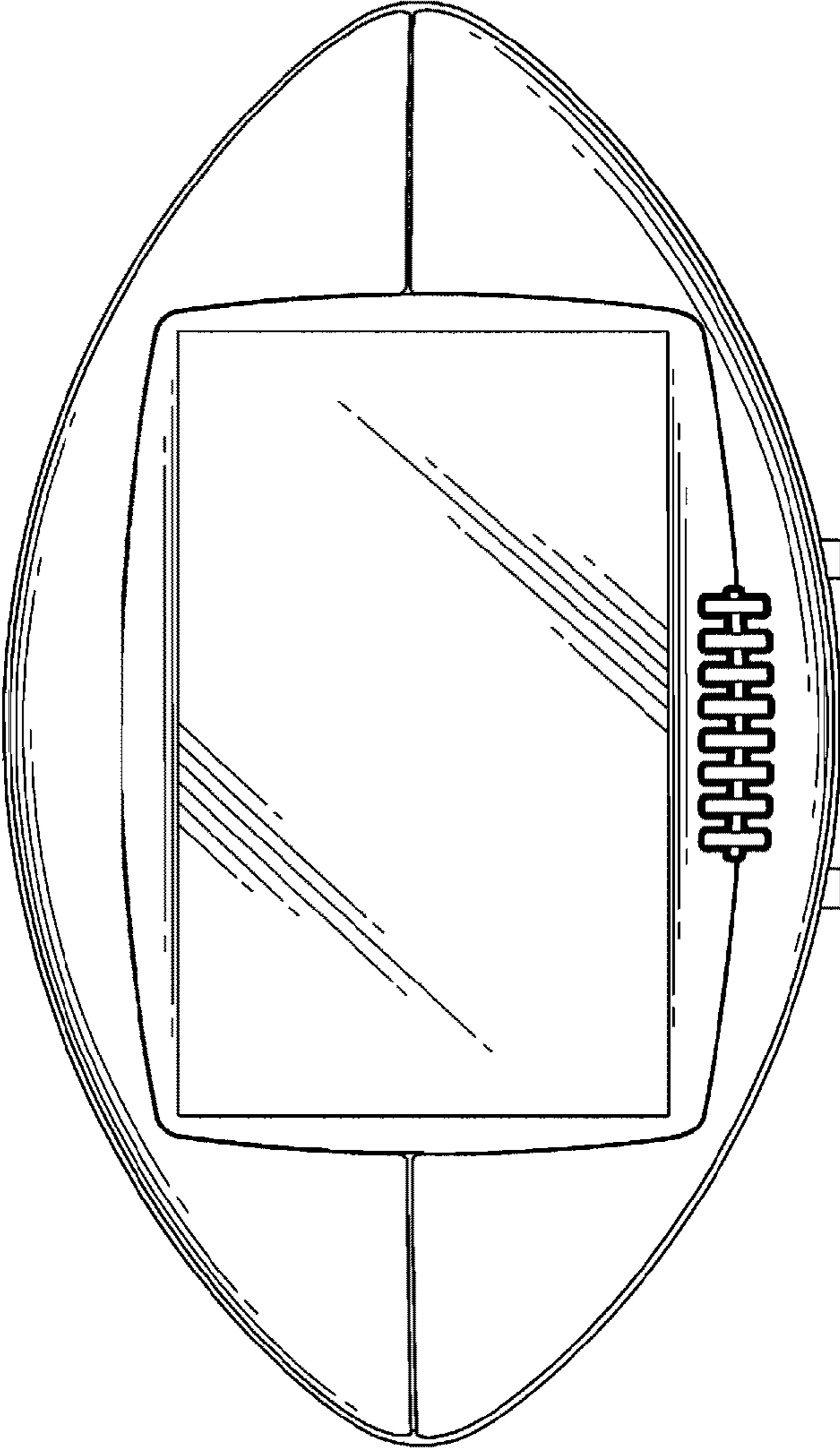


FIG. 2

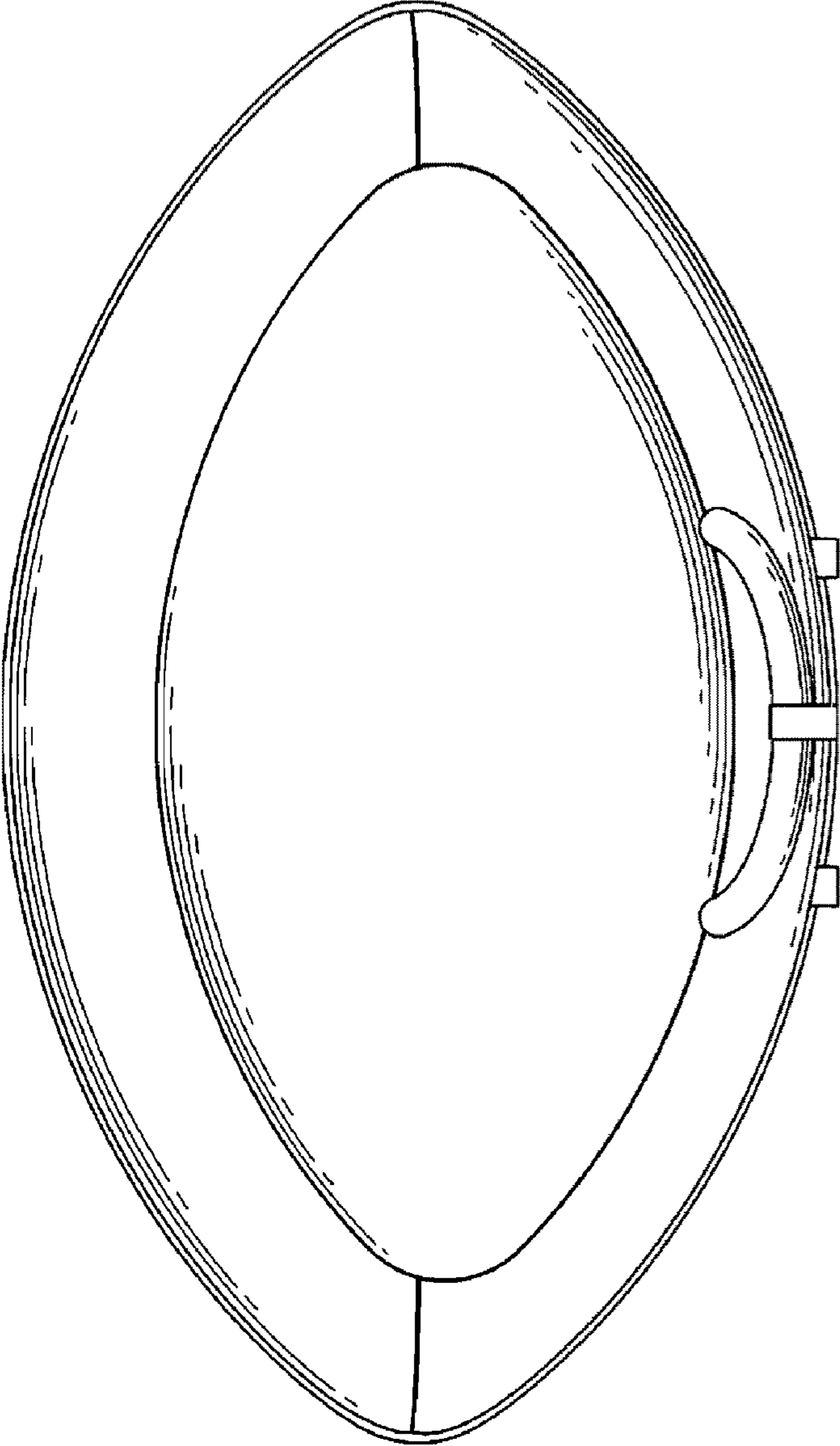


FIG. 3

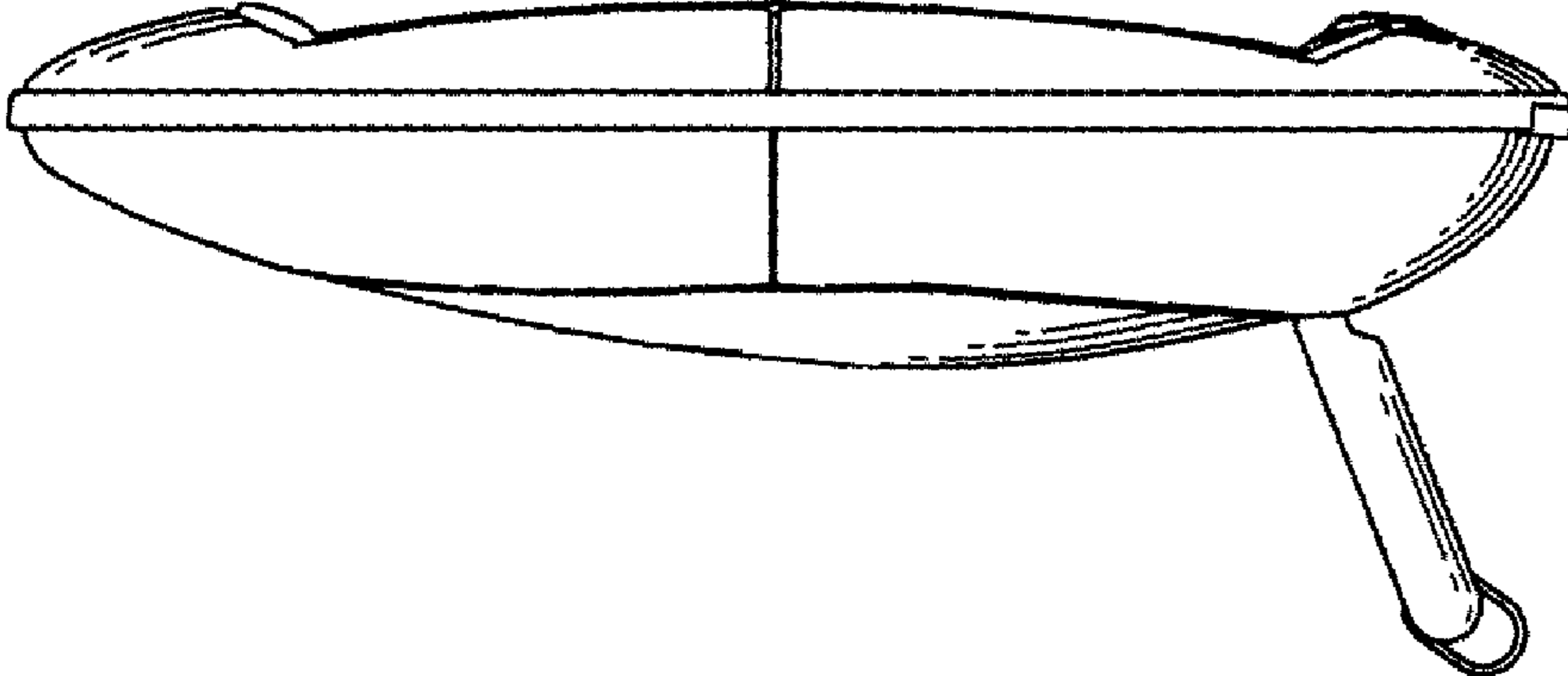


FIG. 4

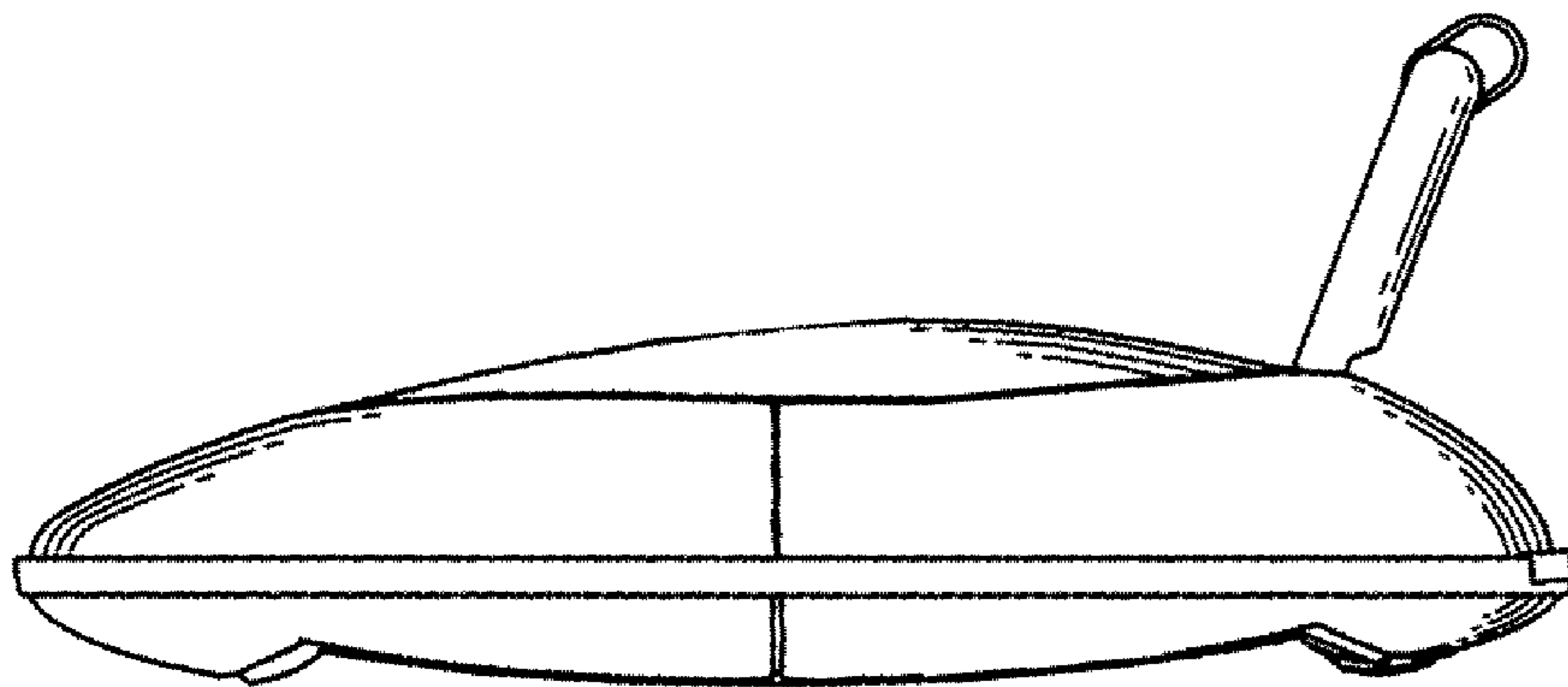


FIG. 5

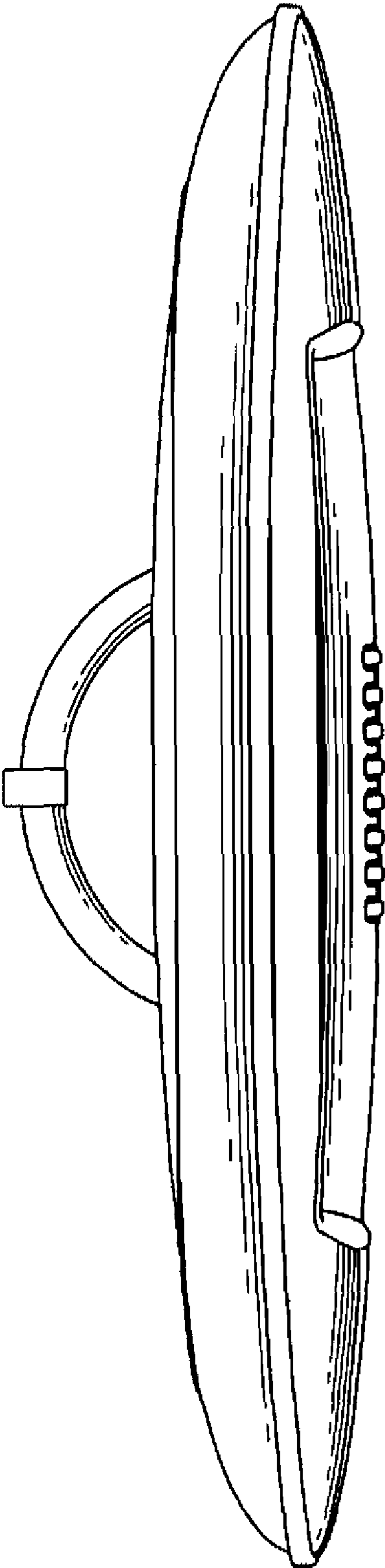


FIG. 6

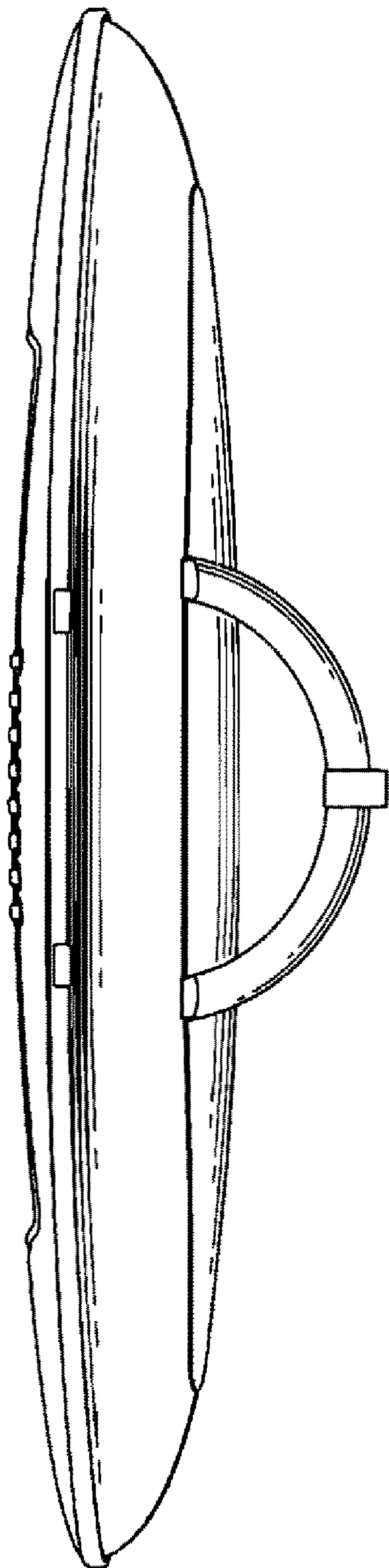


FIG. 7