



US00D640690S

(12) **United States Design Patent**
Hsieh et al.

(10) **Patent No.:** **US D640,690 S**

(45) **Date of Patent:** **** Jun. 28, 2011**

(54) **NETBOOK**

(75) Inventors: **Kuan-Hong Hsieh**, Taipei Hsien (TW);
Chiang-Kuo Tang, Taipei Hsien (TW);
Yu-Hou Chyan, Taipei Hsien (TW)

(73) Assignee: **Hon Hai Precision Industry Co., Ltd.**,
Tu-Cheng, New Taipei (TW)

(**) Term: **14 Years**

(21) Appl. No.: **29/375,801**

(22) Filed: **Sep. 27, 2010**

(51) **LOC (9) Cl.** **14-02**

(52) **U.S. Cl.** **D14/346**

(58) **Field of Classification Search** D14/341-347,
D14/496, 137, 203.1, 203.3, 203.4, 203.5,
D14/203.6, 203.7, 203.9, 238.1, 247, 248,
D14/138 R, 138 AA, 138 AB, 138 AC, 138 AD,
D14/138 C, 138 G; 345/901, 905; 379/433.13,
379/433.12, 916, 433.04, 433.07, 433.11;
455/556.1, 556.2, 566, 575.1, 575.3, 575.4,
455/90.3

See application file for complete search history.

(56) **References Cited**

U.S. PATENT DOCUMENTS

D367,043 S * 2/1996 Ross et al. D14/346
D525,621 S * 7/2006 Hirota D14/346
D551,665 S * 9/2007 Tom et al. D14/346

D580,930 S * 11/2008 Chien et al. D14/346
D584,304 S * 1/2009 Lin D14/346
7,495,895 B2 * 2/2009 Carnevali 361/679.26
D592,211 S * 5/2009 Ichise et al. D14/346
D595,290 S * 6/2009 Takemasa D14/346
D601,557 S * 10/2009 Wesolek D14/341
D602,933 S * 10/2009 Huang et al. D14/346
D604,299 S * 11/2009 Acevedo D14/346
D613,286 S * 4/2010 Lee et al. D14/341
D614,618 S * 4/2010 Morabito D14/346

* cited by examiner

Primary Examiner — Angela Lee

(74) *Attorney, Agent, or Firm* — Zhigang Ma

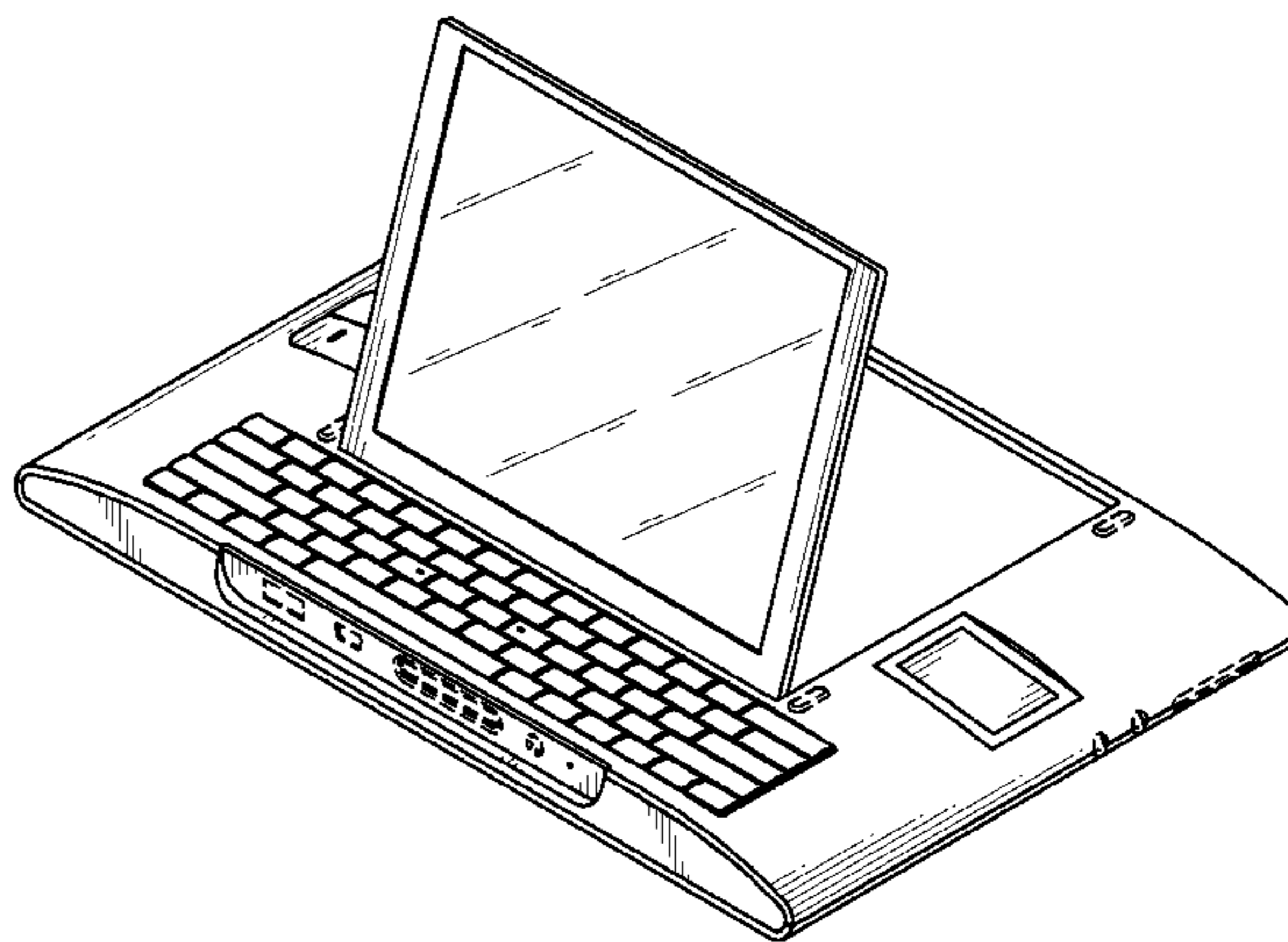
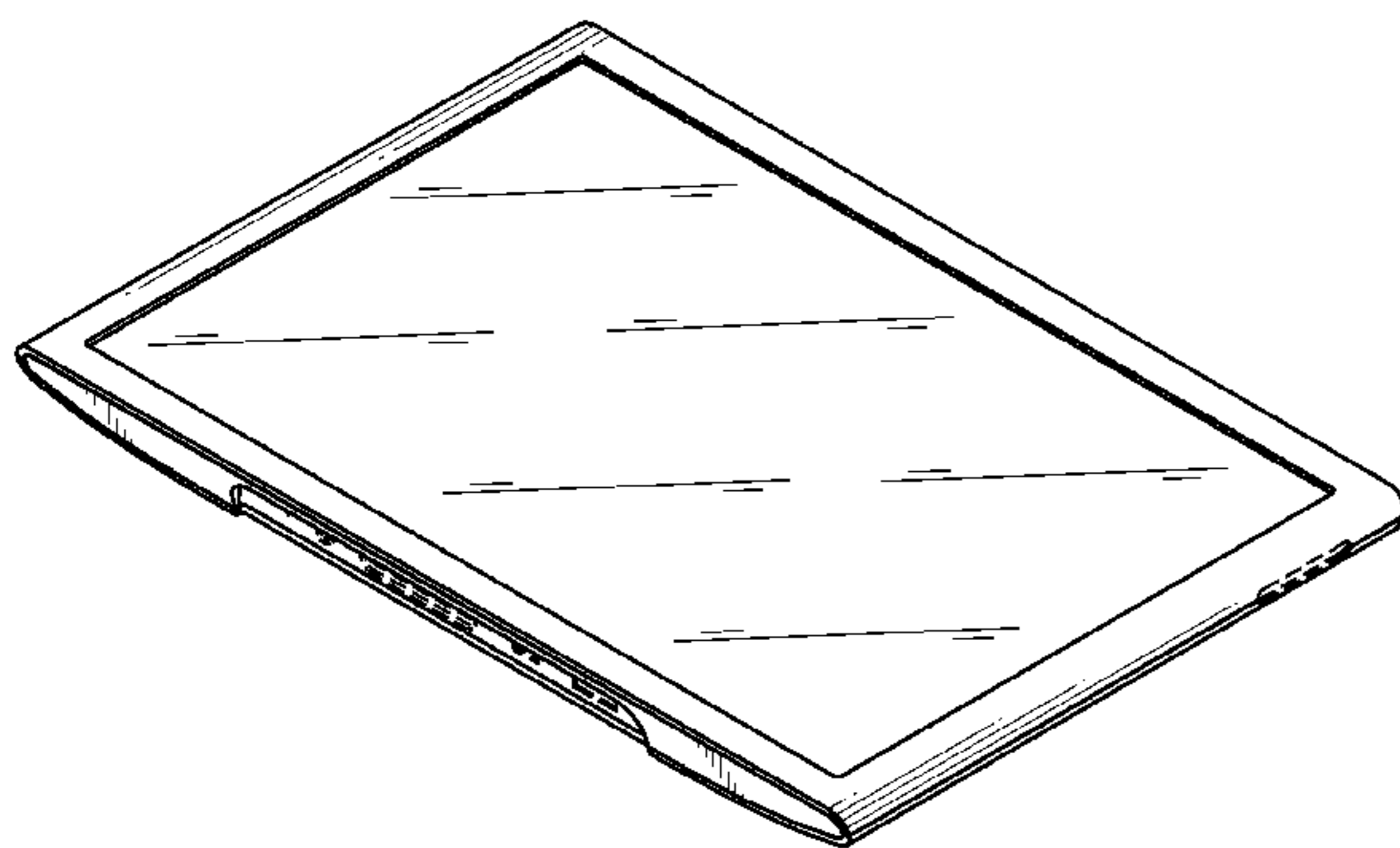
(57) **CLAIM**

The ornamental design for a netbook, as shown and described.

DESCRIPTION

FIG. 1 is a perspective view of the design for a netbook;
FIG. 2 is a front perspective view thereof.
FIG. 3 is a front elevational view thereof;
FIG. 4 is a rear elevational view thereof;
FIG. 5 is a left side elevational view thereof;
FIG. 6 is a right side elevational view thereof;
FIG. 7 is a top plan view thereof;
FIG. 8 is a bottom plan view thereof; and,
FIG. 9 is a perspective view thereof in an open position.
The broken lines are environmental only and form no part of the claimed design.

1 Claim, 9 Drawing Sheets



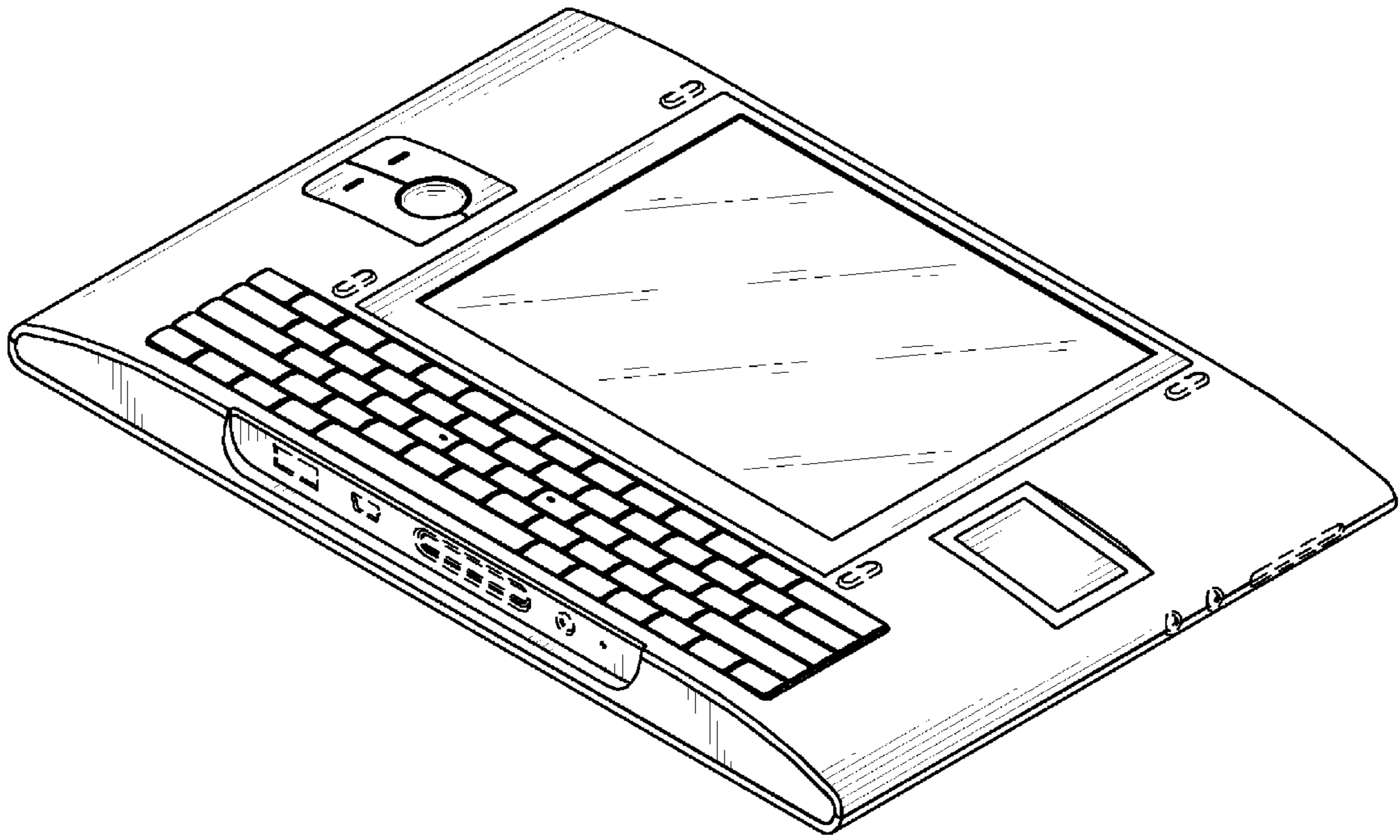


FIG. 1

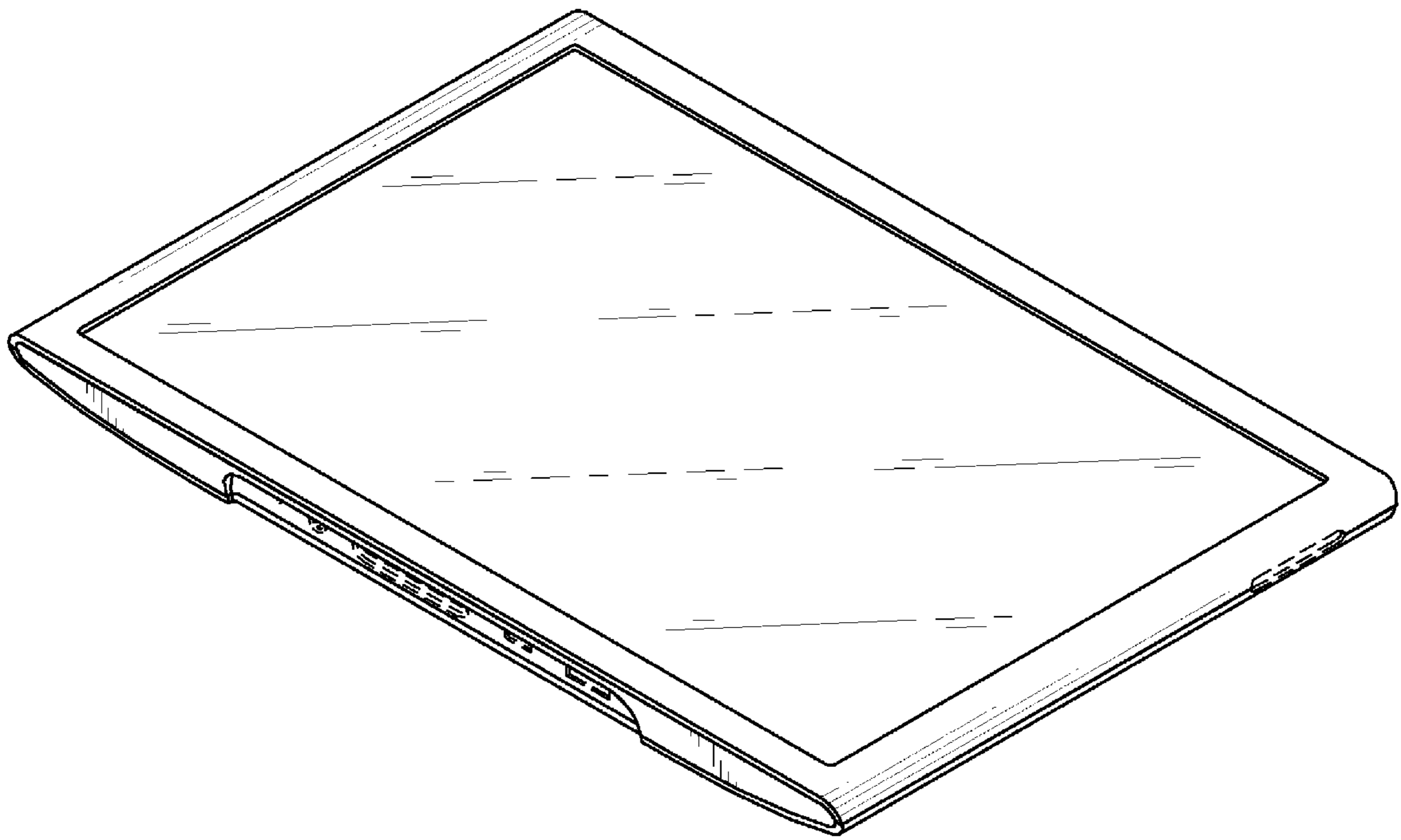


FIG. 2

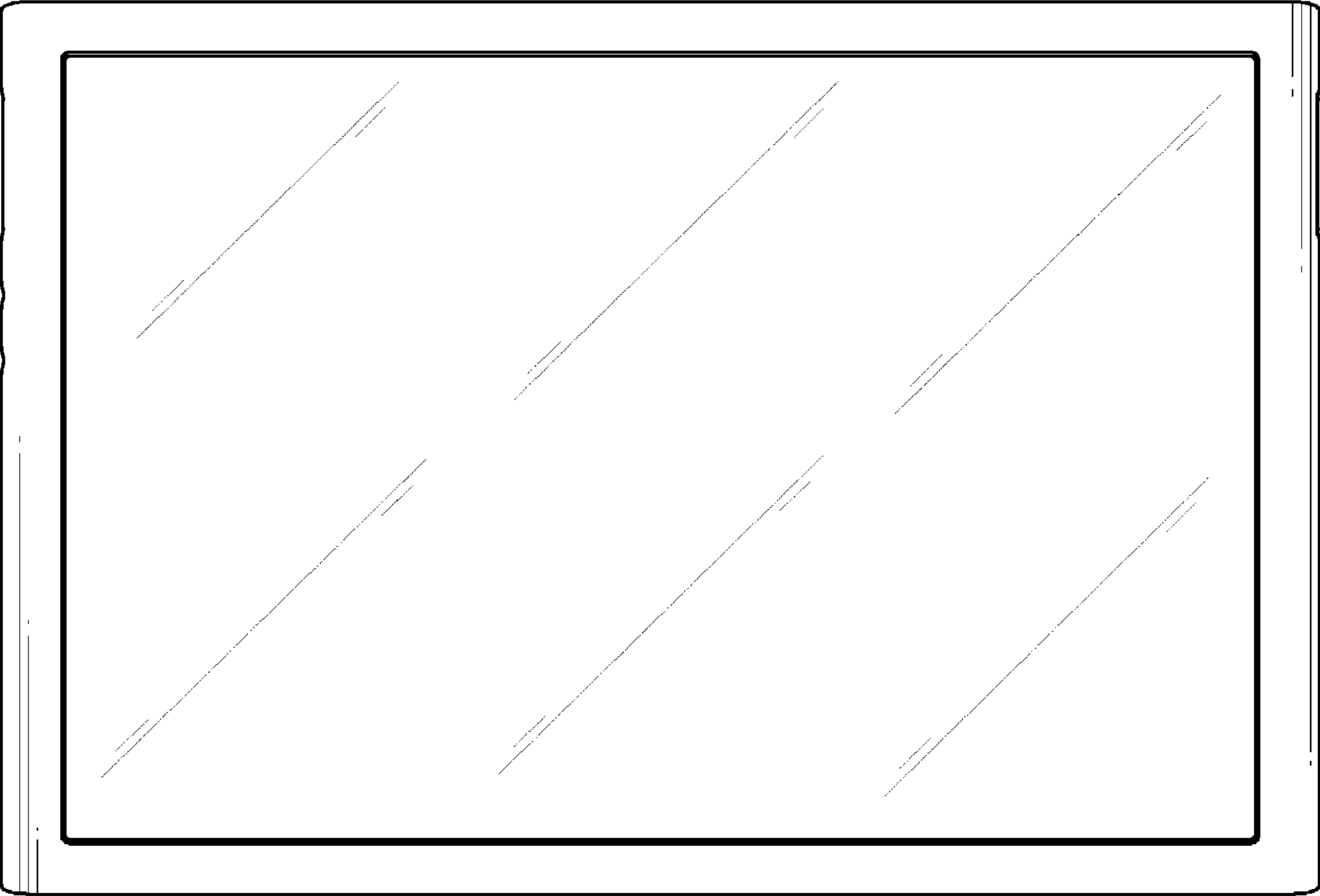


FIG. 3

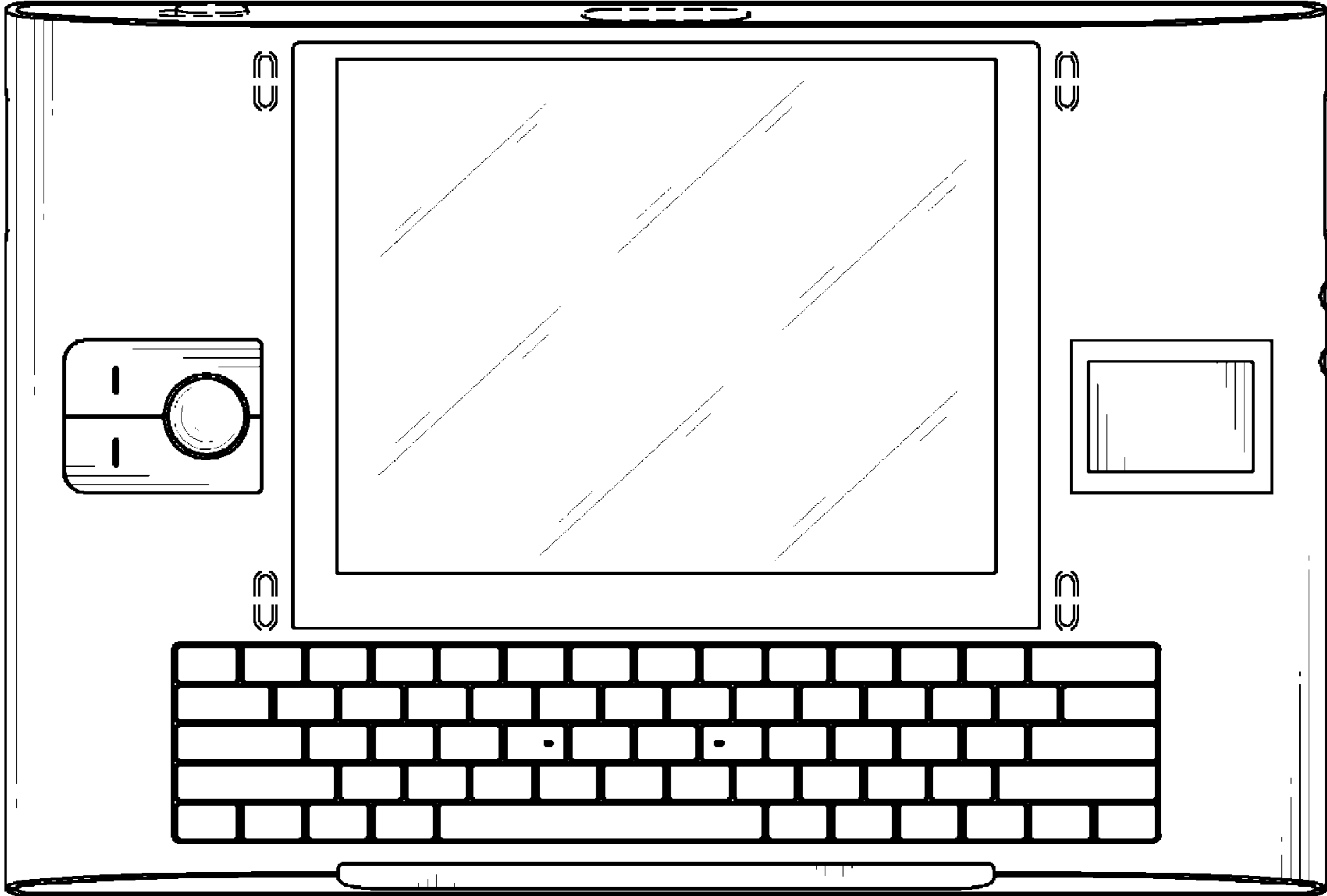


FIG. 4

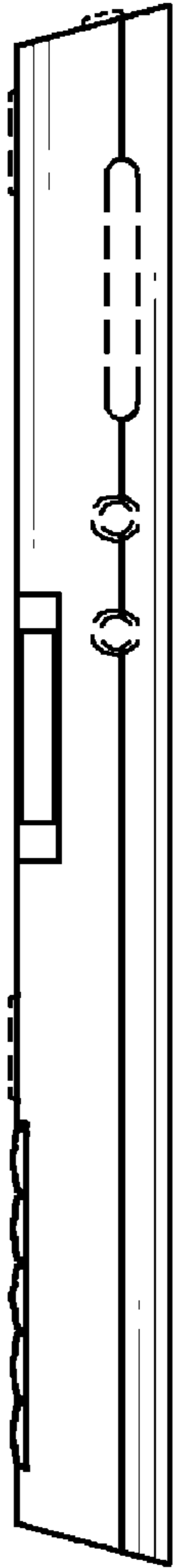


FIG. 5

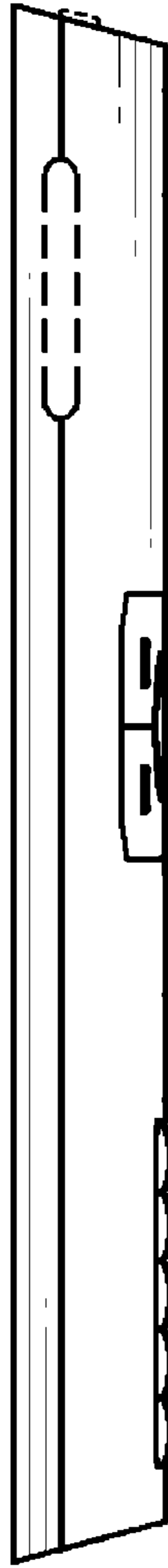


FIG. 6

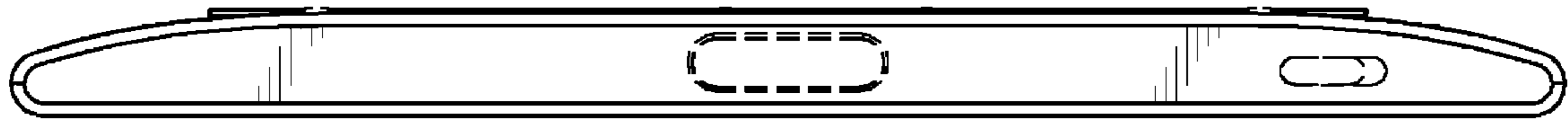


FIG. 7

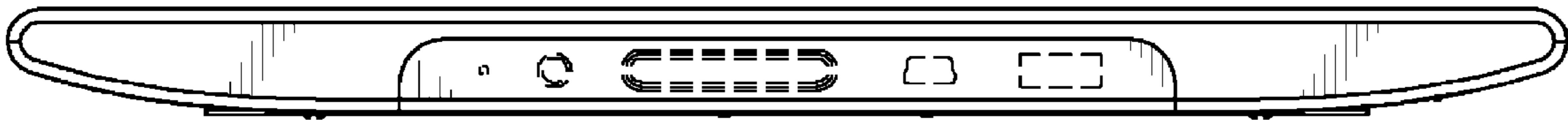


FIG. 8

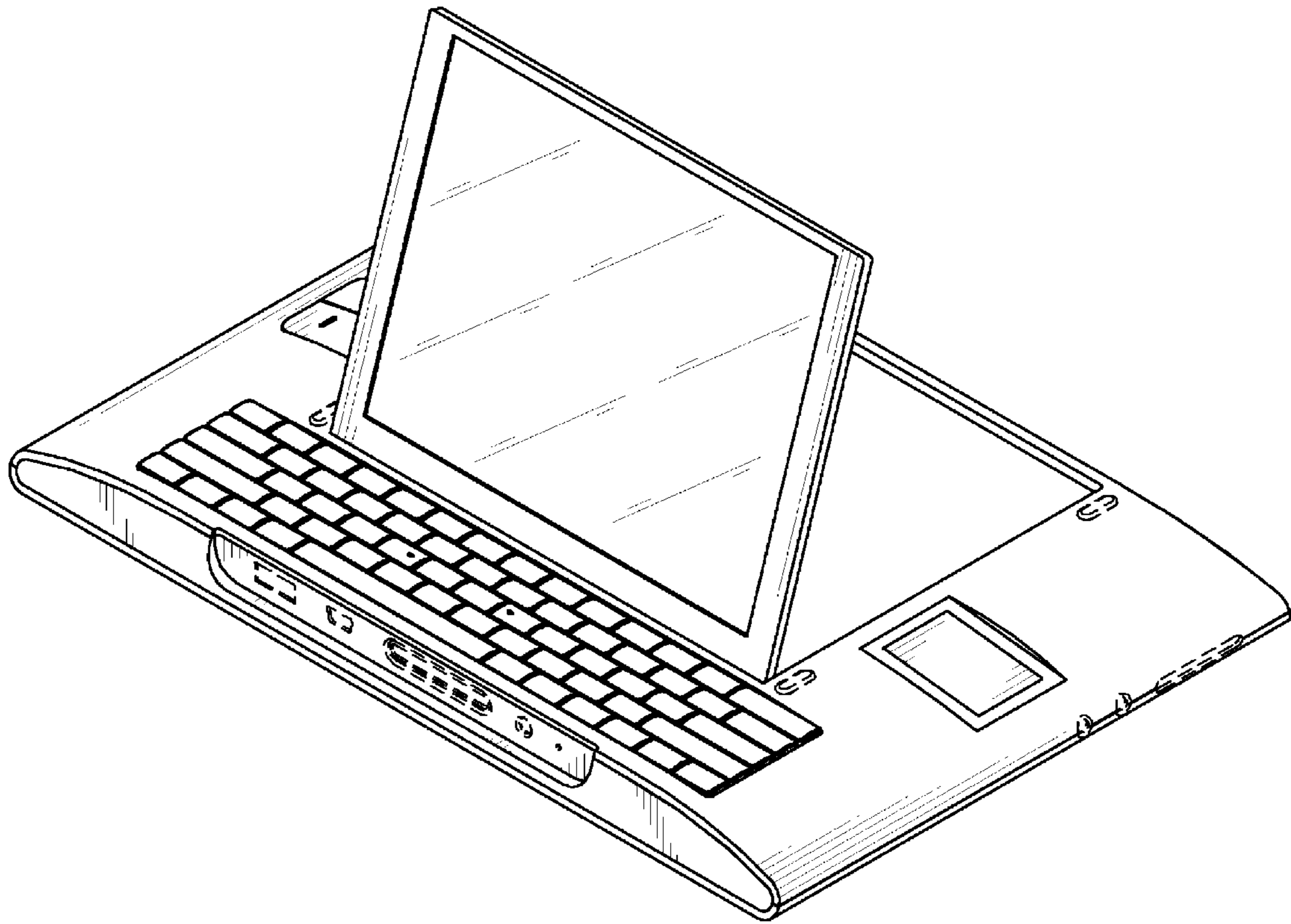


FIG. 9