



US00D640688S

(12) **United States Design Patent**
Park et al.

(10) **Patent No.:** **US D640,688 S**
(45) **Date of Patent:** **** Jun. 28, 2011**

(54) **SMART BOOK**

(75) Inventors: **Sang-II Park**, Kyunggi-do (KR);
Jun-Won Bae, Seoul (KR); **Jong-Chan Kwon**, Kyunggi-do (KR); **Hae-Jin Kim**, Seoul (KR)

(73) Assignee: **Samsung Electronics Co., Ltd.**, Suwon, Kyunggi-Do (KR)

(**) Term: **14 Years**

(21) Appl. No.: **29/372,664**

(22) Filed: **Dec. 22, 2010**

(30) **Foreign Application Priority Data**

Jun. 30, 2010 (KR) 30-2010-0028673

(51) **LOC (9) Cl.** **14-02**

(52) **U.S. Cl.** **D14/341**

(58) **Field of Classification Search** D14/341-347, D14/137, 138, 138.1, 138 AA, 138 R, 138 AB, D14/138 C, 138 G, 496, 203.1, 203.3, 203.4, D14/203.7, 426, 427, 428, 429, 130, 420, D14/439-441, 448, 125, 147, 156, 218, 389, D14/336, 315, 432, 129, 247-248, 250, 388; D10/65, 104; D21/324, 329, 330; D19/60; 345/169, 901, 905, 156, 173; 348/169; 361/804; 341/22, 23; 379/433.04, 433.07, 433.11, 379/916, 433.01, 433.06; D18/6, 7; 455/556.1, 455/556.2, 566, 575.1, 575.3, 575.4, 90.3

See application file for complete search history.

(56) **References Cited**

U.S. PATENT DOCUMENTS

2,815,786	A	*	12/1957	Robinson	150/147
D544,743	S	*	6/2007	Lax et al.	D6/634
D587,704	S	*	3/2009	McCoy	D14/345
D616,881	S	*	6/2010	Andre et al.	D14/318
D618,683	S	*	6/2010	Wilson et al.	D14/371
D626,546	S	*	11/2010	Paek	D14/315
D627,773	S	*	11/2010	Paek	D14/315
D631,040	S	*	1/2011	Yoon et al.	D14/327
D631,878	S	*	2/2011	Jensen et al.	D14/315

OTHER PUBLICATIONS

U.S. Appl. No. 29/372,113, Applicant: EunuaeShally Lee, et al., filed Oct. 15, 2010 entitled Tablet Computer.
U.S. Appl. No. 29/372,112, Applicant: EunuaeShally Lee, et al., filed Oct. 15, 2010 entitled Table Computer.
U.S. Appl. No. 29/372,692, Applicant: Sang-II Park, et al., filed Dec. 28, 2010 entitled Smart Book.

* cited by examiner

Primary Examiner — Cathron C Brooks

Assistant Examiner — Barbara Fox

(74) *Attorney, Agent, or Firm* — Flynn, Thiel, Boutell & Tanis, P.C.

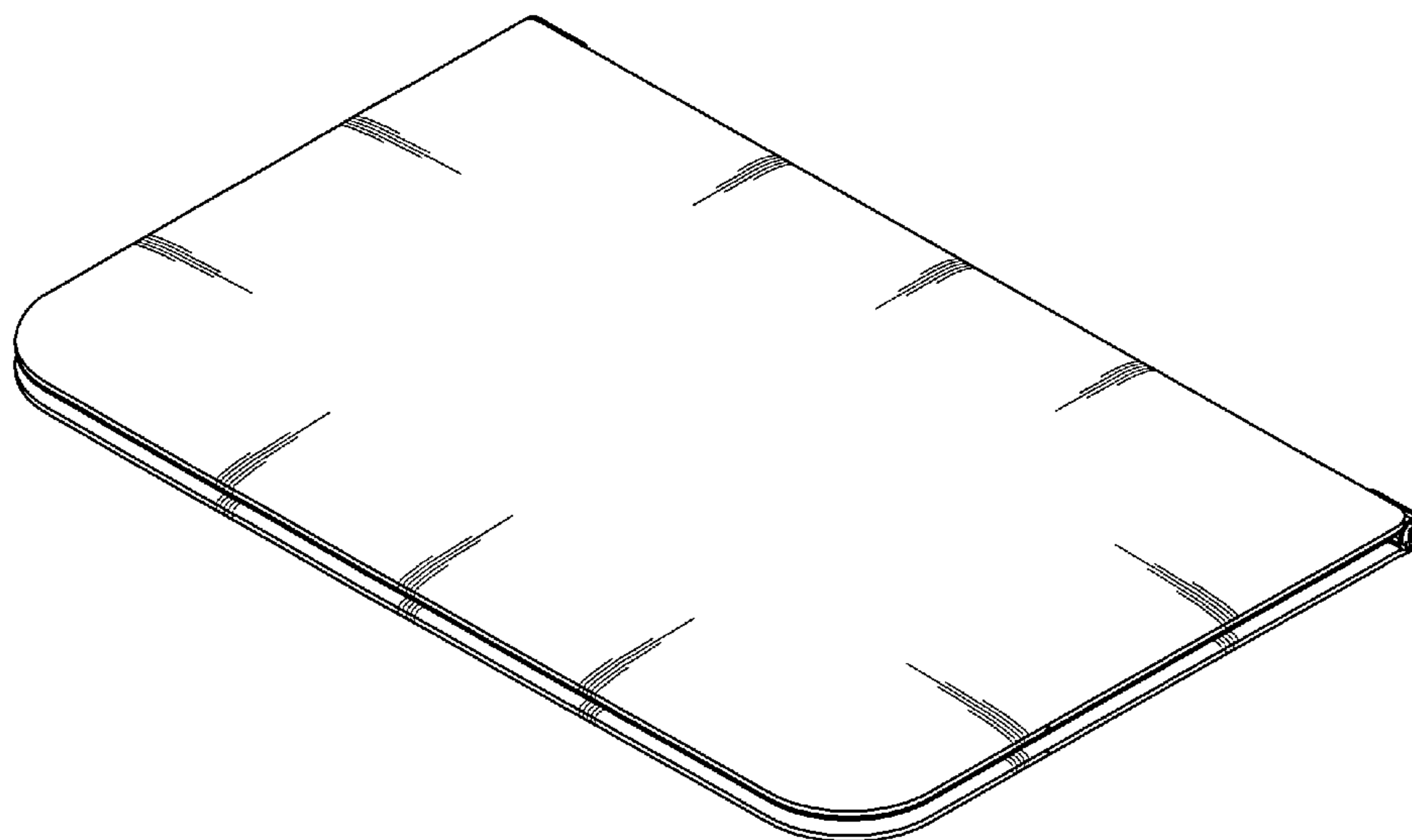
(57) **CLAIM**

The ornamental design for a smart book, as shown and described.

DESCRIPTION

FIG. 1 is a top front perspective view of a smart book showing our new design;
FIG. 2 is a front elevational view thereof;
FIG. 3 is a rear elevational view thereof;
FIG. 4 is a left side elevational view thereof;
FIG. 5 is a right side elevational view thereof;
FIG. 6 is a top plan view thereof; and,
FIG. 7 is a bottom plan view thereof.

1 Claim, 3 Drawing Sheets



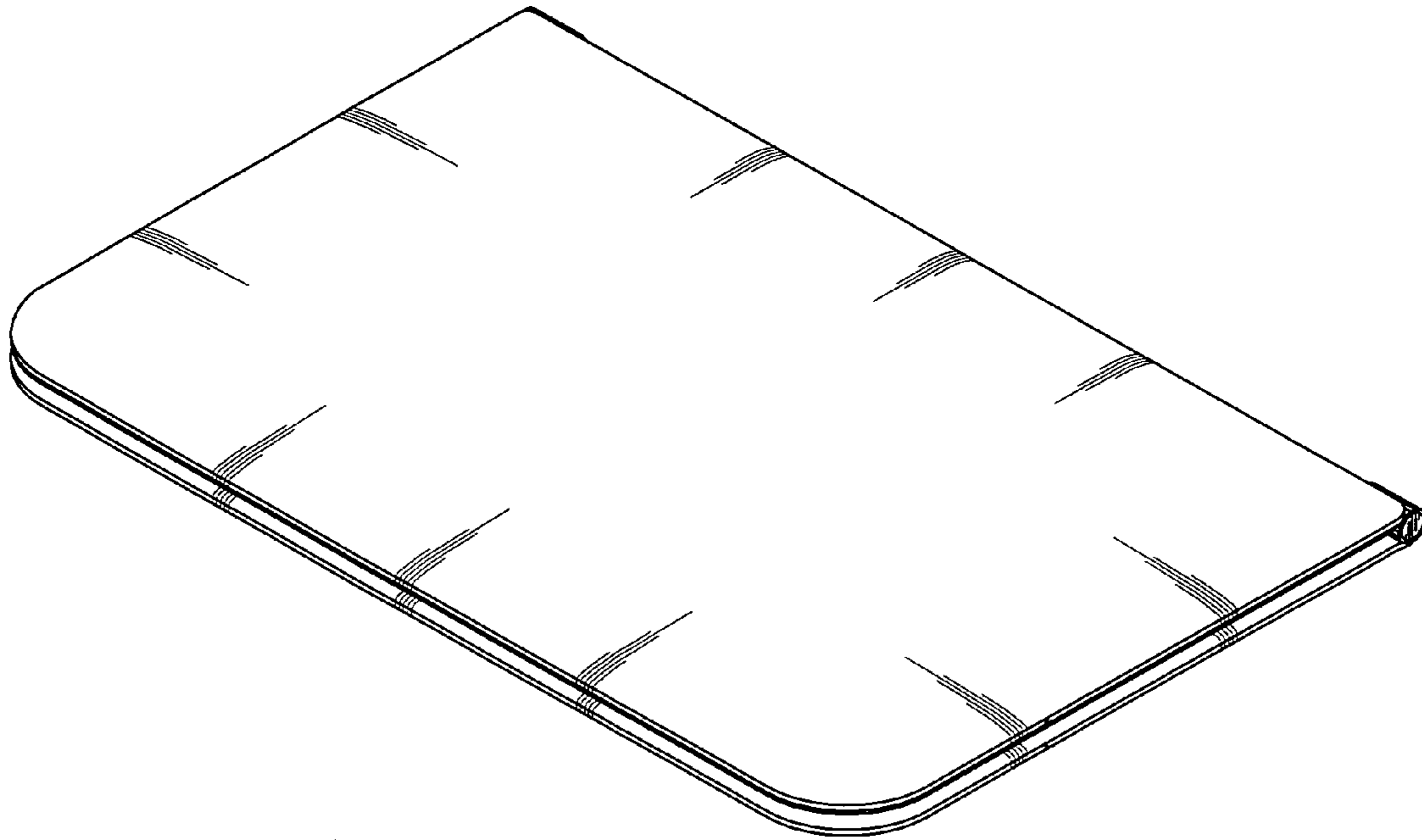


FIG.1

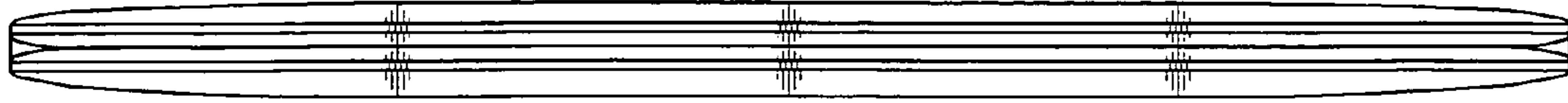


FIG. 2



FIG. 3



FIG. 4



FIG. 5

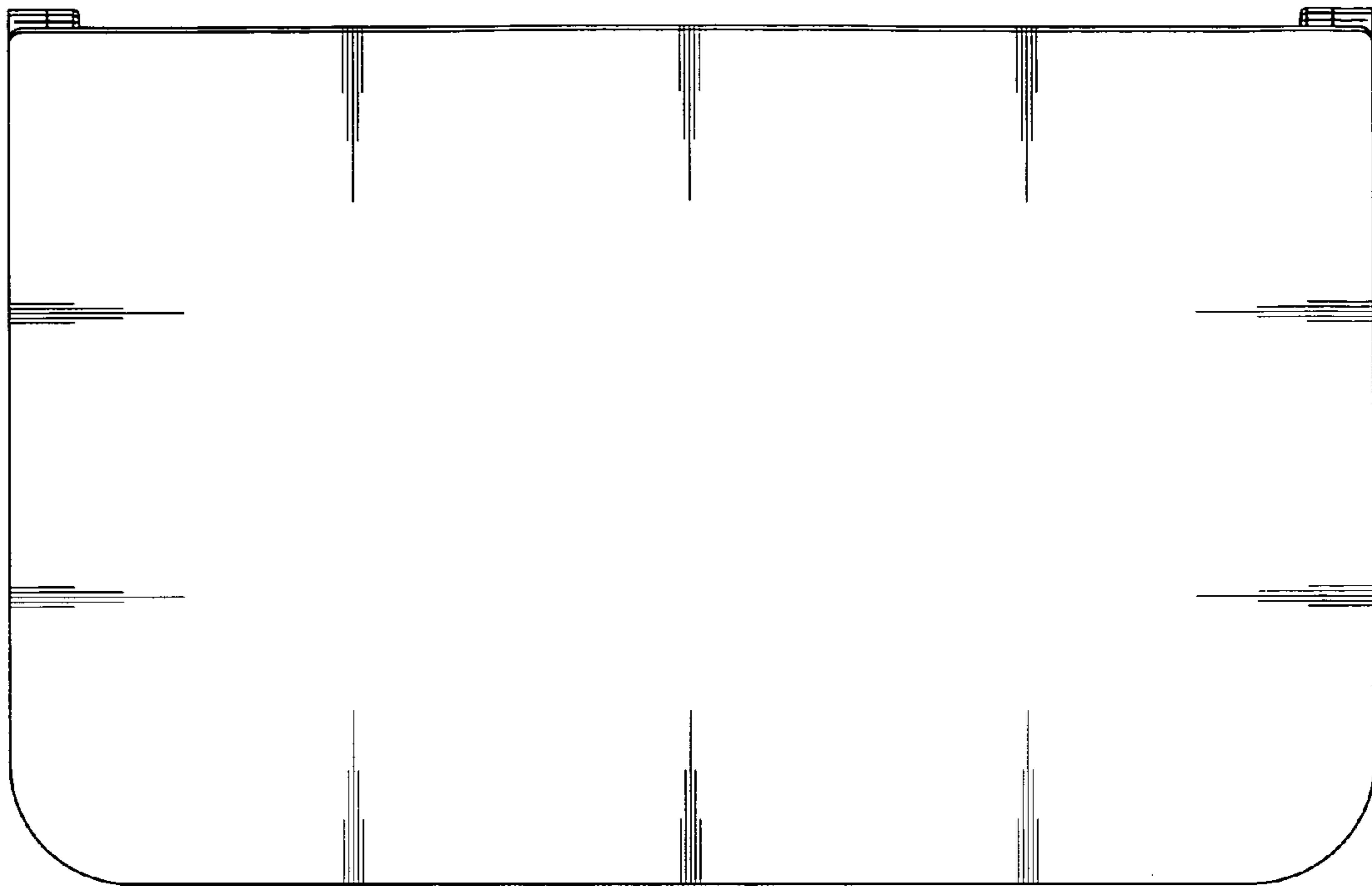


FIG.6

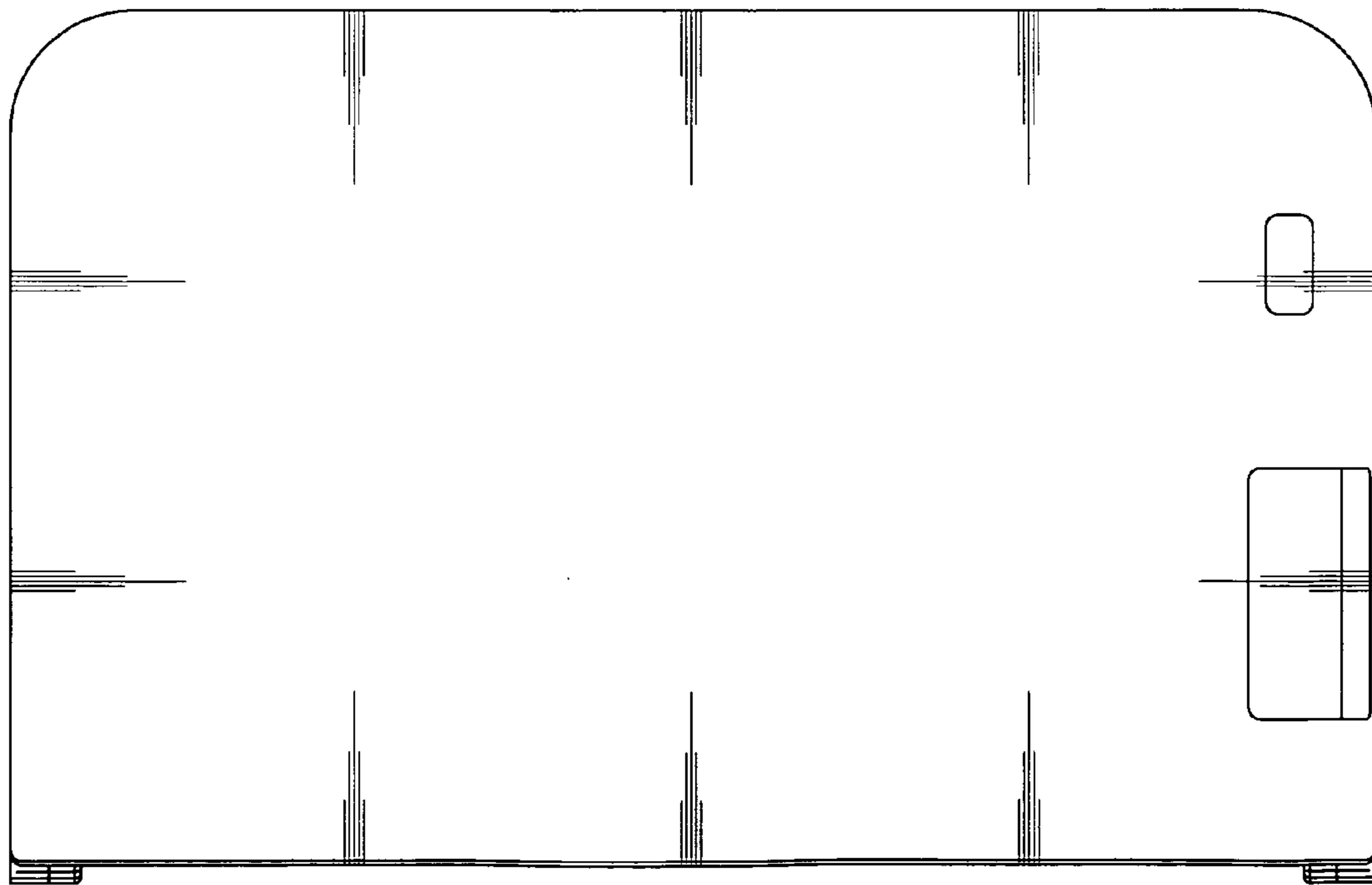


FIG.7