



US00D640686S

(12) **United States Design Patent**
Daniel

(10) **Patent No.:** **US D640,686 S**

(45) **Date of Patent:** **** Jun. 28, 2011**

(54) **LAPTOP WITH DUAL SCREENS AND
REMOVABLE KEYBOARD**

2005/0270277 A1* 12/2005 Park 345/173
2006/0038795 A1* 2/2006 Lee 345/173
2006/0109259 A1* 5/2006 Ohta 345/173

* cited by examiner

(75) Inventor: **Isaac Sayo Daniel**, Miramar, FL (US)

Primary Examiner — Freda Nunn

(73) Assignee: **Lead Technology Capital
Management, LLC**, Miami, FL (US)

(74) *Attorney, Agent, or Firm* — Carol N. Green, Esq.

(**) Term: **14 Years**

(57) **CLAIM**

The ornamental design for a laptop with dual screens and removable keyboard, as shown and described.

(21) Appl. No.: **29/364,153**

DESCRIPTION

(22) Filed: **Jun. 18, 2010**

(51) **LOC (9) Cl.** **14-02**

(52) **U.S. Cl.** **D14/327**

(58) **Field of Classification Search** D14/371–375,
D14/126–129, 331, 341, 315, 318, 336, 337;
341/12; 345/104, 156, 168, 173, 87, 901–905;
348/180, 184, 373, 739; 349/1, 2, 58, 62;
248/917–924; 361/679.04; D6/308

FIG. 1 is a front perspective view of the laptop with dual screens and removable keyboard in an open position.

FIG. 2 is a rear perspective view of the laptop in an open position showing one of the screens positioned on the rear of the laptop, as well as the removable keyboard.

FIG. 3 is a left side view of the laptop with dual screens and removable keyboard in an open position.

FIG. 4 is a top plan view of the laptop with dual screens and removable keyboard in an open position.

FIG. 5 is a bottom plan view of the laptop with dual screens and removable keyboard.

FIG. 6 is a front view of the laptop with dual screens and removable keyboard.

FIG. 7 is a rear view of the laptop with dual screens and removable keyboard.

FIG. 8 is a front perspective view of the laptop with dual screens and removable keyboard, with the removable keyboard detached.

FIG. 9 is a perspective view of the laptop with dual screens and removable keyboard in a closed position.

FIG. 10 is a left side view of the laptop with dual screens and removable keyboard, in a closed position.

FIG. 11 is a standing vertically perspective view of the laptop with dual screens and removable keyboard in a closed position; and,

FIG. 12 is a standing vertically perspective view of the laptop with dual screens and removable keyboard in an open position.

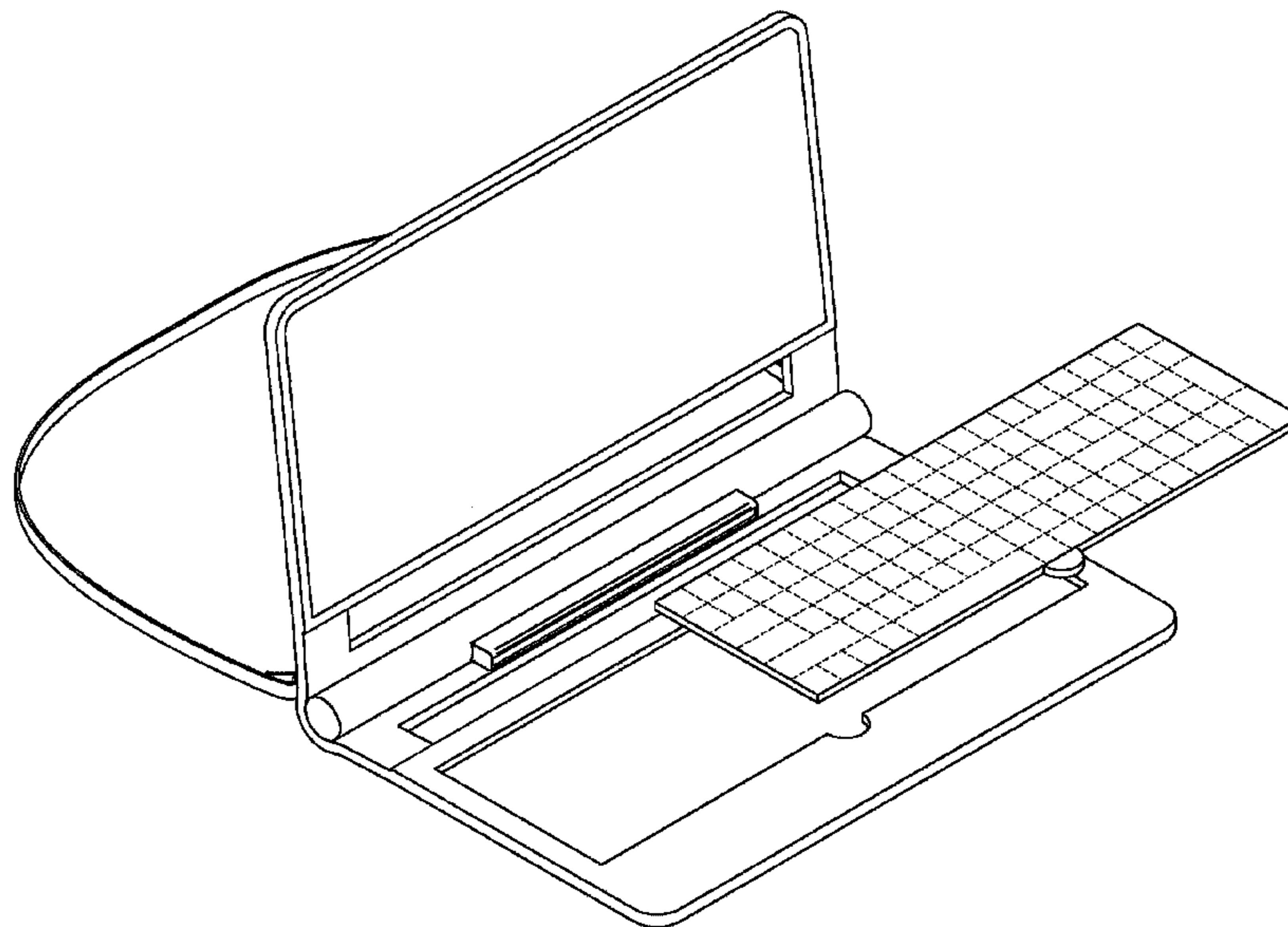
See application file for complete search history.

(56) **References Cited**

U.S. PATENT DOCUMENTS

D324,673	S *	3/1992	Iino	D14/315
5,900,848	A *	5/1999	Haneda et al.	345/1.1
D443,598	S *	6/2001	Katz	D14/396
6,714,403	B2 *	3/2004	Furuki et al.	361/679.09
6,768,635	B2 *	7/2004	Lai et al.	361/679.11
7,127,776	B2 *	10/2006	Park	16/239
7,433,179	B2 *	10/2008	Hisano et al.	361/679.27
D593,091	S *	5/2009	Behar et al.	D14/371
7,576,981	B2 *	8/2009	Kuo	361/679.59
D611,467	S *	3/2010	Gou	D14/315
2003/0090473	A1 *	5/2003	Joshi	345/173
2004/0212602	A1 *	10/2004	Nako et al.	345/173
2005/0264540	A1 *	12/2005	Niwa	345/173

1 Claim, 11 Drawing Sheets



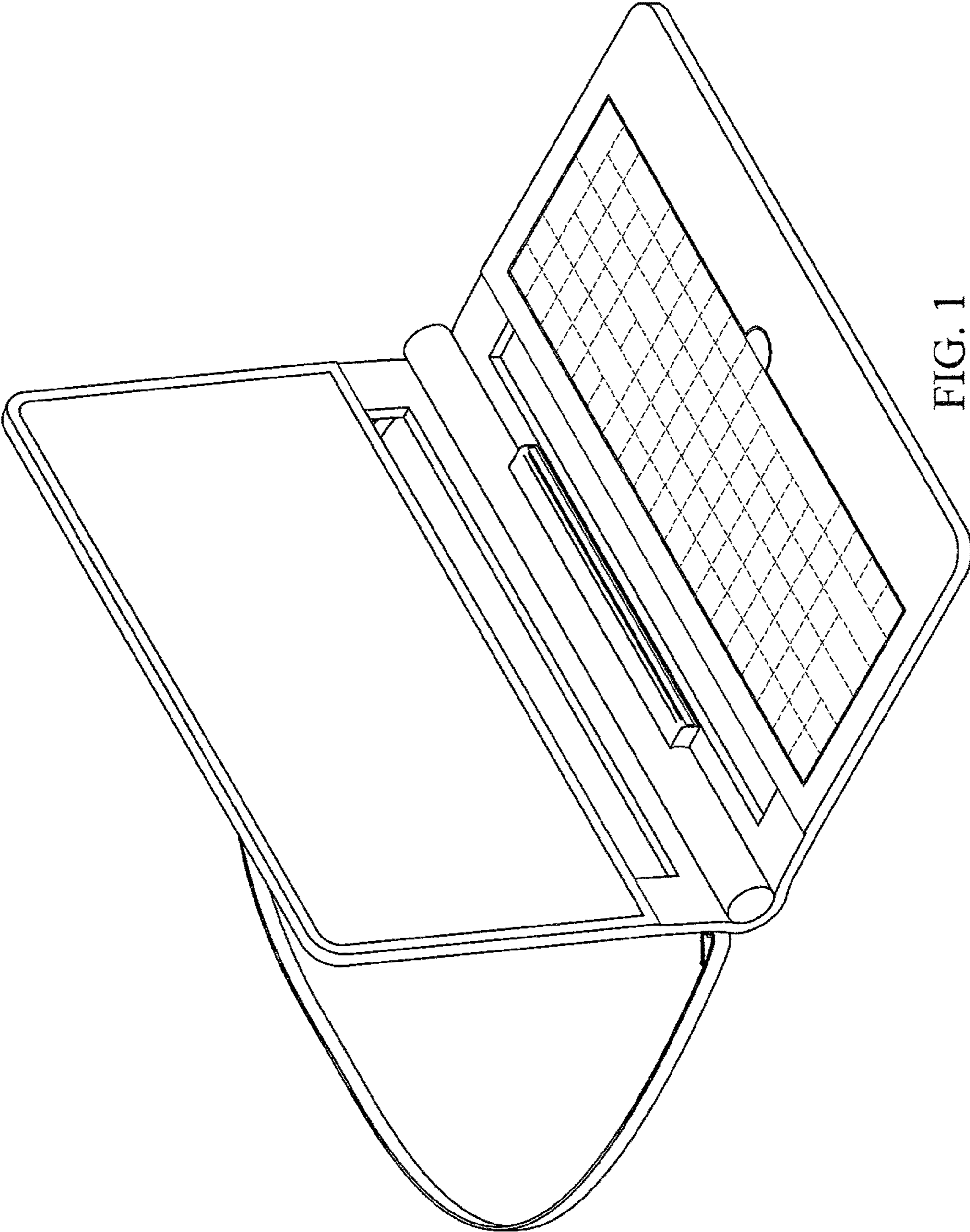


FIG. 1

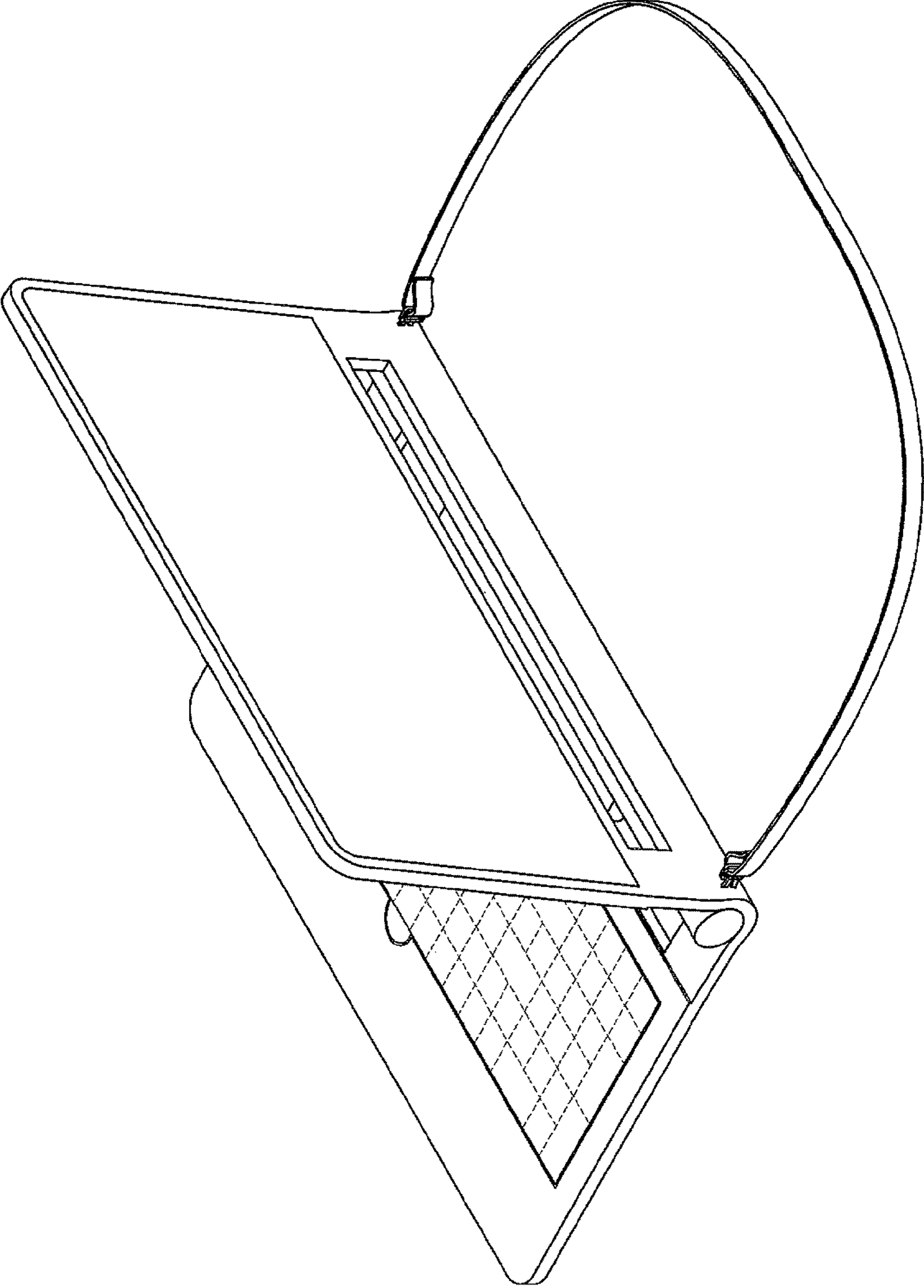


FIG. 2

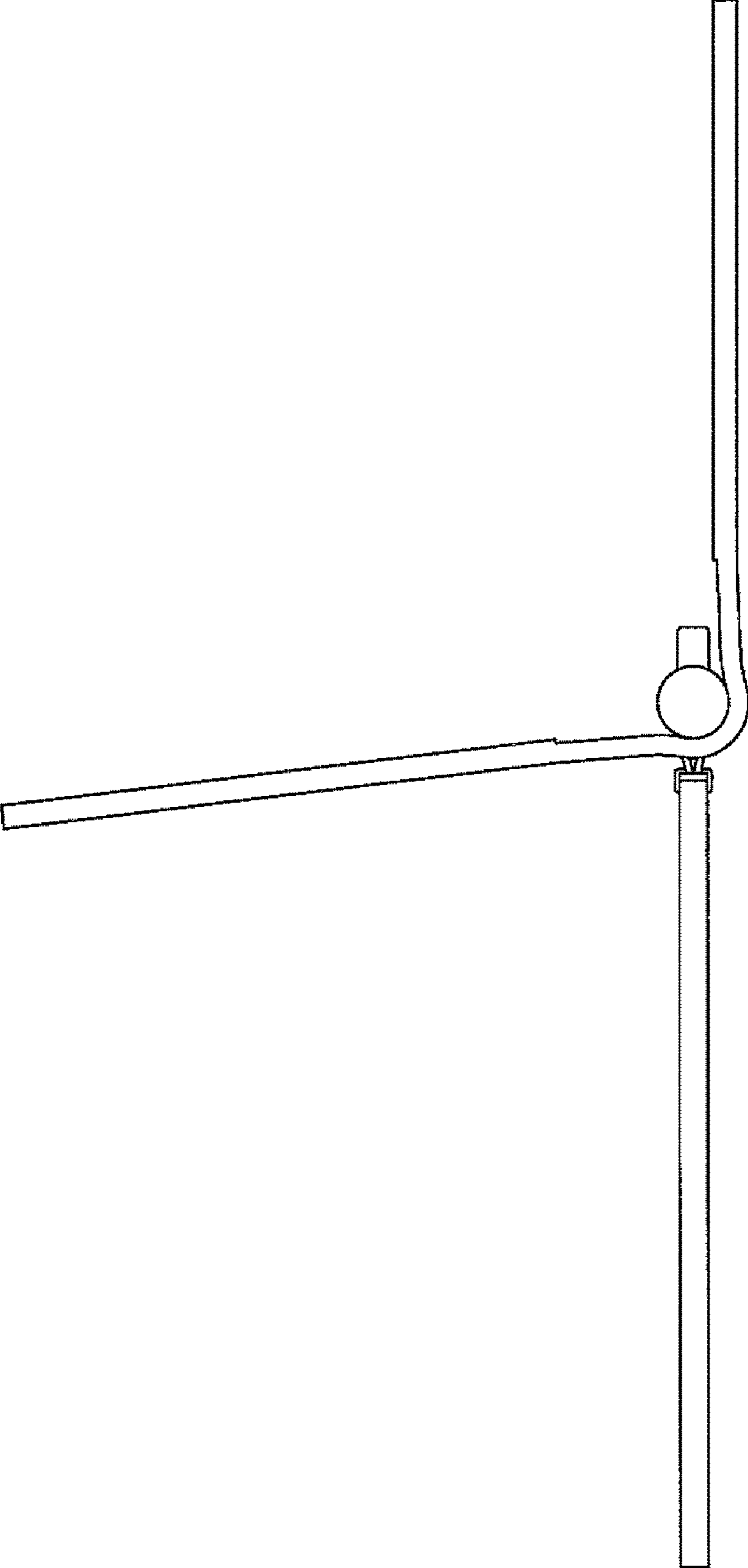


FIG. 3

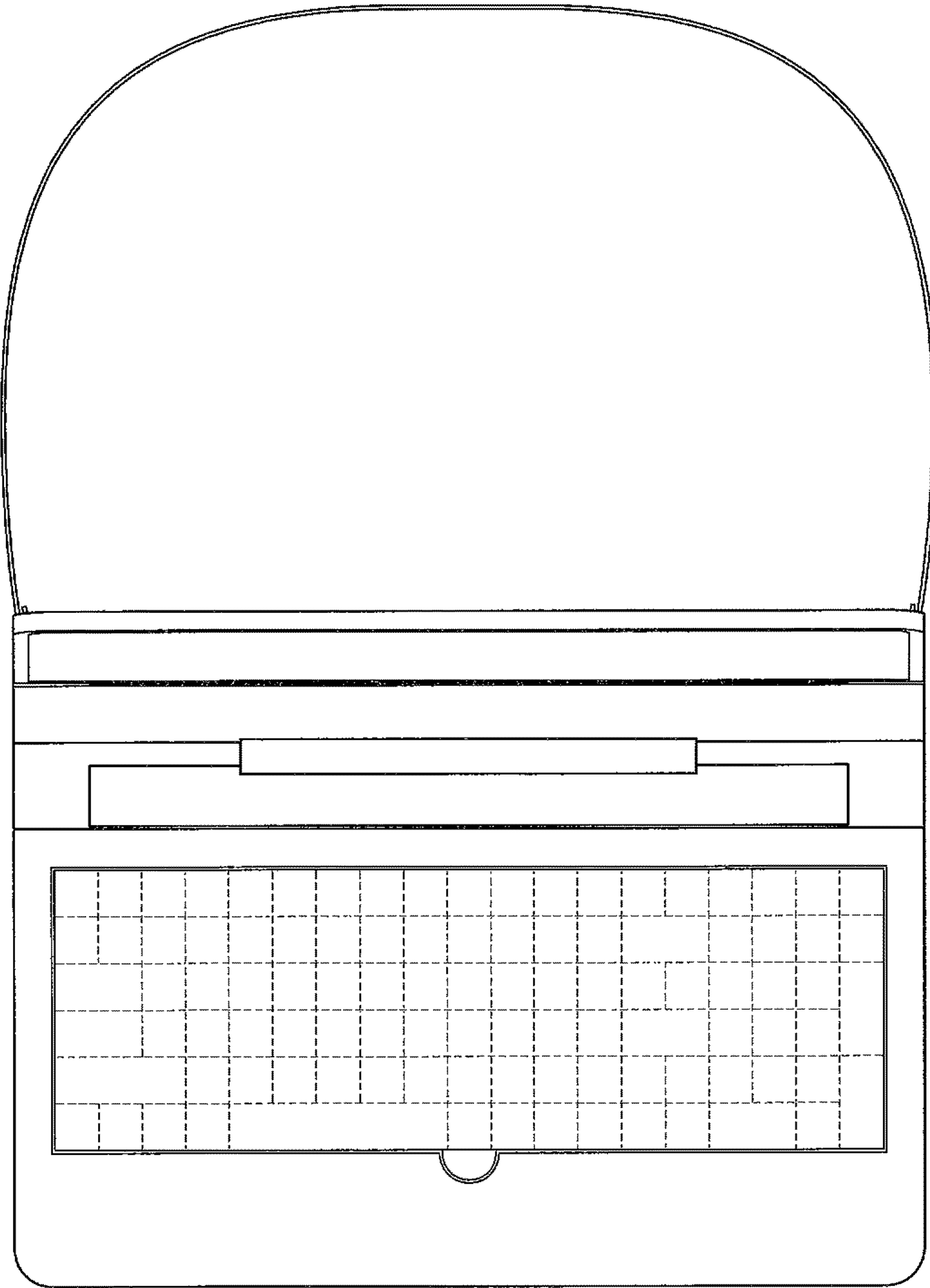


FIG. 4

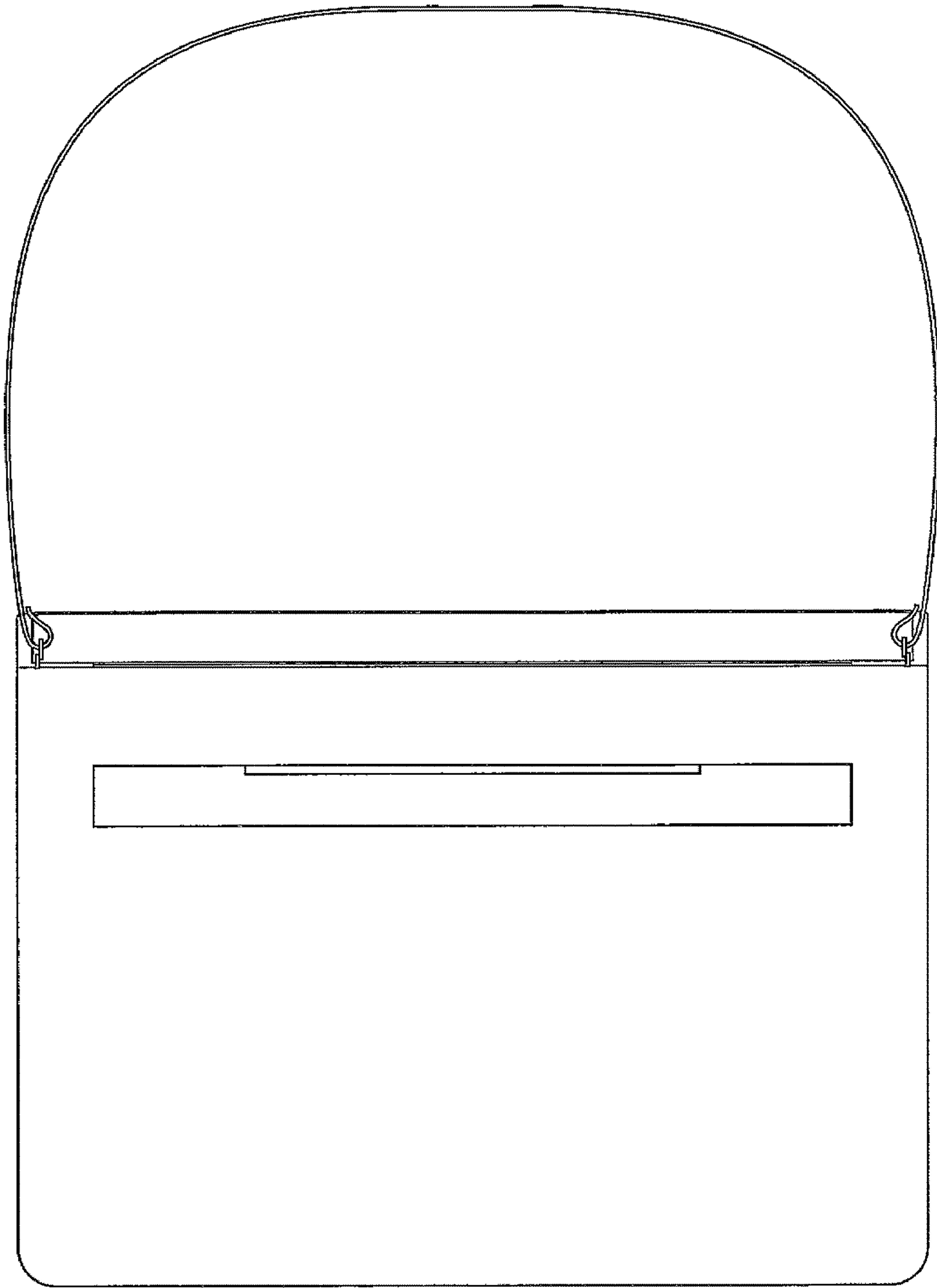


FIG. 5

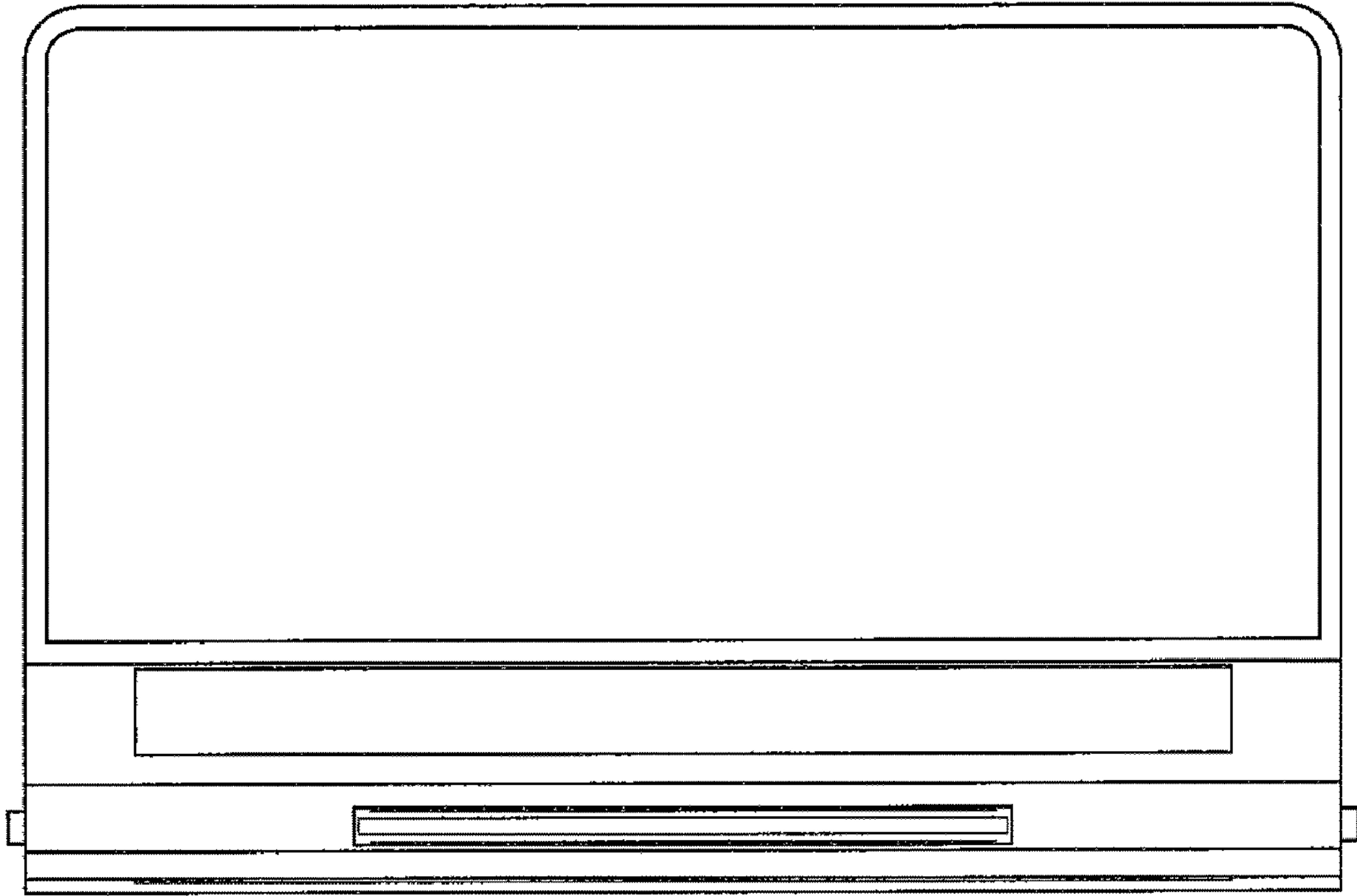


FIG. 6

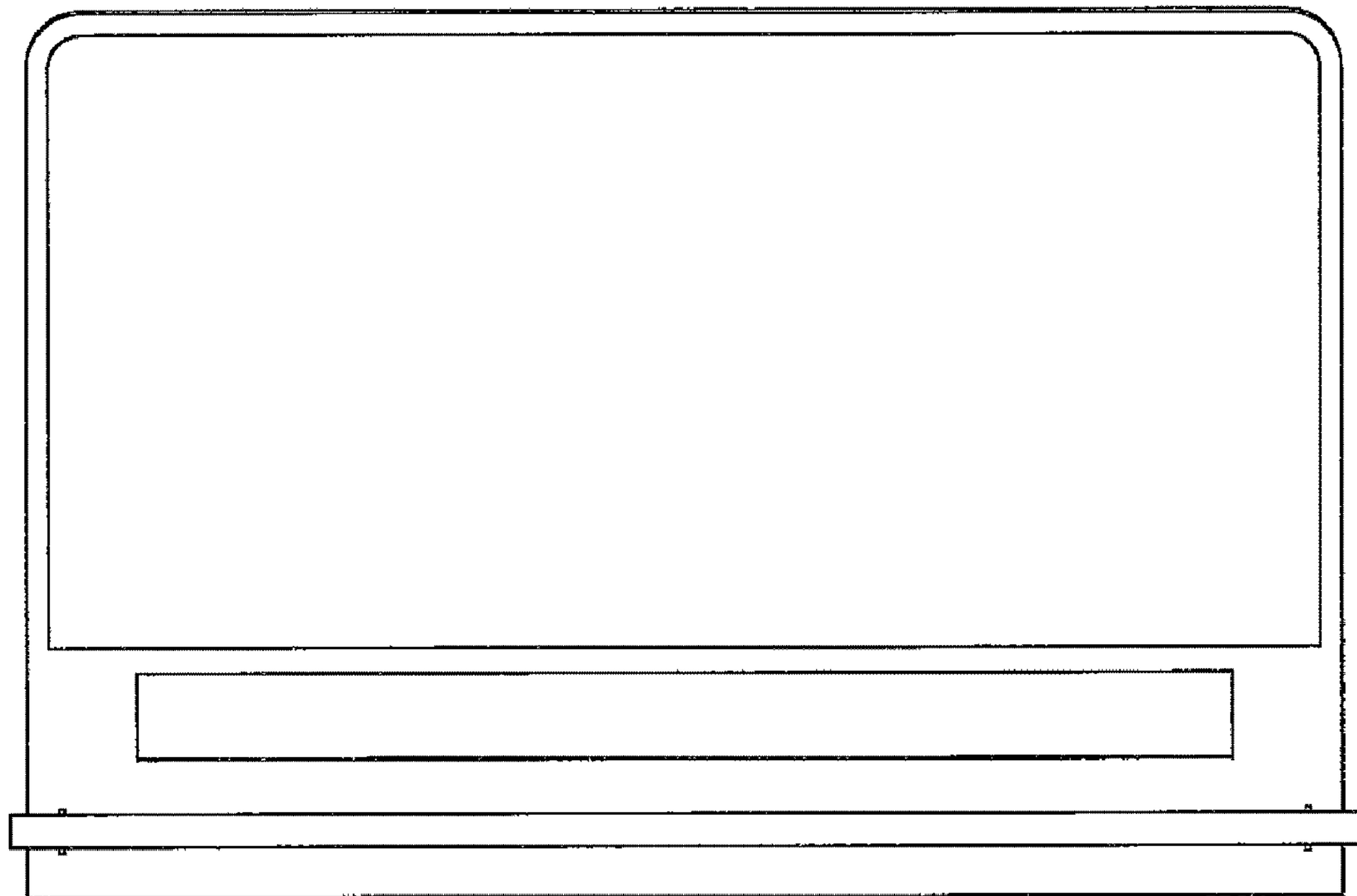


FIG. 7

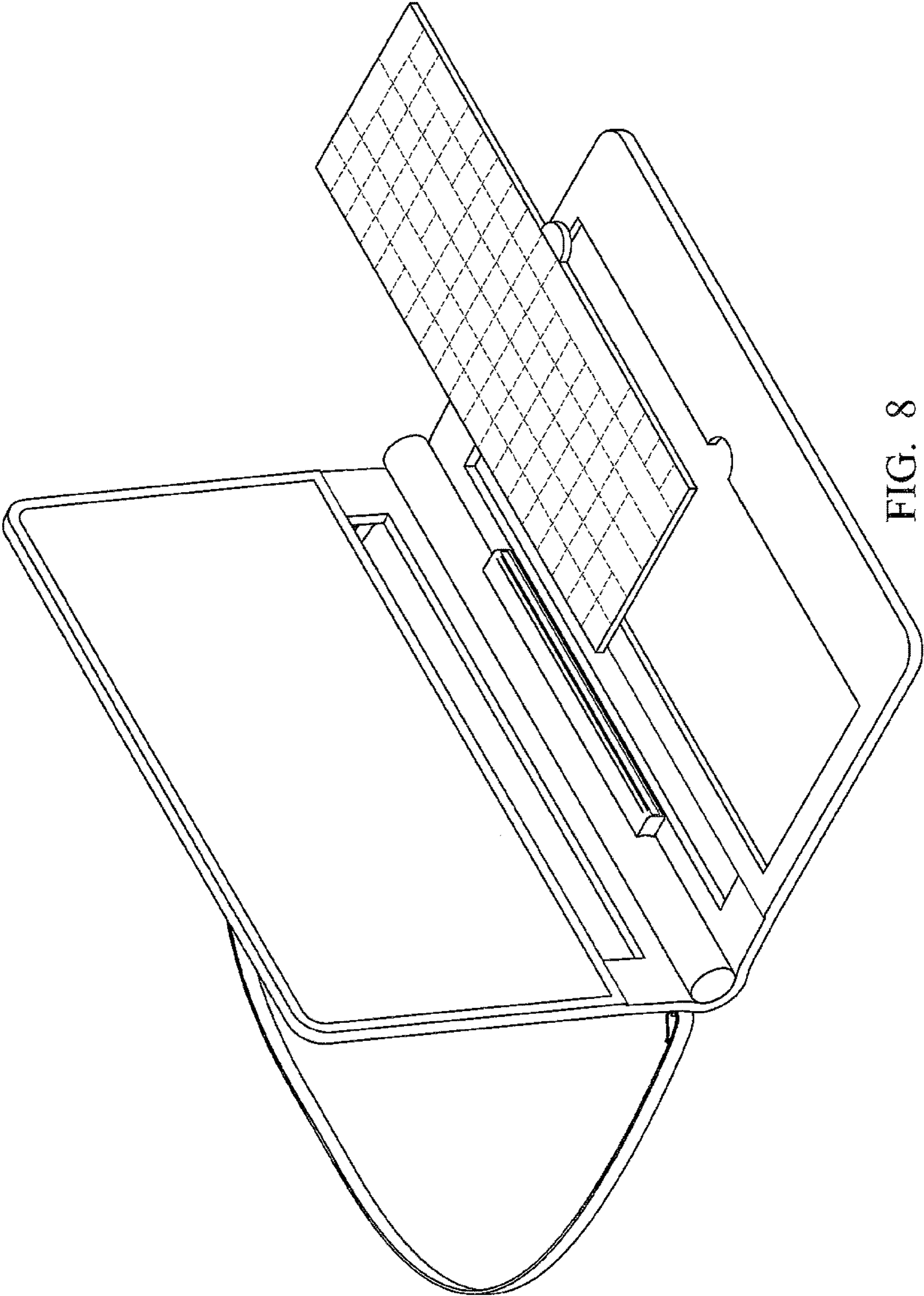


FIG. 8

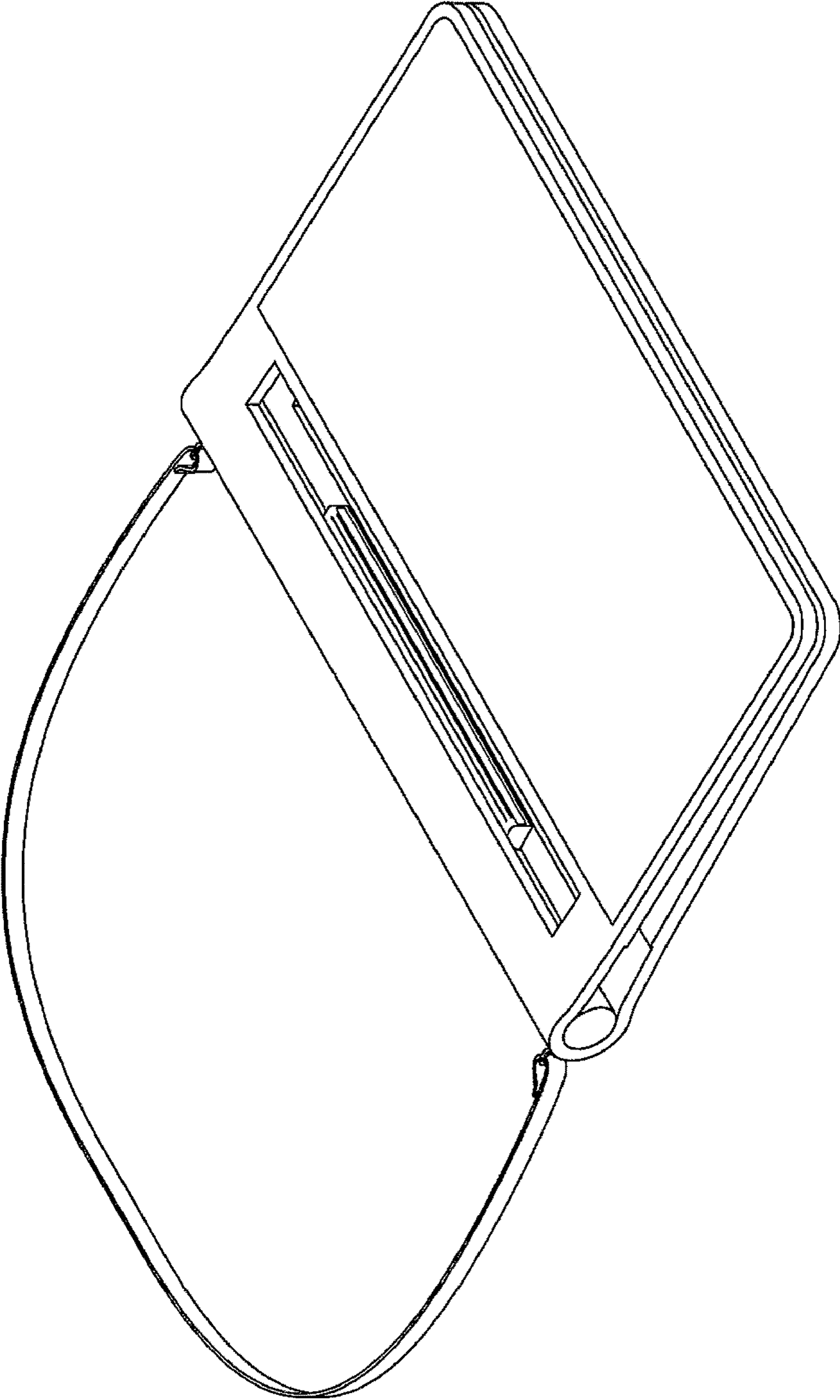


FIG. 9

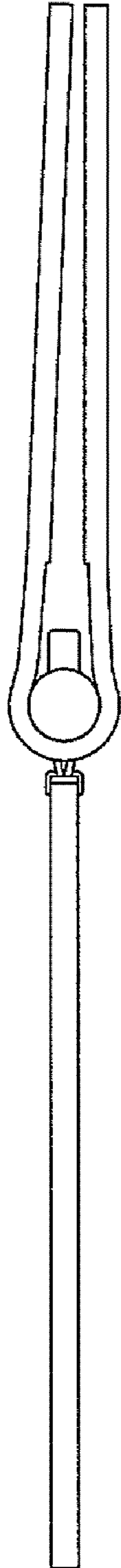


FIG. 10

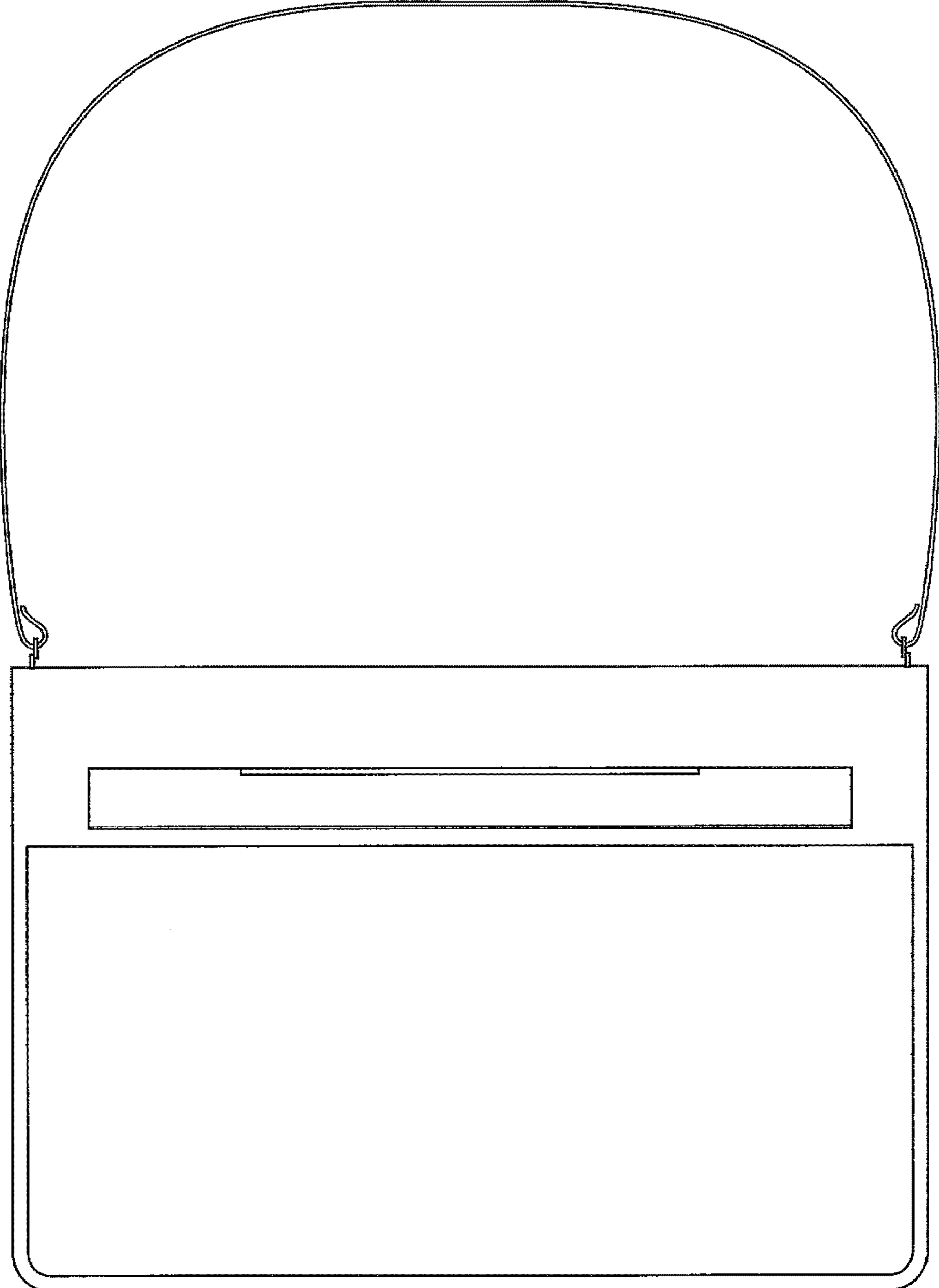


FIG. 11

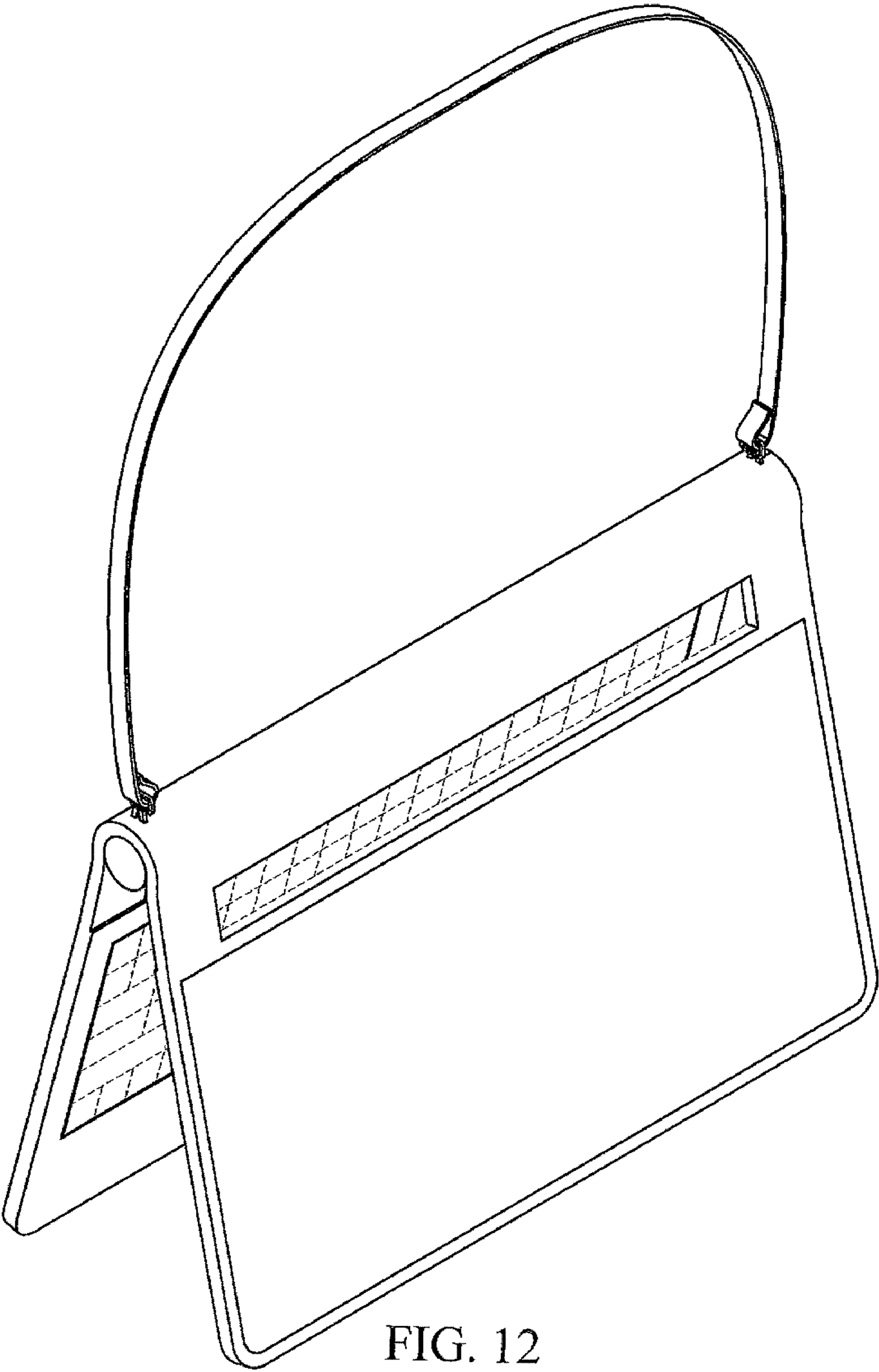


FIG. 12