



US00D640684S

(12) **United States Design Patent**
Fiore, IV et al.

(10) **Patent No.:** **US D640,684 S**
(45) **Date of Patent:** **** Jun. 28, 2011**

(54) **DDIN/ISO AUTO STEREO HEAD UNIT MOUNTING DEVICE**
(75) Inventors: **Anthony Fiore, IV**, Palm Coast, FL (US); **Edward Robertson**, Port Orange, FL (US)
(73) Assignee: **Metra Electronics Corporation**, Holly Hill, FL (US)

D496,028 S 9/2004 Quilling, II
D496,354 S 9/2004 Quilling, II
D501,852 S 2/2005 Quilling, II
D503,400 S 3/2005 Quilling, II
D503,401 S 3/2005 Quilling, II
D504,423 S 4/2005 Quilling, II
D505,672 S 5/2005 Quilling
D507,791 S 7/2005 Quilling, II
D508,486 S 8/2005 Quilling, II
D513,508 S 1/2006 Quilling, II
D517,061 S 3/2006 Quilling, II
D519,995 S 5/2006 Quilling, II
D531,879 S 11/2006 Quilling, II
7,177,730 B2 2/2007 Daly et al.

(**) Term: **14 Years**
(21) Appl. No.: **29/365,082**

(Continued)

(22) Filed: **Jul. 2, 2010**
(51) **LOC (9) Cl.** **14-03**
(52) **U.S. Cl.** **D14/258**
(58) **Field of Classification Search** D14/157, D14/217, 224, 257-258; 360/4; 369/75.11; 720/658, 691; 455/344, 575.1; 248/27.1, 248/27.3, 558

OTHER PUBLICATIONS

Metra The Installer's Choice, Autosound Installation Products (metraonline.com), pp. 1-143 (2008).

Primary Examiner — Nanda Bondade
(74) *Attorney, Agent, or Firm* — Fitzpatrick, Cella, Harper & Scinto

See application file for complete search history.

(57) **CLAIM**
We claim the ornamental design for a DDIN/ISO auto stereo head unit mounting device, as shown and described.

(56) **References Cited**

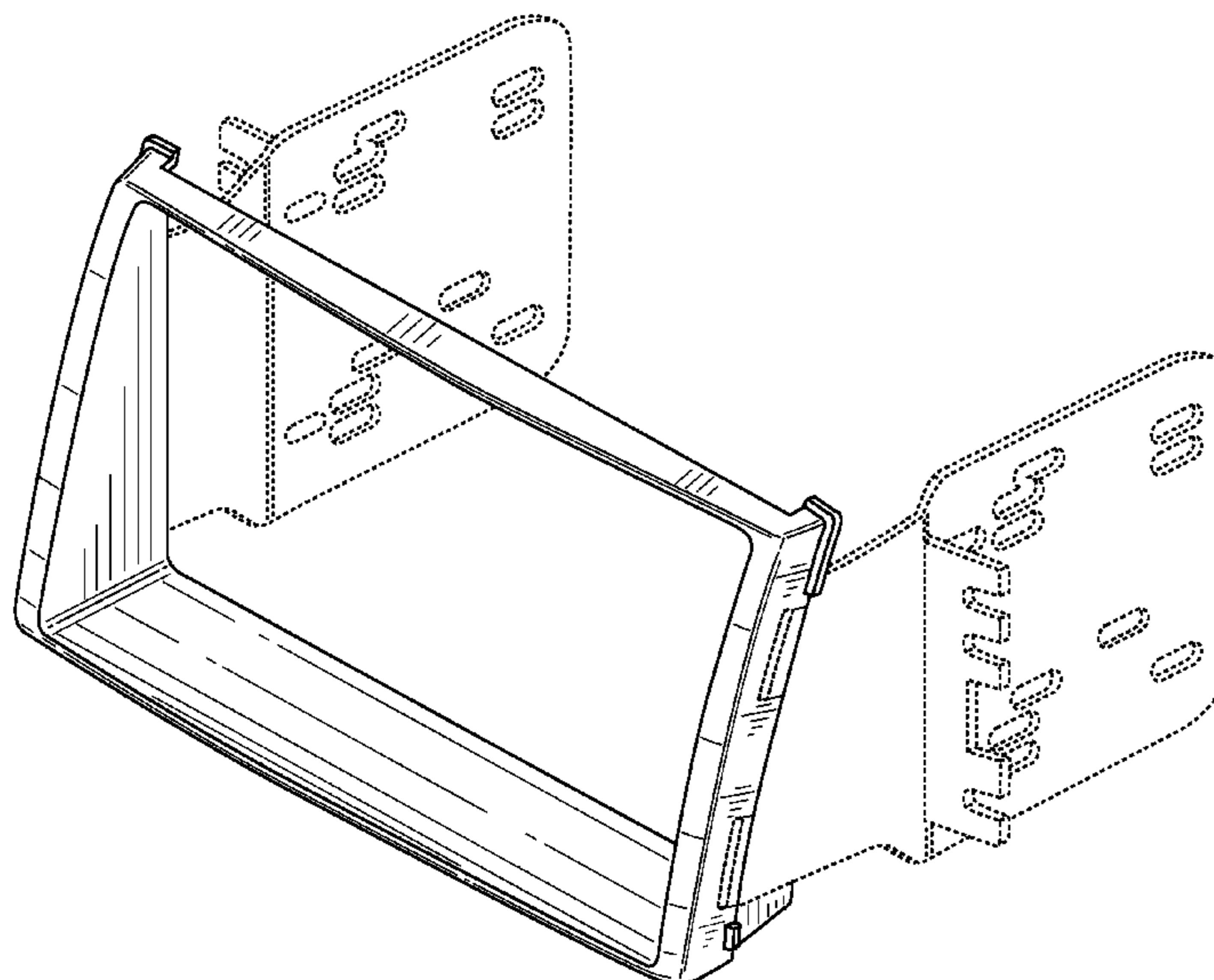
DESCRIPTION

U.S. PATENT DOCUMENTS

5,106,039 A	4/1992	Gross
5,467,947 A	11/1995	Quilling, II
D401,591 S	11/1998	Jones, Jr. et al.
D418,838 S	1/2000	Jones, Jr. et al.
D481,378 S	10/2003	Quilling, II et al.
D481,707 S	11/2003	Quilling, II et al.
D481,708 S	11/2003	Quilling, II et al.
D482,023 S	11/2003	Quilling, II et al.
D482,024 S	11/2003	Quilling, II et al.
6,651,936 B2	11/2003	Upton et al.
D483,027 S	12/2003	Quilling, II et al.
D484,495 S	12/2003	Quilling, II et al.
D485,260 S	1/2004	Quilling, II et al.
D488,462 S	4/2004	Quilling, II et al.
D492,287 S	6/2004	Quilling, II
D492,288 S	6/2004	Quilling, II
D492,668 S	7/2004	Quilling, II

FIG. 1 is a right front perspective view of a DIN/ISO auto stereo head unit mounting device showing our design; FIG. 2 is a front elevational view of FIG. 1; FIG. 3 is a rear elevational view of FIG. 1; FIG. 4 is a top plan view of FIG. 1; FIG. 5 is a bottom plan view of FIG. 1; FIG. 6 is a left side elevation view of FIG. 1; and, FIG. 7 is a right side elevation view of FIG. 1. The broken line showing on the drawing disclosure is for illustrative purposes only and forms no part of the claimed design.

1 Claim, 7 Drawing Sheets



US D640,684 S

Page 2

U.S. PATENT DOCUMENTS

D540,785 S	4/2007	Quilling, II		D582,912 S	12/2008	Quilling, II
7,201,356 B2 *	4/2007	Huang	248/27.3	D583,809 S	12/2008	Fiore
D545,661 S	7/2007	Quilling, II		D584,725 S	1/2009	Fiore, IV
D545,815 S	7/2007	Quilling, II		D602,013 S	10/2009	Quilling, II
D555,645 S	11/2007	Quilling, II		D602,483 S	10/2009	Fiore, IV
D555,646 S	11/2007	Quilling, II		D602,929 S	10/2009	Quilling, II
D555,647 S	11/2007	Quilling, II		D602,930 S	10/2009	Quilling, II
D566,701 S	4/2008	Quilling, II		D603,390 S	11/2009	Quilling, II
7,430,110 B2	9/2008	Quilling, II		D604,286 S	11/2009	Fiore, IV
D581,408 S	11/2008	Fiore, IV		D610,580 S	2/2010	Fiore, IV
D582,908 S	12/2008	Quilling		D611,939 S	3/2010	Quilling, II

* cited by examiner

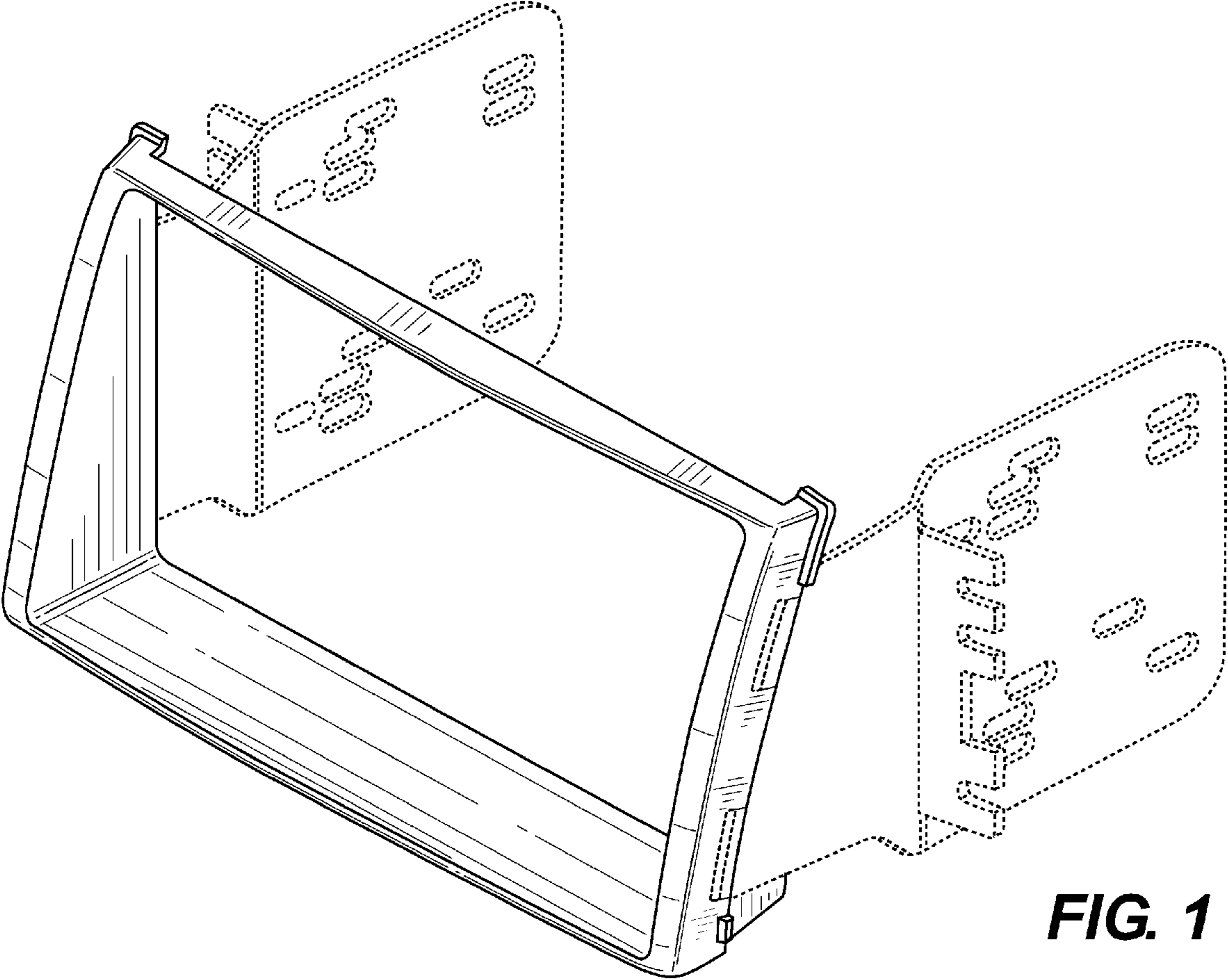


FIG. 1

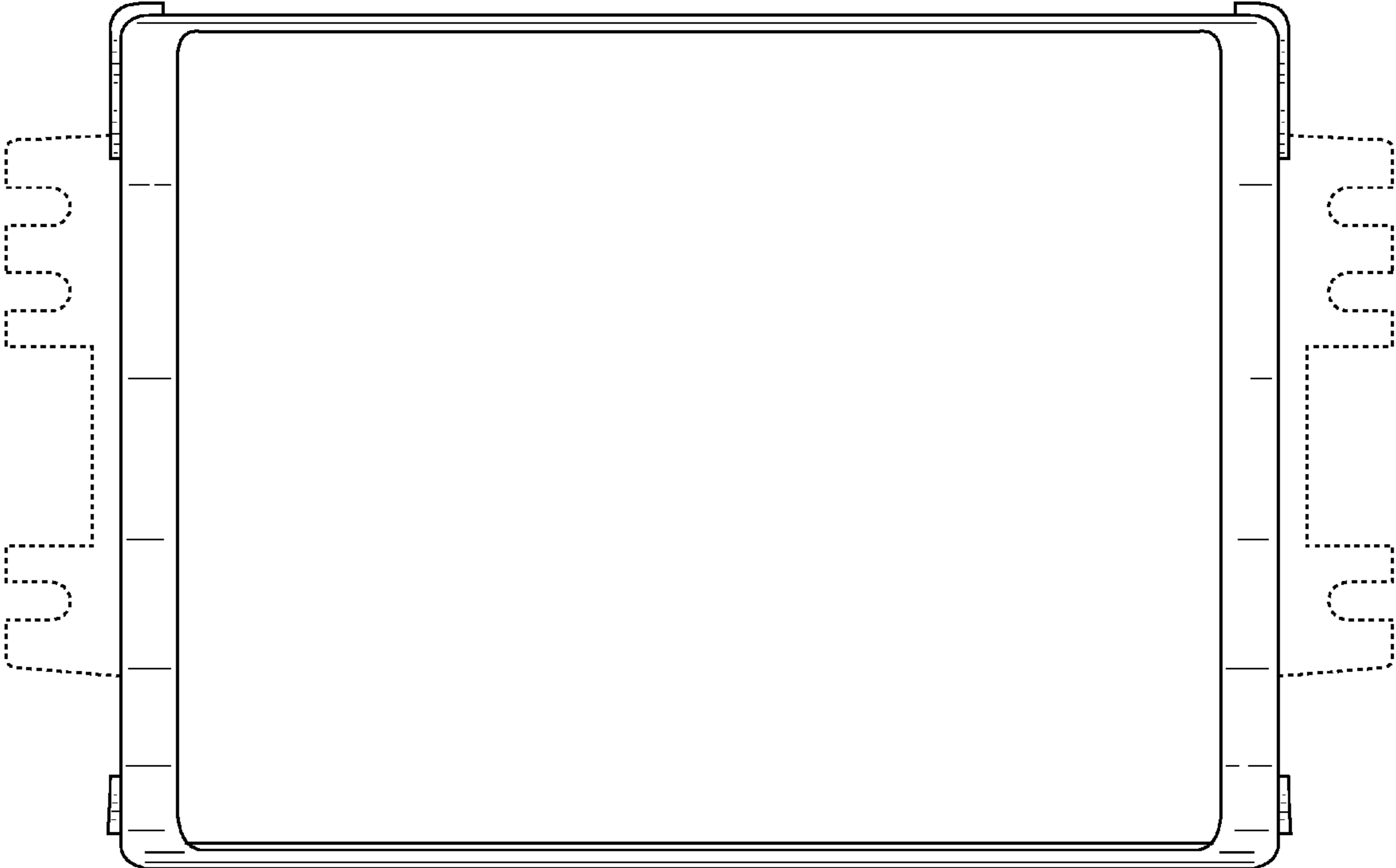


FIG. 2

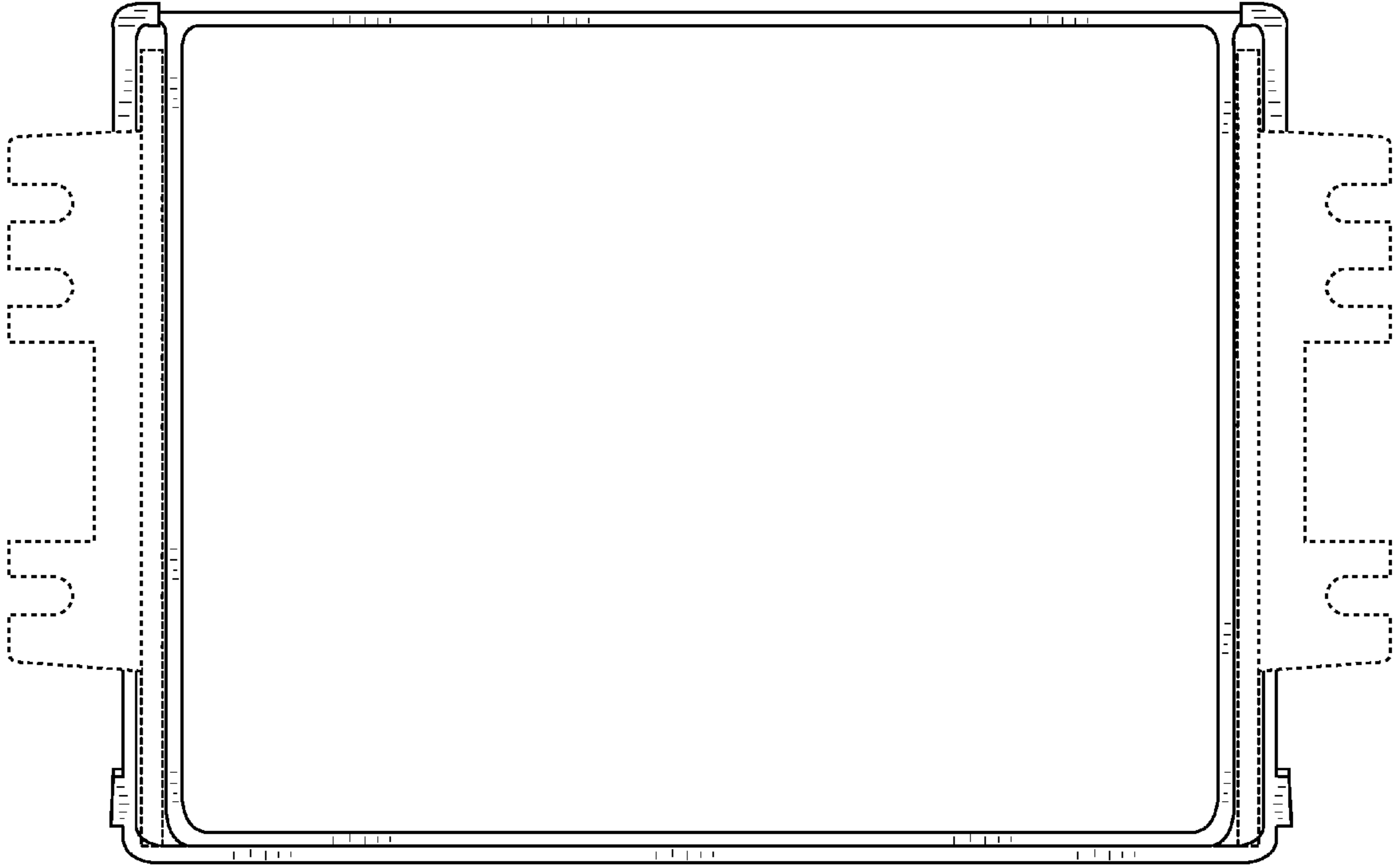


FIG. 3

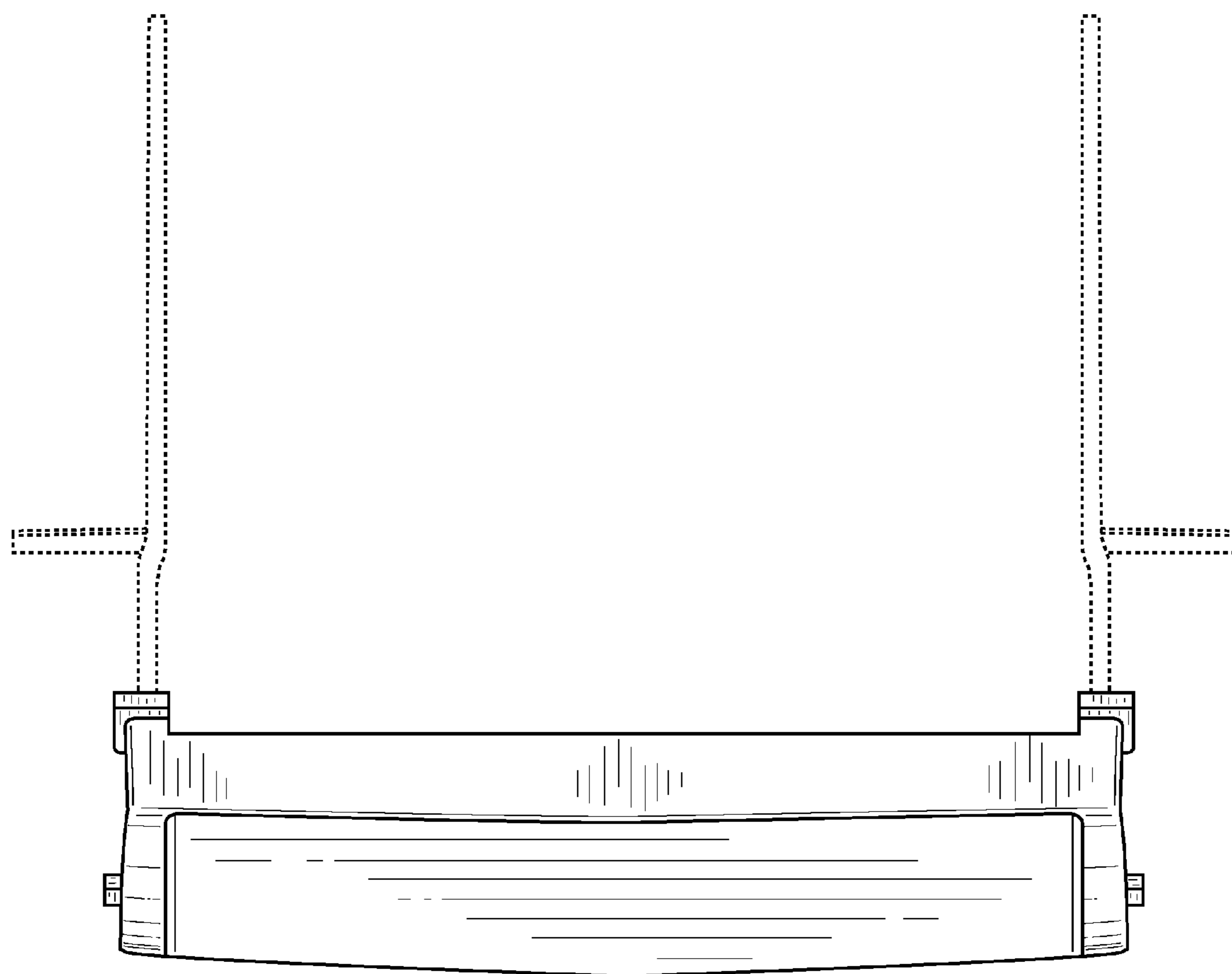


FIG. 4

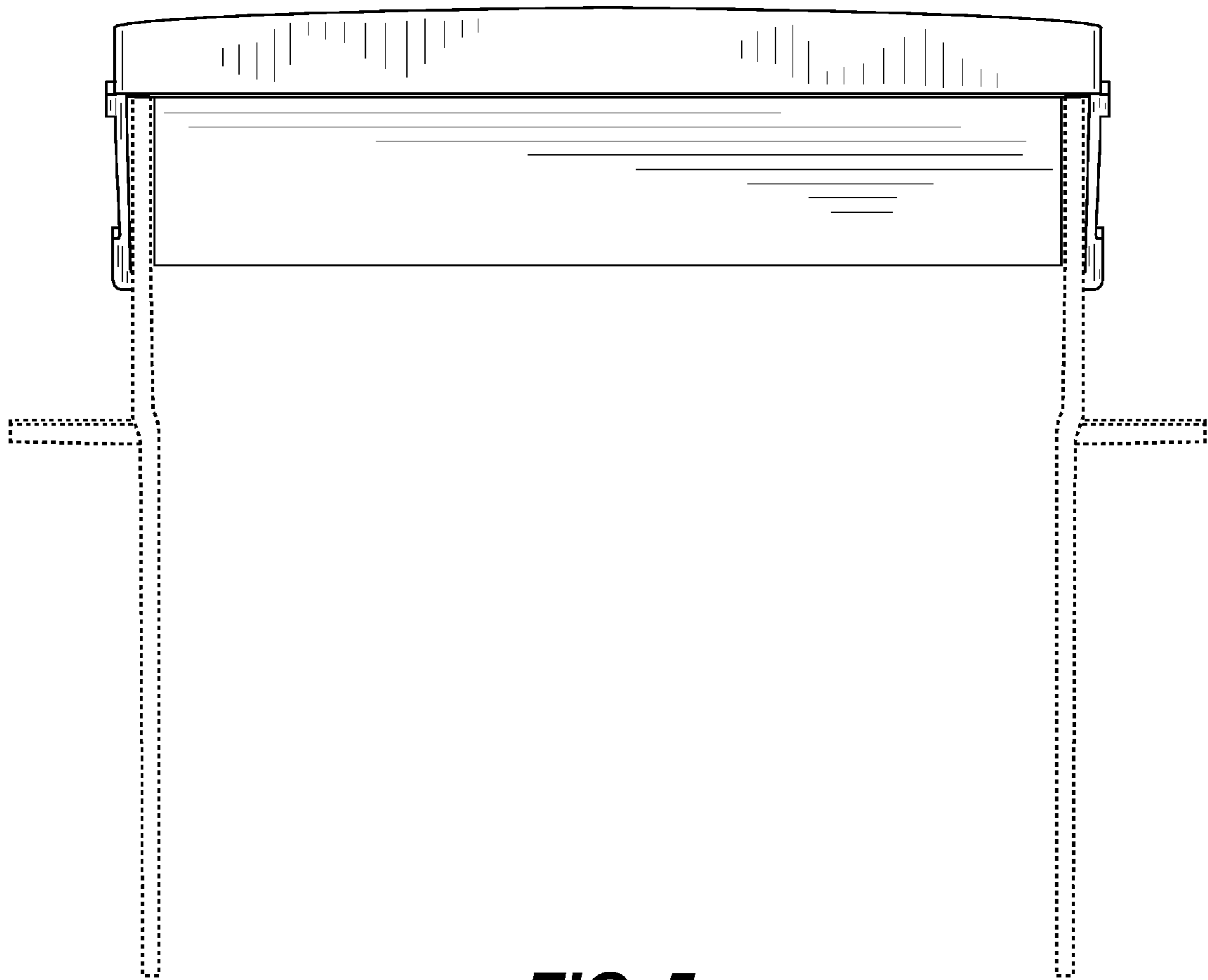


FIG. 5

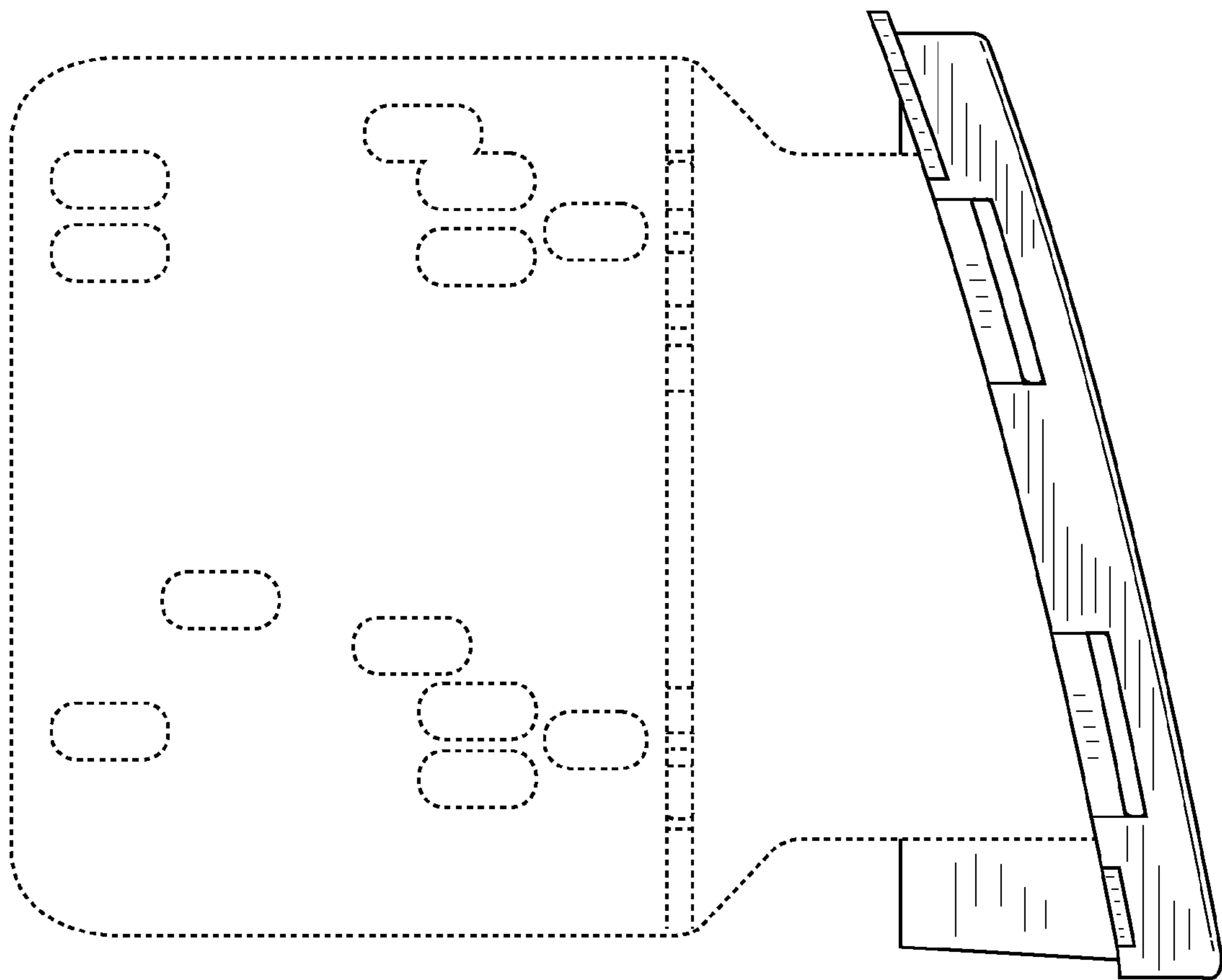


FIG. 6

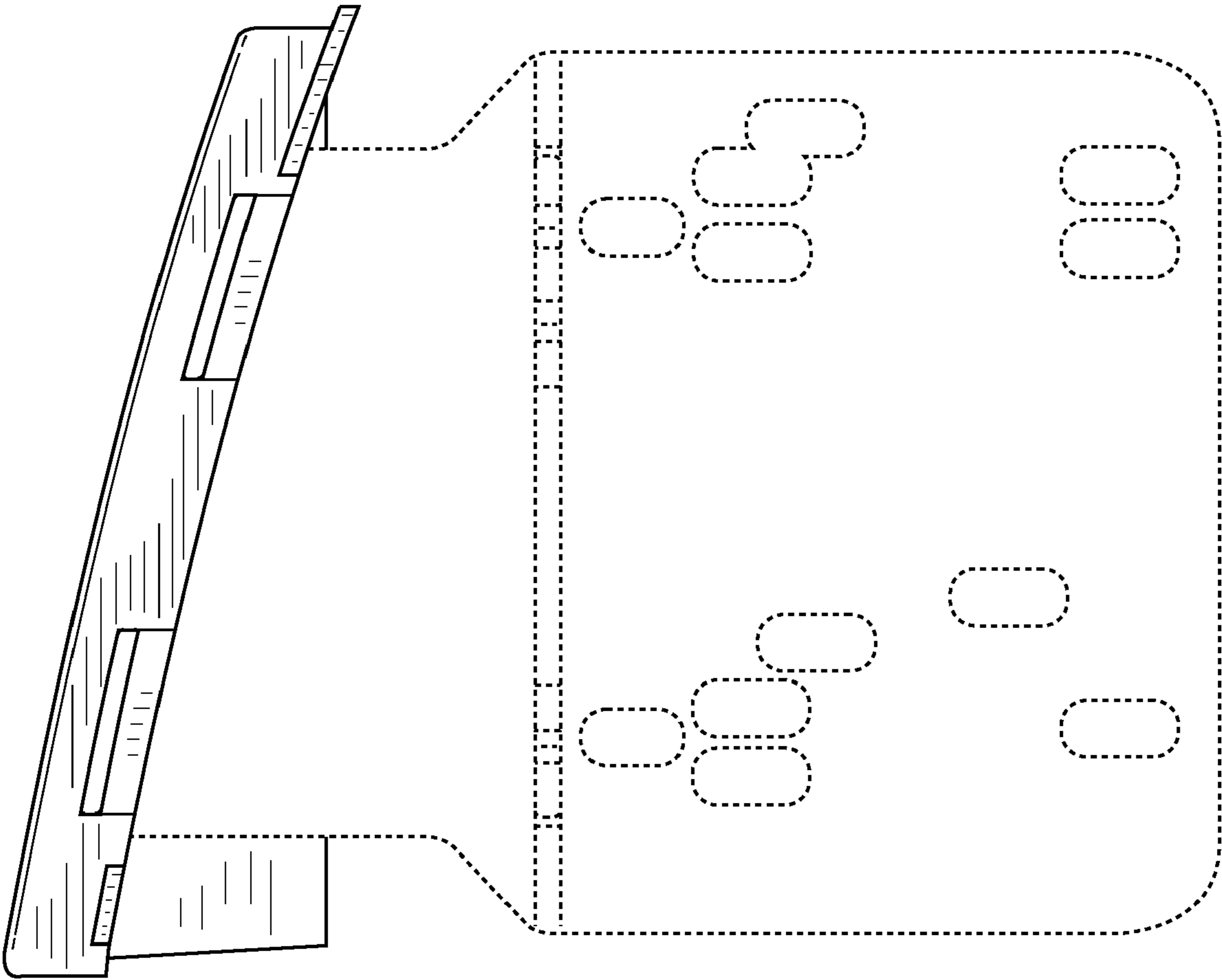


FIG. 7