



US00D640683S

(12) **United States Design Patent**  
**Kawano**

(10) **Patent No.:** **US D640,683 S**  
(45) **Date of Patent:** **\*\* Jun. 28, 2011**

(54) **HARD DISK RECORDER**

(75) Inventor: **Tadaatsu Kawano**, Shiga (JP)  
(73) Assignee: **Panasonic Corporation**, Osaka (JP)  
(\*\*) Term: **14 Years**  
(21) Appl. No.: **29/368,139**  
(22) Filed: **Aug. 18, 2010**

(30) **Foreign Application Priority Data**

Feb. 26, 2010 (JP) ..... 2010-004507

(51) **LOC (9) Cl.** ..... **14-01**  
(52) **U.S. Cl.** ..... **D14/257**  
(58) **Field of Classification Search** ..... D14/496,  
D14/498-505, 137, 157, 168, 188, 197-198,  
D14/240, 257-258; 360/99.02, 99.07; 369/75.11,  
369/75.21, 77.11, 77.21; 720/601, 612, 619,  
720/647, 649, 655; 455/344, 347-351  
See application file for complete search history.

(56) **References Cited**

**U.S. PATENT DOCUMENTS**

D464,044 S \* 10/2002 Wang et al. .... D14/240  
D530,690 S \* 10/2006 Takahashi ..... D14/502  
D561,140 S \* 2/2008 Hatori ..... D14/505  
D596,198 S \* 7/2009 Matsuoka ..... D14/505

**FOREIGN PATENT DOCUMENTS**

JP D1307047 8/2007  
JP D1340077 9/2008

\* cited by examiner

*Primary Examiner* — Nanda Bondade

(74) *Attorney, Agent, or Firm* — Brinks Hofer Gilson & Lione

(57) **CLAIM**

I claim the ornamental design for a hard disk recorder, as shown and described.

**DESCRIPTION**

FIG. 1 is a front perspective view of a hard disk recorder of the present invention;  
FIG. 2 is a front view thereof;  
FIG. 3 is a rear view thereof;  
FIG. 4 is a first side view thereof;  
FIG. 5 is a second side view thereof;  
FIG. 6 is a top view thereof; and,  
FIG. 7 is a bottom view thereof.

The broken line showing of hard disk recorder is included for the purpose of illustrating environment and forms no part of the claimed design. Additionally, the unevenly broken lines in the drawings define the limits of the claimed design.

**1 Claim, 7 Drawing Sheets**

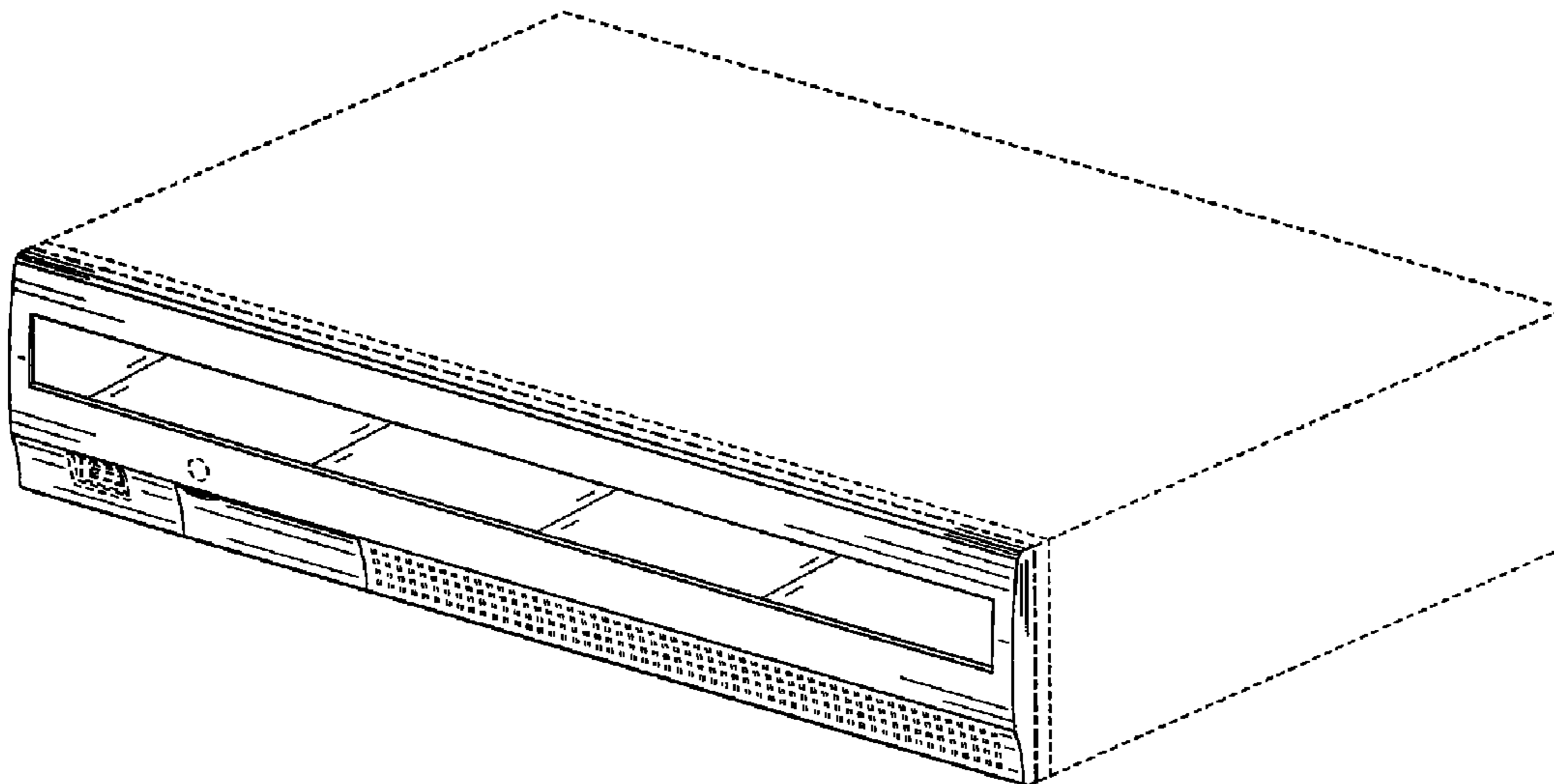


FIG. 1

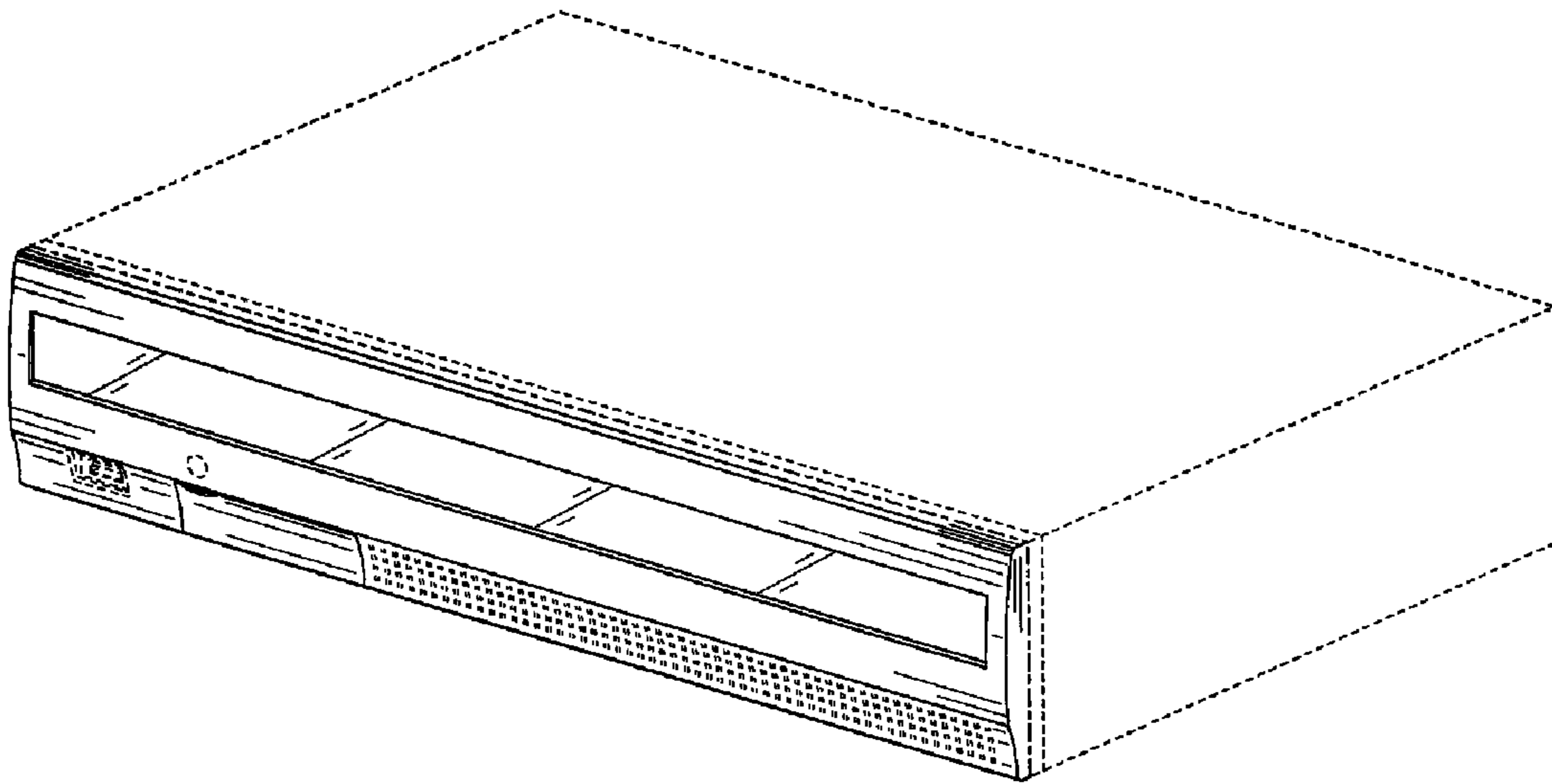


FIG.2

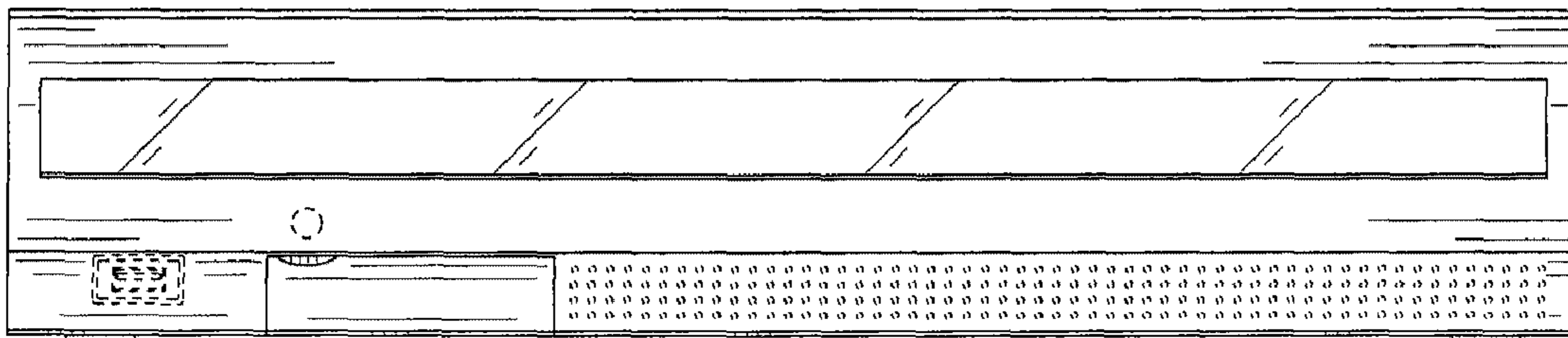


FIG.3

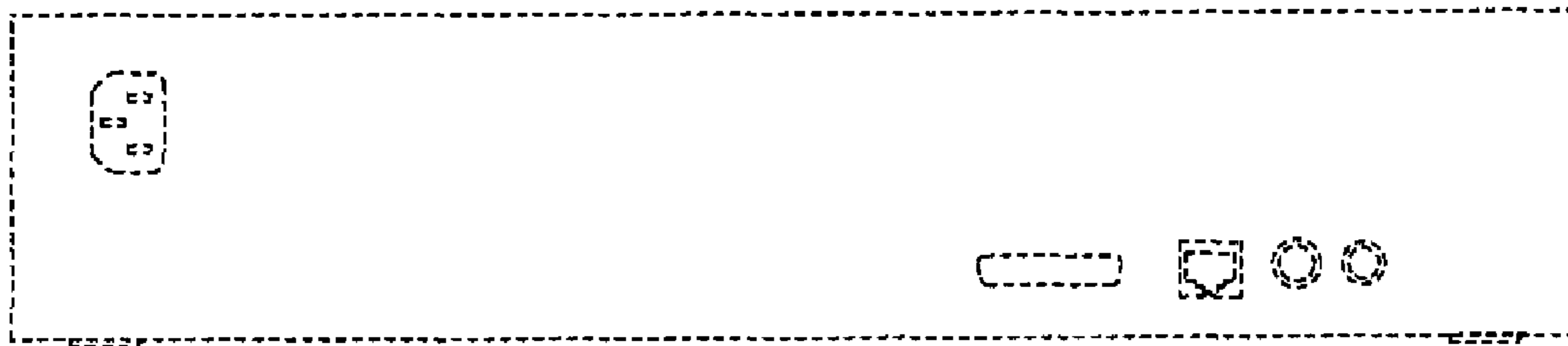


FIG.4

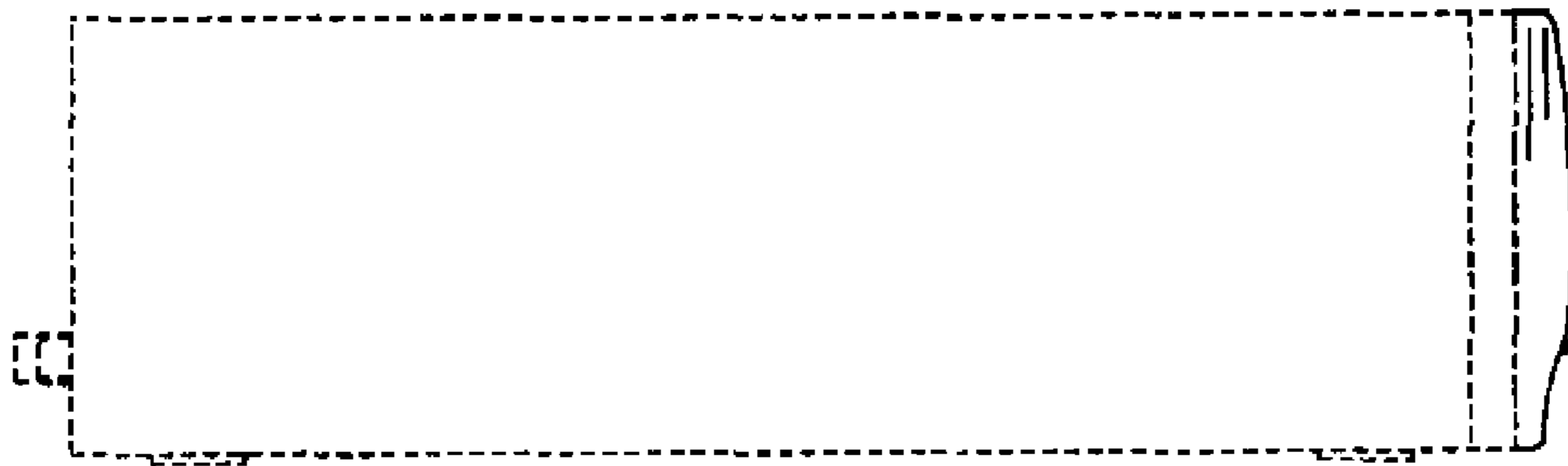


FIG.5



FIG.6

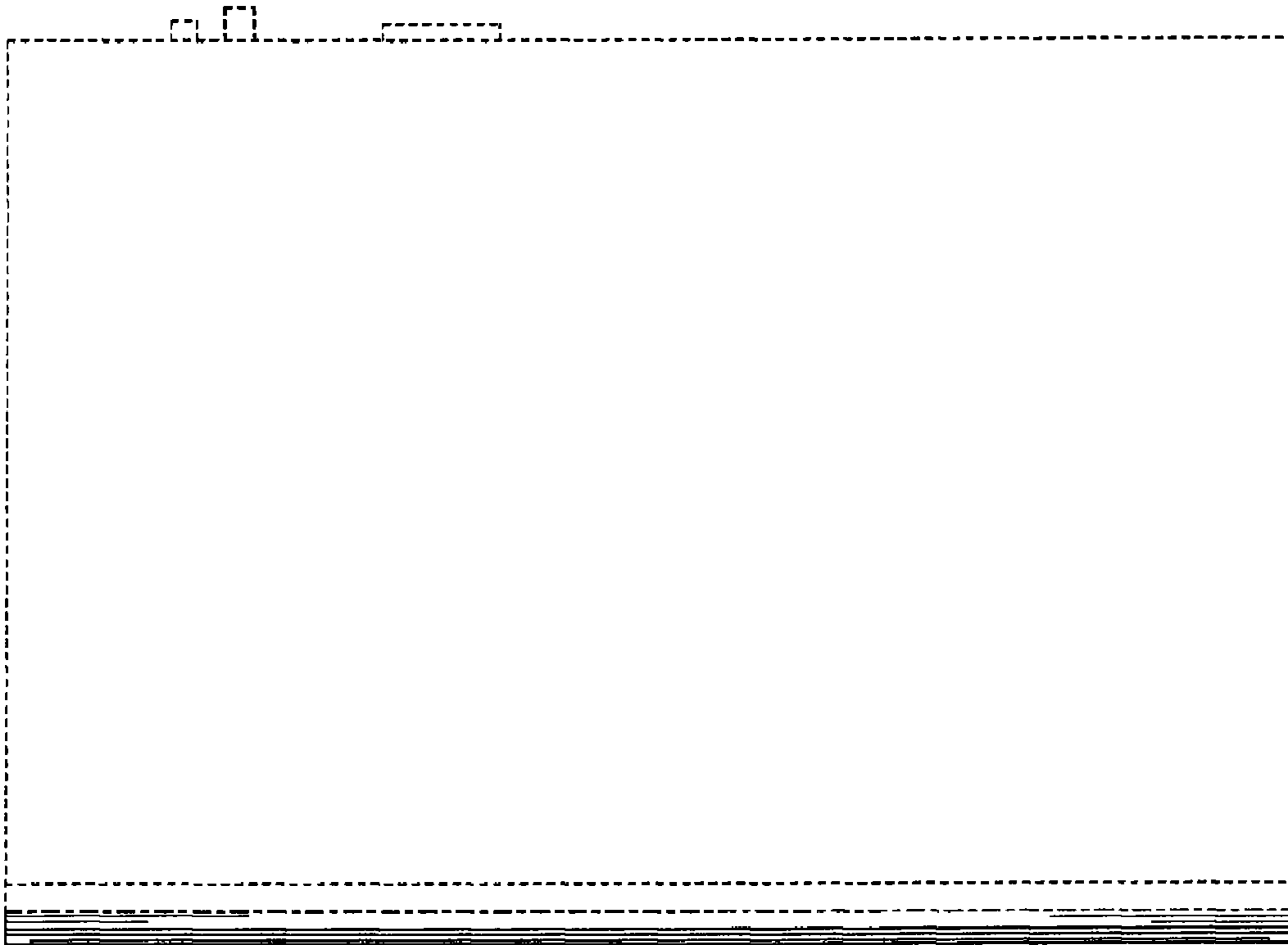


FIG.7

