



US00D640682S

(12) **United States Design Patent**  
**Ledbetter et al.**

(10) **Patent No.:** **US D640,682 S**  
(45) **Date of Patent:** **\*\* Jun. 28, 2011**

(54) **FACE PLATE FOR AN ELECTRONIC HOUSING**

(75) Inventors: **Carl J. Ledbetter**, Mercer Island, WA (US); **Dustin R. Brown**, Chicago, IL (US); **John Ikeda**, Seattle, WA (US); **Scott Harold Wilson**, Chicago, IL (US); **Claire M. Gerhardt**, Seattle, WA (US)

(73) Assignee: **Microsoft Corporation**, Redmond, WA (US)

(\*\*) Term: **14 Years**

(21) Appl. No.: **29/362,862**

(22) Filed: **Jun. 1, 2010**

(51) **LOC (9) Cl.** ..... **14-03**

(52) **U.S. Cl.** ..... **D14/257; D14/401; D13/184; D21/333; D21/332**

(58) **Field of Classification Search** ..... D14/157, D14/217, 224, 257-258, 401; 360/4; 369/75.11; 720/658, 691; 455/344, 575.1; 248/27.1, 248/27.3, 558; D13/101, 112-114, 123, D13/164, 177, 184, 199; D21/332-333; 361/679.37; 307/66, 150; 363/144

See application file for complete search history.

(56) **References Cited**

**U.S. PATENT DOCUMENTS**

D287,243 S	12/1986	Tope	
D373,589 S	* 9/1996	Peterson et al.	..... D13/177
D380,447 S	7/1997	Chen et al.	
5,649,839 A	7/1997	Yu	
D390,202 S	2/1998	Goto	
D416,264 S	11/1999	Althans et al.	
D433,681 S	11/2000	Jean et al.	
D458,218 S	6/2002	Reynolds	
D490,372 S	5/2004	Lee et al.	
D496,049 S	9/2004	Heinz et al.	
D497,906 S	11/2004	Kellom et al.	

D499,109 S	11/2004	Chen et al.	
D509,199 S	* 9/2005	Haase et al.	..... D14/257
D512,419 S	12/2005	Juszkiewicz et al.	
D514,076 S	1/2006	Albano et al.	
D514,118 S	1/2006	Christianson	
D526,321 S	8/2006	Hayes et al.	
D540,752 S	4/2007	Hayes et al.	
D541,233 S	4/2007	Hayes et al.	
D543,954 S	6/2007	Hayes et al.	
D543,955 S	6/2007	Hayes et al.	
D543,956 S	6/2007	Hayes et al.	
D569,917 S	5/2008	Del Castillo et al.	
2006/0146492 A1	7/2006	Reents et al.	

**OTHER PUBLICATIONS**

Images of the Xbox 360 game console, 1 sheet, Microsoft Corporation, 2005.

\* cited by examiner

*Primary Examiner* — Nanda Bondade

(74) *Attorney, Agent, or Firm* — Banner & Witcoff, Ltd.

(57) **CLAIM**

The ornamental design for a face plate for an electronic housing, as shown and described.

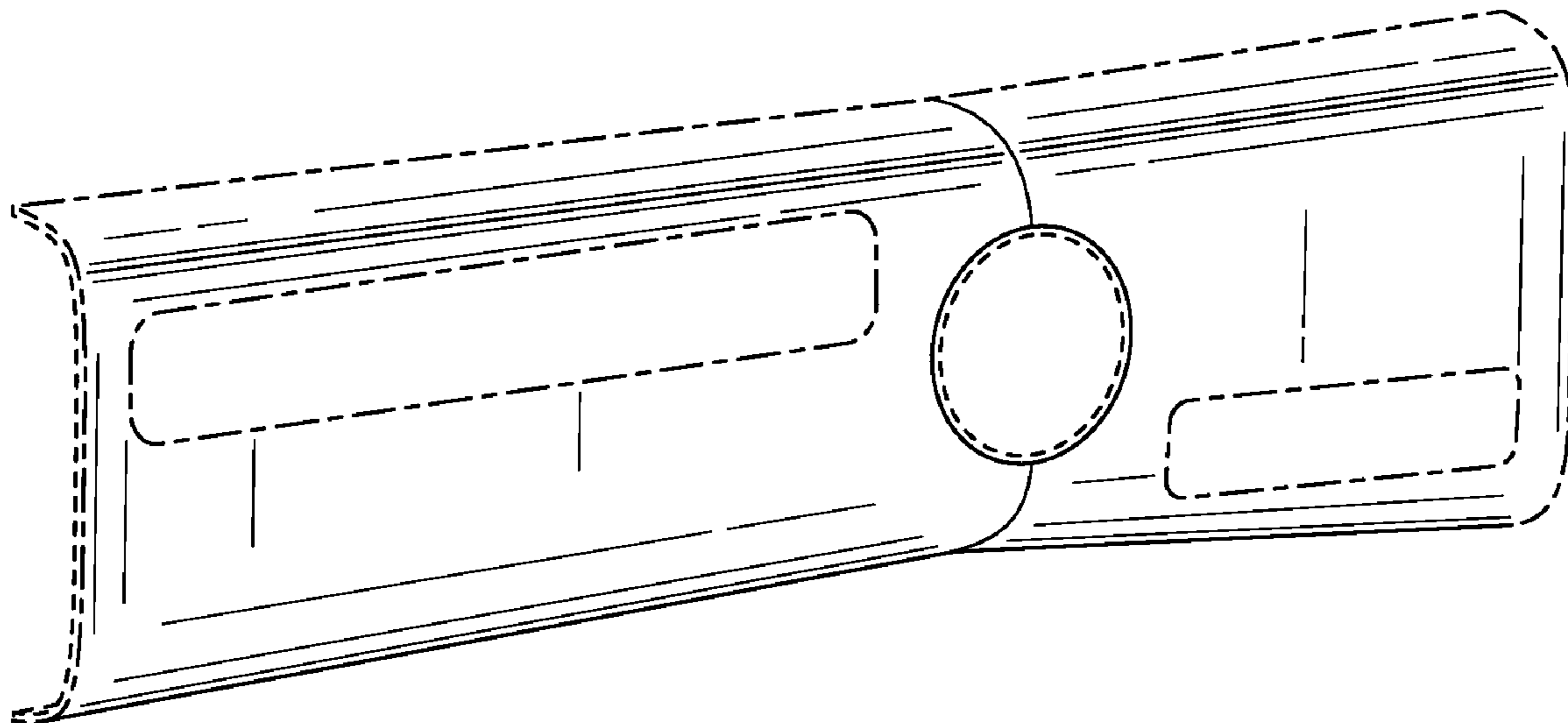
**DESCRIPTION**

FIG. 1 is a front perspective view of a face plate for an electronic housing showing our new design; FIG. 2 is a front view thereof; FIG. 3 is a top view thereof; FIG. 4 is a bottom view thereof; FIG. 5 is a right side view thereof; FIG. 6 is a left side view thereof; and, FIG. 7 is a rear view thereof.

The broken line showings of elements in FIGS. 1-7 are for environmental purposes only and form no part of the claimed design.

The dash-dot broken lines which define the bounds of the claimed design form no part thereof.

**1 Claim, 4 Drawing Sheets**



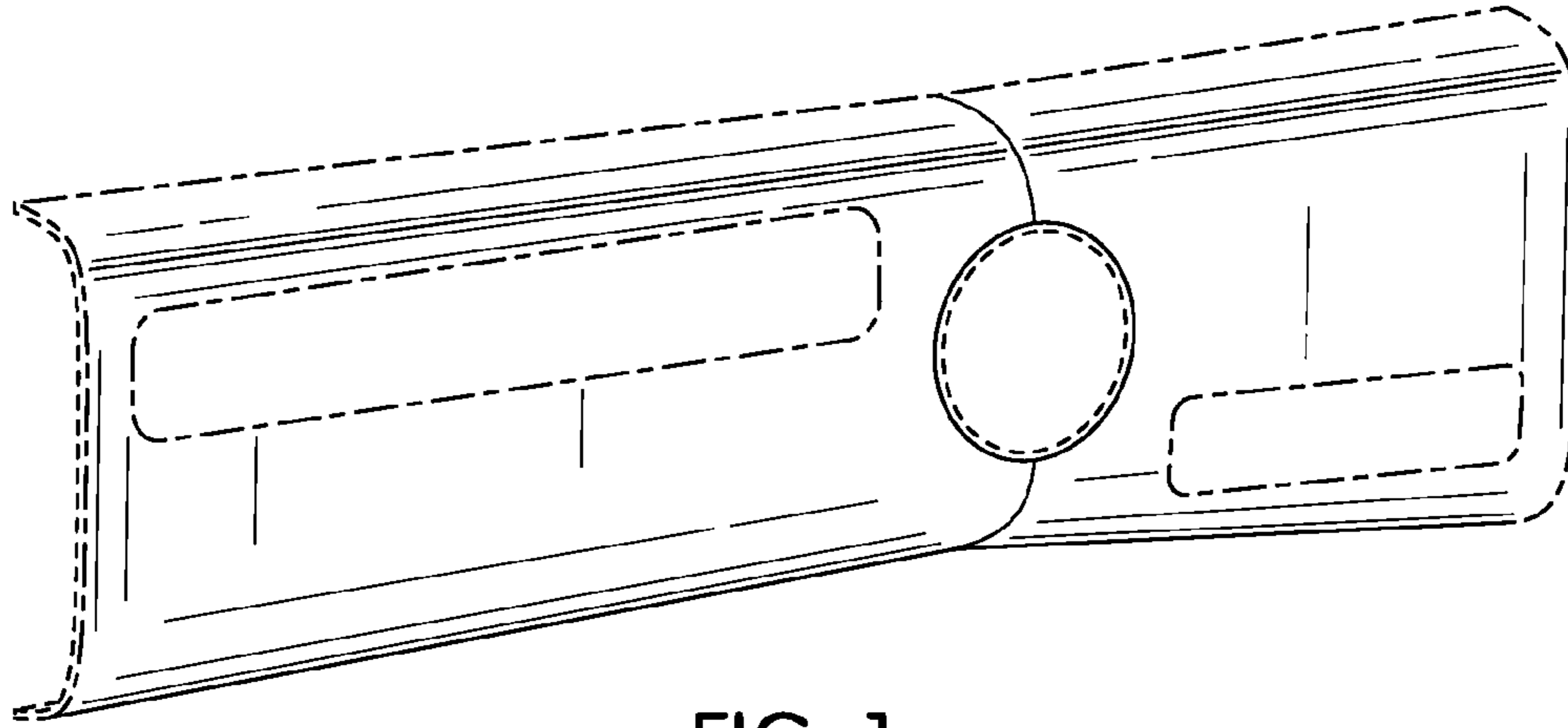


FIG. 1

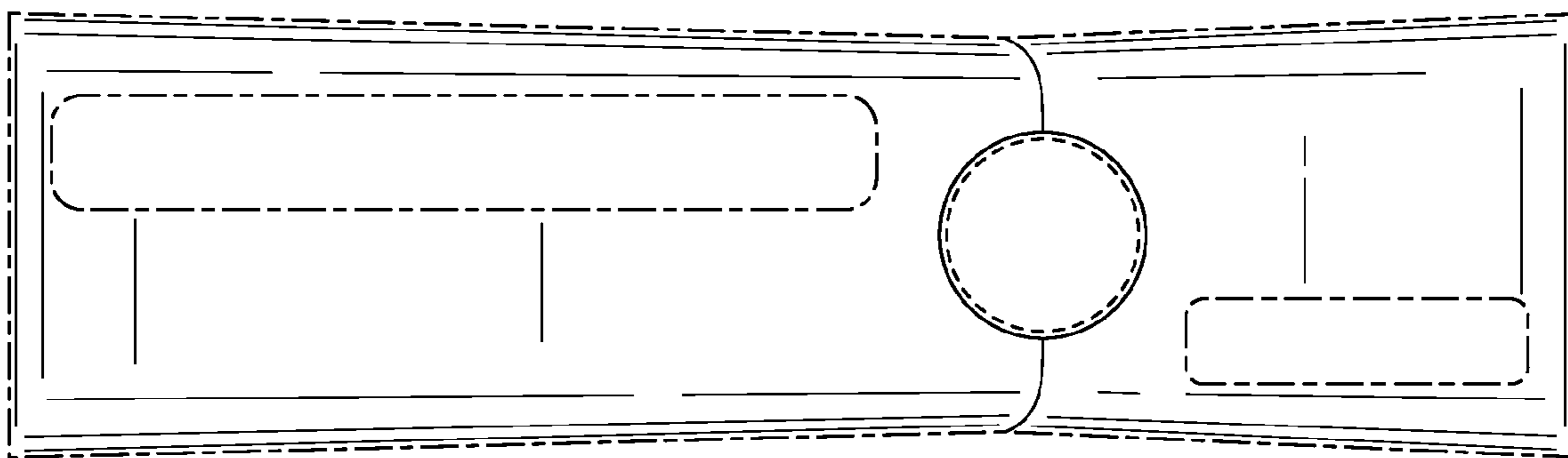


FIG. 2

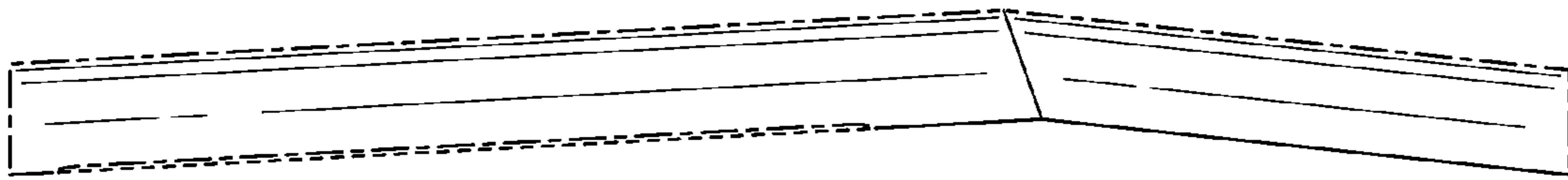


FIG. 3

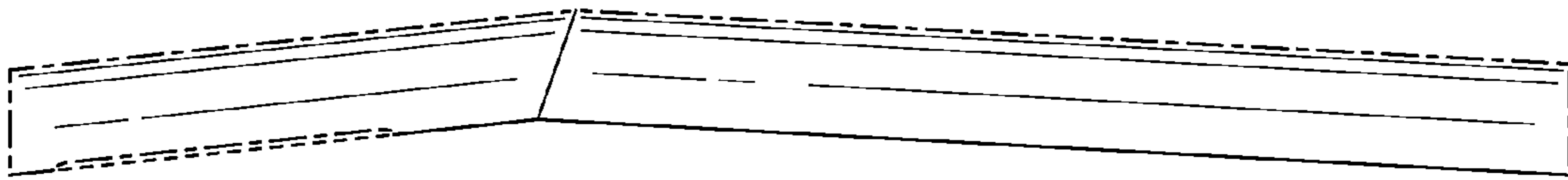


FIG. 4

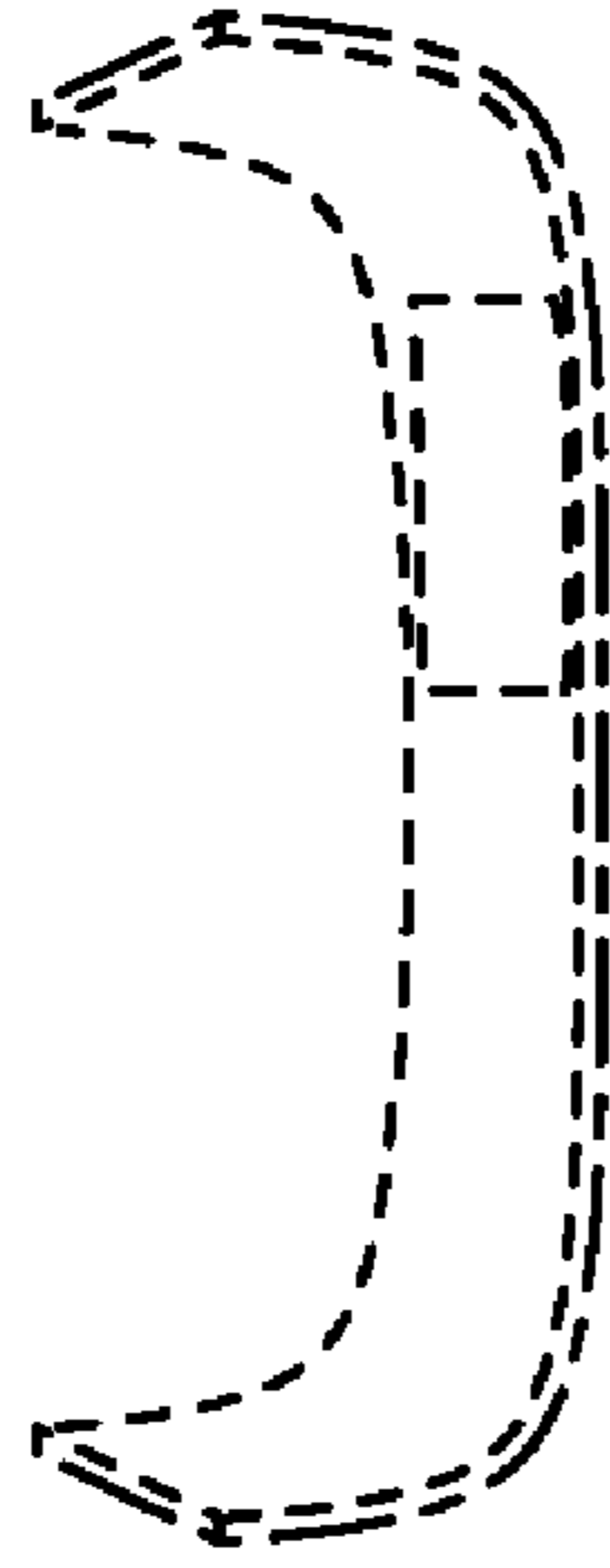


FIG. 5

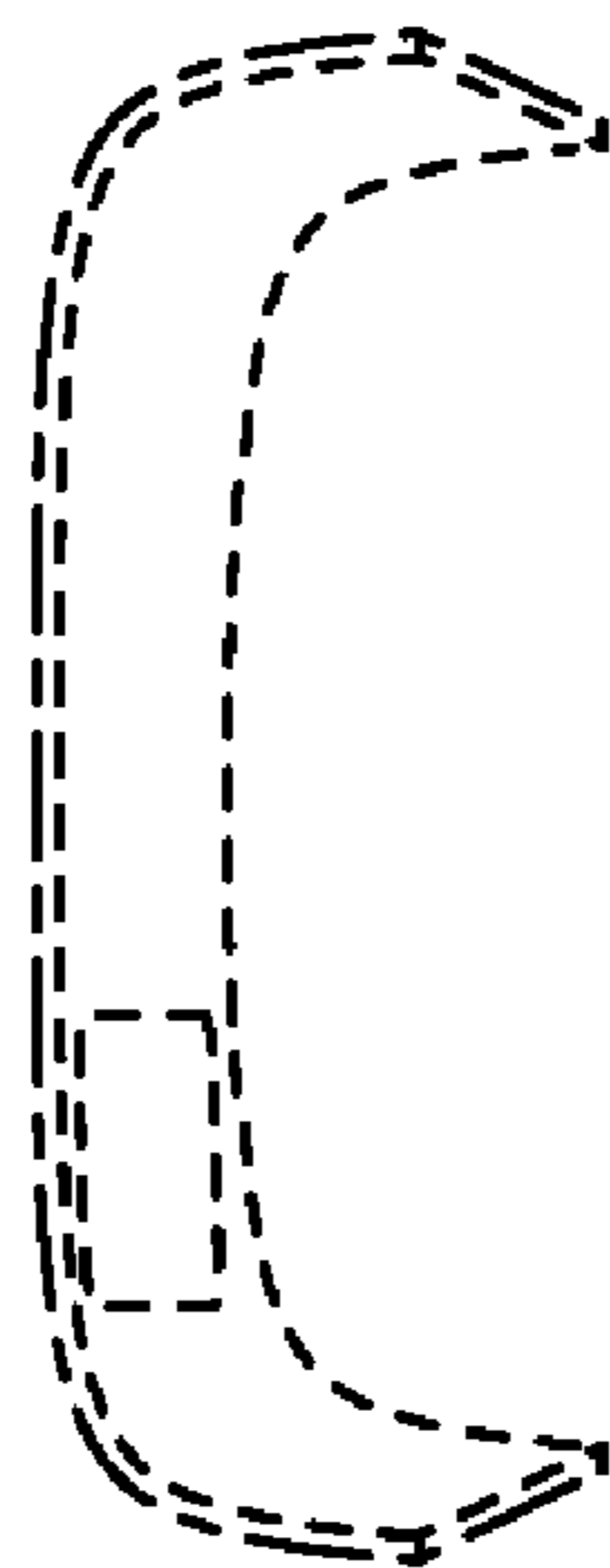


FIG. 6

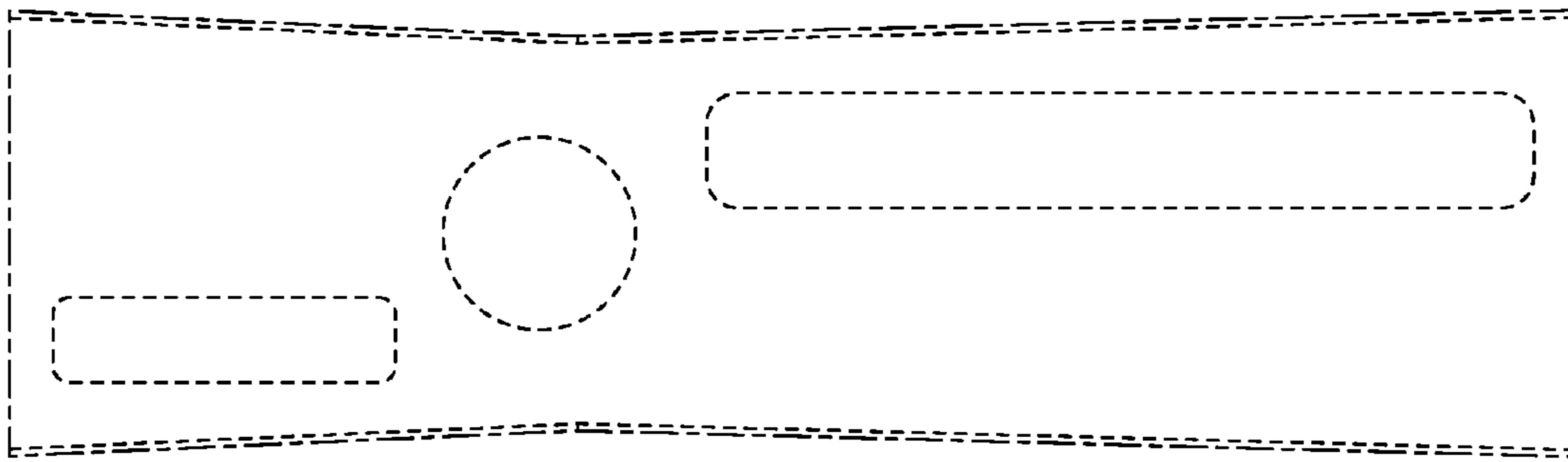


FIG. 7