



US00D640681S

(12) **United States Design Patent**  
**Baumann et al.**

(10) **Patent No.:** **US D640,681 S**  
(45) **Date of Patent:** **\*\* Jun. 28, 2011**

(54) **MOUNT**

(75) Inventors: **Scott Baumann**, Anacortes, WA (US);  
**Brian Wheeler**, Bellingham, WA (US)

(73) Assignee: **Clingo.com LLC**, Ferndale, WA (US)

(\*\*) Term: **14 Years**

(21) Appl. No.: **29/348,211**

(22) Filed: **Dec. 8, 2009**

(51) **LOC (9) Cl.** ..... **14-03**

(52) **U.S. Cl.** ..... **D14/253**

(58) **Field of Classification Search** ..... D14/140,  
D14/140.1, 142, 144, 145, 147-151, 217,  
D14/224, 229, 240, 242, 243, 252, 253, 299,  
D14/447, 483, 214, 224.1, 227, 434, 218,  
D14/216, 191, 496, 451, 452, 130, 159, 146;  
D13/107-108, 168; 361/679.41; 439/534;  
320/10, 115, 116, 107; D10/65; D8/354,  
D8/355, 363; D12/415; 379/449, 455, 165;  
248/122.1, 127, 157, 205.8, 206.2, 279.1,  
248/205.5, 309.1, 309.3, 352; 369/1

See application file for complete search history.

(56) **References Cited**

U.S. PATENT DOCUMENTS

D151,806 S \* 11/1948 Beitch ..... D14/252  
(Continued)

*Primary Examiner* — Robert M Spear

*Assistant Examiner* — Carla Jobe Wright

(74) *Attorney, Agent, or Firm* — Tejpal S. Hansra

(57) **CLAIM**

The ornamental design for a mount, as shown and described.

**DESCRIPTION**

FIG. 1 is an isometric view of a mount showing our new design with an environmental handheld mobile electronic device and an environmental laptop computer shown in broken lines;

FIG. 2 is an enlarged isometric view of the mount of FIG. 1 in a deployed configuration;

FIG. 3 is a front view thereof in a deployed configuration with an environmental handheld mobile electronic device shown in broken lines;

FIG. 4 is a right side view thereof in a deployed configuration;

FIG. 5 is a left side view thereof in a deployed configuration;

FIG. 6 is a back view thereof in a deployed configuration;

FIG. 7 is a top view thereof in a deployed configuration;

FIG. 8 is a bottom view thereof in a deployed configuration;

FIG. 9 is an isometric view of the mount in a non-deployed configuration;

FIG. 10 is a front view thereof in a non-deployed configuration;

FIG. 11 is a right side view thereof in a non-deployed configuration;

FIG. 12 is a left side view thereof in a non-deployed configuration;

FIG. 13 is a back view thereof in a non-deployed configuration;

FIG. 14 is a top view thereof in a non-deployed configuration;

FIG. 15 is a bottom view thereof in a non-deployed configuration;

FIG. 16 is an isometric view of the mount in a semi-deployed configuration;

FIG. 17 is a front view thereof in a semi-deployed configuration;

FIG. 18 is a right side view thereof in a semi-deployed configuration;

FIG. 19 is a left side view thereof in a semi-deployed configuration;

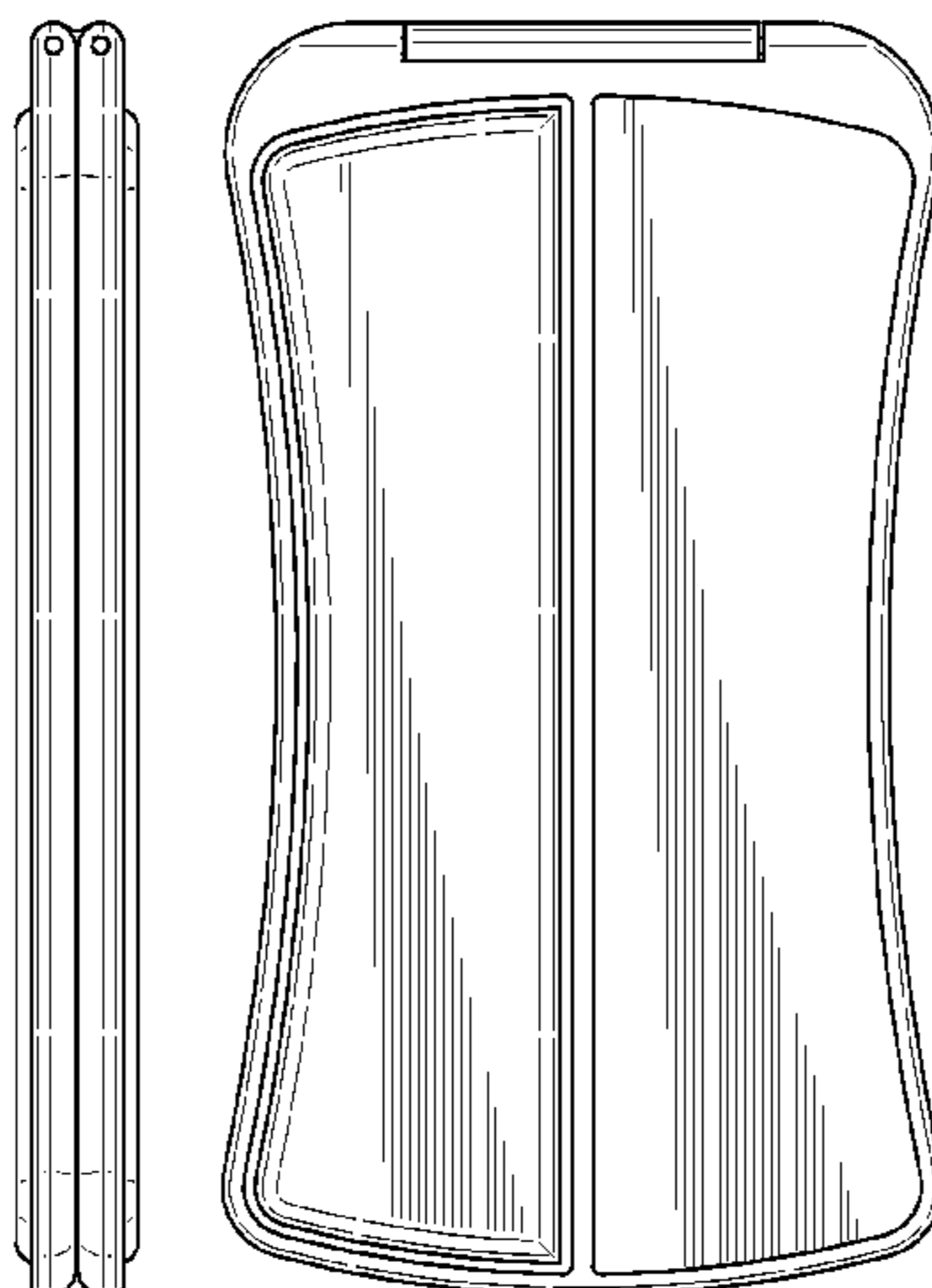
FIG. 20 is a back view thereof in a semi-deployed configuration;

FIG. 21 is a top view thereof in a semi-deployed configuration; and,

FIG. 22 is a bottom view thereof in a semi-deployed configuration.

The broken lines in the drawing are for illustrative purposes only and form no part of the claimed design. Specifically, the broken lines are provided to illustrate the environment in which the mount may be used.

**1 Claim, 8 Drawing Sheets**



# US D640,681 S

Page 2

---

## U.S. PATENT DOCUMENTS

D184,411 S *	2/1959	Schoen .....	D14/252	D599,736 S *	9/2009	Ferber et al. ....	D13/108
D317,157 S *	5/1991	Jondelius .....	D14/253	D600,913 S *	9/2009	Kalbach .....	D3/294
D360,210 S *	7/1995	Rudkiewicz et al. ....	D14/253	D603,840 S *	11/2009	Lee et al. ....	D14/217
D363,723 S *	10/1995	Hellier et al. ....	D14/243	D606,545 S *	12/2009	Salmon .....	D14/434
D411,209 S *	6/1999	Richter .....	D14/253	D615,063 S *	5/2010	Jeong et al. ....	D14/138 AB
D508,916 S *	8/2005	Lee .....	D14/447	D623,642 S *	9/2010	Wang .....	D14/253
D514,091 S *	1/2006	Sube .....	D14/214	D626,129 S *	10/2010	Lutz .....	D14/447
D526,996 S *	8/2006	Sbordn, Jr. ....	D14/253	D627,771 S *	11/2010	Smith et al. ....	D14/253
D529,489 S *	10/2006	Sbordn, Jr. ....	D14/253	D628,148 S *	11/2010	English et al. ....	D13/102
D557,259 S *	12/2007	Hirsch .....	D14/217	2010/0320341 A1 *	12/2010	Baumann et al. ....	248/206.2
D578,960 S *	10/2008	Fisher et al. ....	D13/108				
D597,055 S *	7/2009	Ladouceur et al. ....	D14/138 AB				

\* cited by examiner

FIG. 1

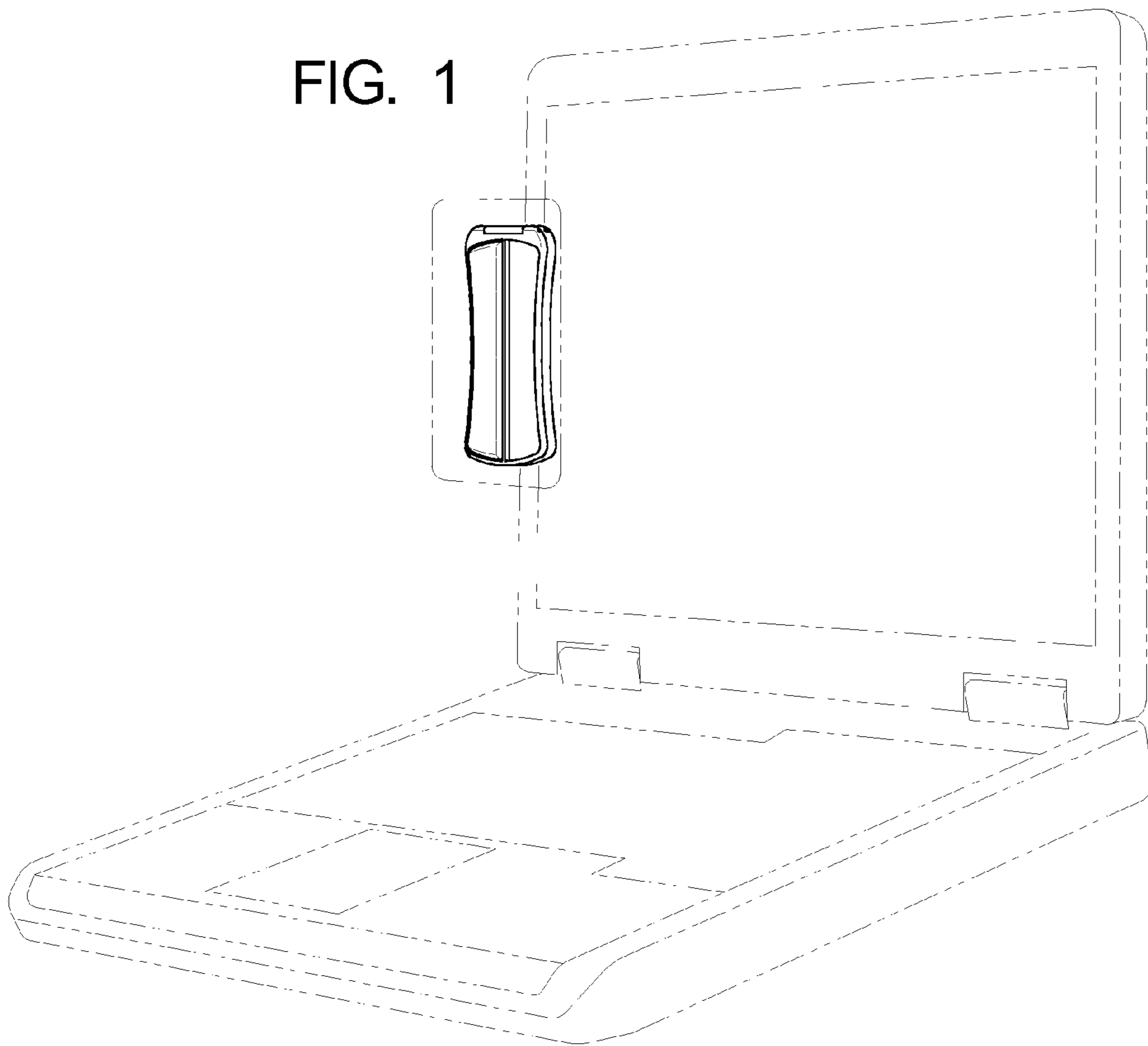


FIG. 2



FIG. 3



FIG. 4

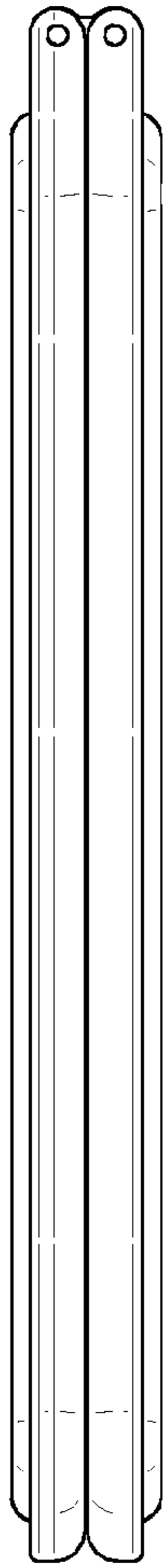


FIG. 5

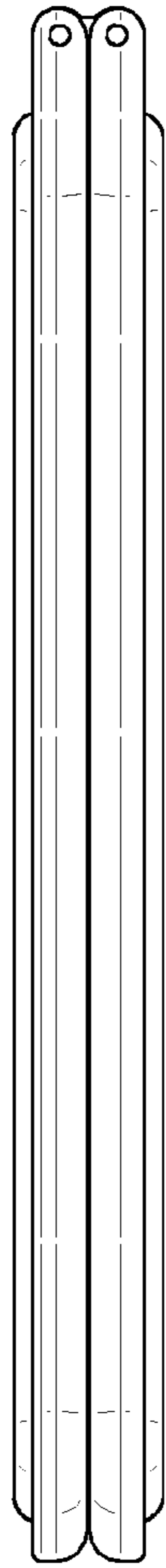


FIG. 6

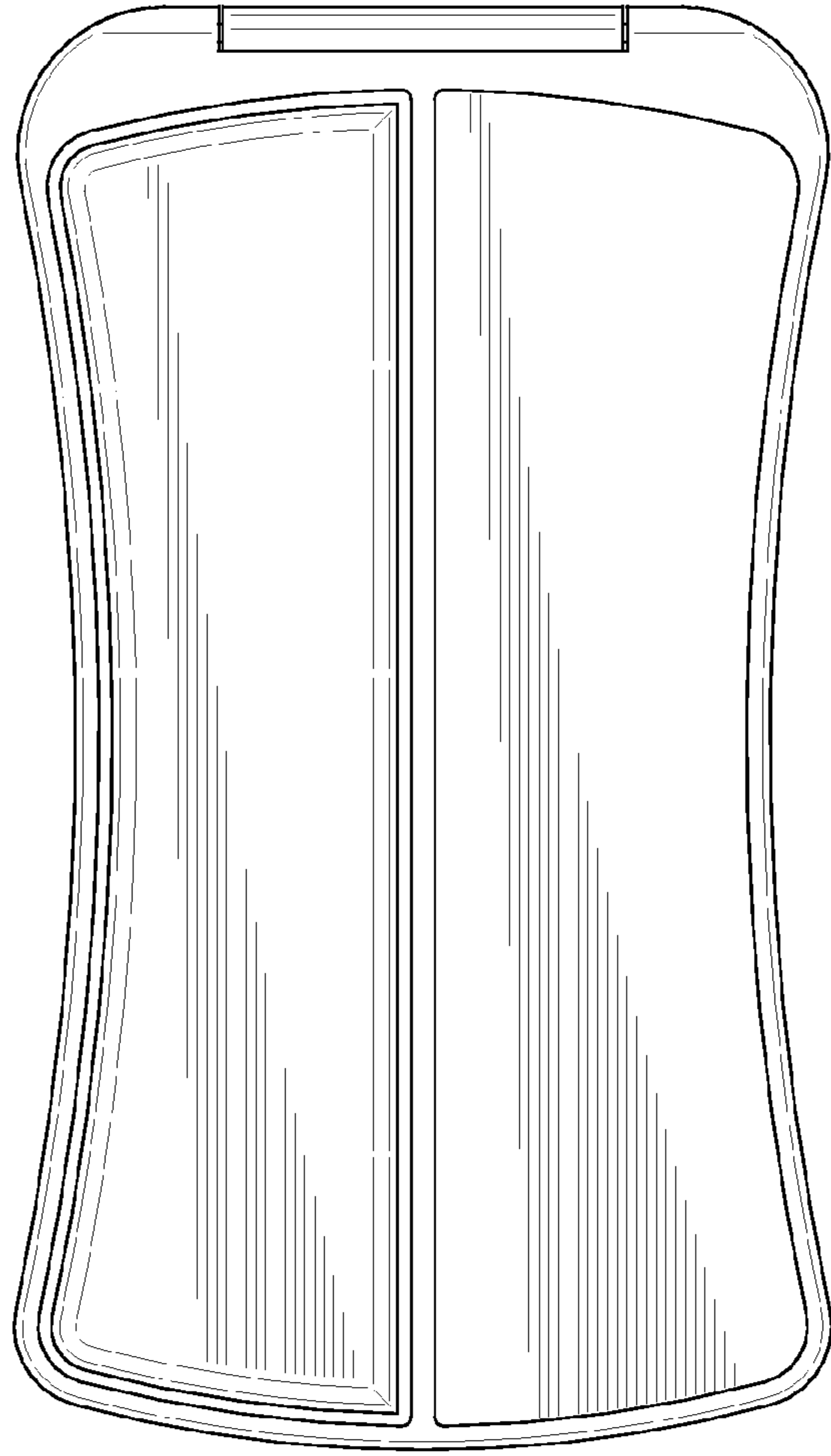


FIG. 7

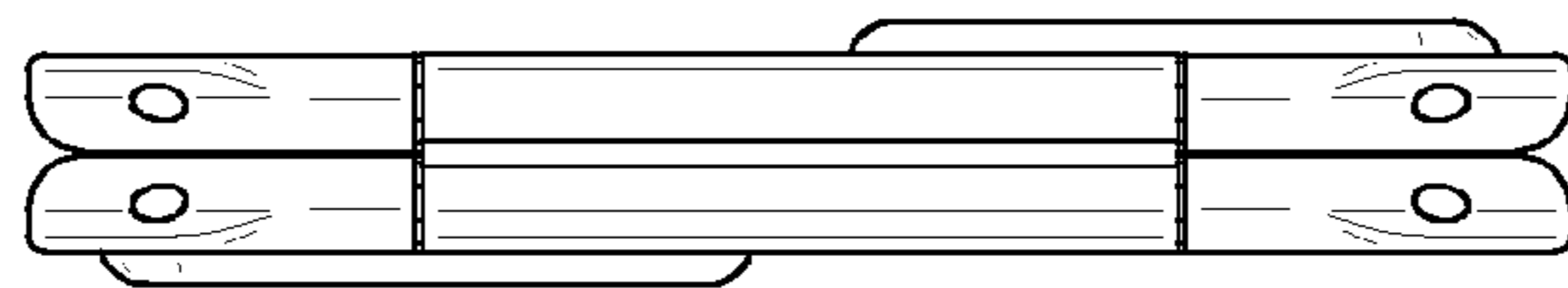


FIG. 8

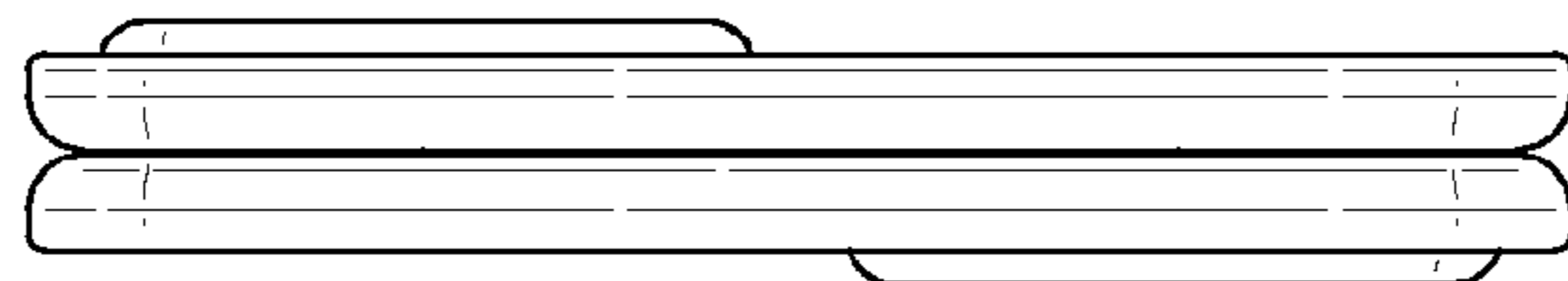


FIG. 9

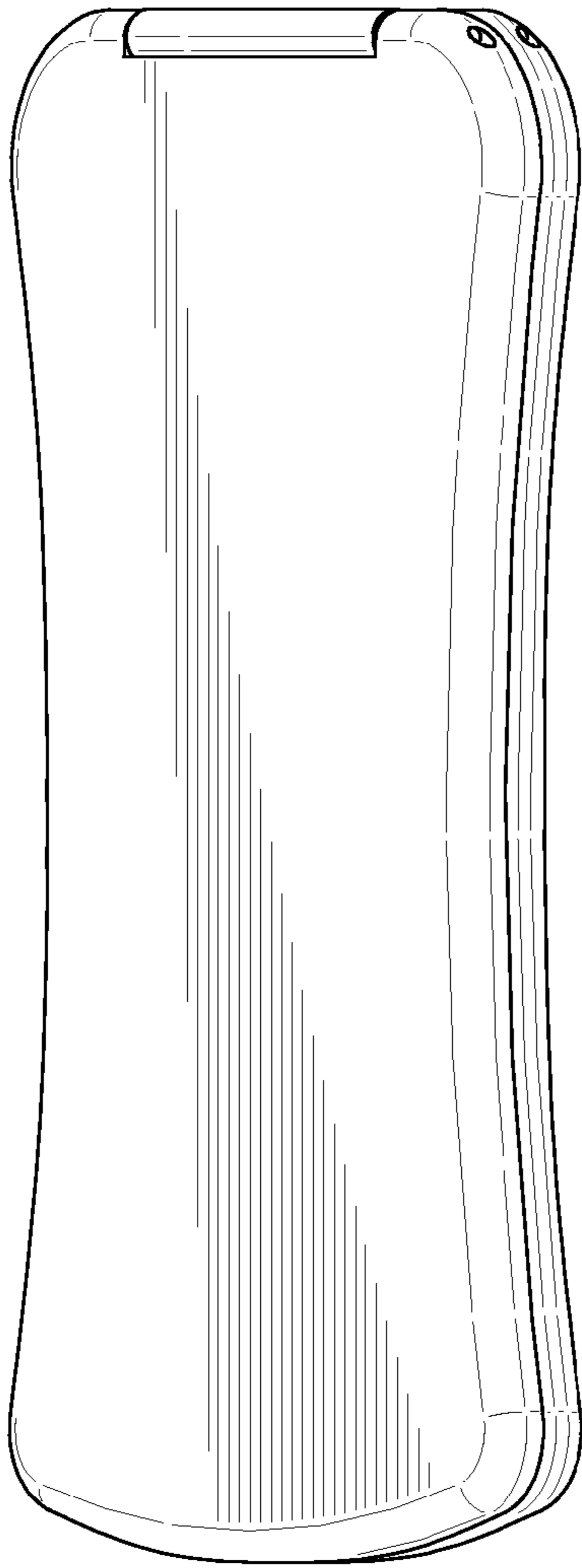


FIG. 10

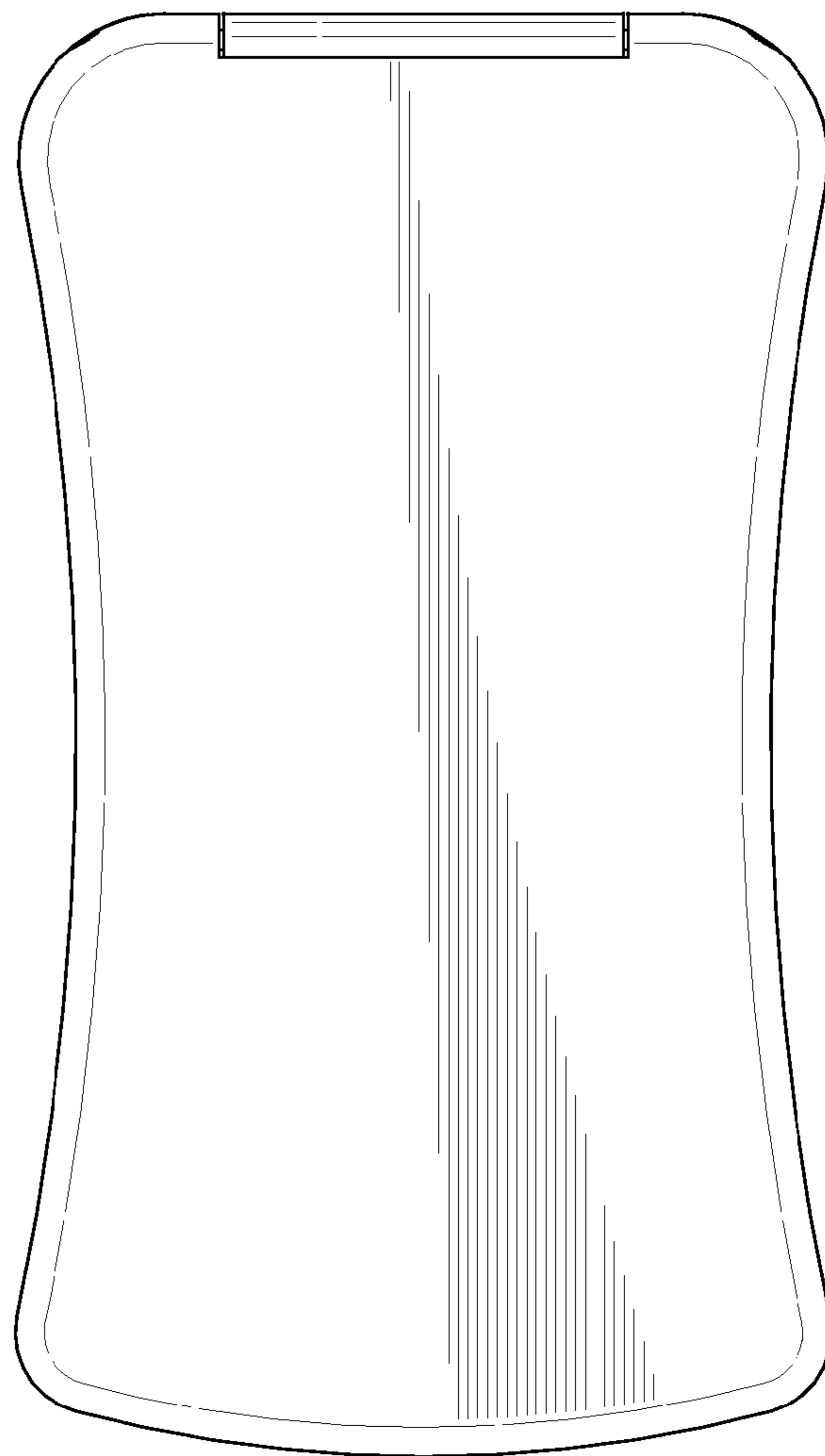


FIG. 11

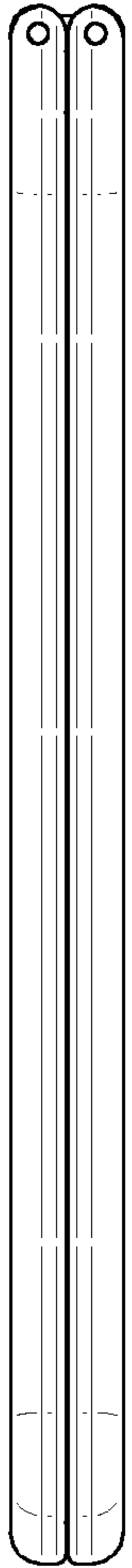


FIG. 12

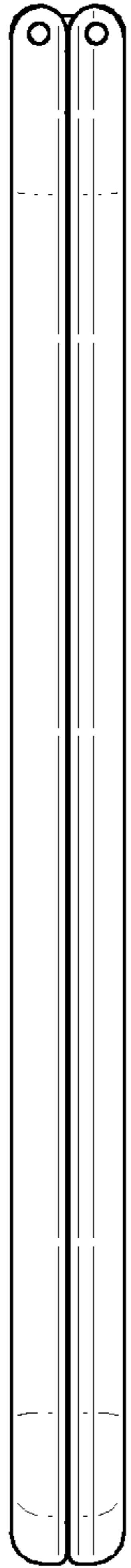


FIG. 13

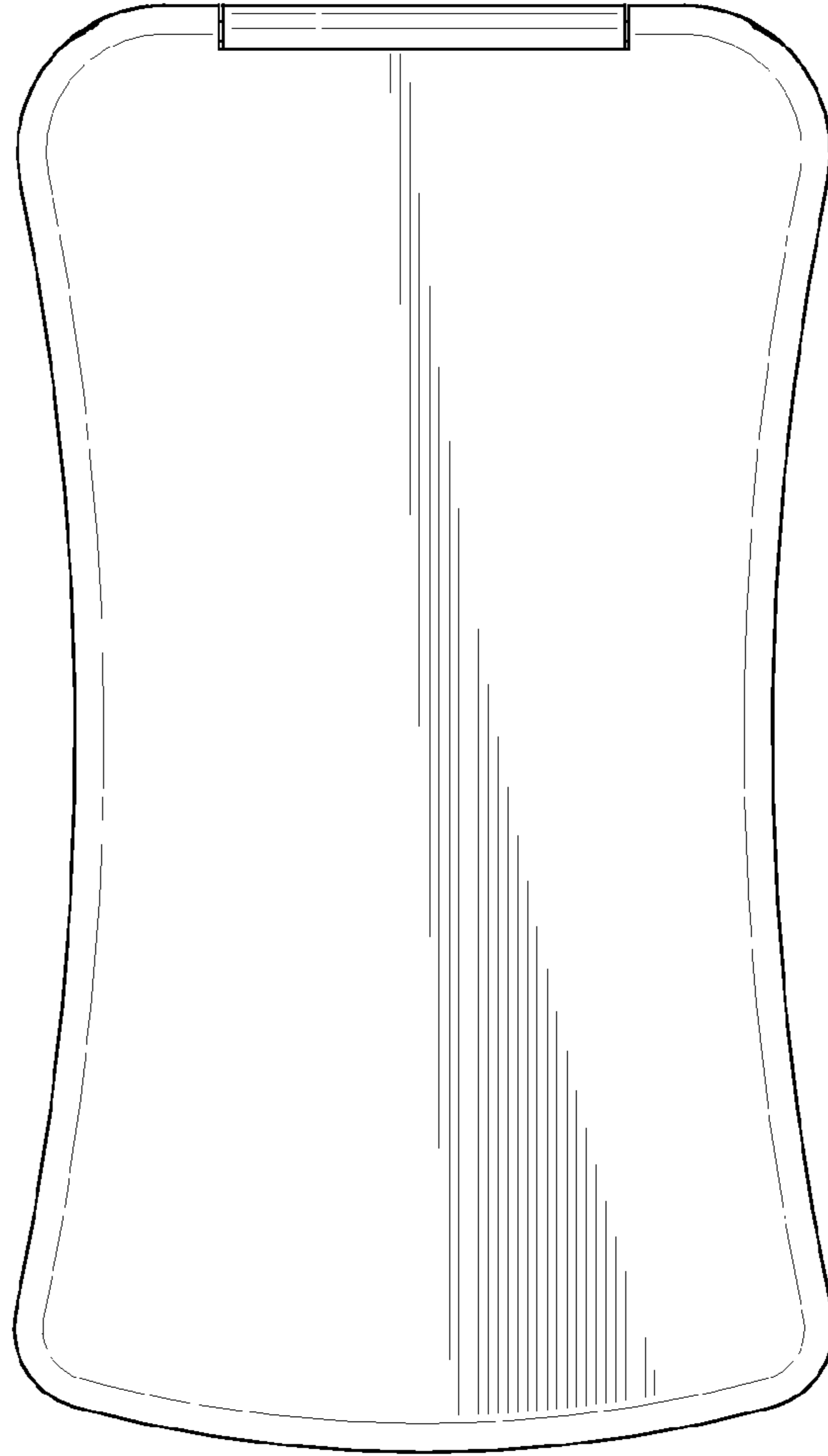


FIG. 14

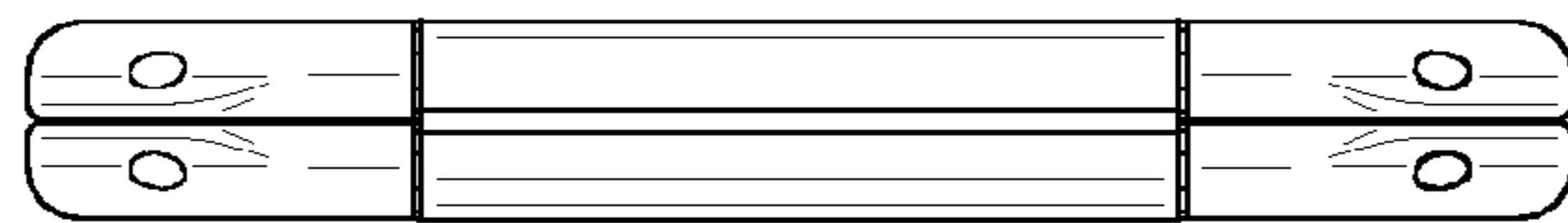


FIG. 15

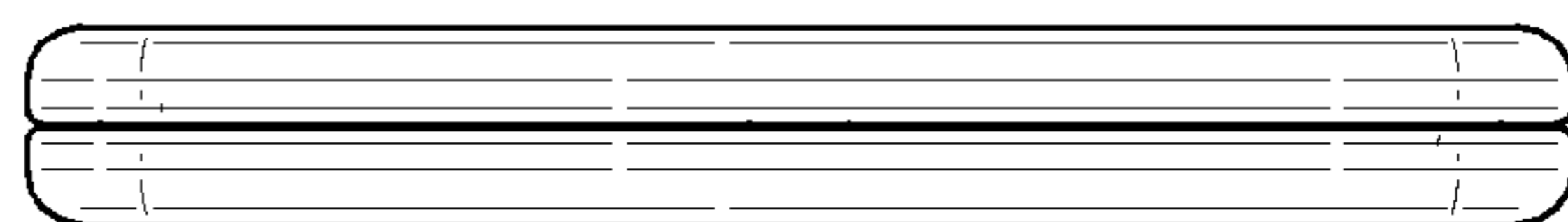


FIG. 16

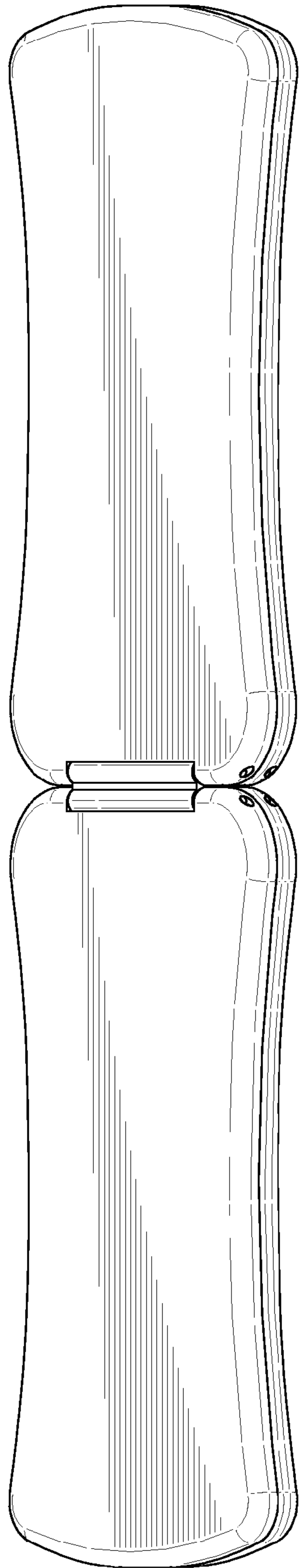


FIG. 17

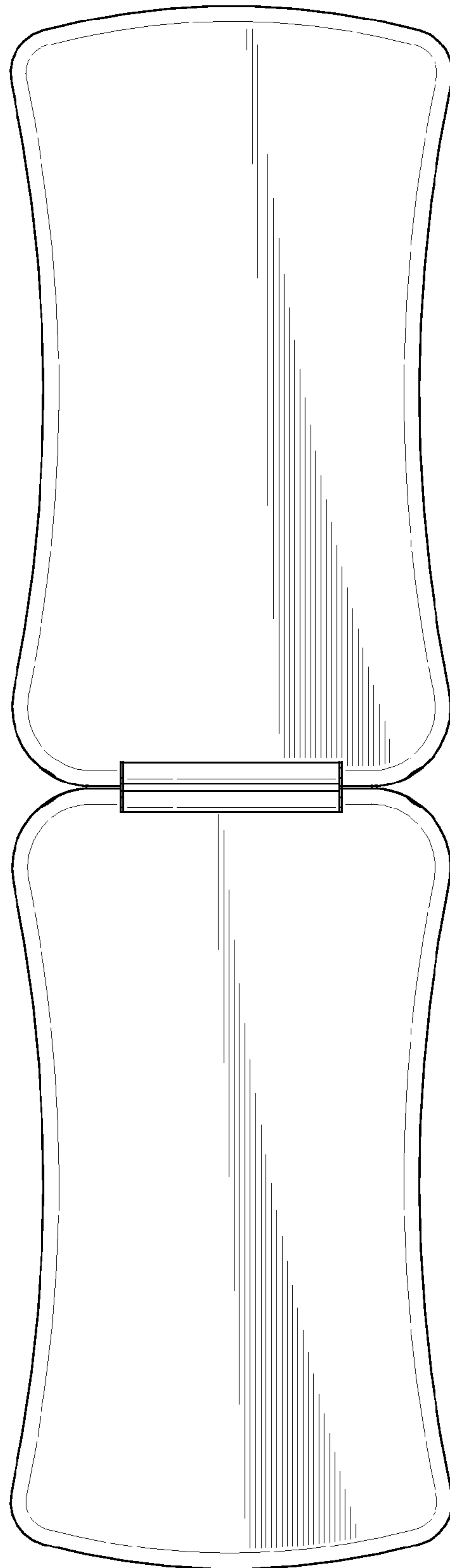




FIG. 18

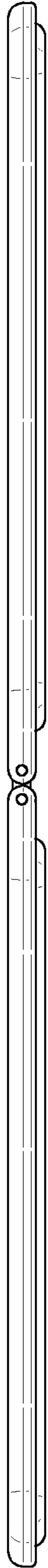


FIG. 19



FIG. 20

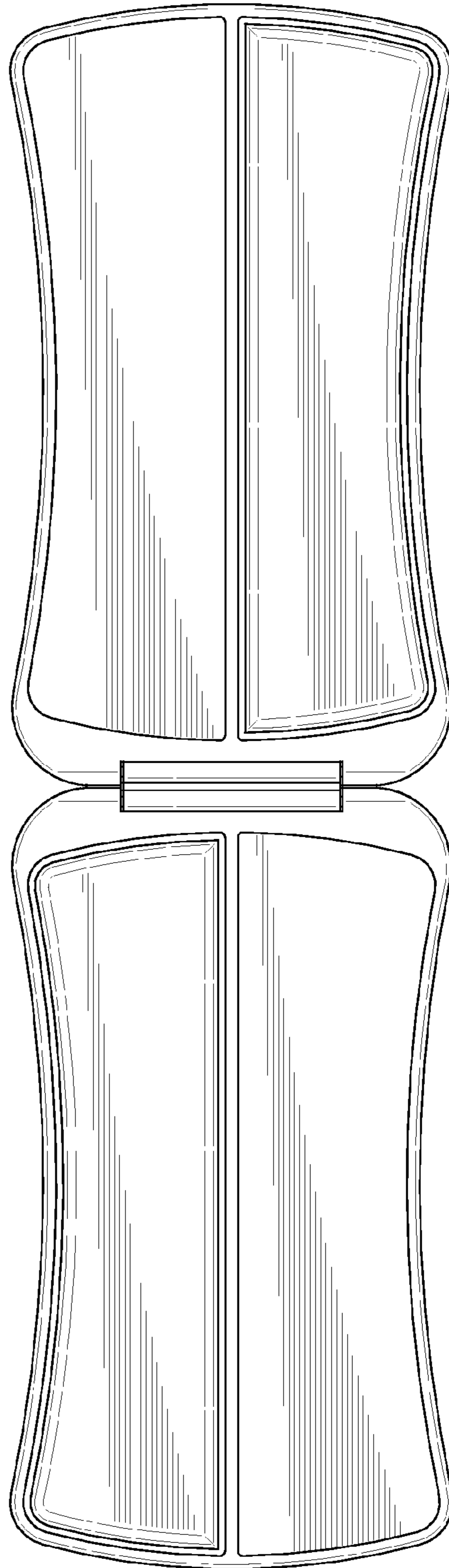


FIG. 21



FIG. 22

