



US00D640679S

(12) **United States Design Patent**
Willes et al.

(10) **Patent No.:** **US D640,679 S**

(45) **Date of Patent:** **** Jun. 28, 2011**

(54) **COVER FOR AN ELECTRONIC DEVICE**

(75) Inventors: **Stephen Willes**, Fort Collins, CO (US);
Travis Smith, Fort Collins, CO (US)

(73) Assignee: **Otter Products, LLC**, Fort Collins, CO (US)

(**) Term: **14 Years**

(21) Appl. No.: **29/377,532**

(22) Filed: **Oct. 22, 2010**

(51) **LOC (9) Cl.** **14-03**

(52) **U.S. Cl.** **D14/250**

(58) **Field of Classification Search** D14/250–253,
D14/440, 203.7, 217, 496, 203.3, 447; D3/201,
D3/218, 269, 301, 273, 303; D13/103; 220/4.02;
224/191, 240, 241, 245, 682–683; 248/309.1;
361/679.56; 379/426, 433.11, 455; 455/575.1,
455/575.8; 190/100; 206/305, 320

See application file for complete search history.

D624,910 S * 10/2010 Richardson et al. D14/250
D626,129 S * 10/2010 Lutz D14/447
D629,193 S * 12/2010 Liu D3/218
D633,504 S * 3/2011 Alexander, Jr. D14/447
D634,315 S * 3/2011 Nousiainen D14/253
2003/0151890 A1* 8/2003 Huang et al. 361/683

OTHER PUBLICATIONS

Incipio Ultra Lightweight Motorola V3 v3m v3i v3c RAZR Magnesium Play Thru Holster Belt Carrying Case, <URL:http://www.cheap-zune-accessories.com/product/RAZR_HOLSTER_ID-277/Incipio-Ultra-Lightweight-Motorola-V3-v3m-v3i-v3c-RAZR-Magnesium-Play-Thru-Holster-Belt-Carrying-Case---Red.html>, retrieved from internet Mar. 23, 2011.*

* cited by examiner

Primary Examiner — Rob Spear

Assistant Examiner — Carla Wright

(57) **CLAIM**

The ornamental design for a cover for an electronic device, as shown and described.

(56) **References Cited**

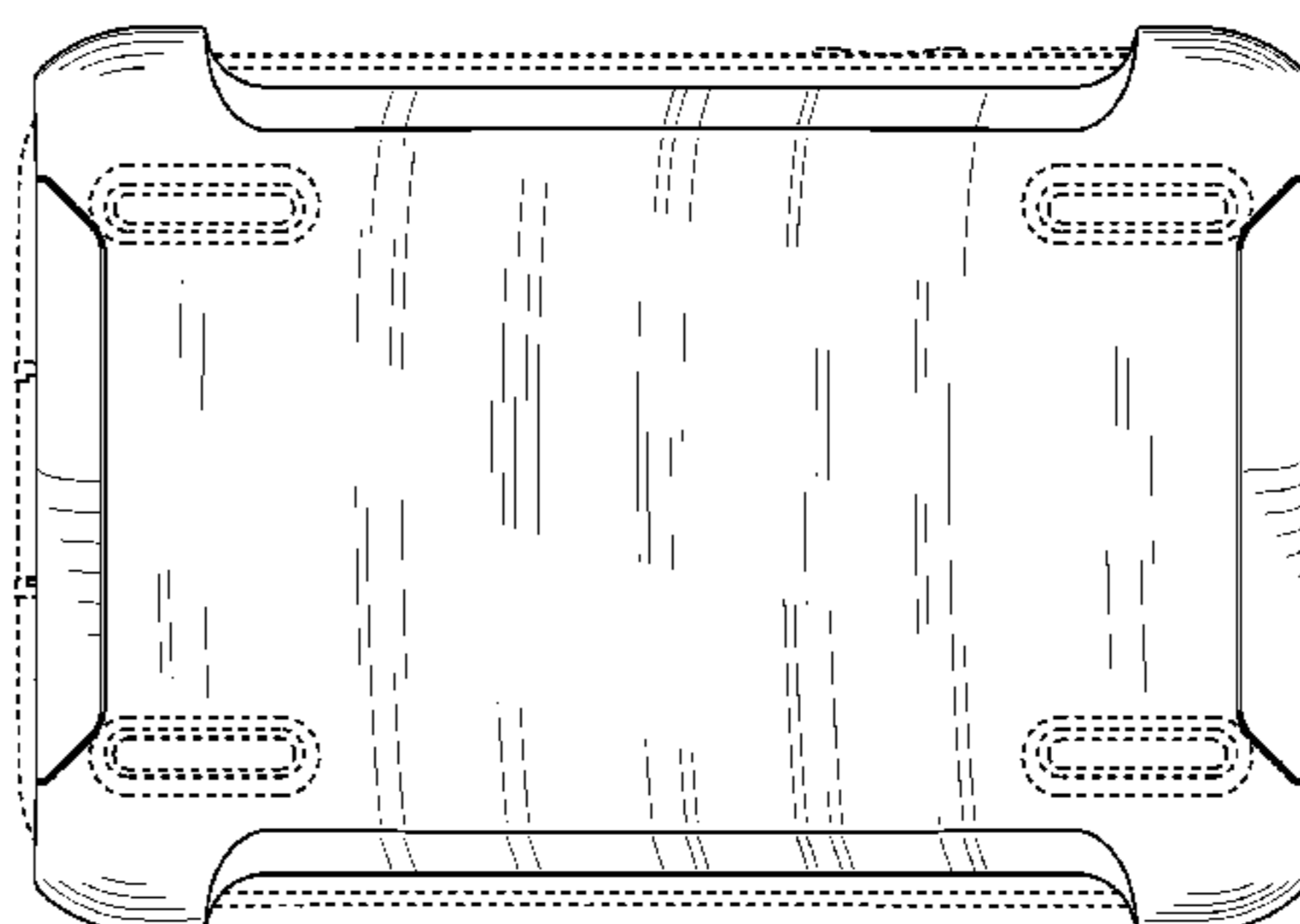
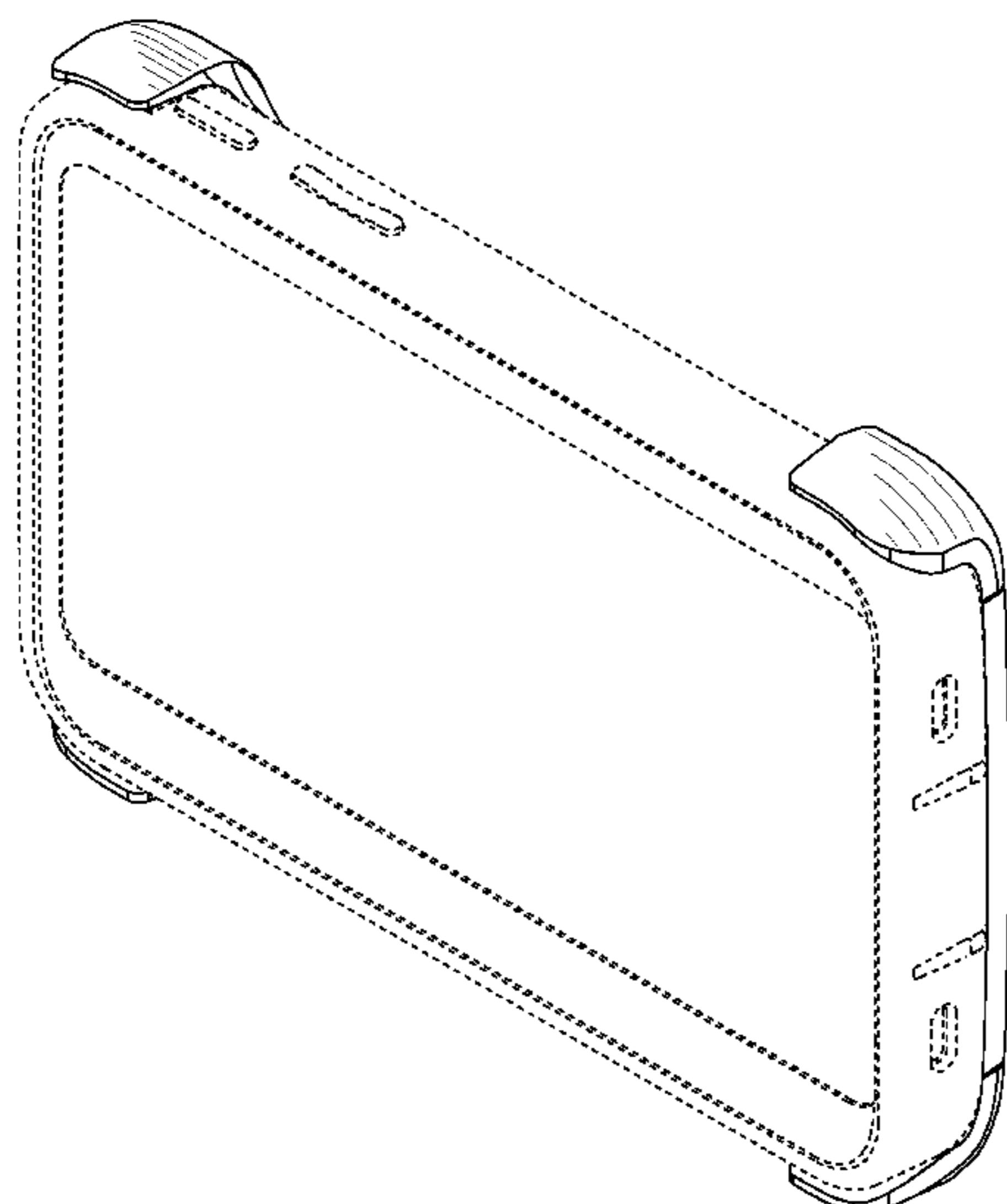
U.S. PATENT DOCUMENTS

D158,060 S * 4/1950 Flatter D14/253
D317,157 S * 5/1991 Jondelius D14/253
5,016,851 A * 5/1991 Koskinen et al. 248/278.1
5,187,744 A * 2/1993 Richter 379/449
5,697,071 A * 12/1997 Fan 455/575.9
6,616,111 B1 * 9/2003 White 248/309.1
D504,564 S * 5/2005 Robertson et al. D3/218
D517,310 S * 3/2006 Aron et al. D3/218
D529,713 S * 10/2006 Guyot et al. D3/218
D543,541 S * 5/2007 Chung et al. D3/269
D551,855 S * 10/2007 Yeh et al. D3/218
D564,220 S * 3/2008 Dixon D3/218
D565,290 S * 4/2008 Brandenburg et al. D3/218
D592,188 S * 5/2009 Huang D14/217
D593,750 S * 6/2009 Song D3/269
D615,299 S * 5/2010 Agarwal et al. D3/269
D616,430 S * 5/2010 Fathollahi D14/250
D620,931 S * 8/2010 Opman D14/250
D623,639 S * 9/2010 Richardson et al. D14/250

DESCRIPTION

FIG. 1 is a front isometric view of a cover for an electronic device showing our new design;
FIG. 2 is a rear isometric view thereof;
FIG. 3 is a front view thereof;
FIG. 4 is a rear view thereof;
FIG. 5 is a left view thereof;
FIG. 6 is a right view thereof;
FIG. 7 is a top view thereof;
FIG. 8 is a bottom view thereof;
FIG. 9 is a front isometric view of another position of a cover for an electronic device; and,
FIG. 10 is a rear isometric view of another position of a cover for an electronic device.
In the drawings, the broken lines depict unclaimed environment.

1 Claim, 8 Drawing Sheets



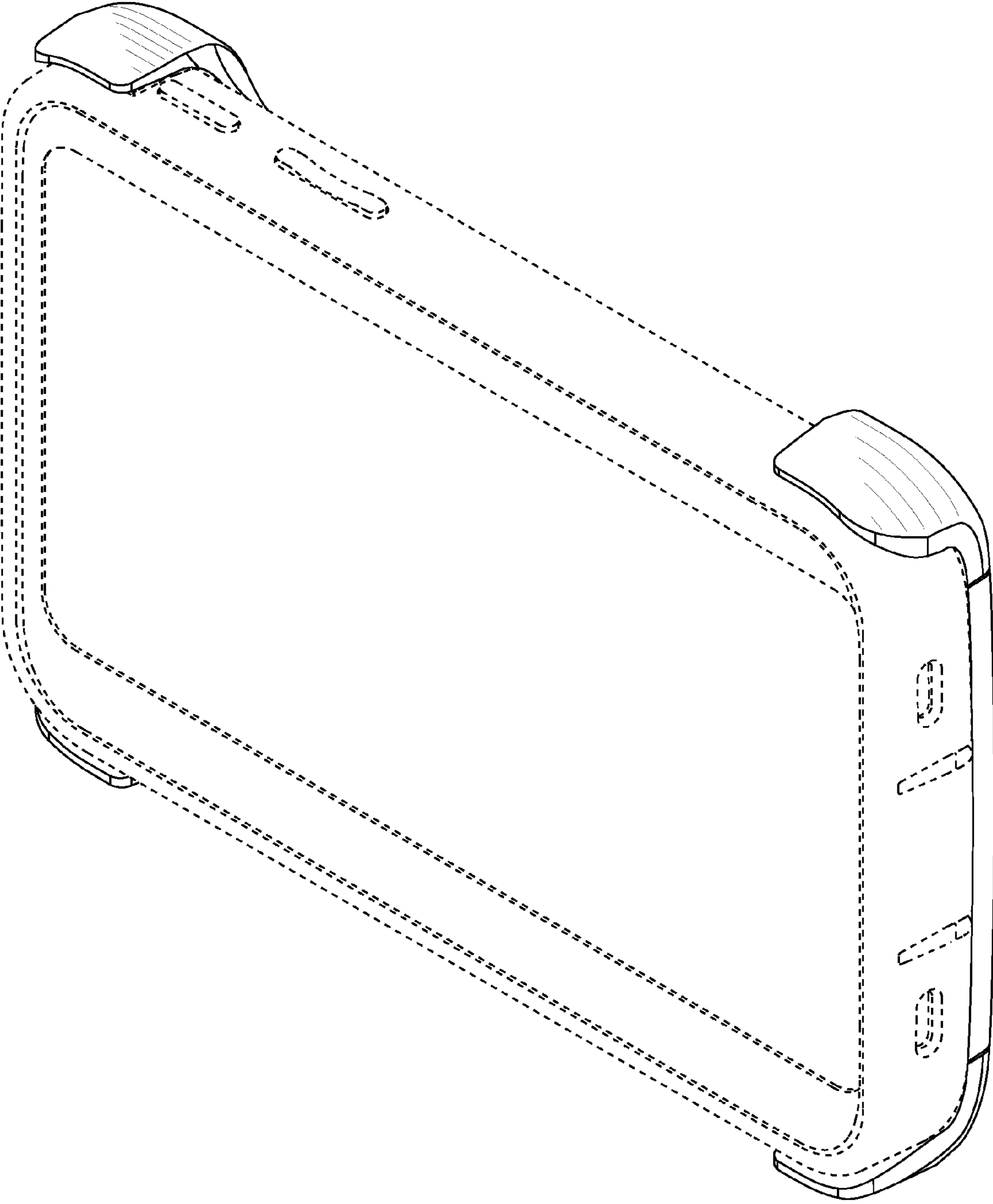


FIG. 1

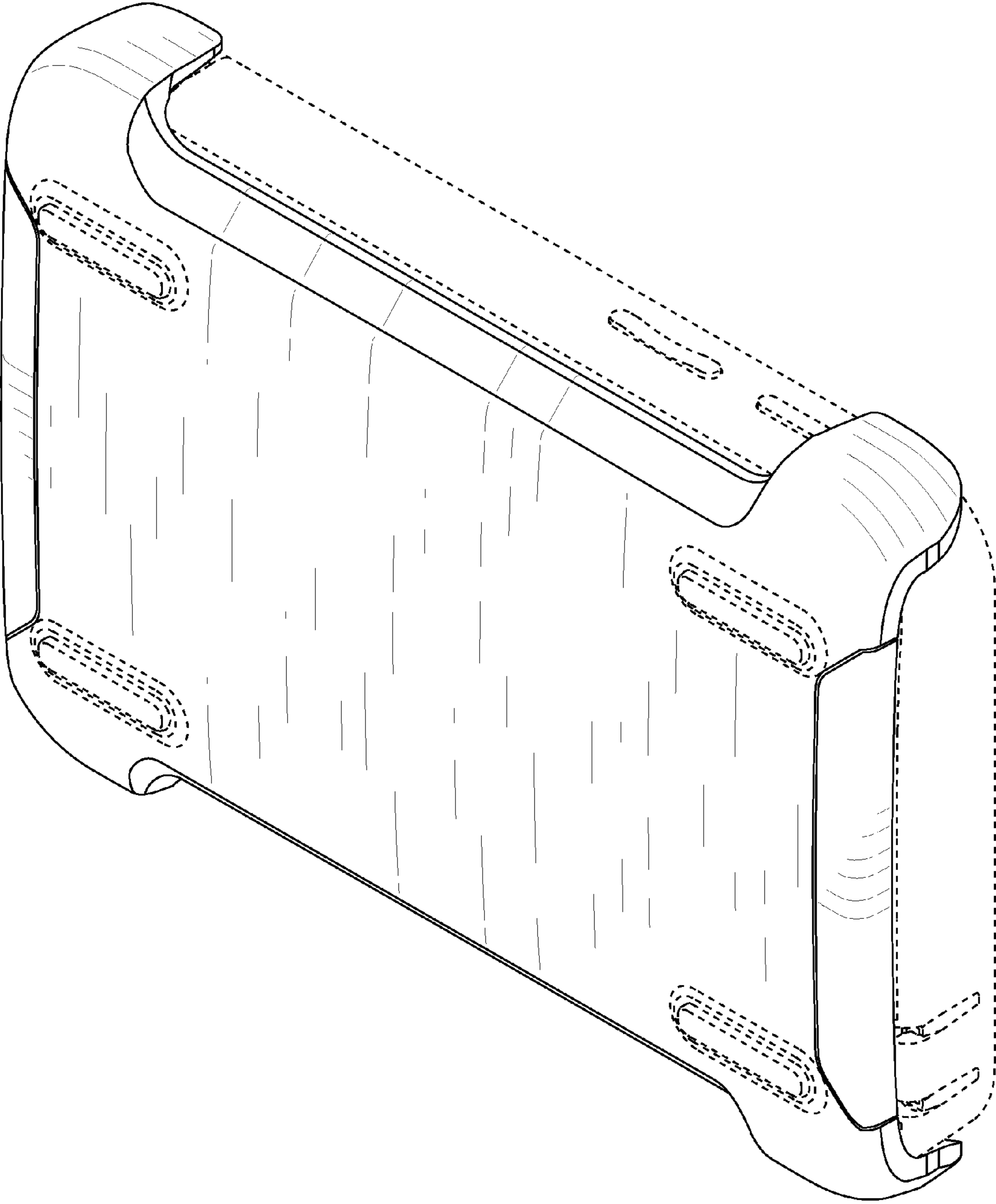


FIG. 2

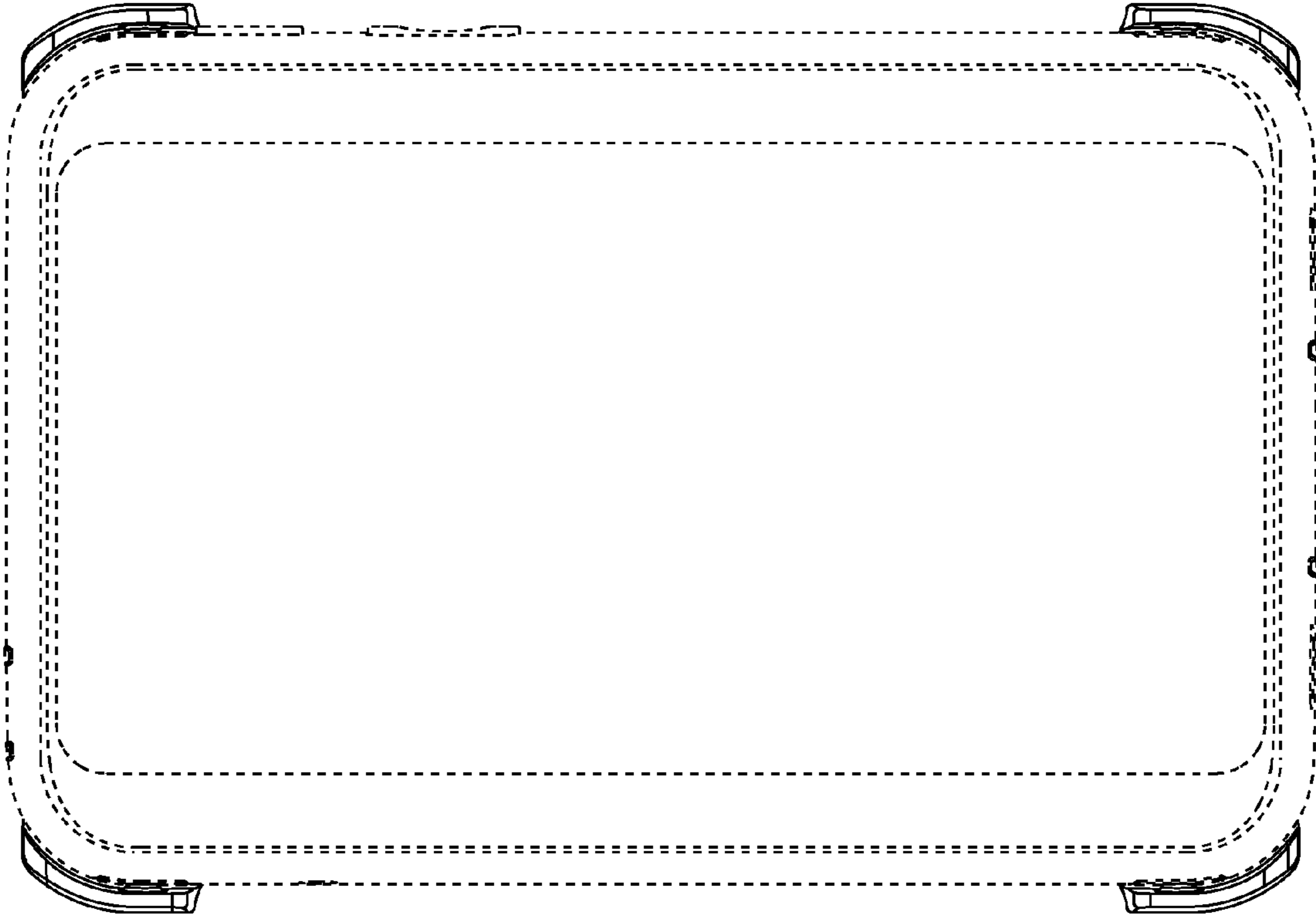


FIG. 3

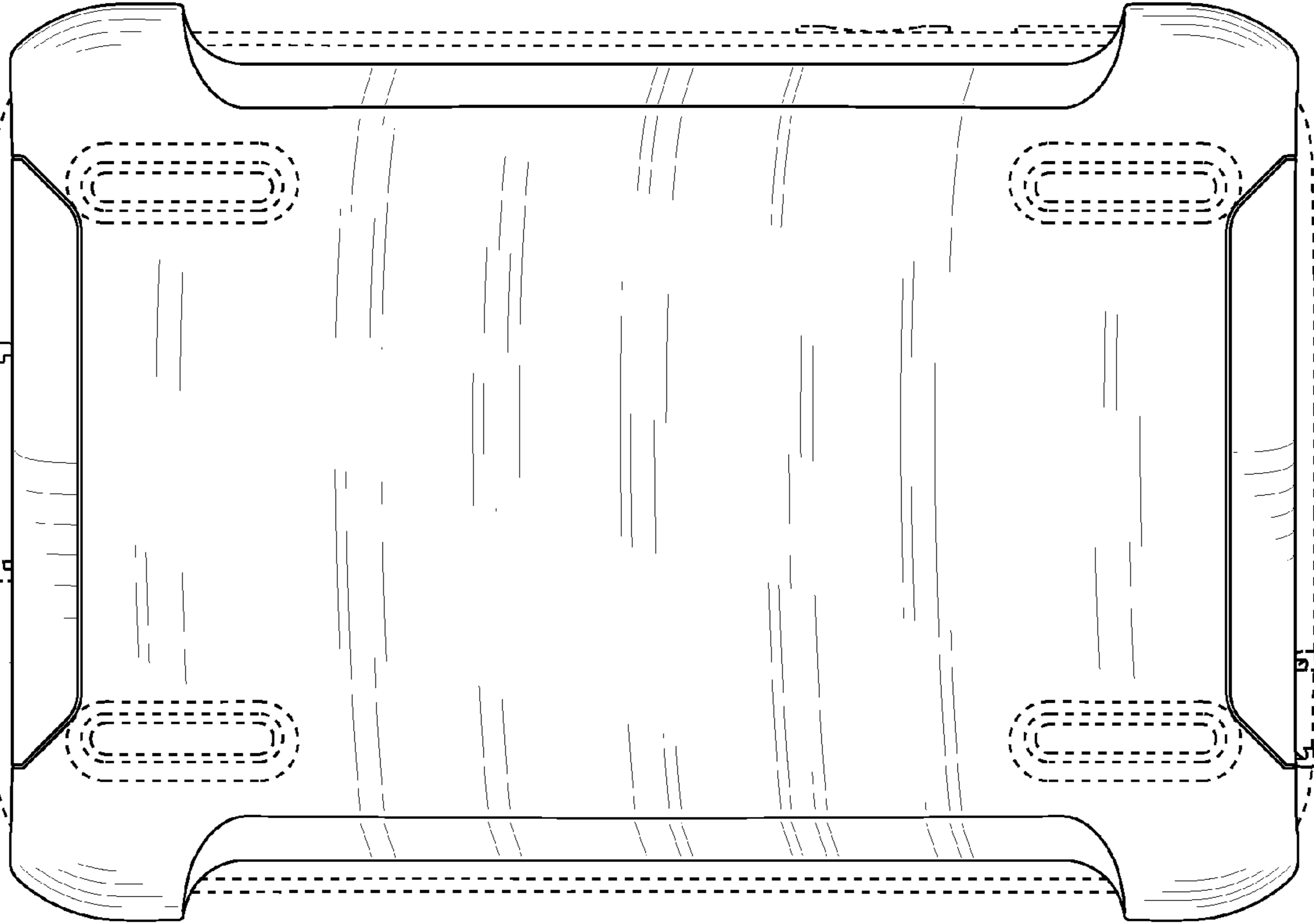


FIG. 4

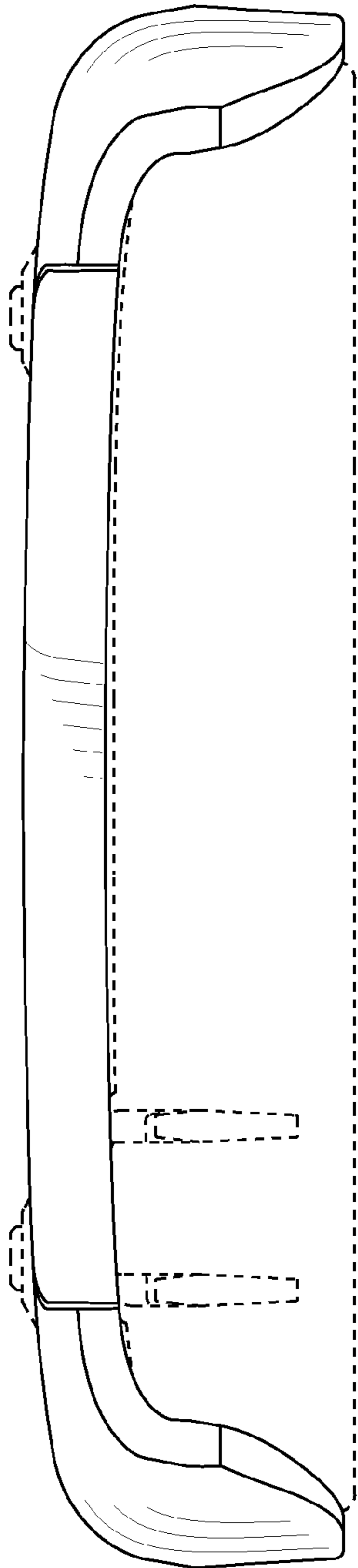


FIG. 5

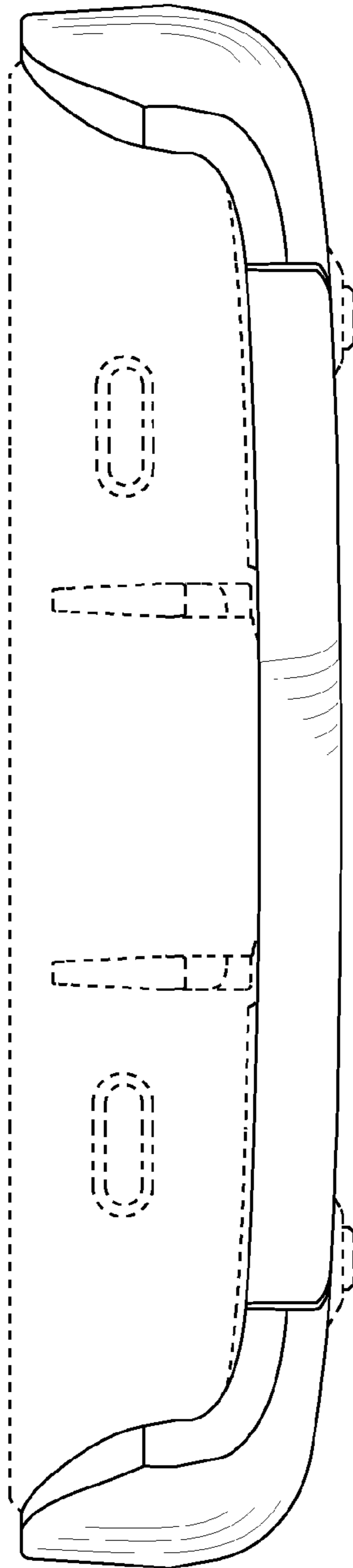


FIG. 6



FIG. 7

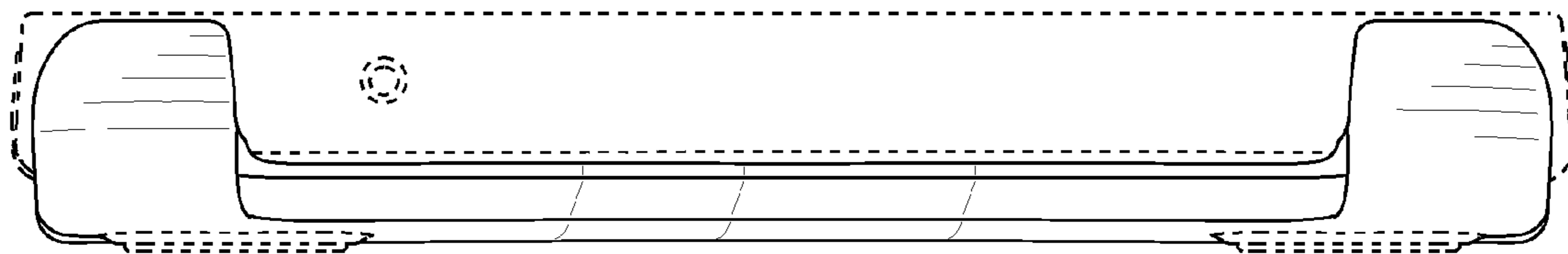


FIG. 8

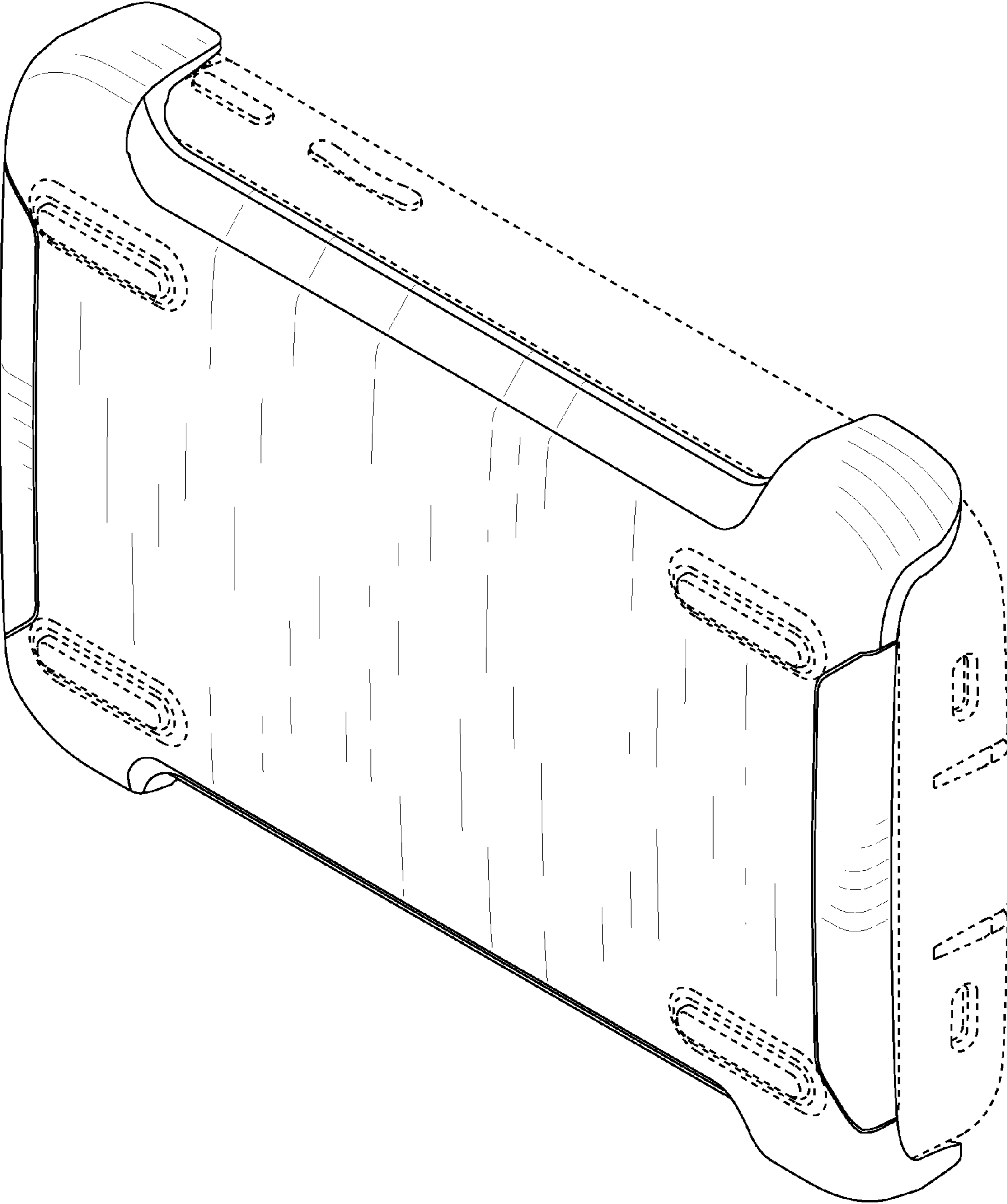


FIG. 9

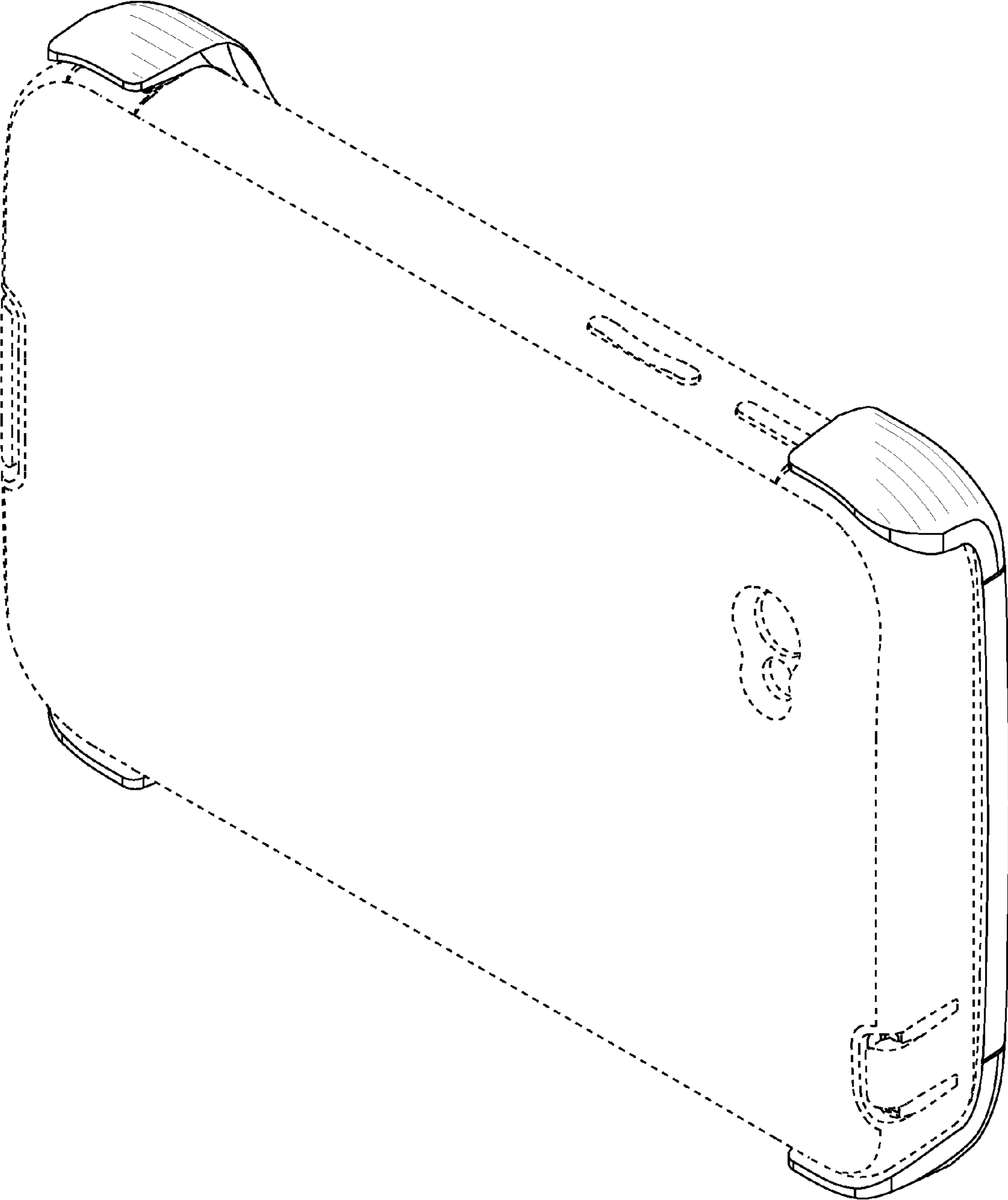


FIG. 10