



US00D640678S

(12) **United States Design Patent**
Madsen et al.

(10) **Patent No.:** **US D640,678 S**
(45) **Date of Patent:** **** Jun. 28, 2011**

(54) **BACK PORTION OF A MOBILE COMMUNICATION DEVICE**

D603,857 S * 11/2009 Madsen et al. D14/248
D608,332 S * 1/2010 Huang et al. D14/138 G
D611,924 S * 3/2010 Ou et al. D14/138 AD

* cited by examiner

(75) Inventors: **Jesse S. Madsen**, Oakland, CA (US);
William D. Webb, II, San Francisco, CA (US)

Primary Examiner — Susan Bennett Hattan

Assistant Examiner — Barbara Lohr

(73) Assignee: **T-Mobile USA, Inc.**, Bellevue, WA (US)

(74) *Attorney, Agent, or Firm* — Perkins Coie LLP

(**) Term: **14 Years**

(57) **CLAIM**

The ornamental design for a back portion of a mobile communication device, as shown and described.

(21) Appl. No.: **29/334,261**

DESCRIPTION

(22) Filed: **Mar. 23, 2009**

(51) **LOC (9) Cl.** **14-03**

(52) **U.S. Cl.** **D14/248**

(58) **Field of Classification Search** D14/138 AA,
D14/138 AB, 138 AD, 138 G, 248, 345, 346;
D21/329, 331, 333; D16/208; D10/65; D18/208;
379/433.01-433.13; 455/41.2, 90.3, 566,
455/556.1, 556.2, 575.4

See application file for complete search history.

FIG. 1 is a back view of an embodiment of a back portion of a mobile communication device showing our design.

FIG. 2 is a front perspective view of the mobile communication device with a screen portion in an open position.

FIG. 3 is a back view thereof, with a bottom portion of the mobile communication device removed for purposes of illustration.

FIG. 4 is a back view of a variation of the back portion of a mobile communication device in which the two generally circular regions have a contrasting material or finish; and, FIG. 5 is a back view of another variation of the back portion of a mobile communication device.

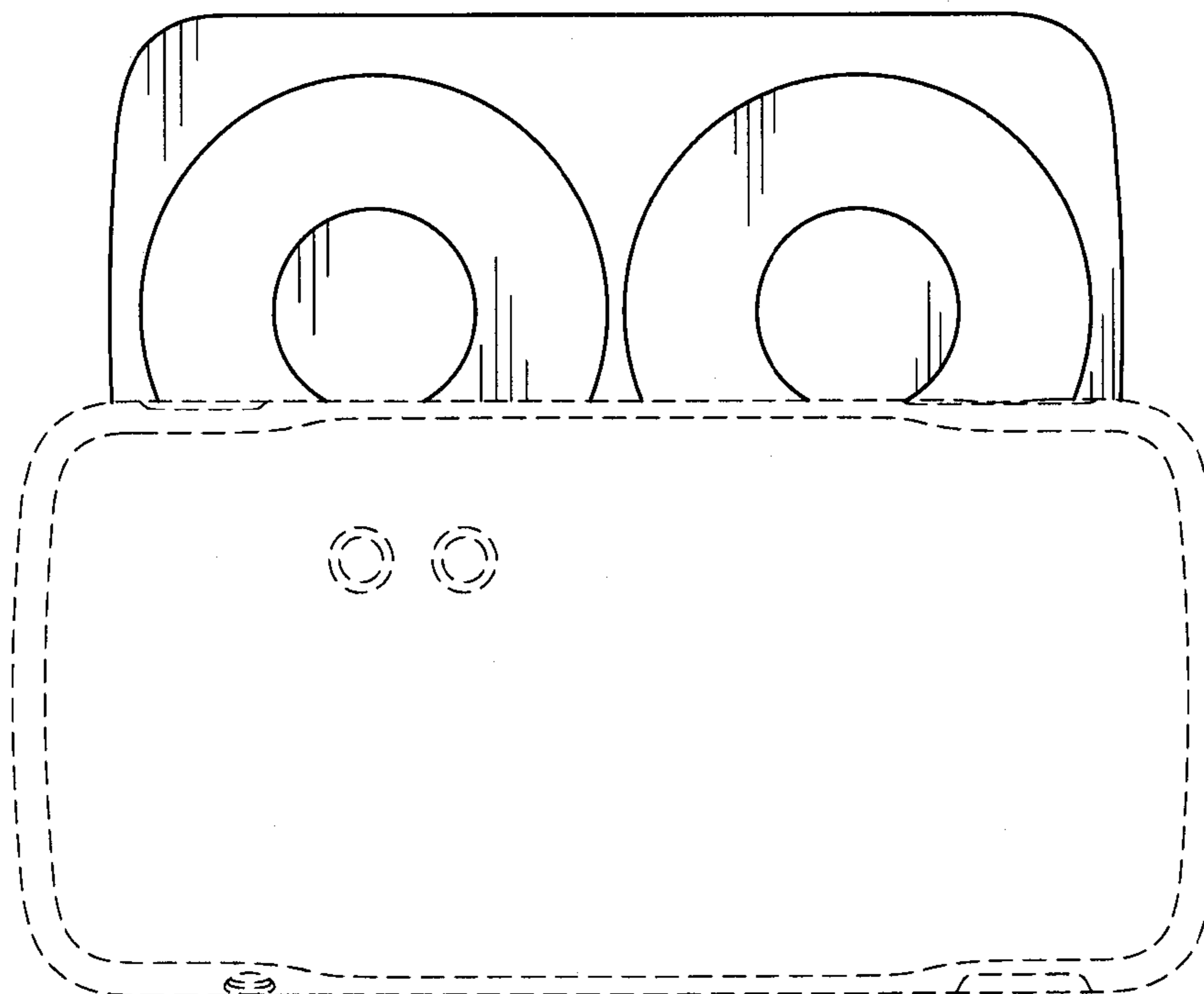
The broken line(s), which define the bounds of the back portion of a mobile communication device and the arrangement of certain features of the device, form no part of the claimed design.

(56) **References Cited**

U.S. PATENT DOCUMENTS

D571,800 S * 6/2008 Tamaki et al. D14/345
D577,018 S * 9/2008 Lin D14/346
D584,709 S * 1/2009 Chiang D14/138 AD
D597,055 S * 7/2009 Ladouceur et al. D14/138 AB
D602,456 S * 10/2009 Aithal et al. D14/138 AA

1 Claim, 3 Drawing Sheets



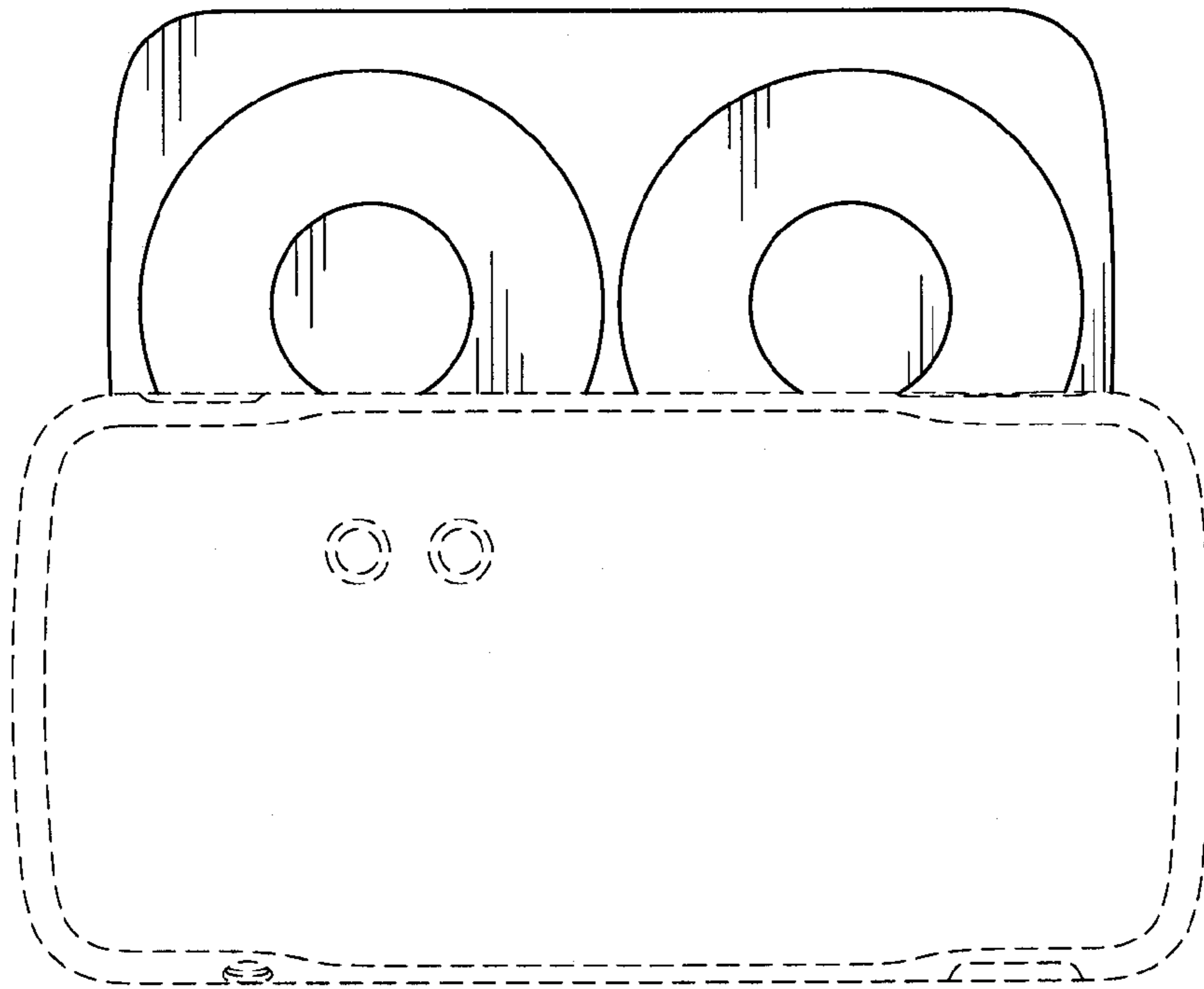


Fig. 1

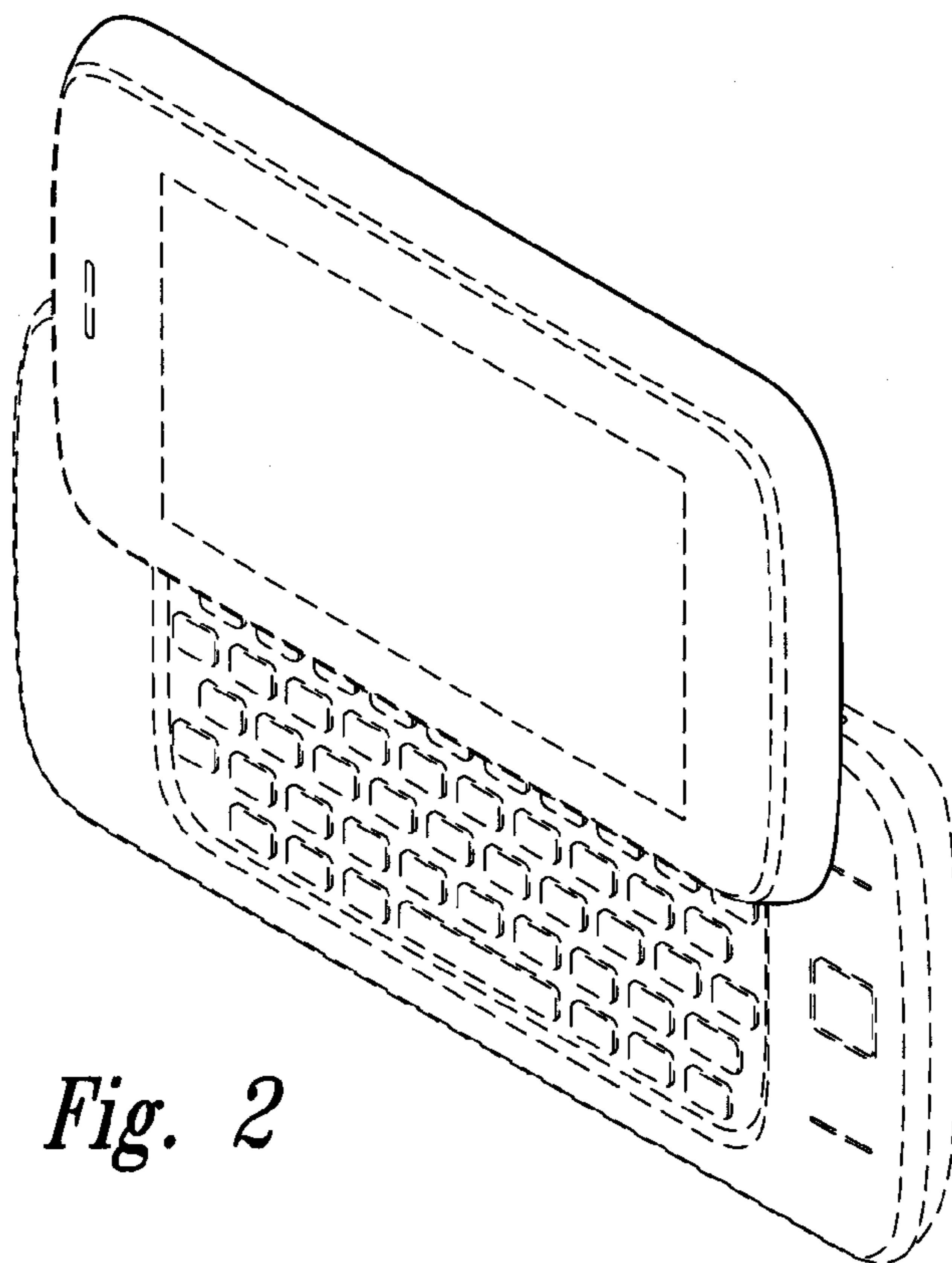


Fig. 2

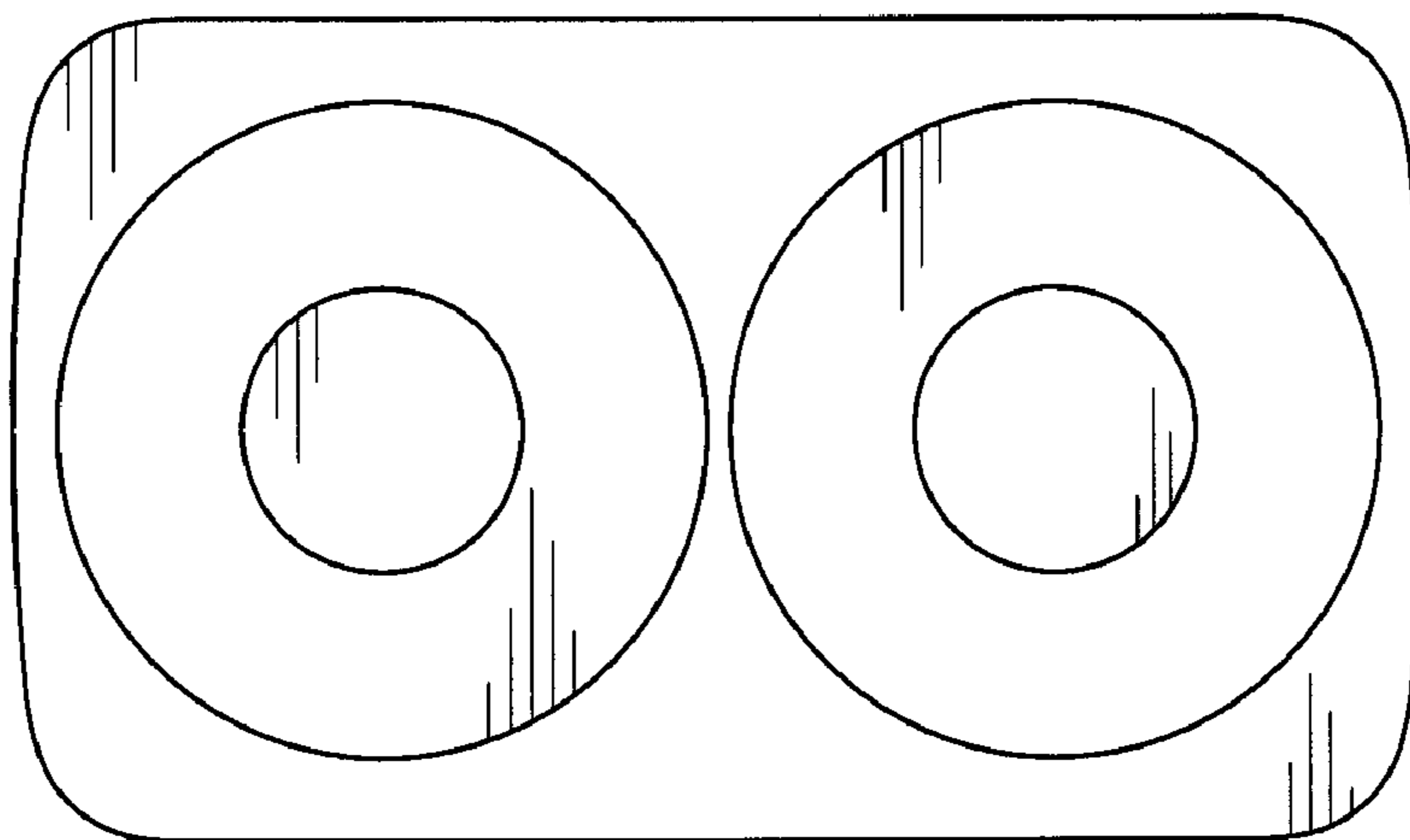


Fig. 3

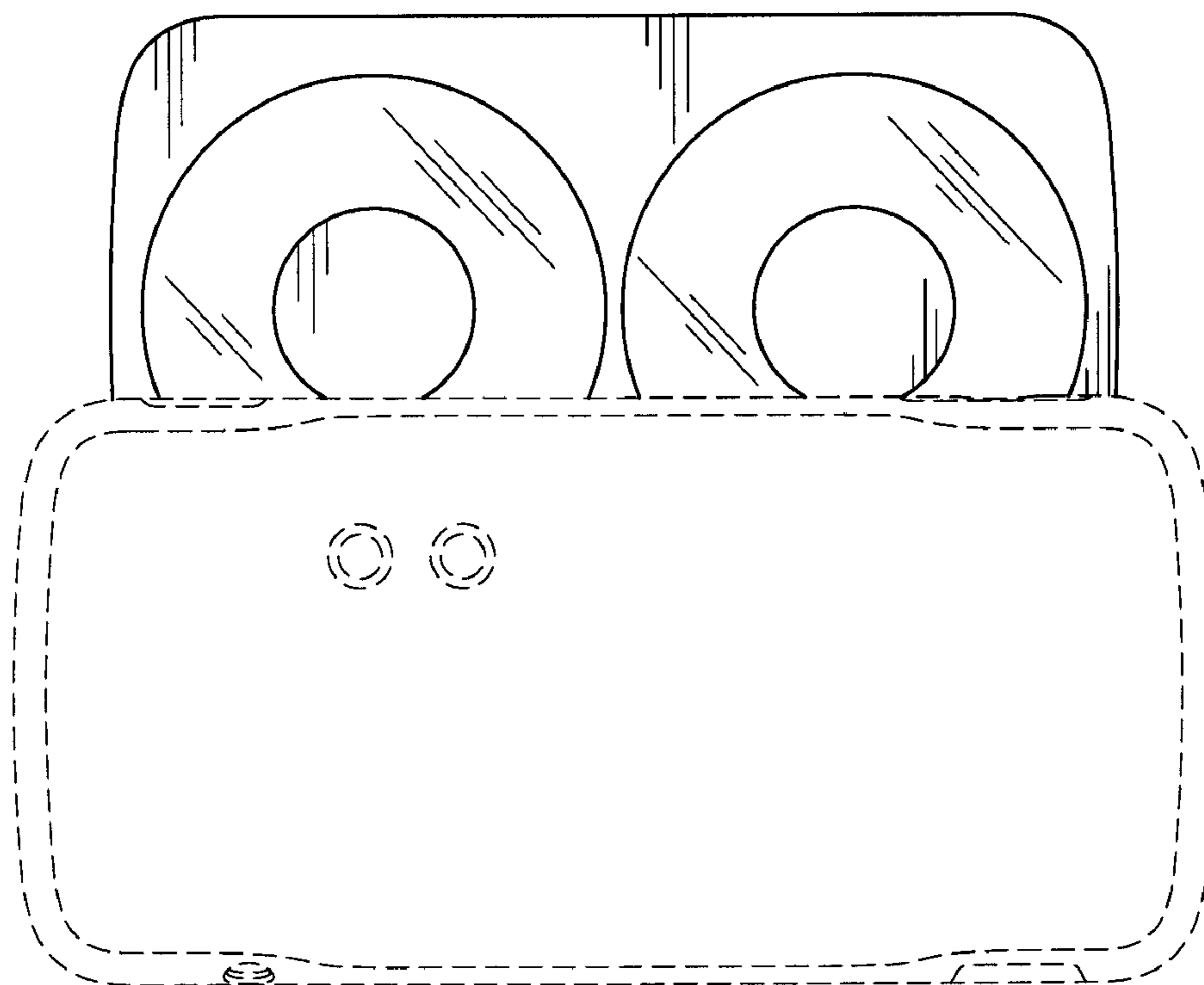


Fig. 4

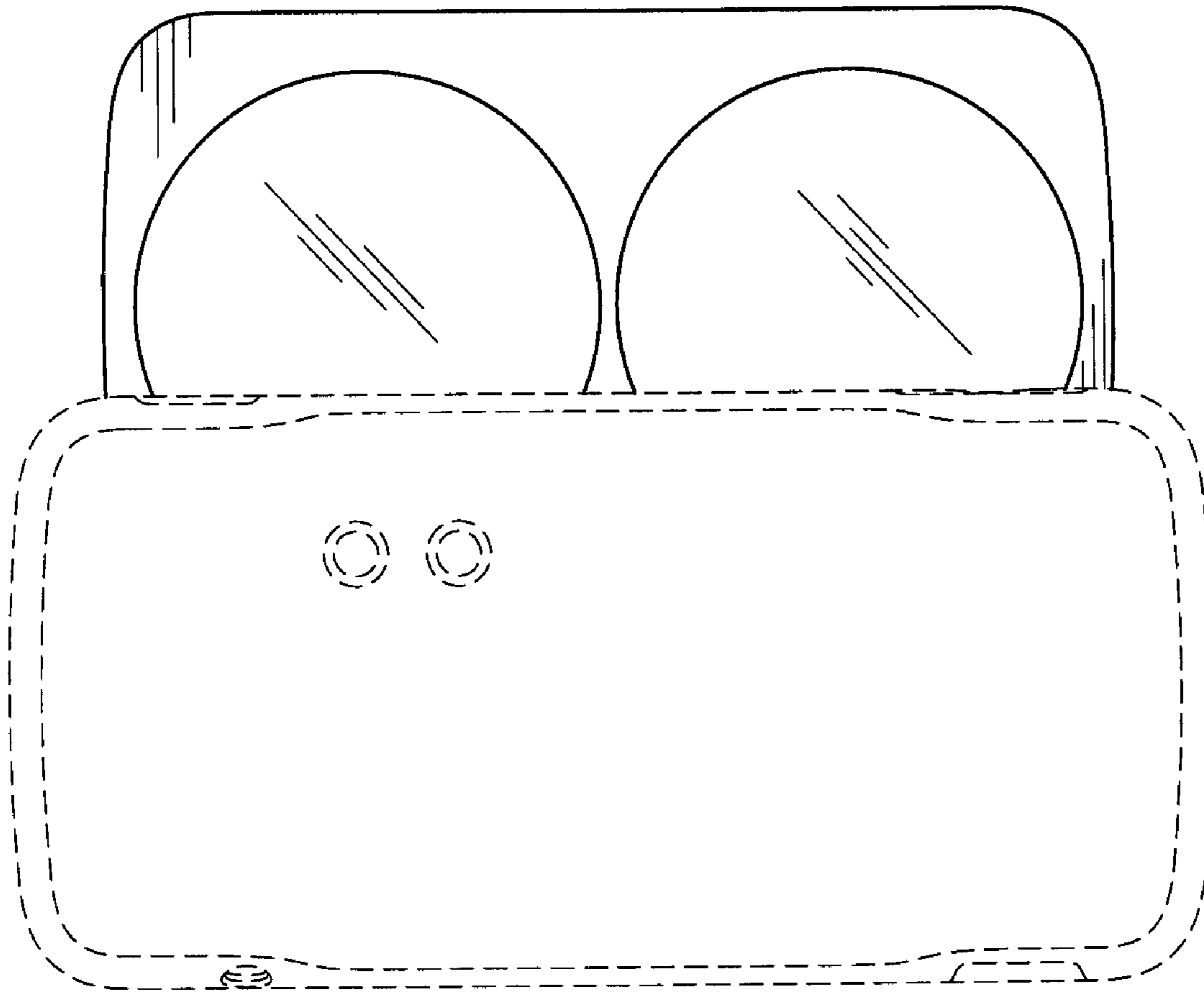


Fig. 5