



US00D640674S

(12) **United States Design Patent**  
**van Alphen**

(10) **Patent No.:** **US D640,674 S**

(45) **Date of Patent:** **\*\* Jun. 28, 2011**

(54) **THIN FIXED WALL SUPPORT APPARATUS**

(56) **References Cited**

(75) Inventor: **Folke Guido Marie van Alphen,**  
Roermond (NL)

U.S. PATENT DOCUMENTS

(73) Assignee: **Vogel's Holding B.V.,** Eindhoven (NL)

D286,495	S	*	11/1986	Blomdahl	.....	D8/373
D342,015	S	*	12/1993	Andrejew	.....	D8/373
7,086,543	B2	*	8/2006	Remmers	.....	211/94.01
7,401,705	B2	*	7/2008	Craft	.....	211/90.01
2005/0109901	A1	*	5/2005	Stitchick et al.	.....	248/235
2009/0139943	A1	*	6/2009	Fernandez	.....	211/94.01

(\*\*) Term: **14 Years**

\* cited by examiner

(21) Appl. No.: **29/382,073**

*Primary Examiner* — Raphael Barkai

(22) Filed: **Dec. 29, 2010**

*Assistant Examiner* — Randall Gholson

(51) **LOC (9) Cl.** ..... **14-03**

(74) *Attorney, Agent, or Firm* — Miller & Martin

(52) **U.S. Cl.** ..... **D14/239**

(57) **CLAIM**

The ornamental design for a thin fixed wall support apparatus, as shown and described.

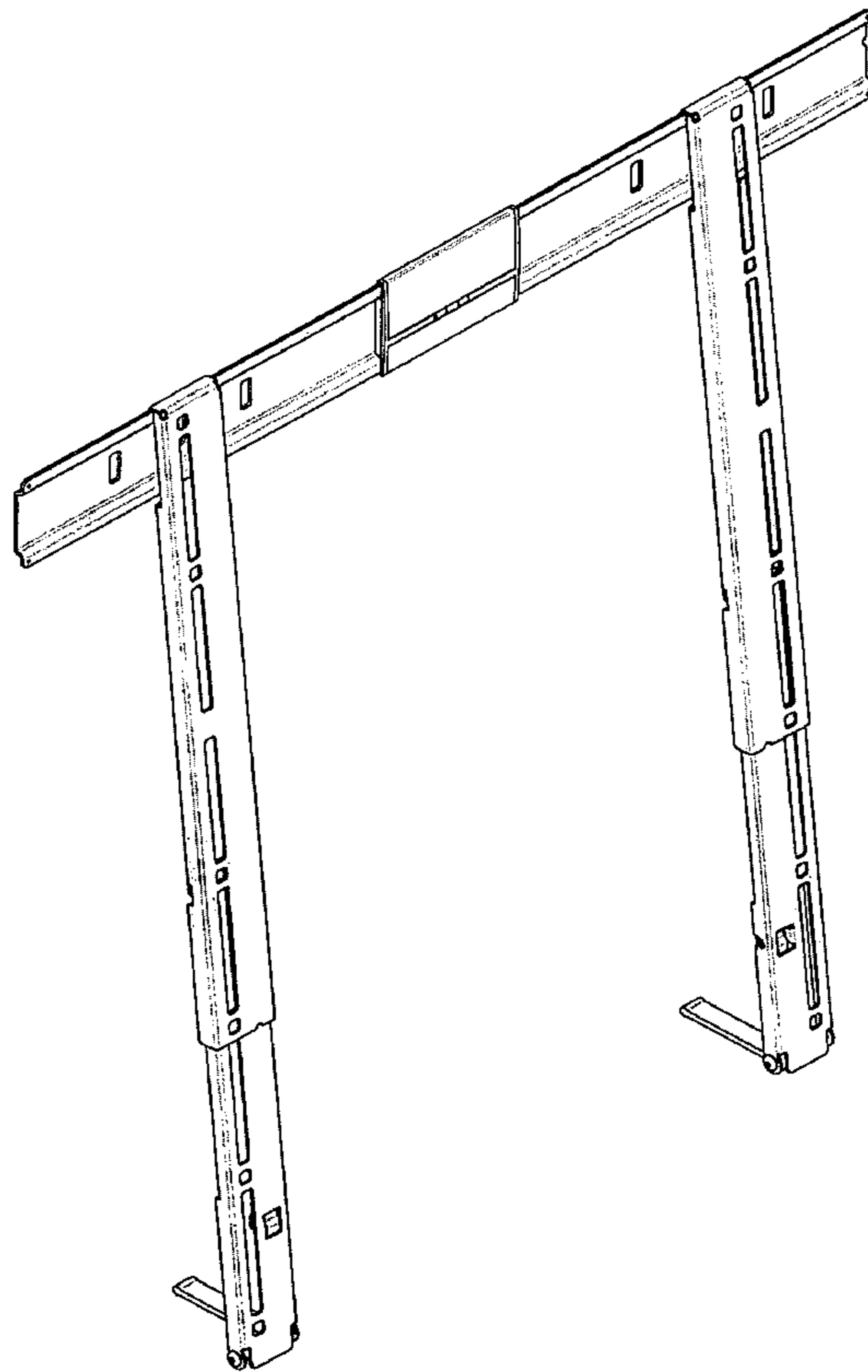
(58) **Field of Classification Search** ..... D14/125–134,  
D14/239, 371, 136, 374–377; D8/363, 373,  
D8/349, 394; 248/465, 917–924, 123.11;  
348/825, 827, 836, 837, 838, 180, 184, 325,  
348/739; 600/443; D6/477–479, 407, 474,  
D6/460, 461, 468; 312/7.2; 341/12; 345/87,  
345/104, 133, 156, 168, 169, 173; 720/605,  
720/669, 600, 655; 369/99, 197; 455/344–347;  
349/1, 2, 11, 62; 108/59, 91, 92, 96; 211/40,  
211/41.12, 42, 49.1, 50, 85.2, 90.04, 187,  
211/190, 119.003, 134.153, 87.01, 71.01

**DESCRIPTION**

FIG. 1 is a front perspective view of the thin fixed wall support apparatus;  
FIG. 2 is a reverse angle front perspective view of the apparatus shown in FIG. 1;  
FIG. 3 is a front plan view of the apparatus shown in FIG. 1;  
FIG. 4 is a rear plan view of the apparatus shown in FIG. 1;  
FIG. 5 is a left side plan view of the apparatus shown in FIG. 1, the right side view being a mirror image thereof;  
FIG. 6 is a top plan view of the apparatus shown in FIG. 1; and,  
FIG. 7 is a bottom plan view of the apparatus shown in FIG. 1.

See application file for complete search history.

**1 Claim, 7 Drawing Sheets**



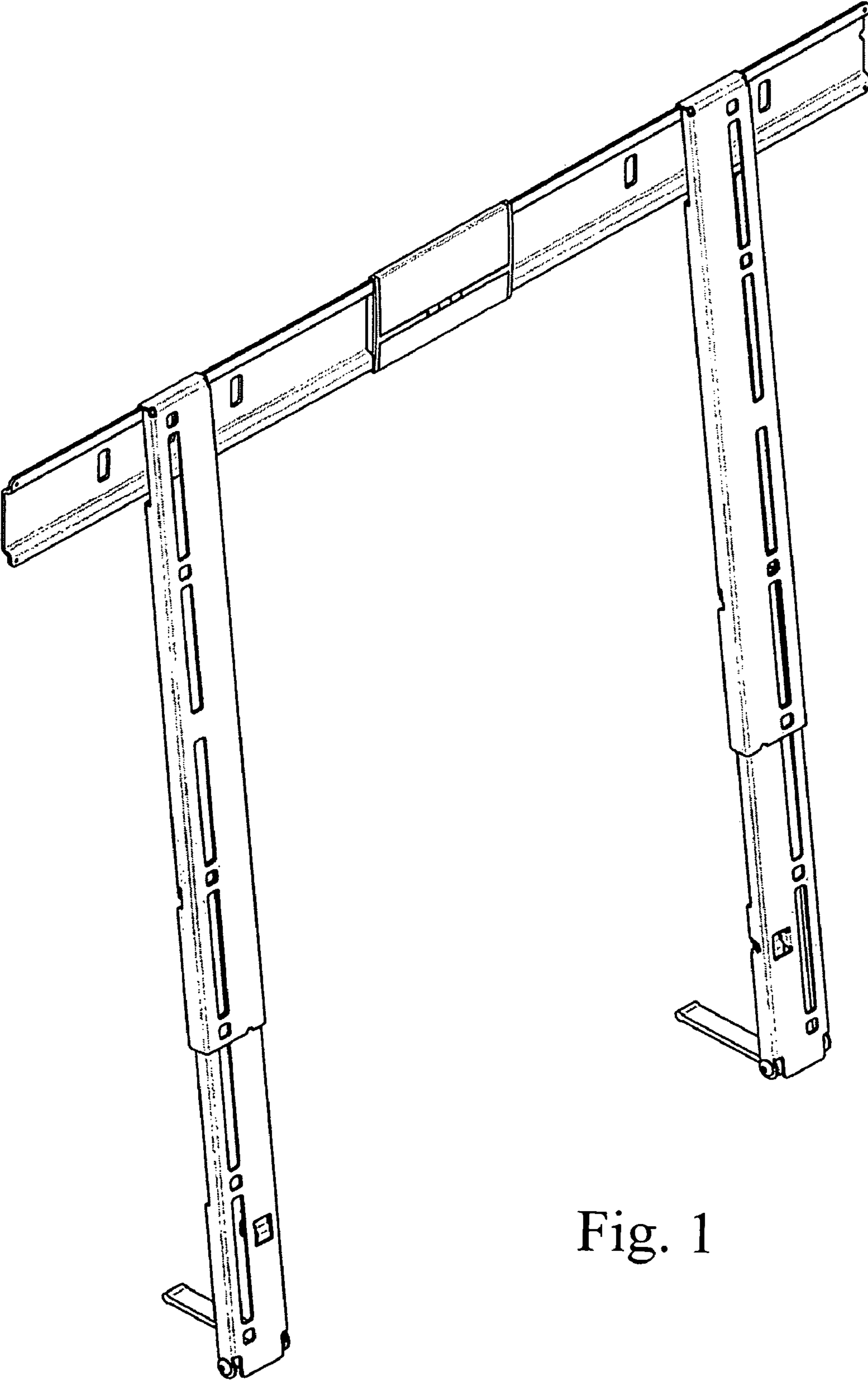


Fig. 1

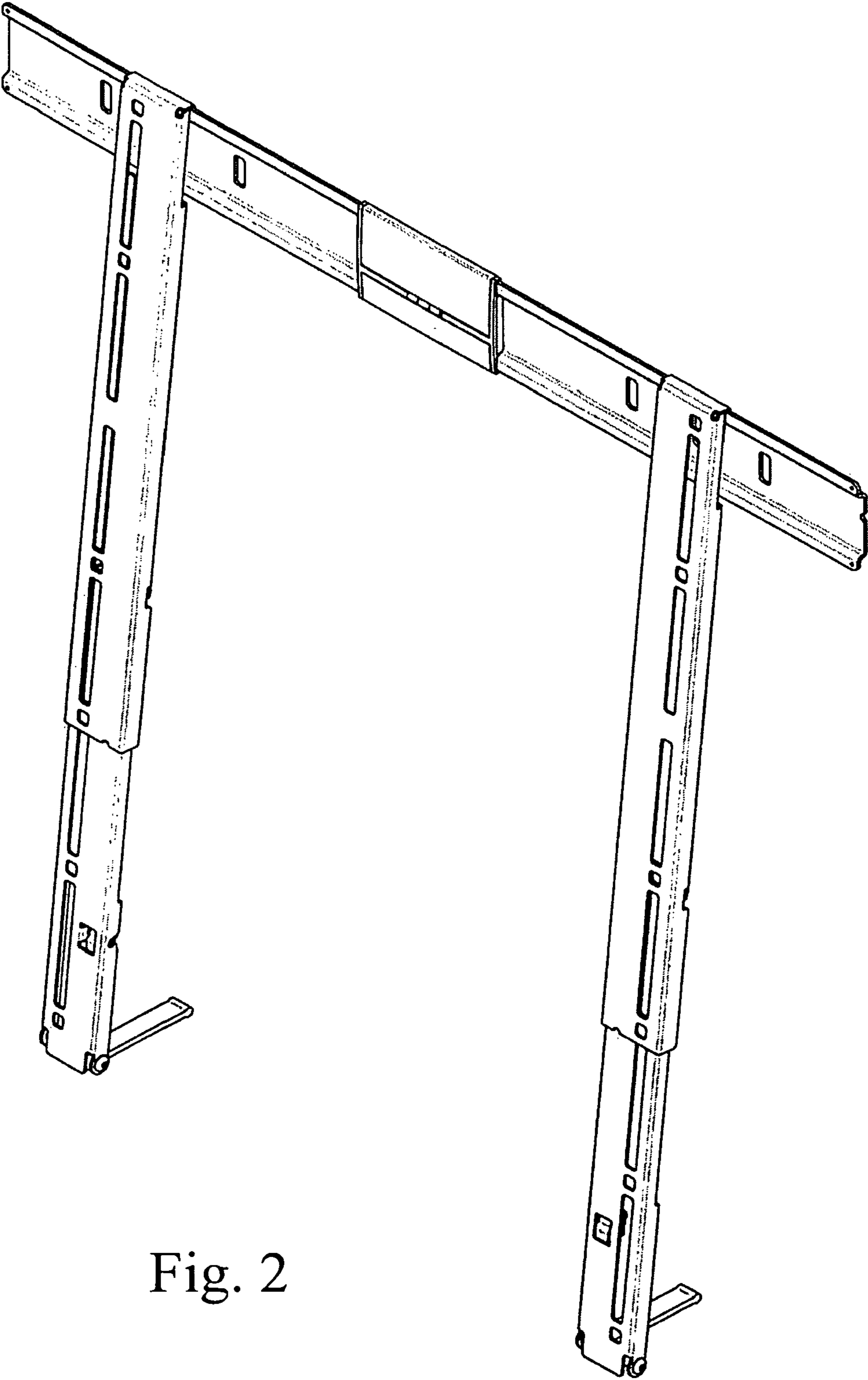


Fig. 2

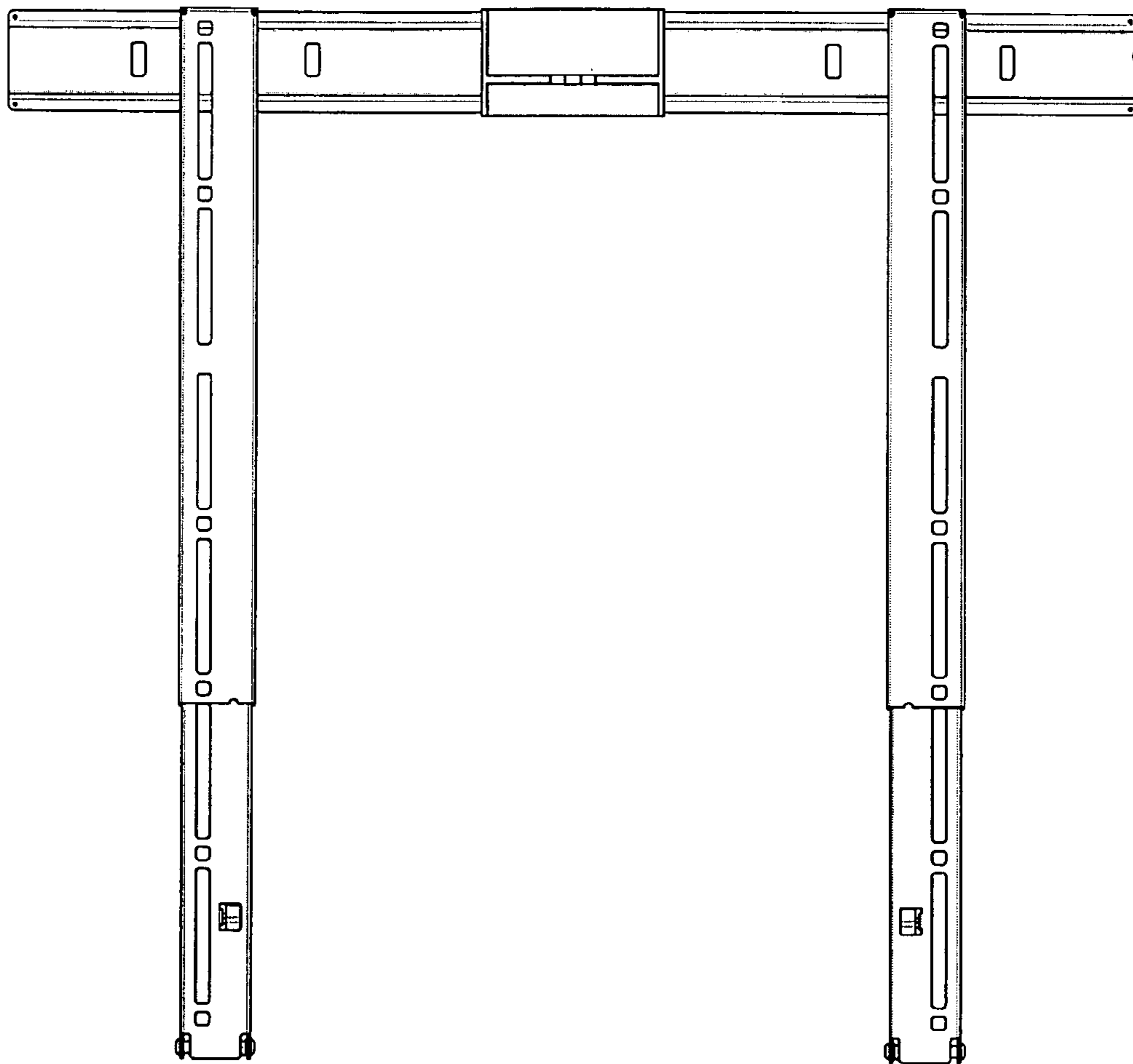


Fig. 3

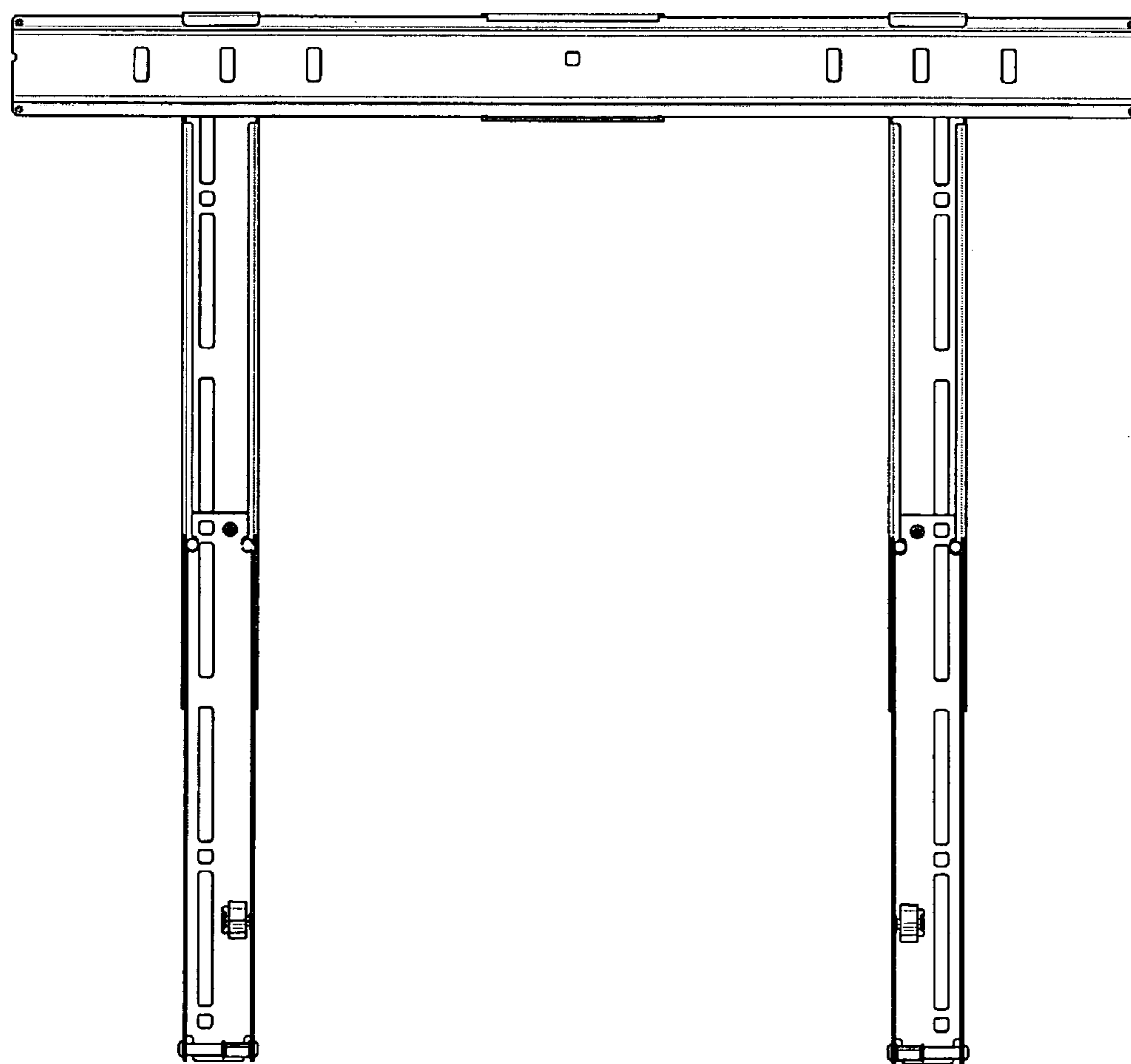


Fig. 4

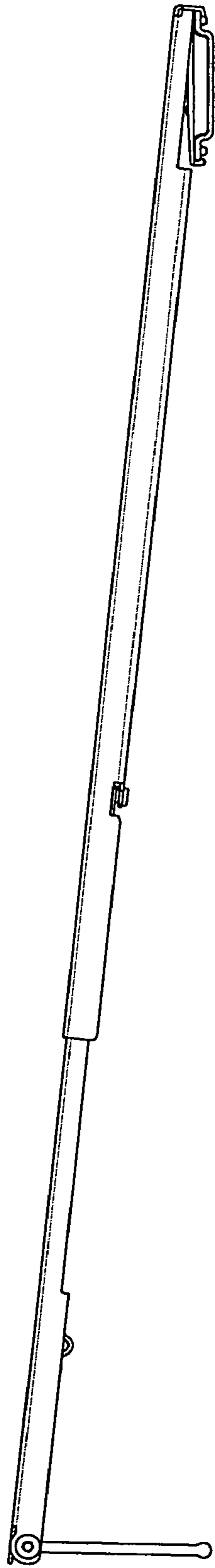


Fig. 5

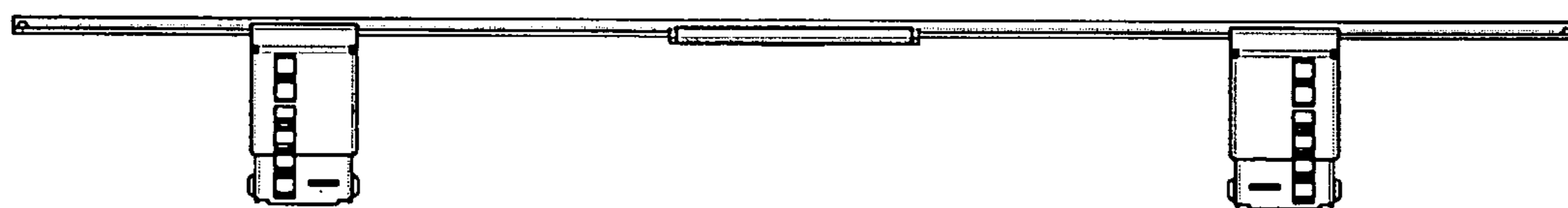


Fig. 6

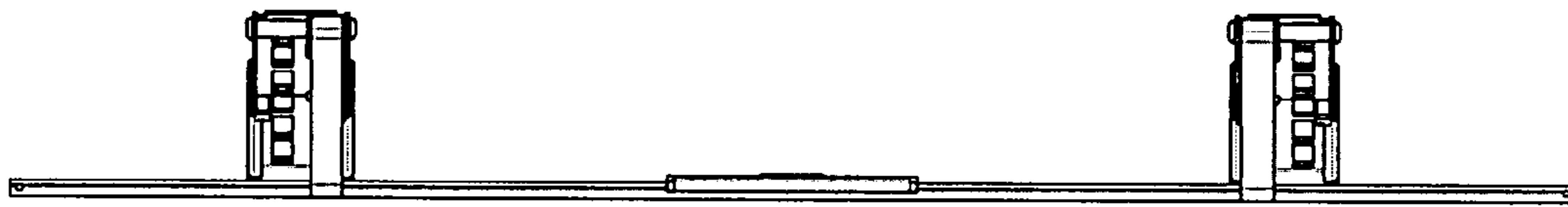


Fig. 7



UNITED STATES PATENT AND TRADEMARK OFFICE  
**CERTIFICATE OF CORRECTION**

PATENT NO. : D640,674 S  
APPLICATION NO. : 29/382073  
DATED : June 28, 2011  
INVENTOR(S) : Folke Guido Marie van Alphen

Page 1 of 1

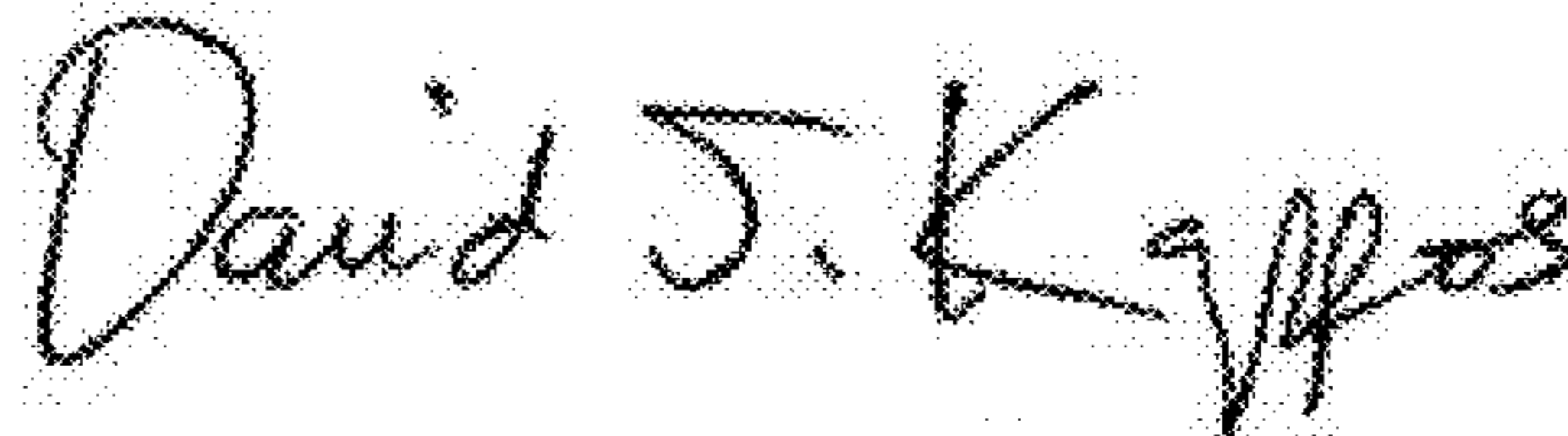
It is certified that error appears in the above-identified patent and that said Letters Patent is hereby corrected as shown below:

Title Page

Item (30) Foreign Application Priority Data should read:

European (EU) Office for Harmonization Application No. 001725888-0001, filed 06/29/2010.

Signed and Sealed this  
Eleventh Day of October, 2011

A handwritten signature in black ink that reads "David J. Kappos". The signature is written in a cursive style with a large initial 'D' and 'K'.

David J. Kappos  
*Director of the United States Patent and Trademark Office*