



US00D640670S

(12) **United States Design Patent**  
**Rye**

(10) **Patent No.:** **US D640,670 S**  
(45) **Date of Patent:** **\*\* Jun. 28, 2011**

(54) **EAR CUSHION FOR AN AUDIO DEVICE**

(75) Inventor: **Ryan P Rye, Duluth, GA (US)**

(73) Assignee: **Motorola Mobility, Inc., Libertyville, IL (US)**

(\*\*) Term: **14 Years**

(21) Appl. No.: **29/352,850**

(22) Filed: **Dec. 29, 2009**

(51) **LOC (9) Cl.** ..... **14-01**

(52) **U.S. Cl.** ..... **D14/223**

(58) **Field of Classification Search** ..... D14/205,  
D14/206, 223, 188, 192; 181/129, 130, 135,  
181/132; 379/430, 431; 381/380, 381, 328,  
381/322; 455/90.3, 575.1, 569.1; D24/174  
See application file for complete search history.

(56) **References Cited**

**U.S. PATENT DOCUMENTS**

333,724	A *	1/1886	Blodgett	.....	181/130
2,325,590	A *	7/1943	Carlisle et al.	.....	381/328
2,377,739	A *	6/1945	Wyckoff	.....	181/132
D176,810	S *	1/1956	Norris	.....	D14/192
D177,346	S *	4/1956	Norris	.....	D14/192
3,047,089	A *	7/1962	Zwislocki	.....	181/135
D221,442	S *	8/1971	Feingold	.....	D24/174
D266,590	S *	10/1982	Bennett	.....	D24/174
4,407,389	A *	10/1983	Johnson	.....	181/135
D366,590	S *	1/1996	Reddick	.....	D7/348
D388,093	S *	12/1997	Frengley	.....	D14/223
D399,001	S *	9/1998	Yabe et al.	.....	D24/174
D469,755	S *	2/2003	Hlas et al.	.....	D14/223
D470,122	S *	2/2003	Hlas et al.	.....	D14/205
D470,123	S *	2/2003	Hlas et al.	.....	D14/205
D470,128	S *	2/2003	Hlas et al.	.....	D14/223
D478,991	S *	8/2003	Dyer et al.	.....	D24/174
6,690,807	B1 *	2/2004	Meyer	.....	381/327
6,879,697	B2 *	4/2005	Tøpholm	.....	381/322
D529,901	S *	10/2006	Ohta	.....	D14/223
D538,271	S *	3/2007	Kim et al.	.....	D14/223

7,340,221	B2 *	3/2008	Wikel et al.	.....	455/90.3
D566,694	S *	4/2008	Kim et al.	.....	D14/223
D573,137	S *	7/2008	Polito	.....	D14/223
D580,910	S *	11/2008	Kim et al.	.....	D14/205
D581,396	S *	11/2008	Wikel et al.	.....	D14/206
D584,285	S *	1/2009	Xu et al.	.....	D14/206
D586,791	S *	2/2009	Birger et al.	.....	D14/223
D604,273	S *	11/2009	Tamura et al.	.....	D14/223
D622,265	S *	8/2010	Rye	.....	D14/223

**OTHER PUBLICATIONS**

U.S. Appl. No. 29/341,897, filed Aug. 14, 2009, in the name of Ryan P. Rye, entitled "Ear Cushion for an Audio Device".  
Pictures of an Ear Cushion that shipped with the Motorola H15 headset in Sep. 2008.

\* cited by examiner

*Primary Examiner* — Paula Greene

(57) **CLAIM**

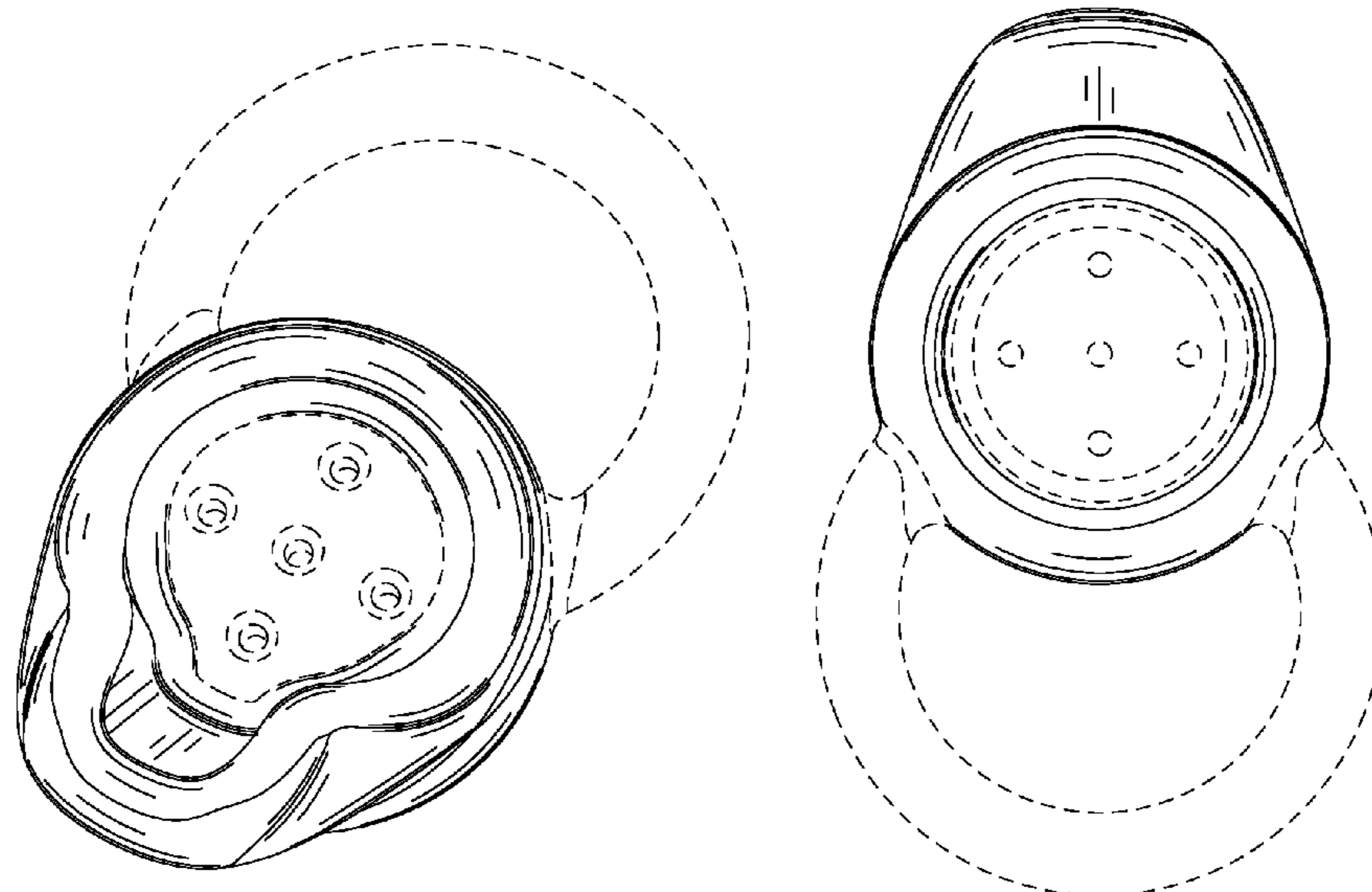
The ornamental design for a ear cushion for an audio device, as shown and described.

**DESCRIPTION**

FIG. 1 is a front perspective view of an ear cushion for an audio device showing my new design;  
FIG. 2 is a rear perspective view thereof;  
FIG. 3 is a front view thereof;  
FIG. 4 is a rear view thereof;  
FIG. 5 is a first side view thereof;  
FIG. 6 is a second side view thereof;  
FIG. 7 is a top view thereof; and,  
FIG. 8 is a bottom view thereof.

The broken lines shown in FIGS. 1-8, that are immediately adjacent to the shaded areas, and define unshaded regions, represent the bounds of the first embodiment, while all other broken lines are directed to environment and are for illustrative purposes only; the broken lines form no part of the first embodiment.

**1 Claim, 5 Drawing Sheets**



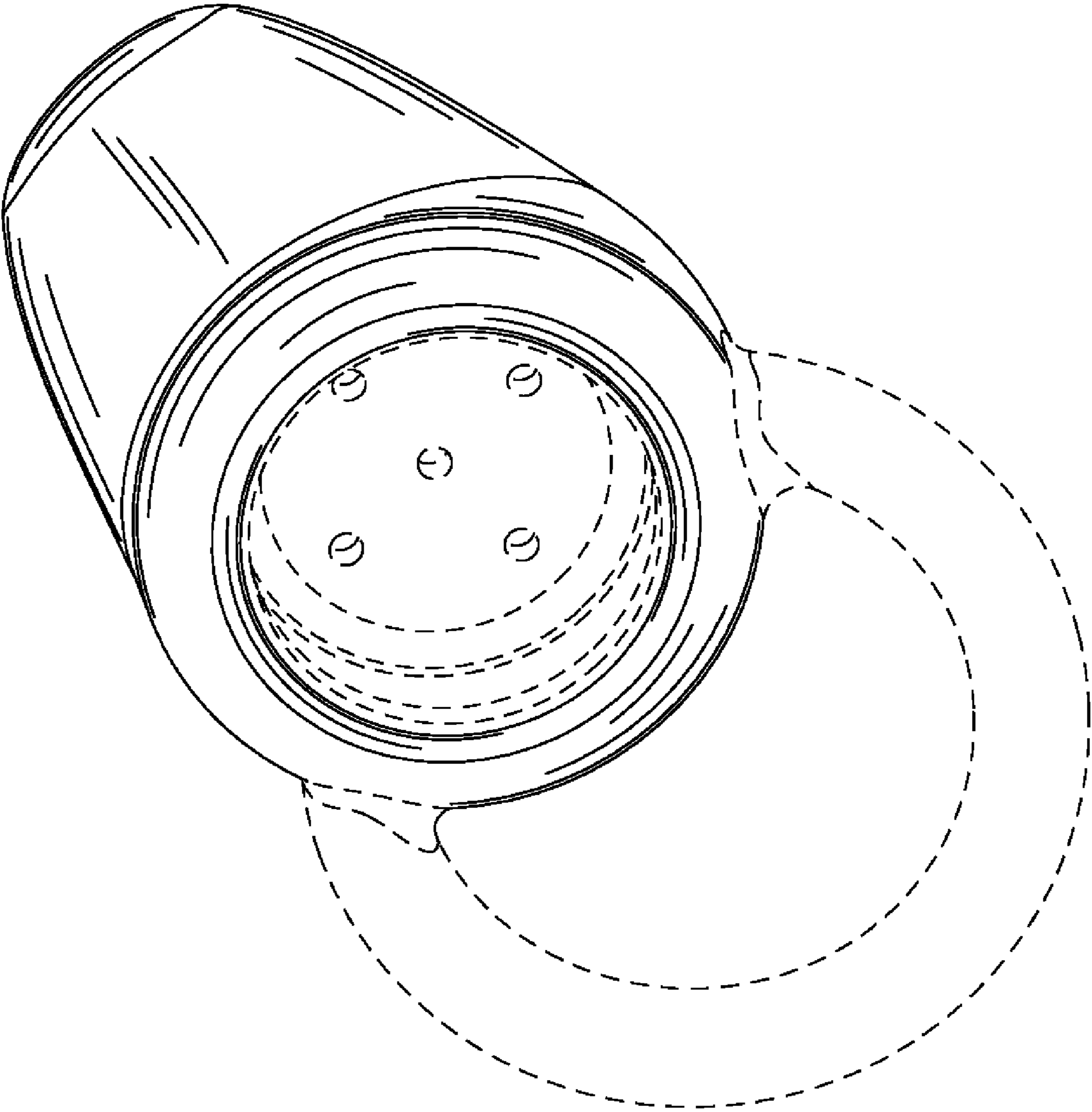


FIG. 1

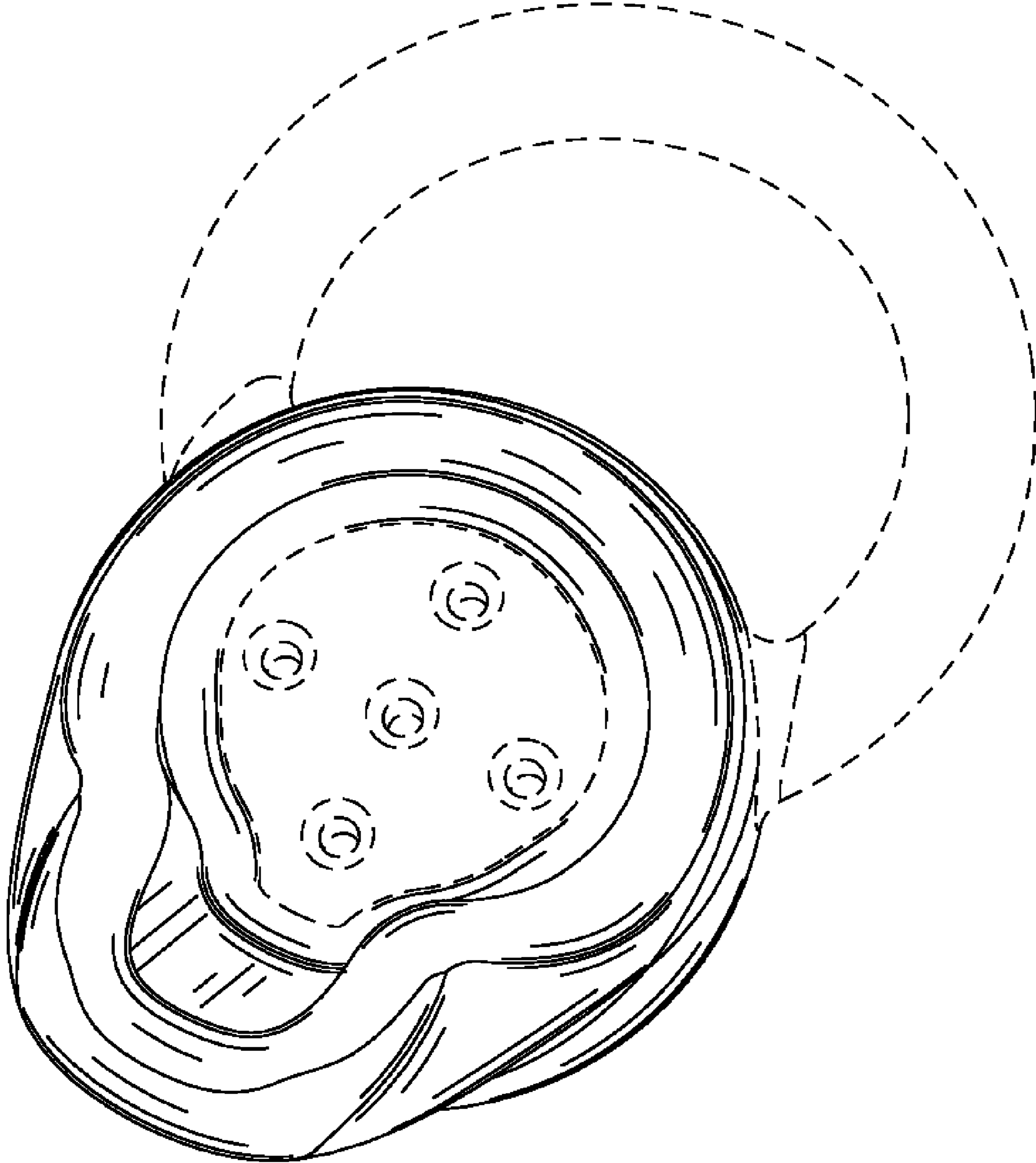


FIG. 2

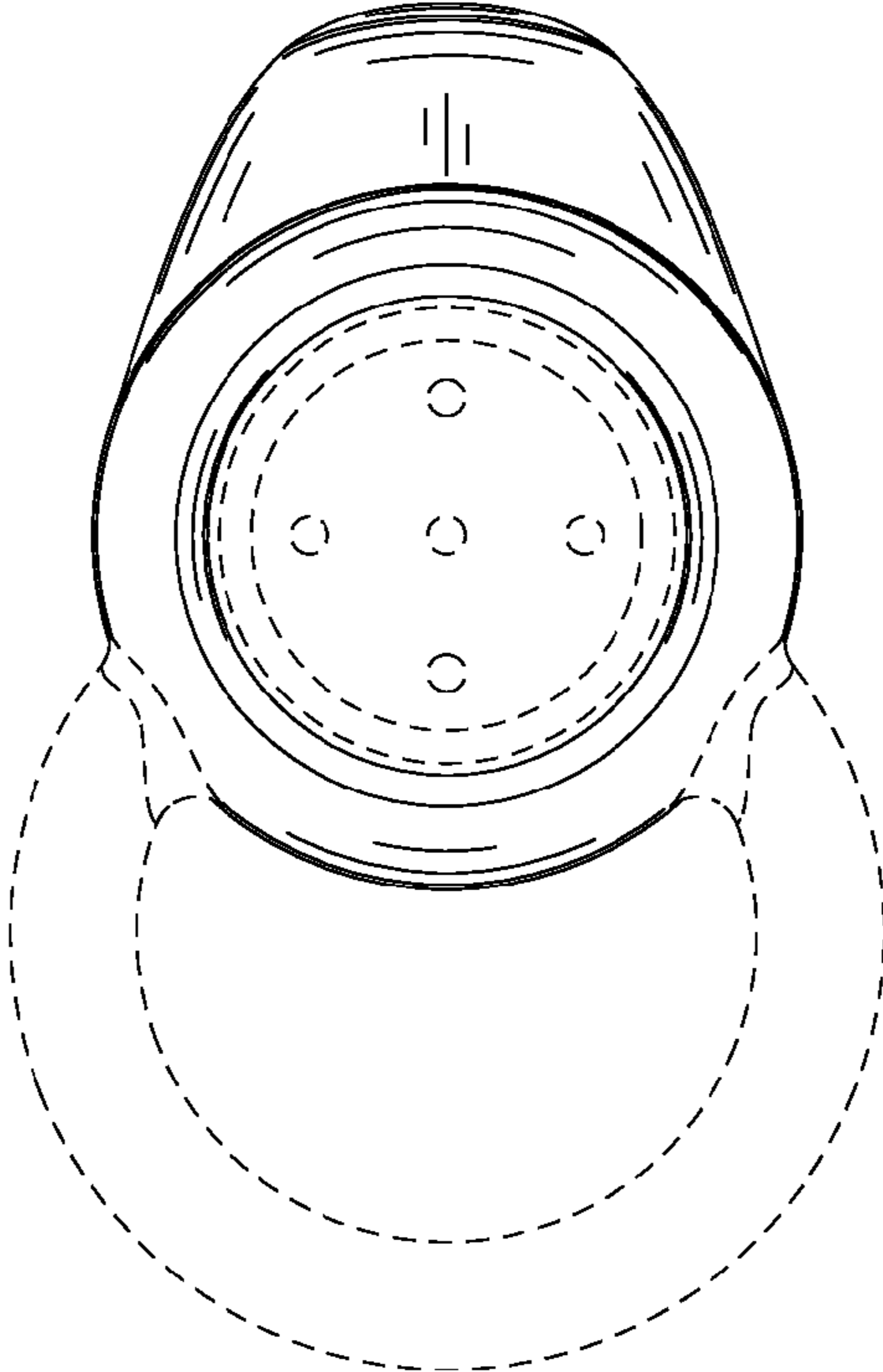


FIG. 3

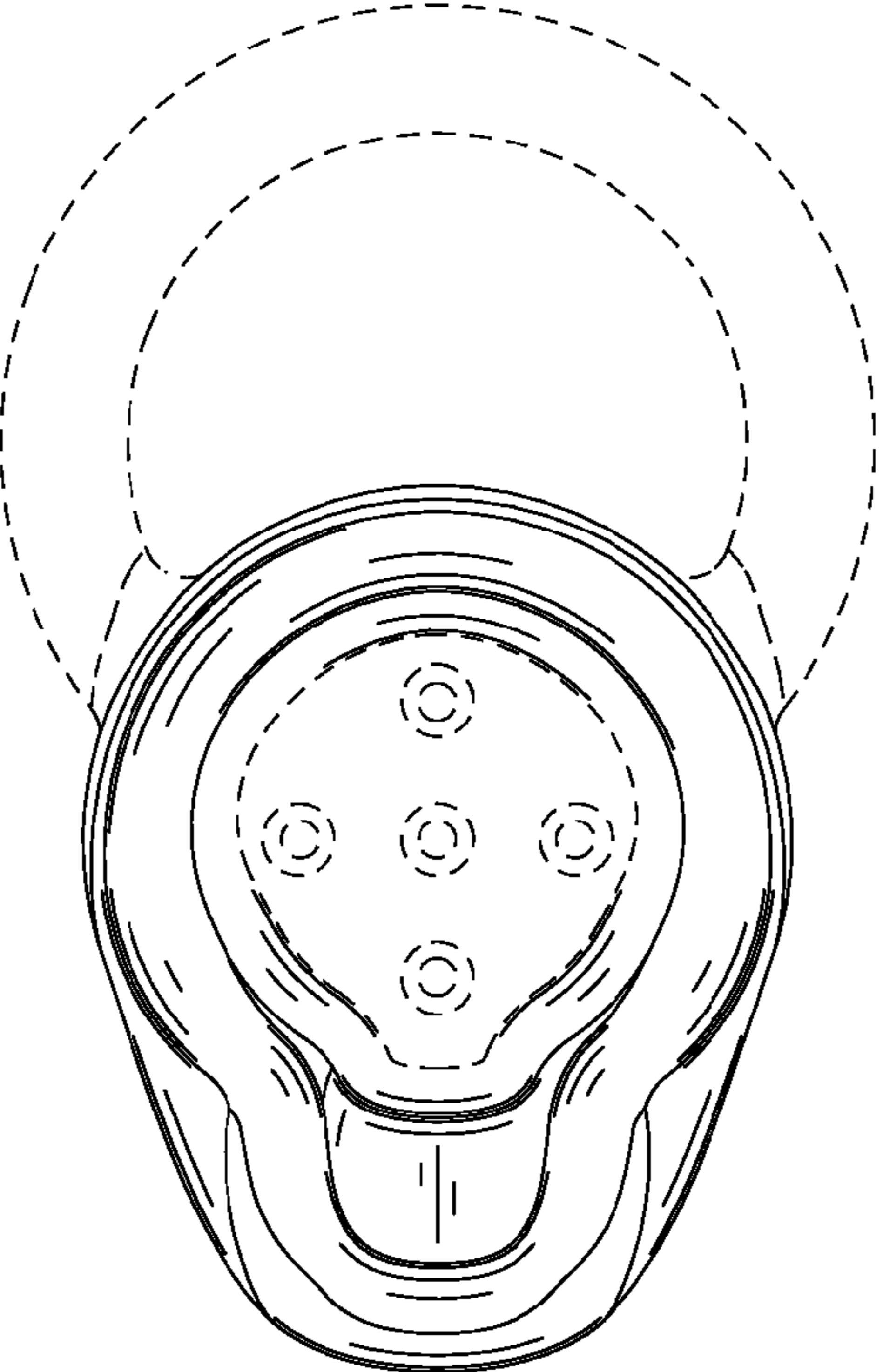


FIG. 4

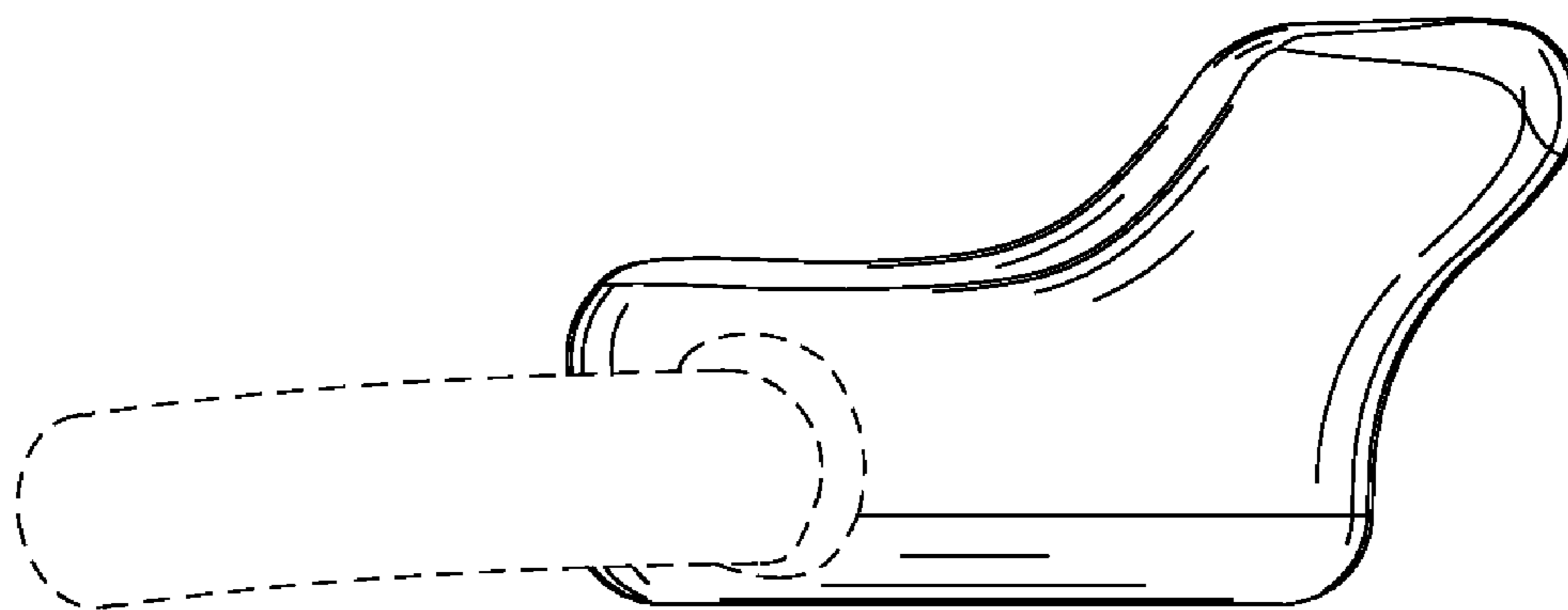


FIG. 5

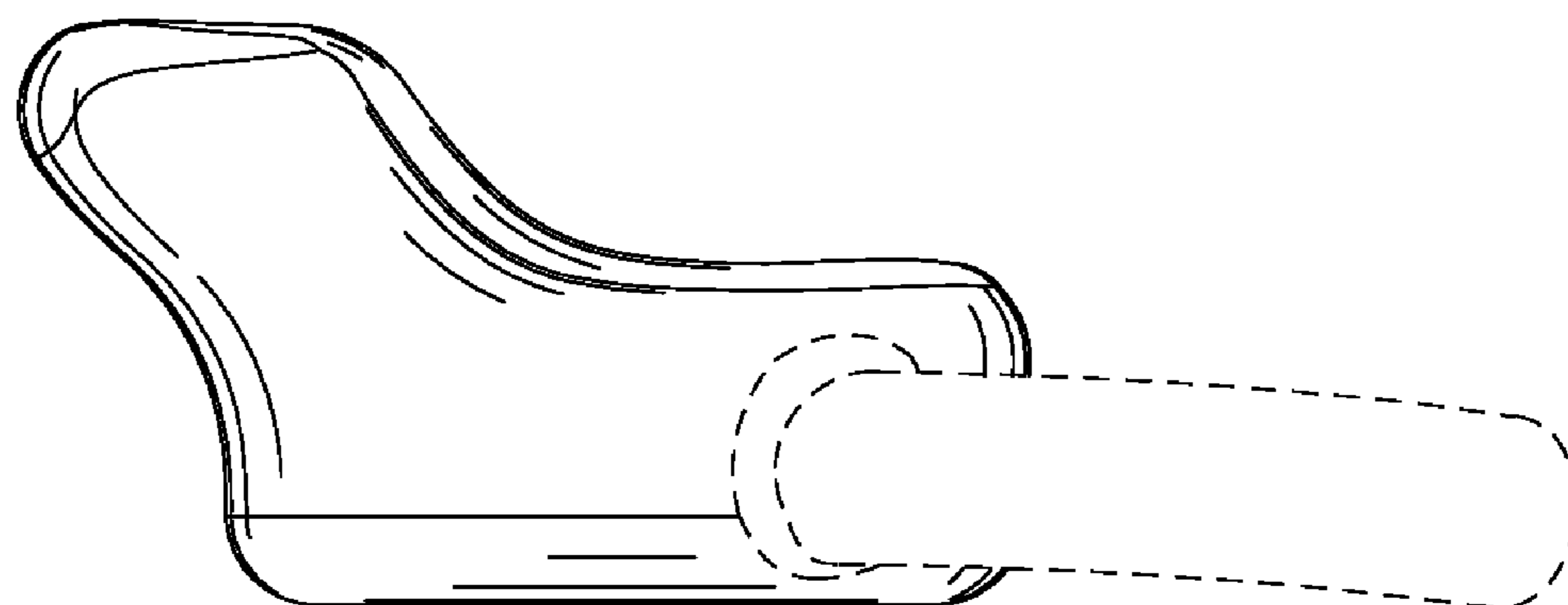


FIG. 6

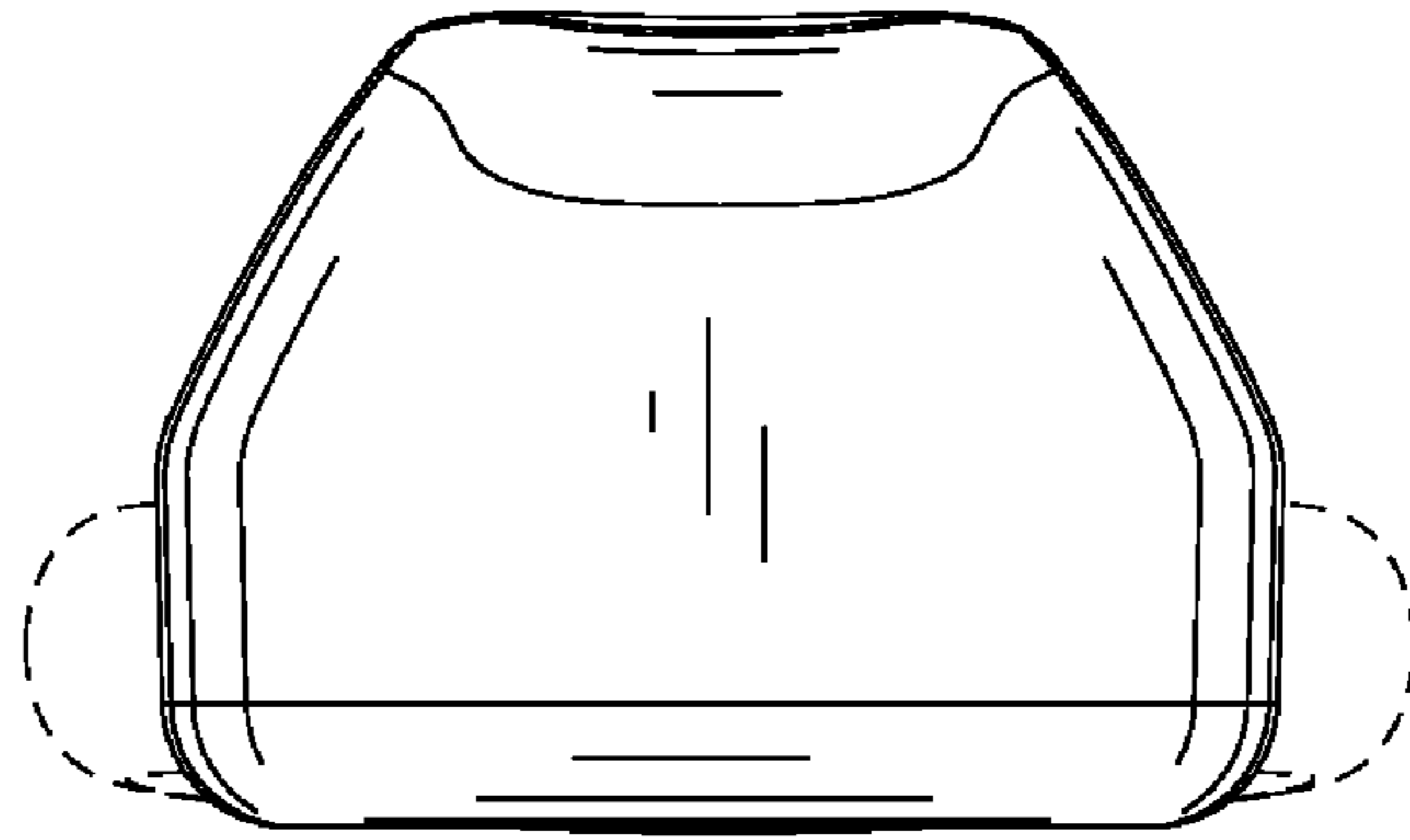


FIG. 7

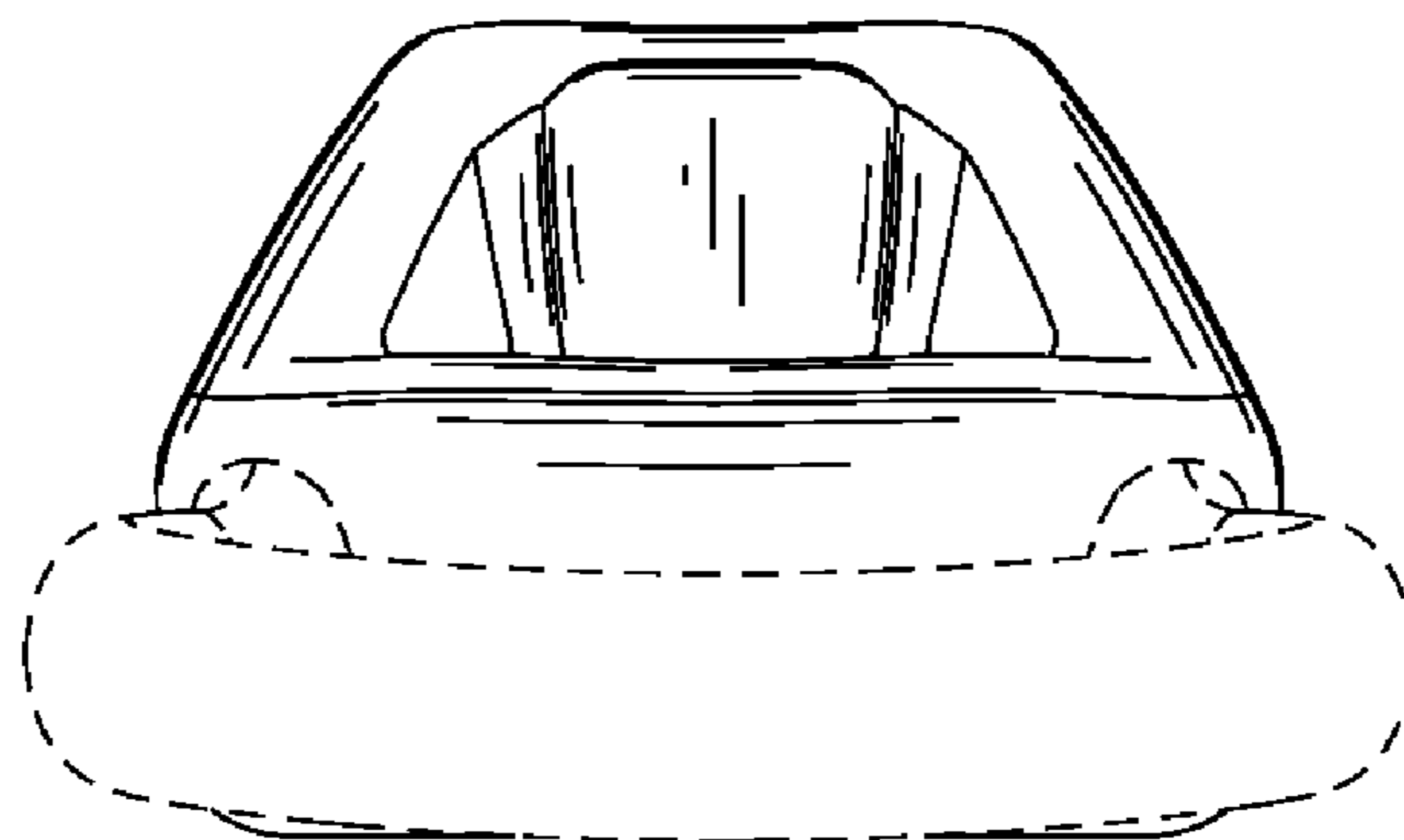


FIG. 8