



US00D640665S

(12) **United States Design Patent**
Fahrendorff et al.

(10) **Patent No.:** **US D640,665 S**

(45) **Date of Patent:** **** Jun. 28, 2011**

- (54) **COMMUNICATION ENDPOINT**
- (75) Inventors: **Anders Fahrendorff**, Ottawa (CA);
Jodie Fletcher, Ottawa (CA)
- (73) Assignee: **Mitel Networks Corporation**, Ottawa,
Ontario (CA)
- (**) Term: **14 Years**
- (21) Appl. No.: **29/312,159**
- (22) Filed: **Oct. 1, 2008**
- (51) **LOC (9) Cl.** **14-03**
- (52) **U.S. Cl.** **D14/150**
- (58) **Field of Classification Search** D14/144,
D14/150, 151; D10/120; D24/112; 320/110,
320/113, 114, 115; 348/14.01, 14.02, 14.03,
348/14.04, 14.05, 14.06
See application file for complete search history.

- D306,727 S * 3/1990 Fritzsche D14/150
- D364,865 S * 12/1995 Engelke et al. D14/144
- D369,804 S * 5/1996 Zeitman D14/150
- D369,858 S * 5/1996 Baker et al. D24/112
- D403,322 S * 12/1998 Umezu et al. D14/150
- D557,249 S * 12/2007 Weidinger D14/151

* cited by examiner

Primary Examiner — Susan Bennett Hattan

Assistant Examiner — Barbara Lohr

(57) **CLAIM**

The ornamental design for a communication endpoint, as shown and described.

DESCRIPTION

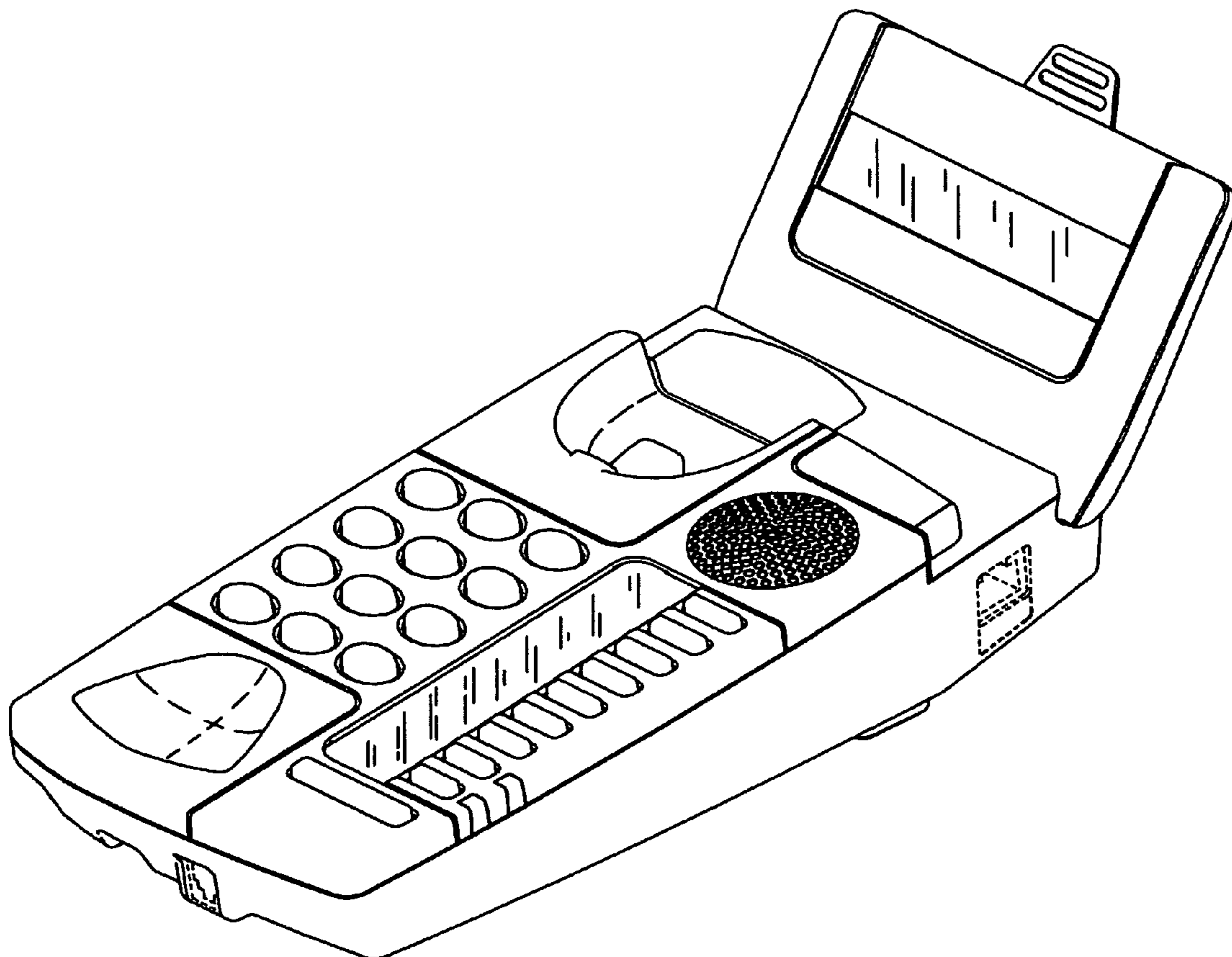
FIG. 1 is a top, front, and right side perspective view of a communication endpoint showing our new design;
 FIG. 2 is a top view of FIG. 1 thereof;
 FIG. 3 is a left side view of FIG. 1 thereof;
 FIG. 4 is a right side view of FIG. 1 thereof;
 FIG. 5 is a front view of FIG. 1 thereof;
 FIG. 6 is a back view of FIG. 1 thereof; and,
 FIG. 7 is a bottom view of FIG. 1 thereof.
 The broken lines throughout the views are for illustrative purposes only and form no part of the claimed design.

(56) **References Cited**

U.S. PATENT DOCUMENTS

- D276,599 S * 12/1984 Segan et al. D10/120
- D295,744 S * 5/1988 Reichenstein D14/150
- D304,564 S * 11/1989 Kido et al. D14/151
- D306,587 S * 3/1990 Ando D14/151

1 Claim, 7 Drawing Sheets



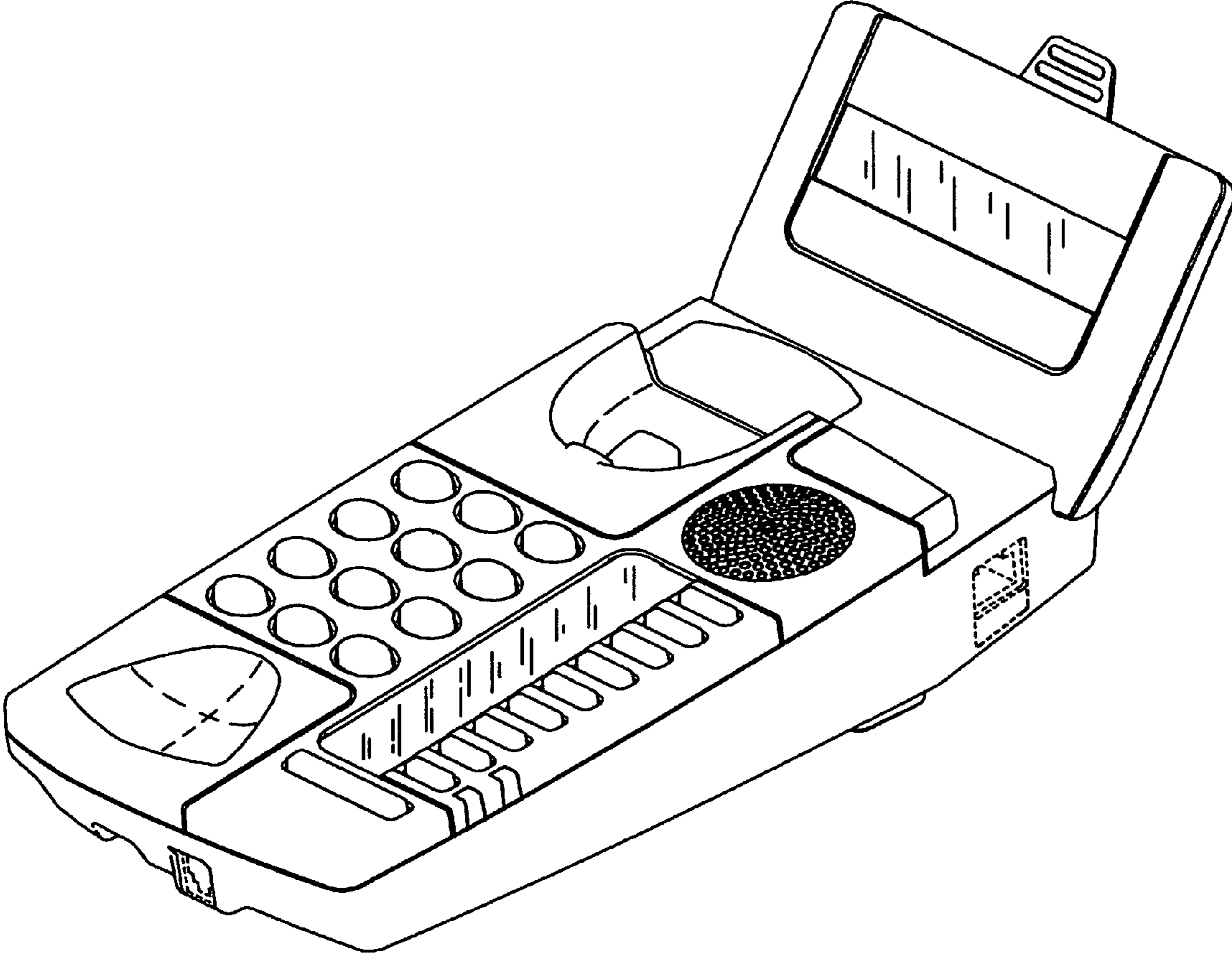


FIG. 1

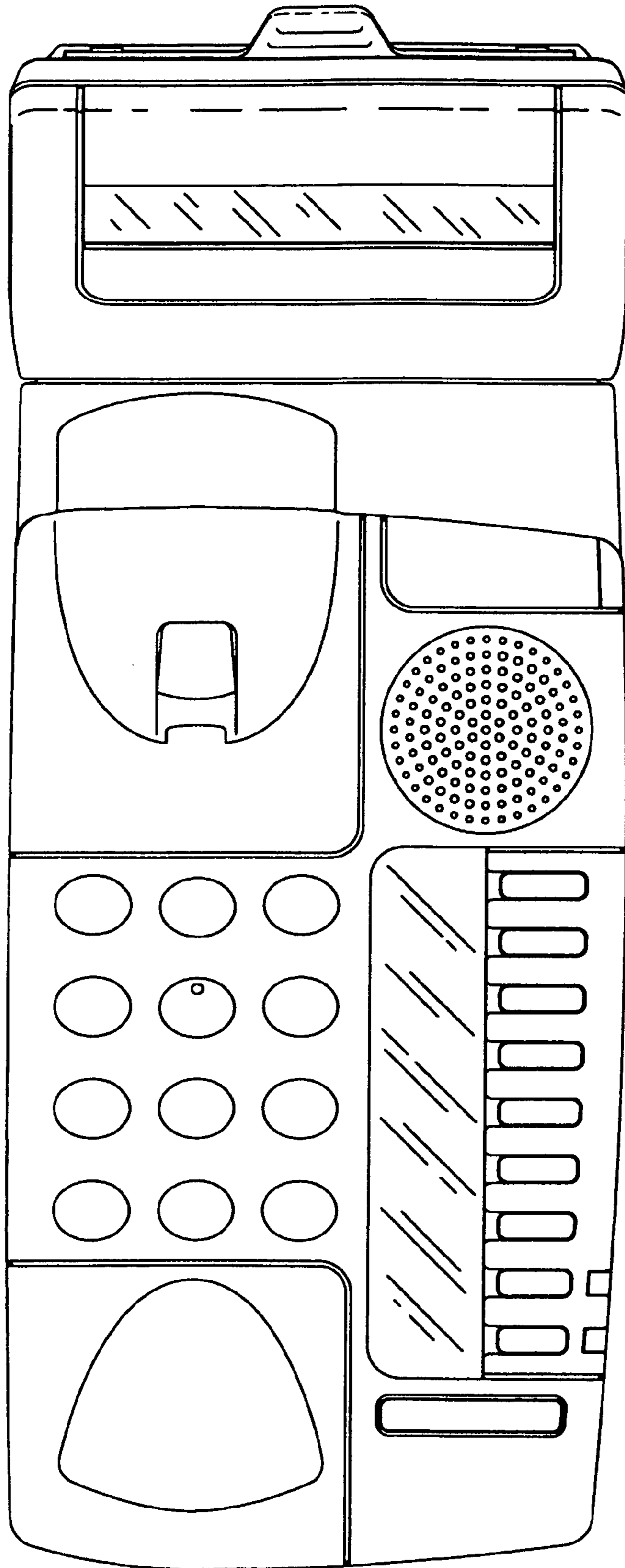


FIG. 2

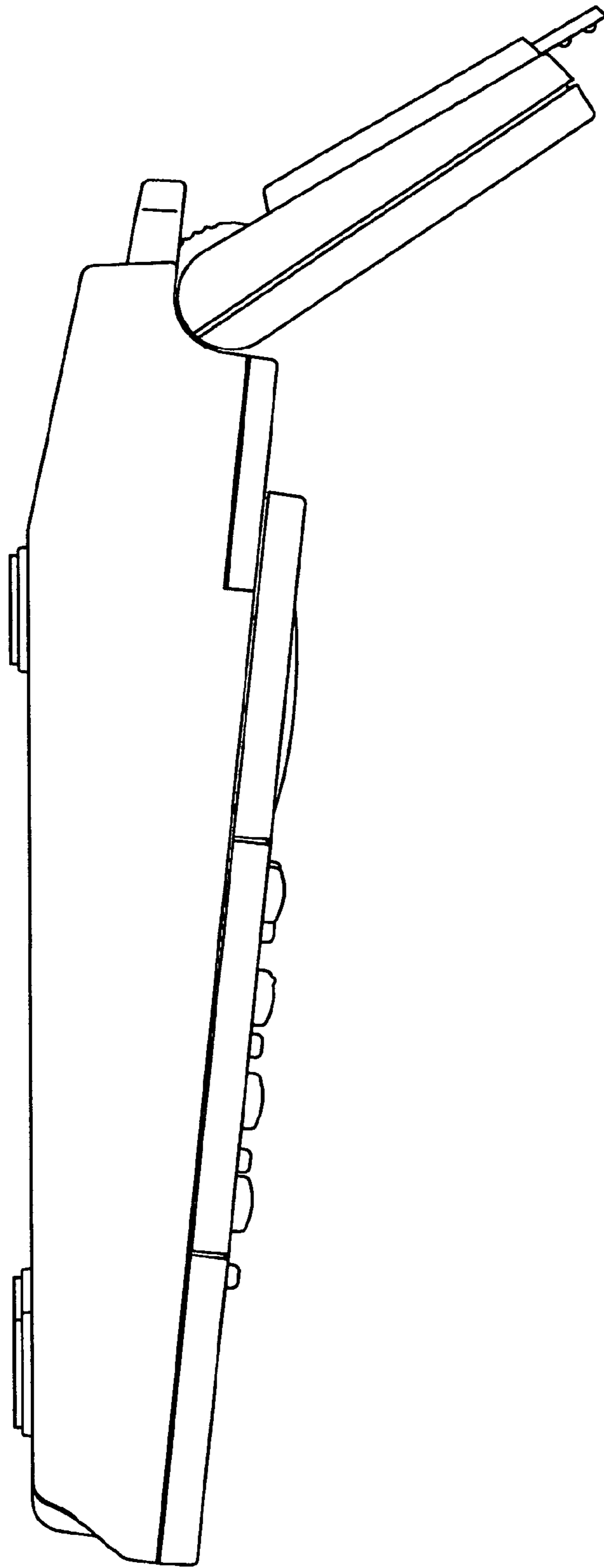


FIG. 3

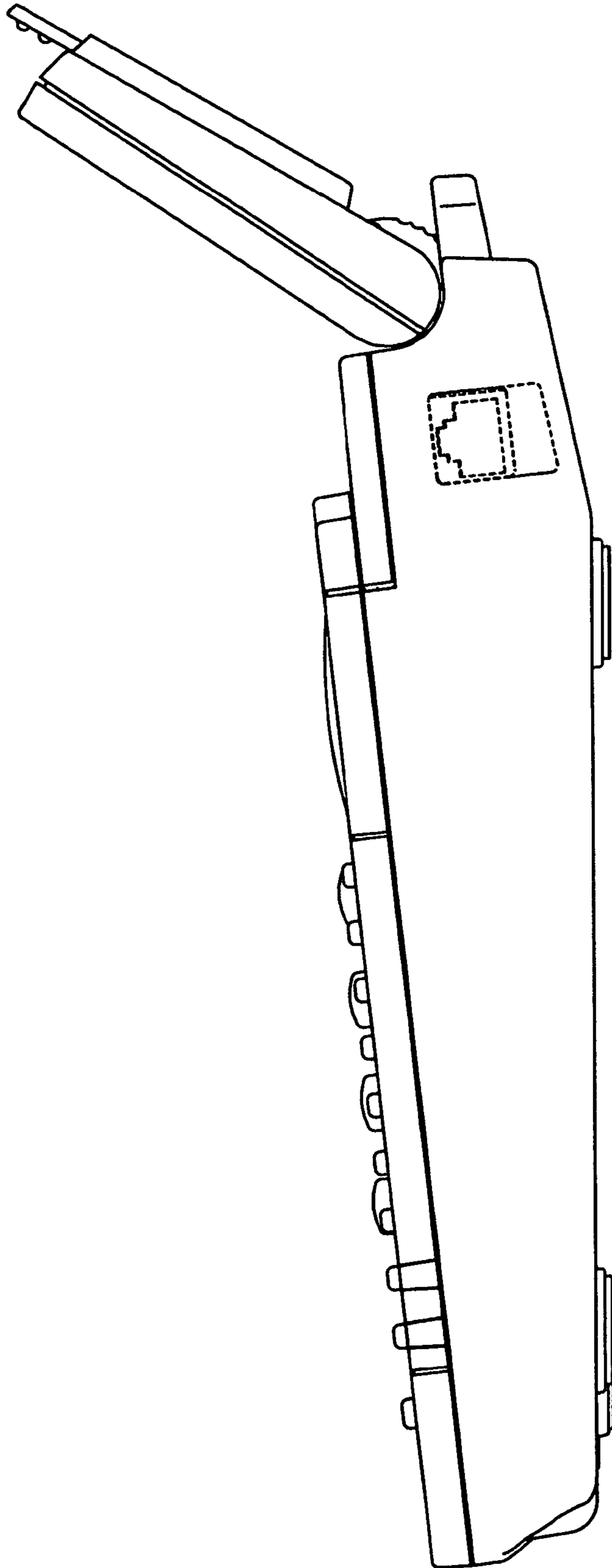


FIG. 4

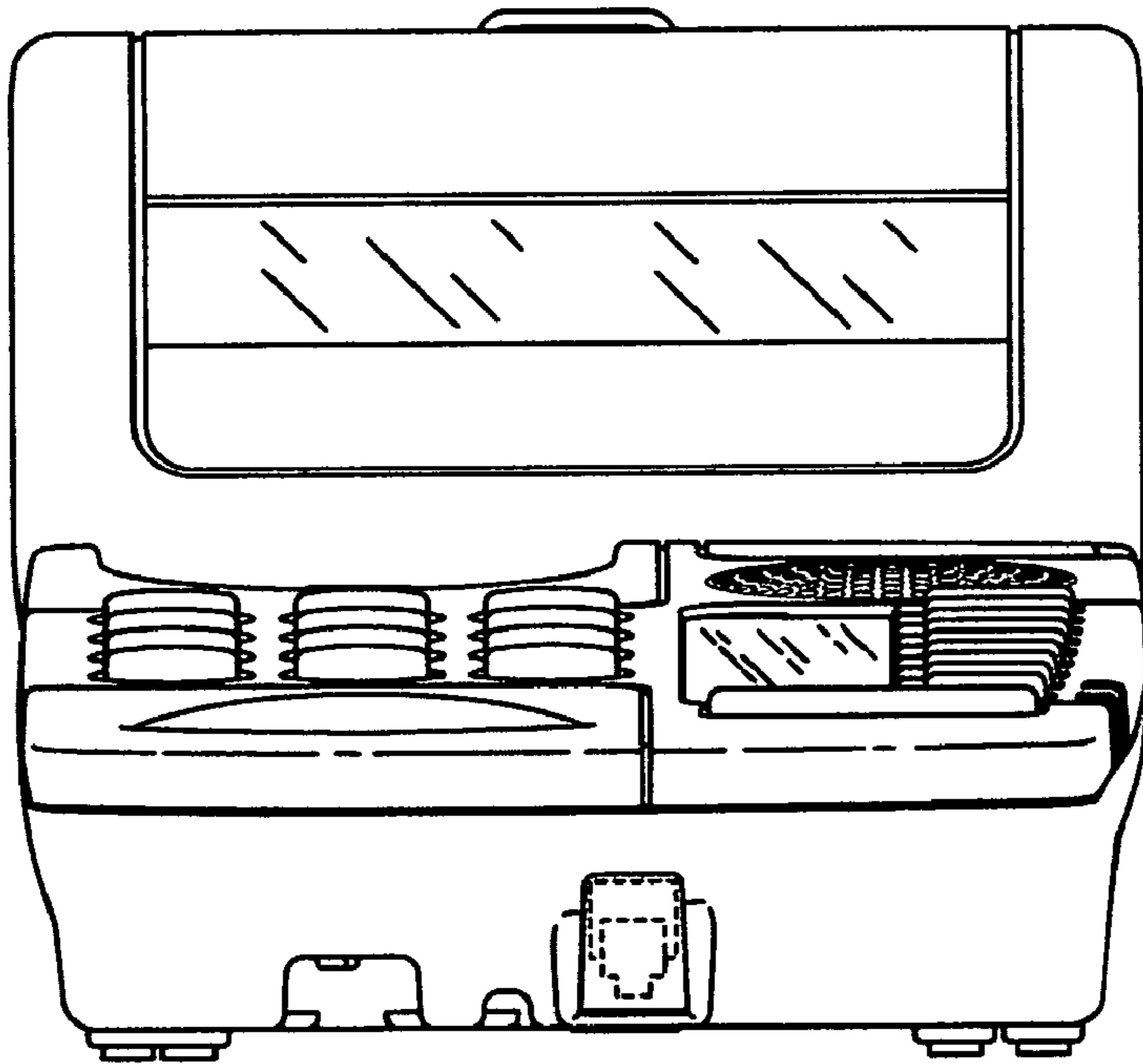


FIG. 5

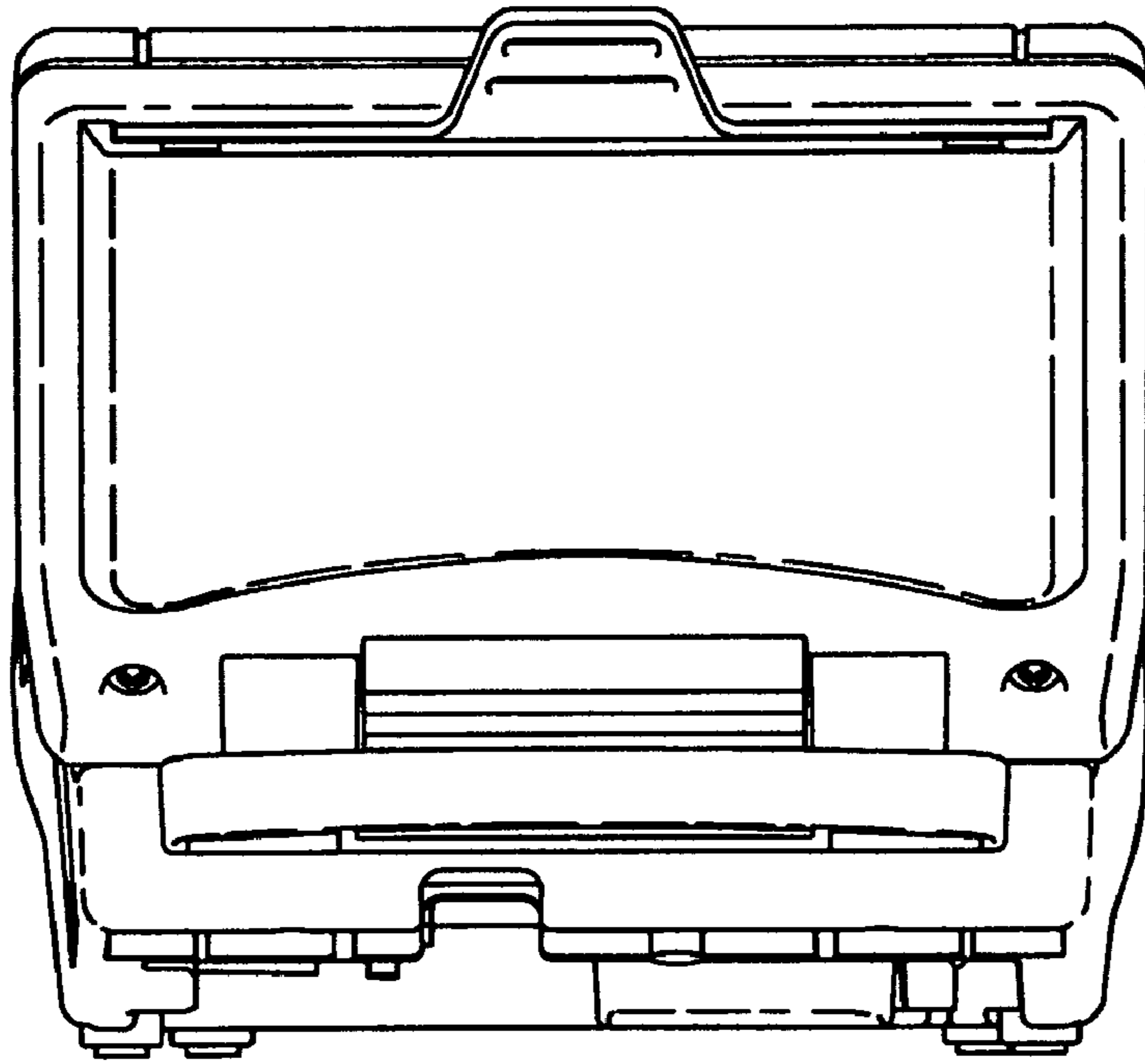


FIG. 6

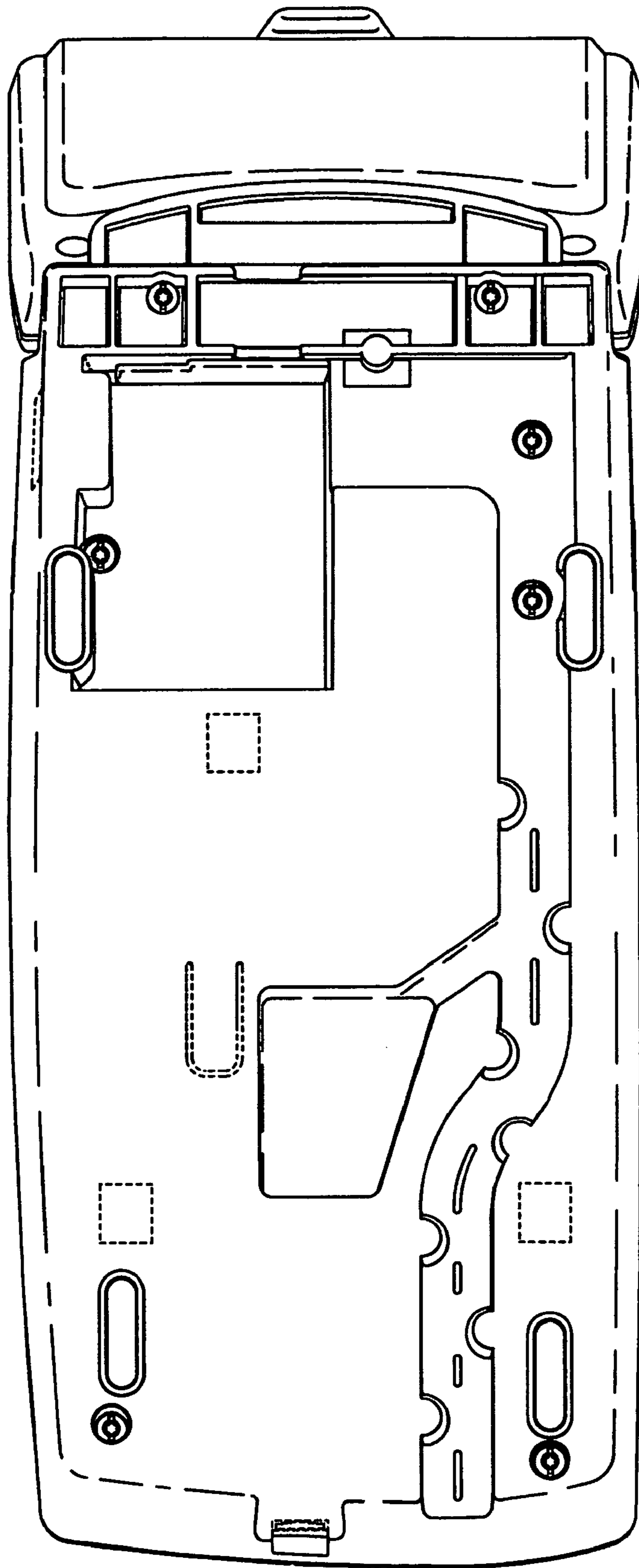


FIG. 7