



US00D640652S

(12) **United States Design Patent**
Hasegawa

(10) **Patent No.:** **US D640,652 S**
(45) **Date of Patent:** **** Jun. 28, 2011**

(54) **TELEVISION RECEIVER**

(75) Inventor: **Harunobu Hasegawa**, Echizen (JP)

(73) Assignee: **Orion Electric Co., Ltd.**, Echizen,
Fukui (JP)

(**) Term: **14 Years**

(21) Appl. No.: **29/359,384**

(22) Filed: **Apr. 9, 2010**

(51) **LOC (9) Cl.** **14-03**

(52) **U.S. Cl.** **D14/126**

(58) **Field of Classification Search** D14/125-134,
D14/239, 371, 136, 374-377, 440, 450, 448,
D14/336, 342; 312/7.2; 348/836, 838, 180,
348/184, 325, 739; 341/12; 248/917-924,
248/465; 345/104, 133, 156, 168, 87, 173;
720/605, 669, 600, 655; 369/99, 197; 455/344,
455/347; D21/329, 515, 577, 622, 333, 433,
D21/448, 452, 450, 331; D6/477, 479, 300;
273/148 B; 446/484, 175, 356; D10/15,
D10/26

See application file for complete search history.

(56) **References Cited**

U.S. PATENT DOCUMENTS

D569,816 S *	5/2008	Fujiki	D14/126
D605,149 S *	12/2009	Kim et al.	D14/126
D615,938 S *	5/2010	Song et al.	D14/126
D618,639 S *	6/2010	Ho et al.	D14/126
D620,902 S *	8/2010	Kim et al.	D14/126
D629,371 S *	12/2010	Lim et al.	D14/126

* cited by examiner

Primary Examiner — Raphael Barkai

(74) *Attorney, Agent, or Firm* — Westerman, Hattori,
Daniels & Adrian, LLP

(57) **CLAIM**

The ornamental design for a television receiver, as shown and described.

DESCRIPTION

FIG. 1 is a front elevational view of a television receiver showing our new design;
FIG. 2 is a rear elevational view thereof;
FIG. 3 is a right side elevational view thereof;
FIG. 4 is a left side elevational view thereof;
FIG. 5 is a top plan view thereof;
FIG. 6 is a bottom plan view thereof; and,
FIG. 7 is a perspective view thereof.

1 Claim, 7 Drawing Sheets

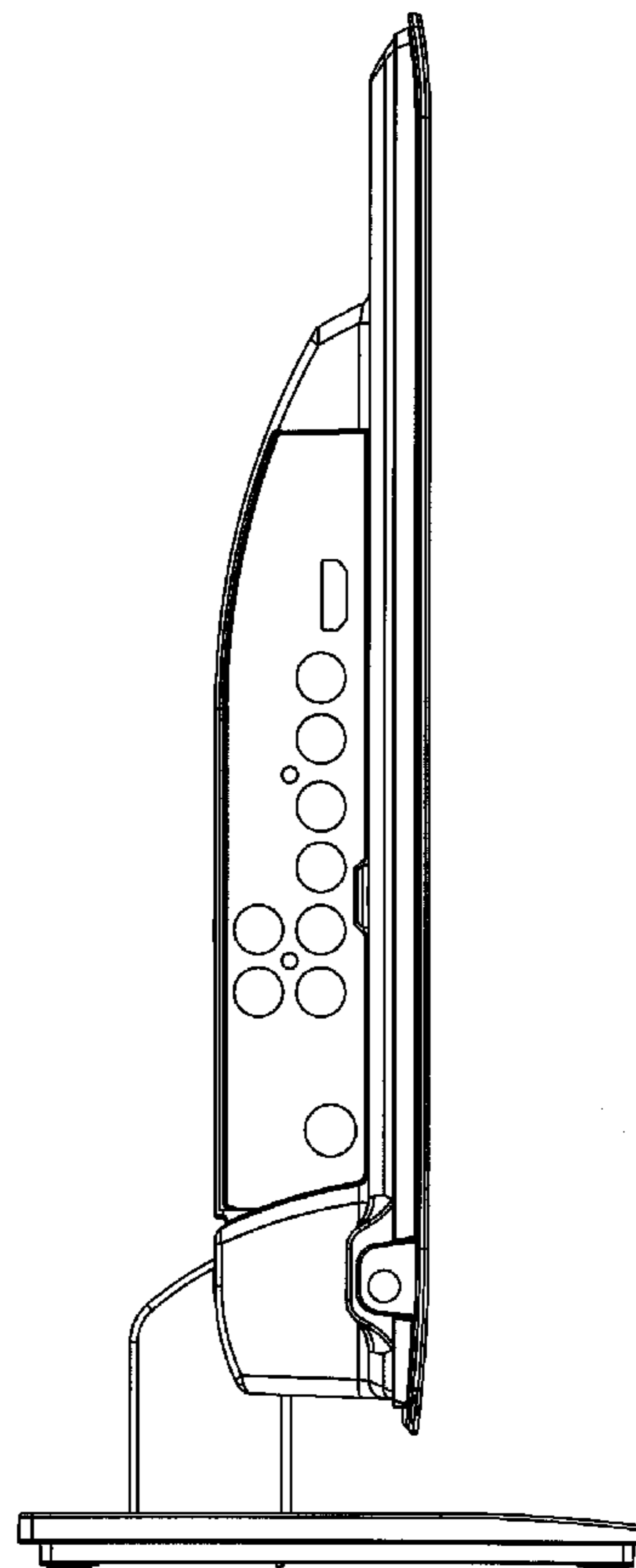
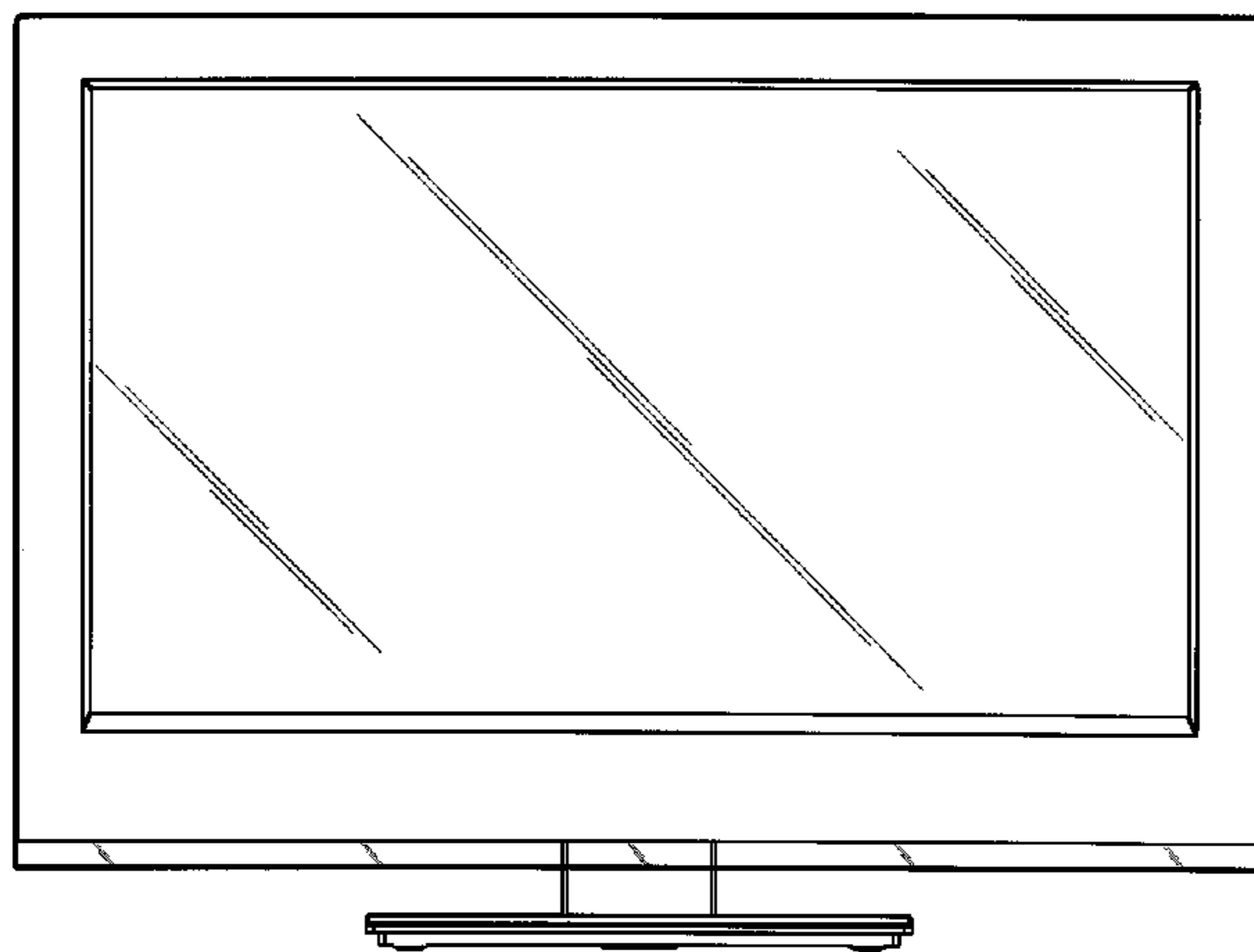


FIG. 1

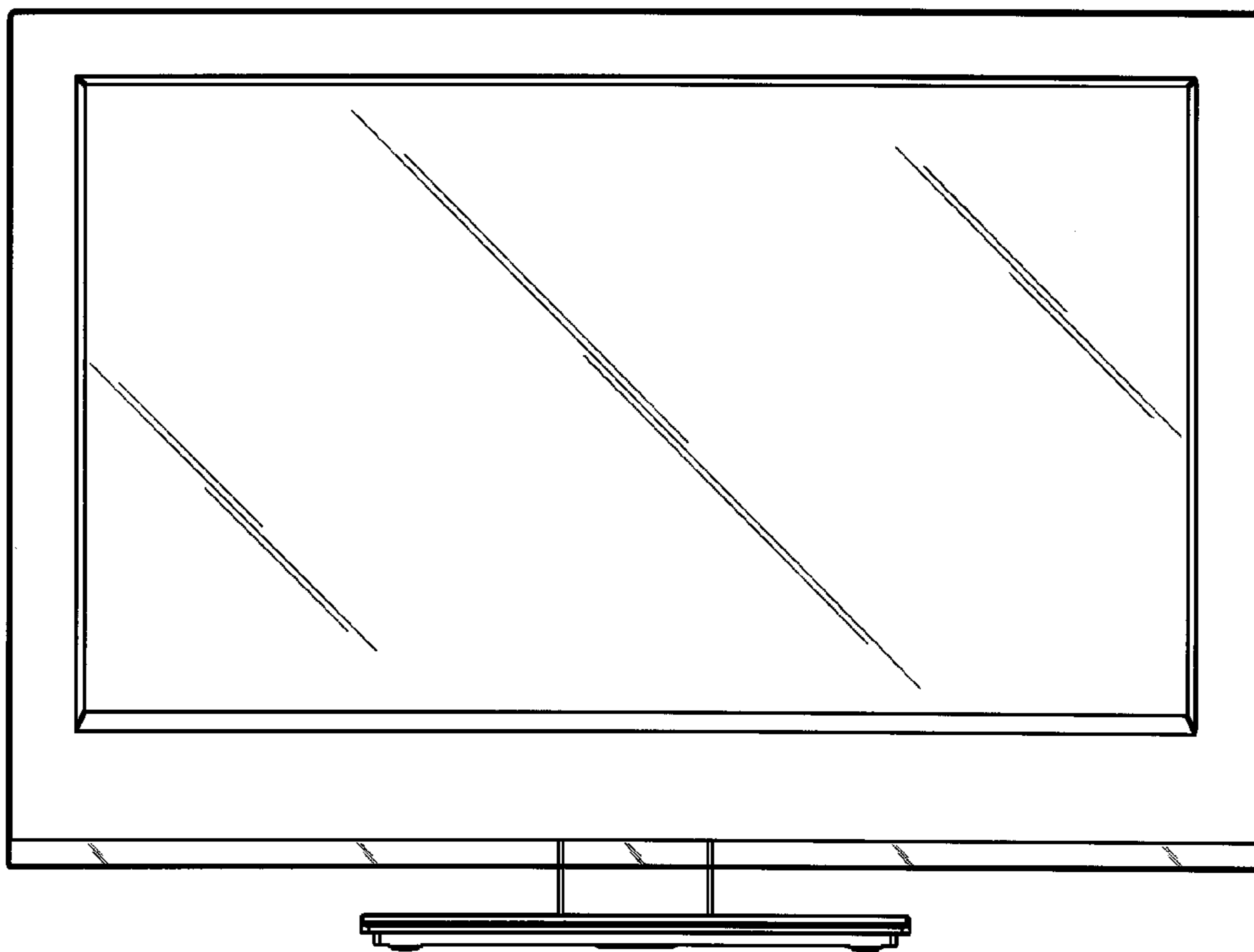


FIG. 2

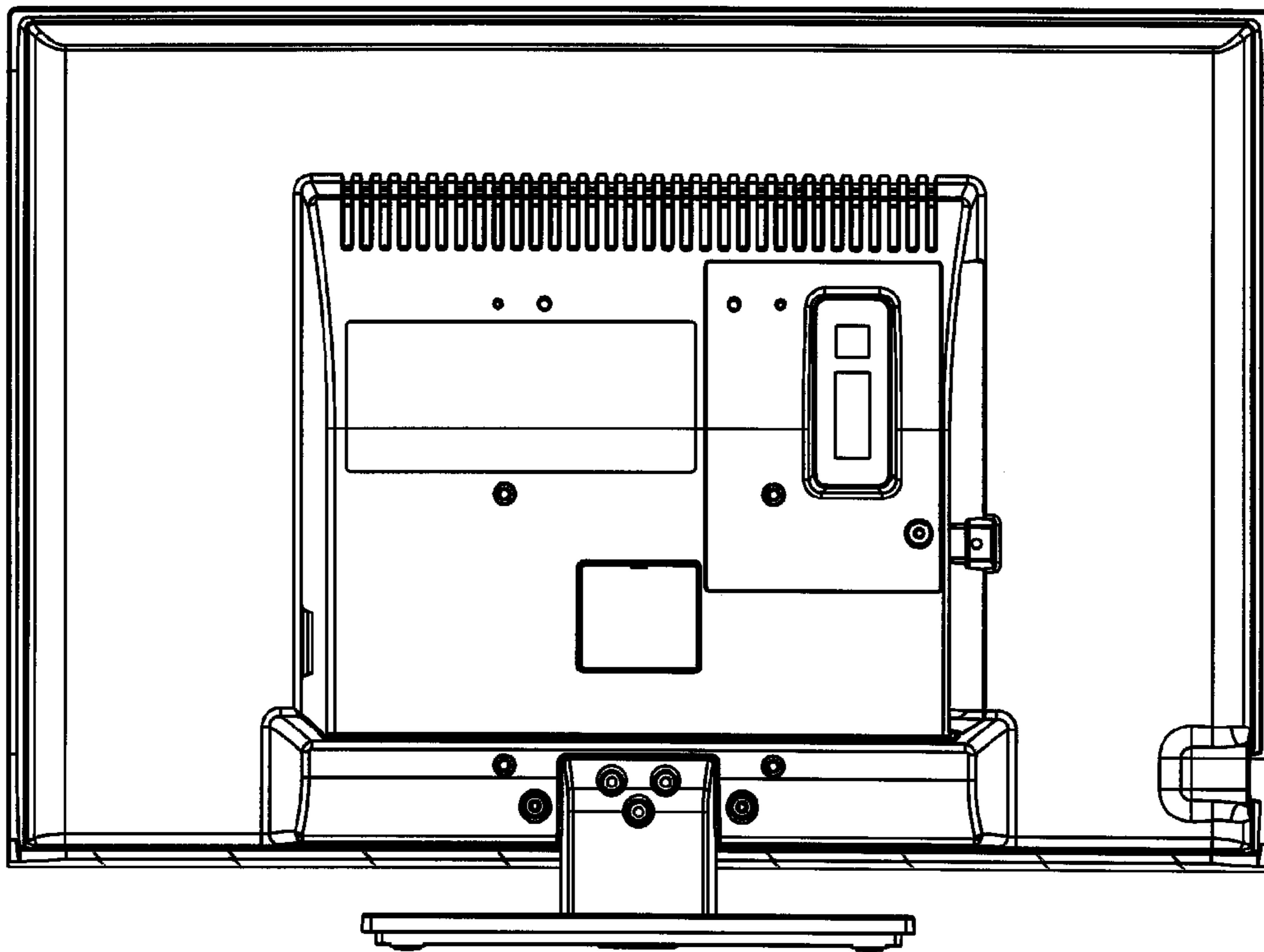


FIG. 3

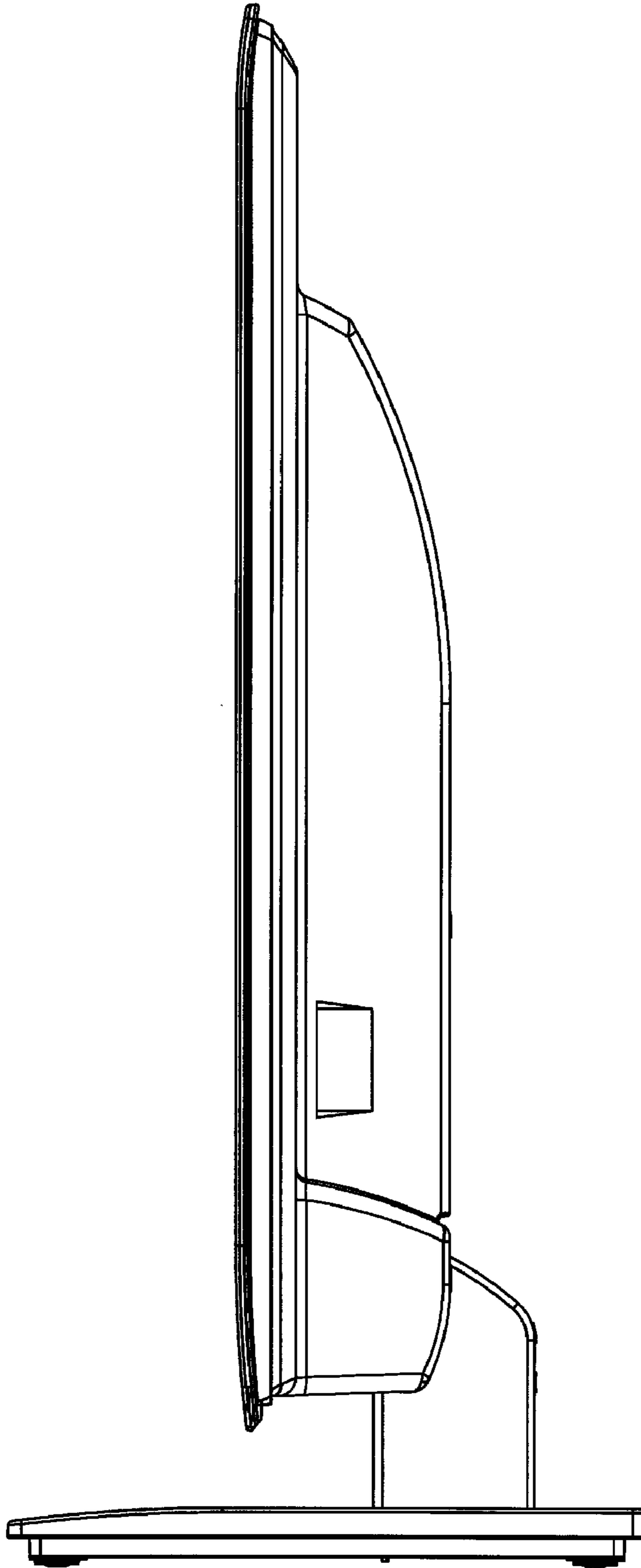


FIG. 4

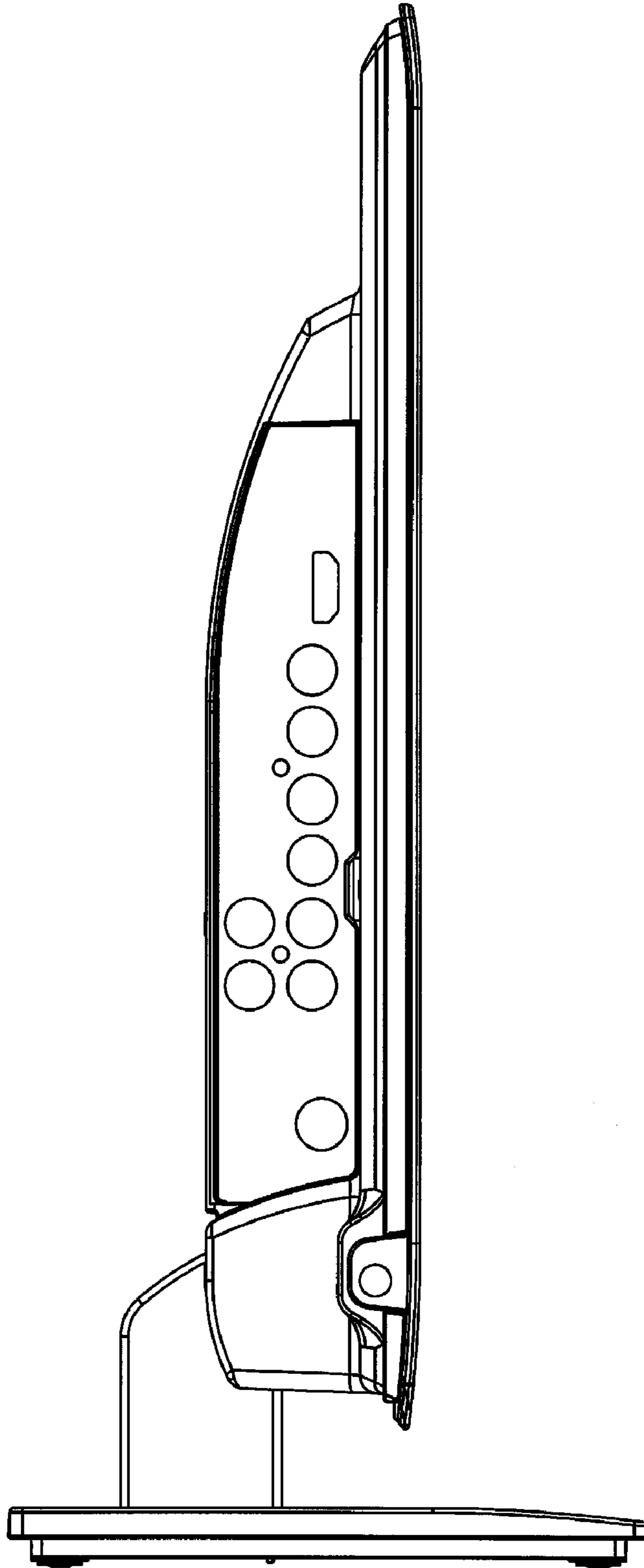


FIG. 5

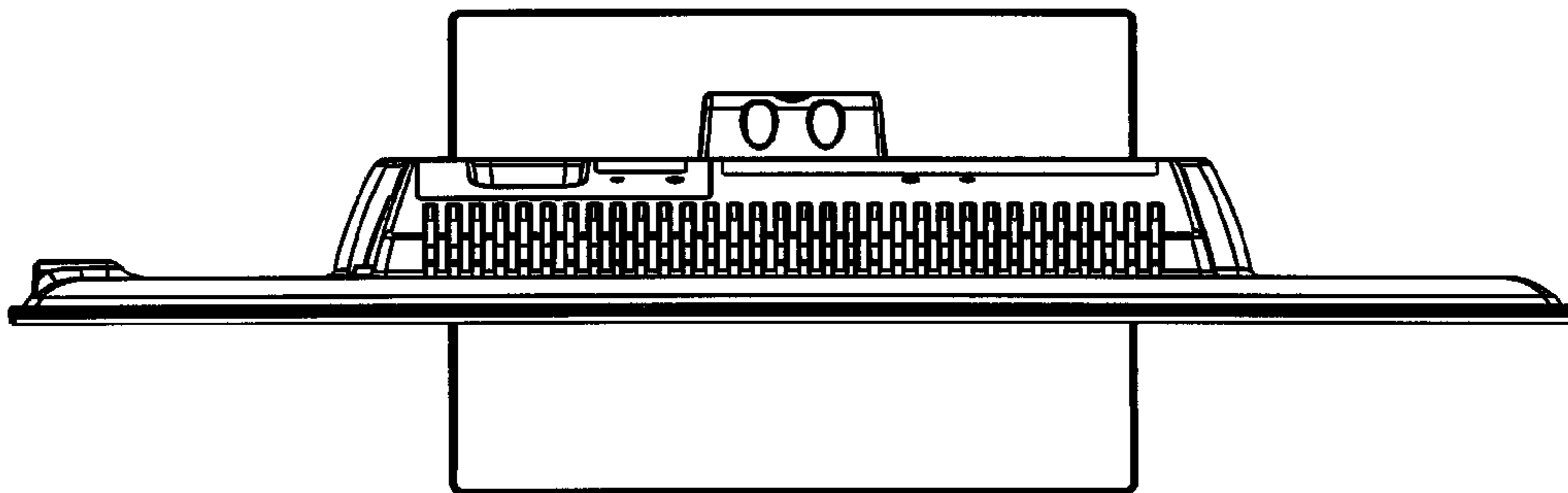


FIG. 6

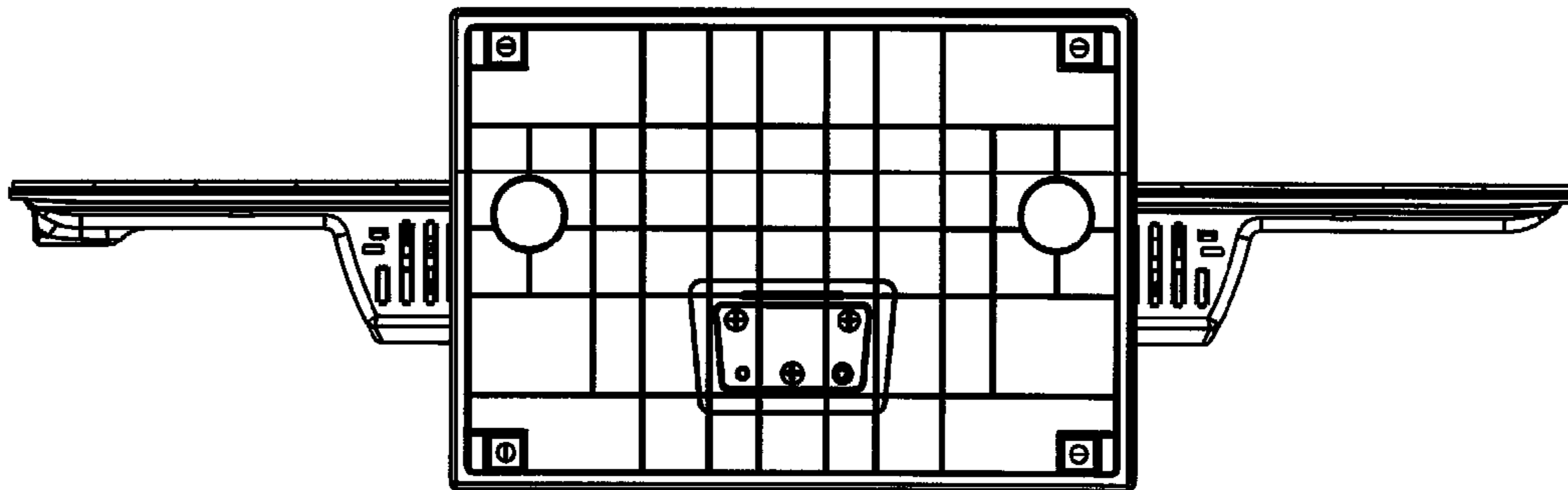


FIG. 7

