



US00D640645S

(12) **United States Design Patent**
Andrews et al.

(10) **Patent No.:** **US D640,645 S**
(45) **Date of Patent:** **** Jun. 28, 2011**

(54) **LAMP PACKAGE**

(75) Inventors: **Peter Andrews**, Durham, NC (US);
Nicholas W. Medendorp, Jr., Raleigh,
NC (US)

(73) Assignee: **Cree, Inc.**, Durham, NC (US)

(**) Term: **14 Years**

(21) Appl. No.: **29/328,924**

(22) Filed: **Dec. 4, 2008**

Related U.S. Application Data

(62) Division of application No. 29/248,311, filed on Aug. 9, 2006, now Pat. No. Des. 591,697.

(51) **LOC (9) Cl.** **13-99**

(52) **U.S. Cl.** **D13/182; D26/2**

(58) **Field of Classification Search** D26/1,
D26/24, 26, 37, 51-52, 60, 72; D10/109,
D10/111, 113-114; 362/555, 125, 154, 157-159,
362/182, 184-186, 194, 641-642, 646, 652,
362/655-656, 800; D13/180-182; D16/200,
D16/203

See application file for complete search history.

(56) **References Cited**

U.S. PATENT DOCUMENTS

D158,742	S *	5/1950	Gosswiller	D10/114
3,750,192	A	8/1973	Beresic	2/422
4,394,716	A	7/1983	Campagna et al.	362/158
D325,212	S *	4/1992	Elberbaum	D16/219
D350,409	S	9/1994	Johnson et al.	D26/86
D412,924	S *	8/1999	Hiraguchi	D16/219
D416,273	S *	11/1999	Yamakawa et al.	D16/203
D443,713	S	6/2001	Benensohn	D26/72
D465,599	S	11/2002	Thompson	D26/89
6,488,386	B1	12/2002	Yan	362/216
D473,888	S *	4/2003	Jones et al.	D16/203
6,541,800	B2	4/2003	Barnett et al.	257/98
D491,898	S *	6/2004	Kamada	D13/180
D497,927	S *	11/2004	Arbuckle et al.	D16/203

D524,260	S *	7/2006	Ishizaka et al.	D13/180
7,081,644	B2 *	7/2006	Flaherty et al.	257/98
D534,504	S *	1/2007	Kim et al.	D13/180
D544,618	S	6/2007	Coushaine	D26/37
D555,111	S	11/2007	Yen	D13/180

(Continued)

FOREIGN PATENT DOCUMENTS

TW 160799 11/1979

(Continued)

OTHER PUBLICATIONS

Search Report for Patent Application No. 096300826.

(Continued)

Primary Examiner — Ian Simmons

Assistant Examiner — Dana L Sipos

(74) *Attorney, Agent, or Firm* — Myers Bigel Sibley & Sajovec

(57) **CLAIM**

The ornamental design for a lamp package, as shown and described.

DESCRIPTION

FIG. 1 is a top perspective view of a lamp package showing our new design, shown applied to an unclaimed printed circuit board;

FIG. 2 is a bottom plan view of the lamp package of the present invention;

FIG. 3 is a top plan view thereof;

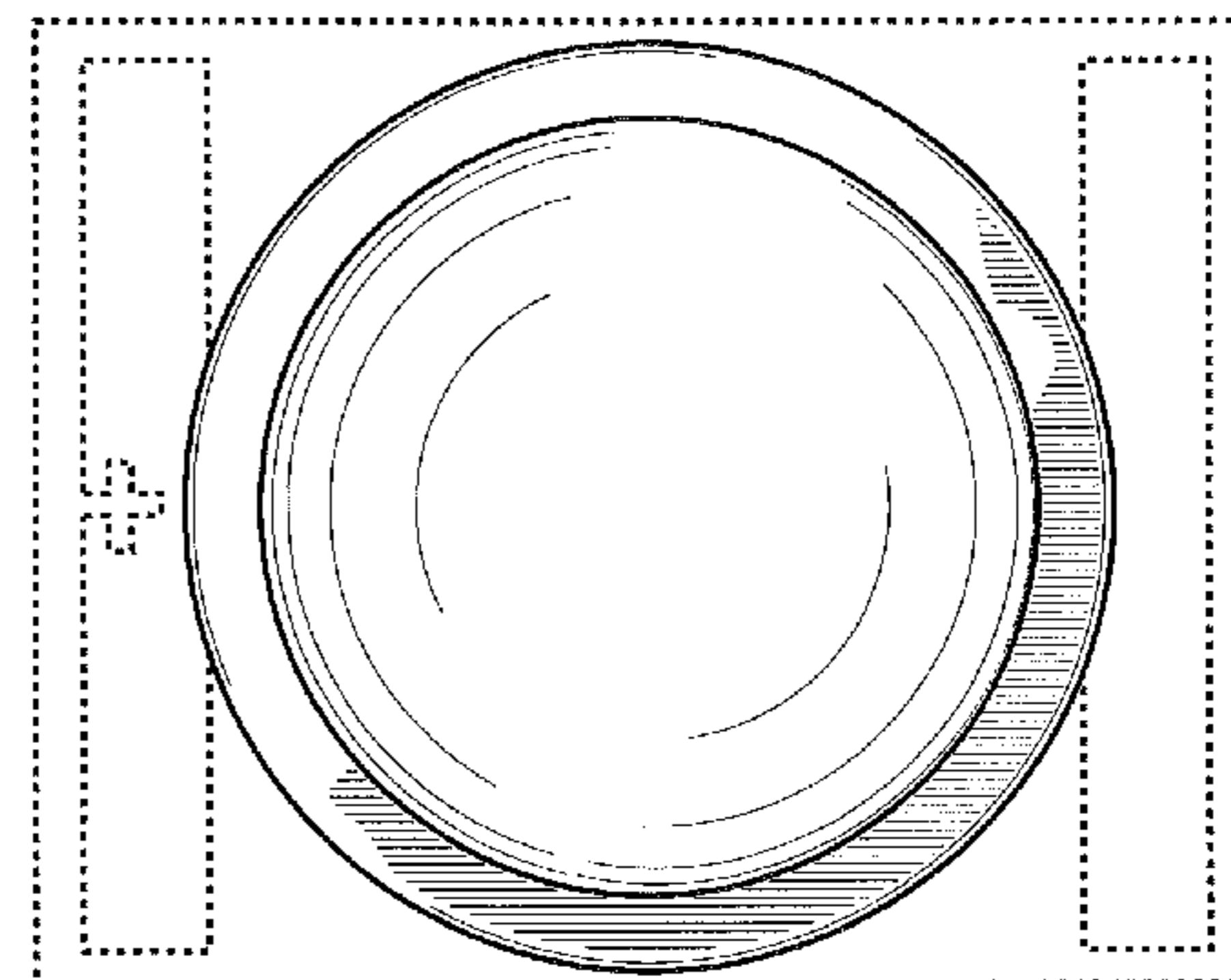
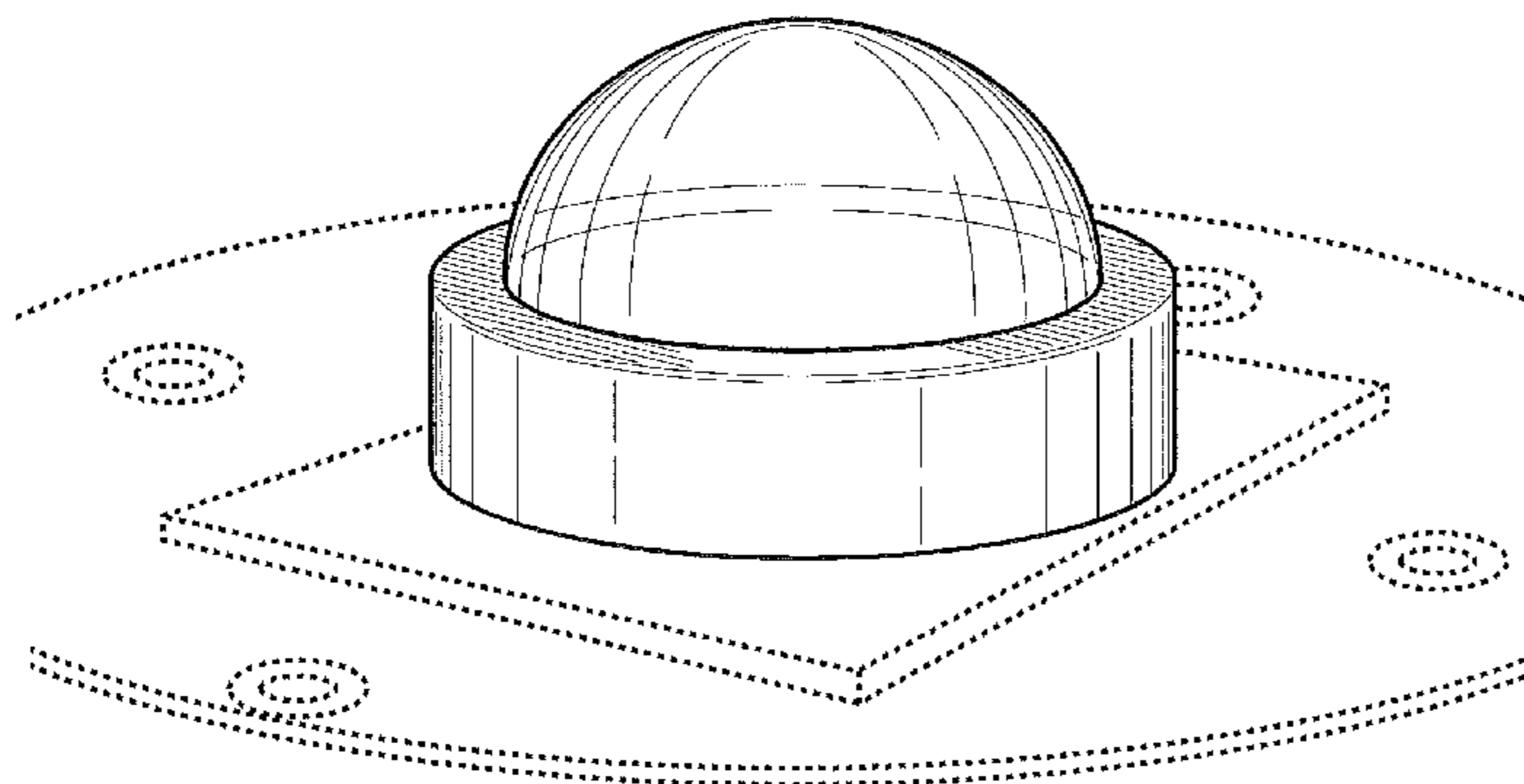
FIG. 4 is a bottom plan view thereof;

FIG. 5 is a side elevation view thereof; and,

FIG. 6 is a side elevation view thereof rotated 90 degrees.

The broken lines in the drawings showing the printed circuit board in FIG. 1 and the rectangular substrate in FIGS. 1-6 are for illustrative purposes only and form no part of the claimed design.

1 Claim, 3 Drawing Sheets



US D640,645 S

Page 2

U.S. PATENT DOCUMENTS

D556,236 S * 11/2007 Kim D16/203
D560,244 S * 1/2008 Naruki D16/203
D564,557 S * 3/2008 Yamamoto et al. D16/203
D576,574 S * 9/2008 Kobayakawa D13/180
D579,424 S * 10/2008 Kim et al. D13/180
D584,756 S * 1/2009 Yamakawa D16/203
D591,697 S * 5/2009 Andrews et al. D13/182
D592,162 S * 5/2009 Sugimoto et al. D13/180
D592,615 S * 5/2009 Imai et al. D13/180
D593,224 S * 5/2009 Hanley D26/2
D593,229 S * 5/2009 Hanley D26/28
D594,048 S * 6/2009 Yamakawa D16/203
D598,579 S * 8/2009 Hanley D26/1
7,618,163 B2 * 11/2009 Wilcox 362/336
D607,600 S * 1/2010 Keith D26/85
7,652,303 B2 * 1/2010 Galli 257/99
D618,383 S * 6/2010 Zhang et al. D26/120
D618,636 S * 6/2010 Hsieh D13/180
D619,753 S * 7/2010 Zhang et al. D26/120
2004/0079957 A1 * 4/2004 Andrews et al. 257/100
2004/0136197 A1 * 7/2004 Ishida 362/487
2006/0108594 A1 * 5/2006 Iwasaki et al. 257/98
2006/0267036 A1 * 11/2006 Lee et al. 257/98

2007/0029570 A1 * 2/2007 Shin et al. 257/99
2008/0001160 A1 * 1/2008 Andrews 257/79
2008/0054286 A1 * 3/2008 Loh et al. 257/98
2008/0230797 A1 * 9/2008 Chang et al. 257/99

FOREIGN PATENT DOCUMENTS

TW 171255 5/1980
TW 352241 3/1987

OTHER PUBLICATIONS

Preliminary Notice of Reasons for Refusal for Design Application No. 2007-002963.

Translation of Preliminary Notice of Reasons for Refusal for Design Application No. 2007-002963.

Preliminary Notice of Reasons for Refusal for Design Application No. 2007-015113.

Translation of Preliminary Notice of Reasons for Refusal for Design Application No. 2007-015113.

Cree introduces its first packaged LED product, LEDs Magazine, Oct. 2004, pp. 1-2.

* cited by examiner

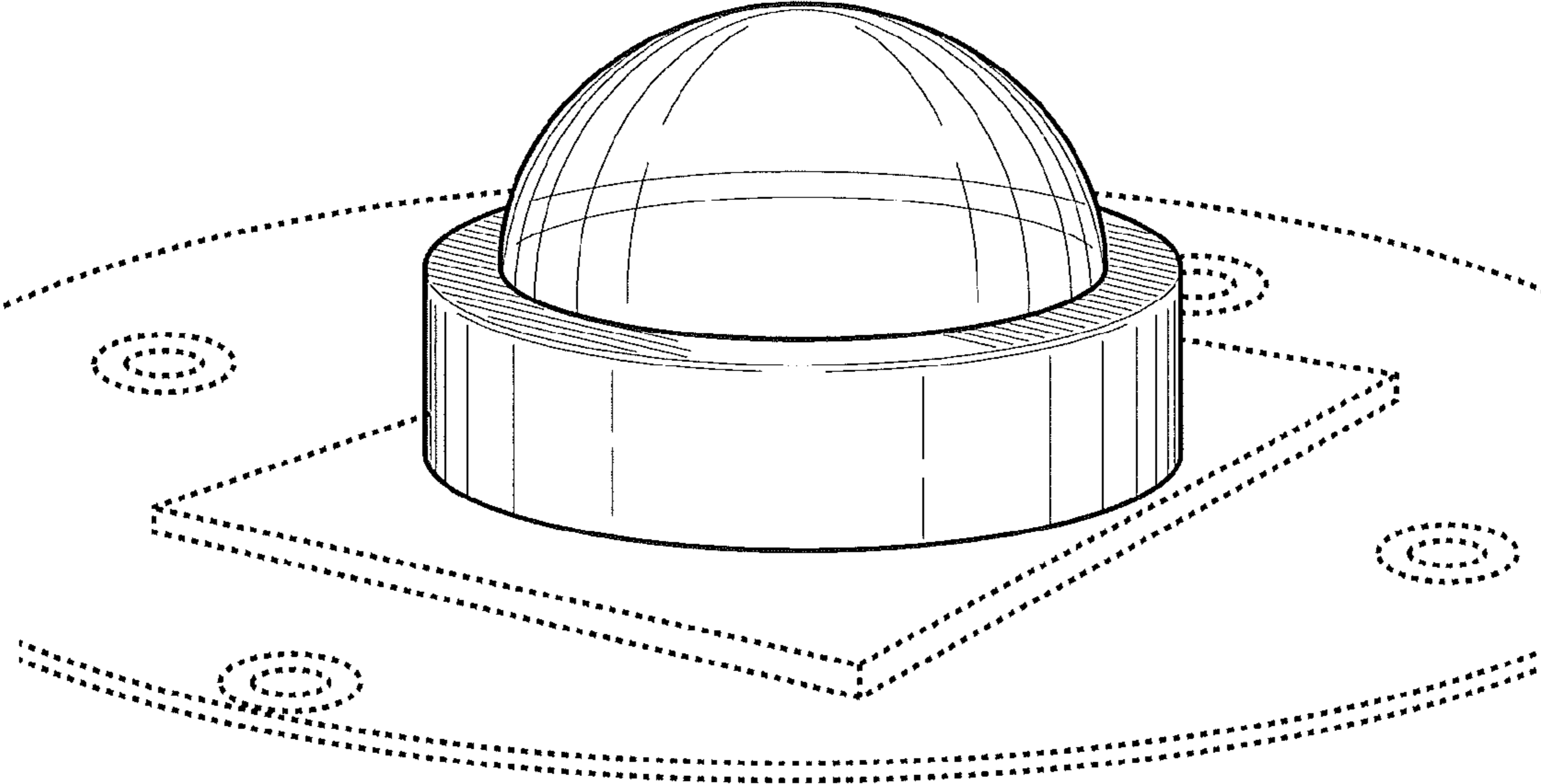


FIG. 1

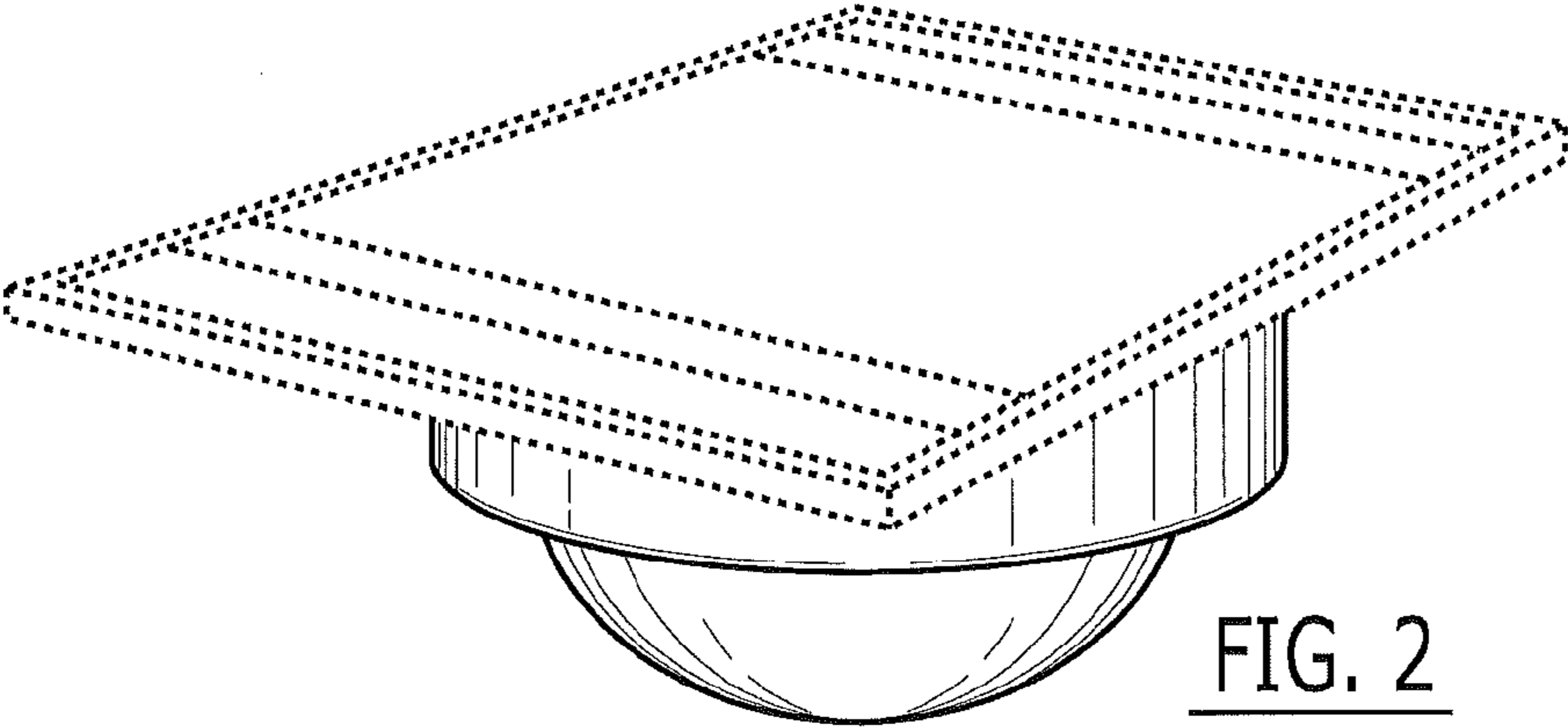


FIG. 2

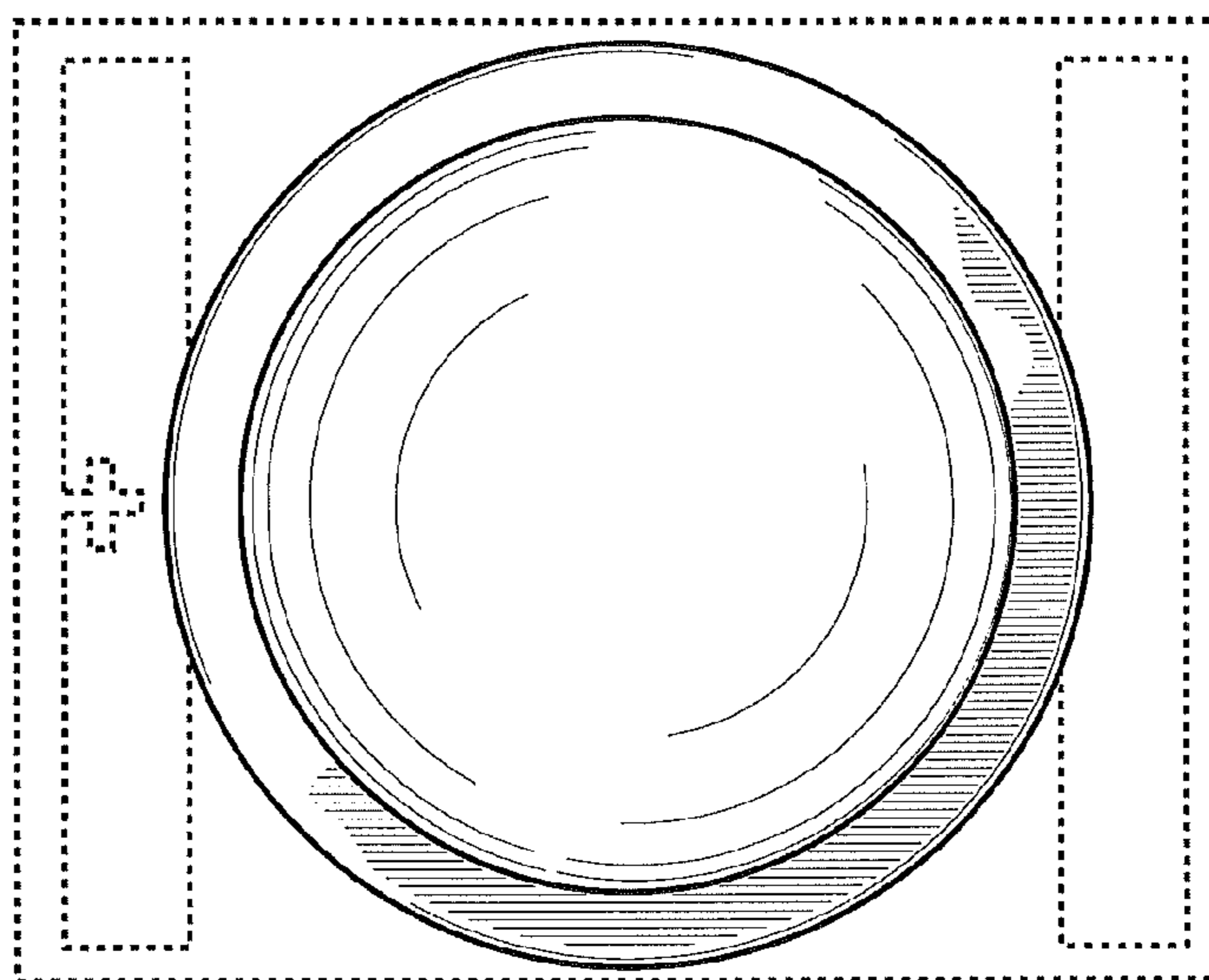


FIG. 3

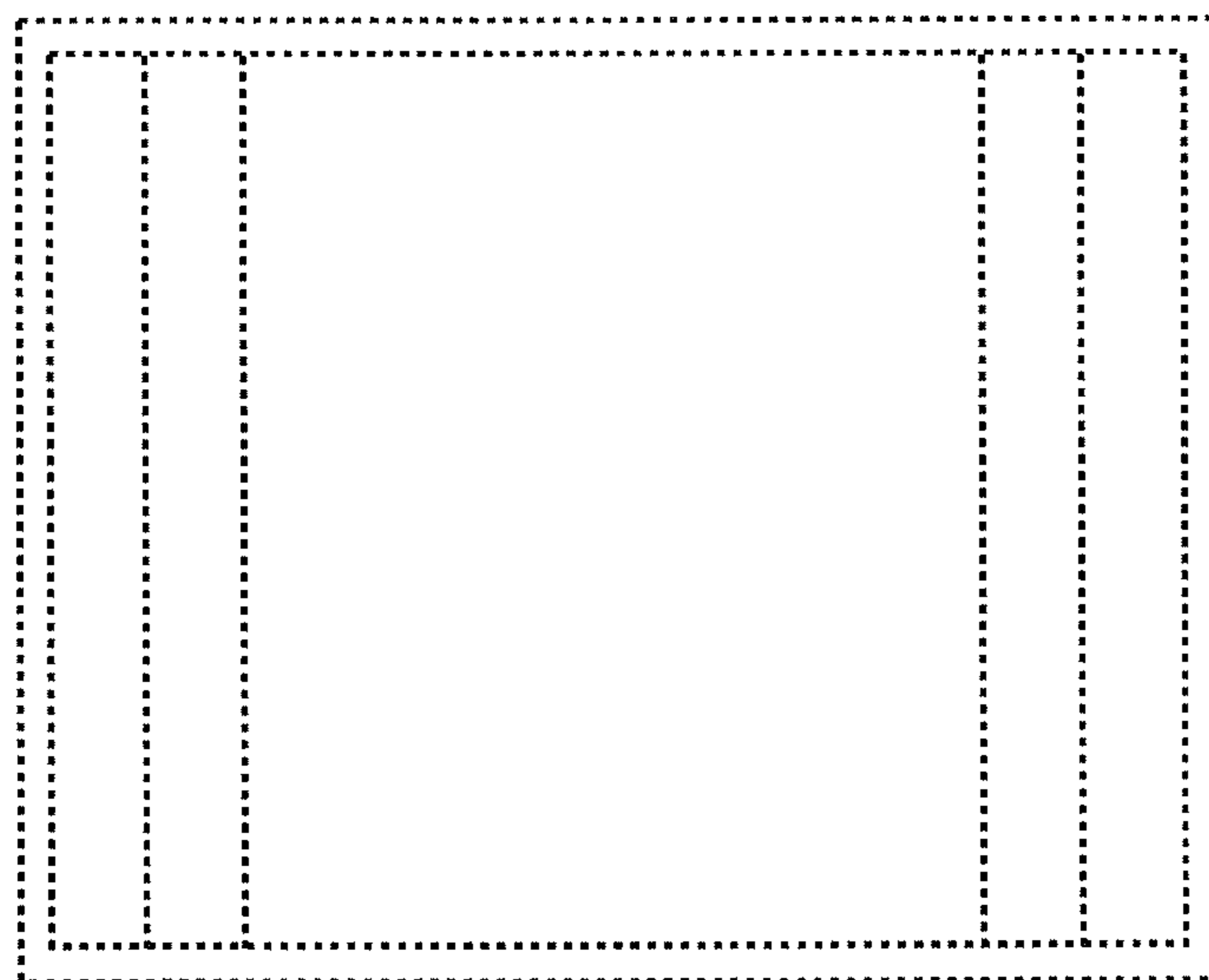


FIG. 4

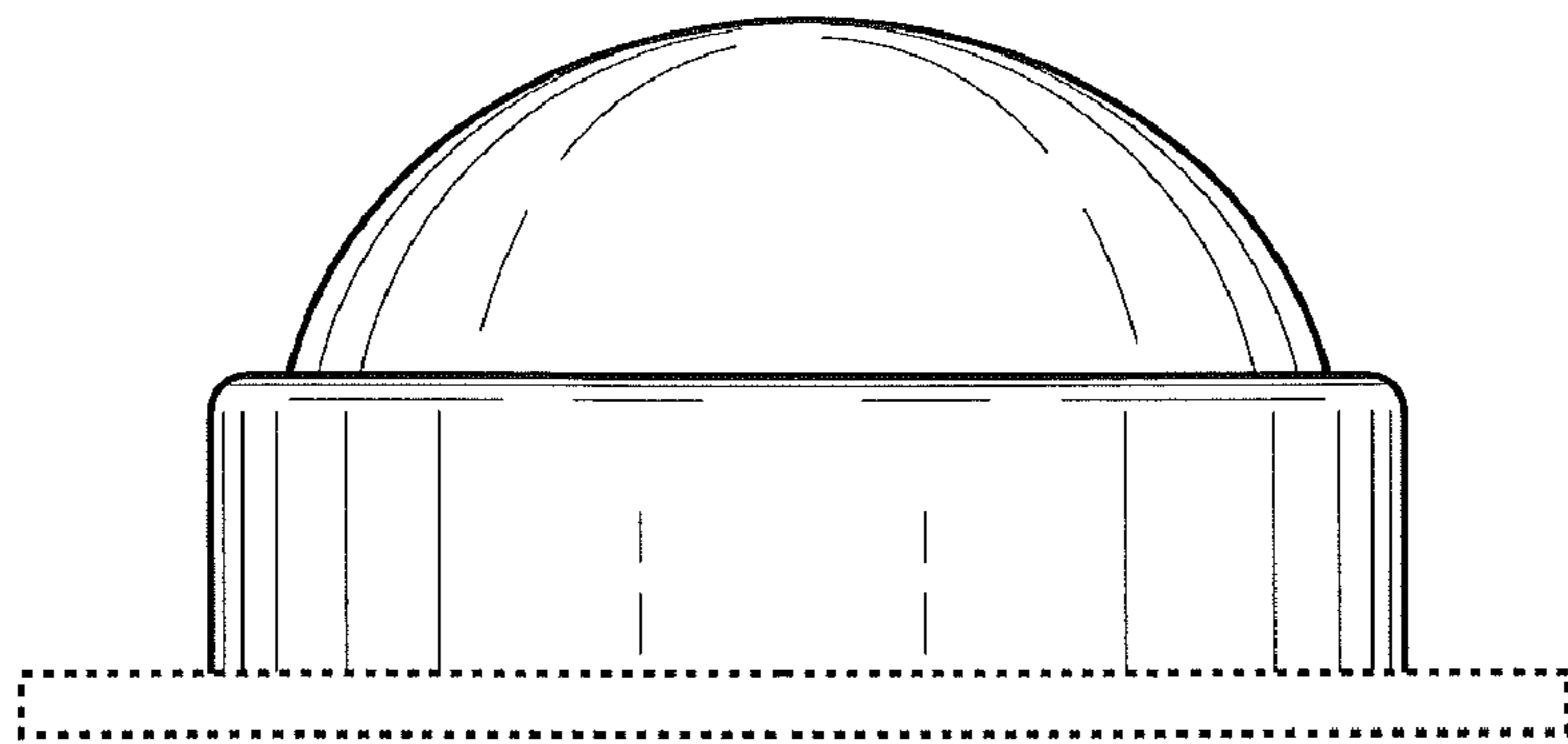


FIG. 5

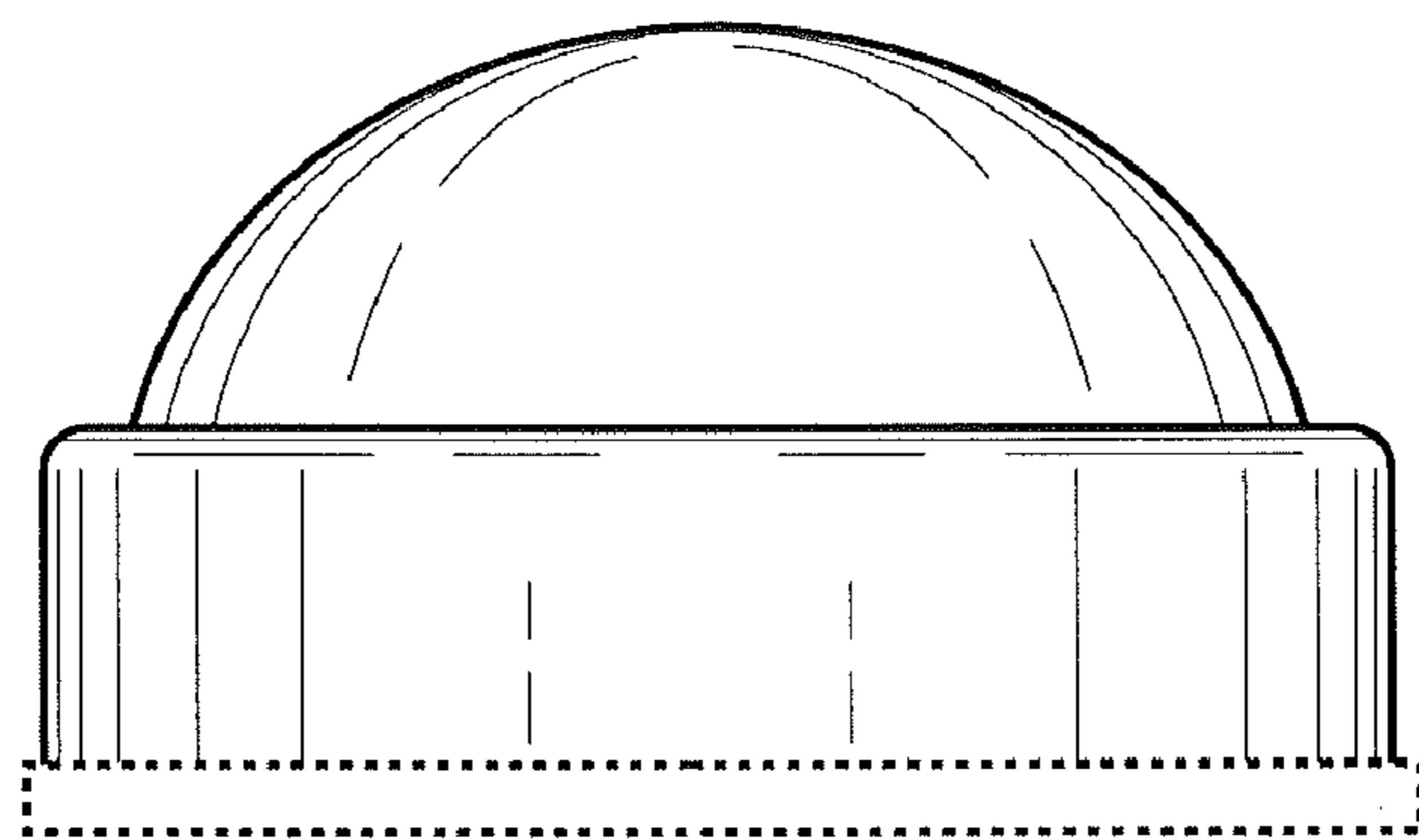


FIG. 6