



US00D640644S

(12) **United States Design Patent**
Tsou

(10) **Patent No.:** **US D640,644 S**
(45) **Date of Patent:** **** Jun. 28, 2011**

(54) **LIGHT EMITTING DIODE PACKAGE**

(75) Inventor: **Wen-Chieh Tsou**, Taipei Hsien (TW)

(73) Assignee: **Everlight Electronics Co., Ltd.**,
Tucheng Dist., New Taipei (TW)

(**) Term: **14 Years**

(21) Appl. No.: **29/375,076**

(22) Filed: **Sep. 17, 2010**

(30) **Foreign Application Priority Data**

Mar. 19, 2010 (TW) 99301354

(51) **LOC (9) Cl.** **13-03**

(52) **U.S. Cl.** **D13/180**

(58) **Field of Classification Search** D13/180;
D26/2; 257/79, 80, 81, 88, 89, 95, 98, 99,
257/100, E33.058; 313/483, 498, 500; 362/555,
362/800

See application file for complete search history.

(56) **References Cited**

U.S. PATENT DOCUMENTS

6,777,719	B1	8/2004	Fujii	
D511,328	S	11/2005	Wang	
7,049,639	B2	5/2006	Wang	
D576,571	S	9/2008	Itai	
D590,356	S	4/2009	Takano	
D590,358	S	4/2009	Miyashita	
D599,303	S	9/2009	Seo	
7,731,405	B2*	6/2010	Ishizaka et al.	362/555
D619,977	S*	7/2010	Ni et al.	D13/180
D630,171	S*	1/2011	Hsieh	D13/180

D631,021	S*	1/2011	Ni et al.	D13/180
2006/0113906	A1	6/2006	Ogawa	
2006/0214273	A1	9/2006	Wang	
2010/0072502	A1*	3/2010	Kadotani	257/98

FOREIGN PATENT DOCUMENTS

JP	1066550-004	4/2000
JP	D1078478	4/2000
JP	D1170881	2/2003
JP	D1322677	1/2008
KR	3001652910000	6/1995
TW	D130663	9/2009

OTHER PUBLICATIONS

Ni, "Light Emitting Diode Package", Pending U.S. Appl. No. 29/358,359, filed Mar. 26, 2010.

* cited by examiner

Primary Examiner — Selina Sikder

(74) *Attorney, Agent, or Firm* — Winston Hsu; Scott Margo

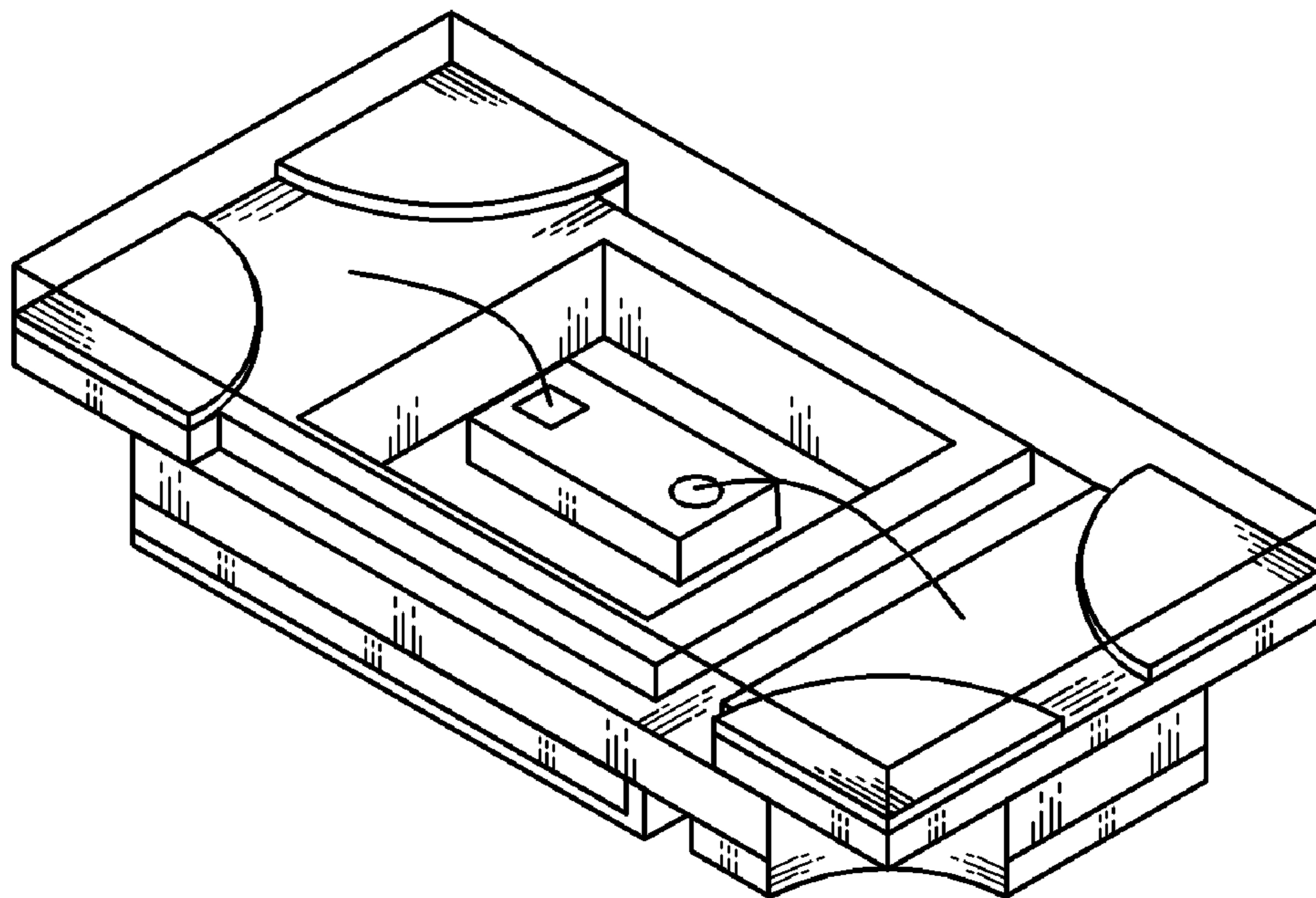
(57) **CLAIM**

I claim the ornamental design for a light emitting diode package, as shown and described.

DESCRIPTION

FIG. 1 is a perspective view of a light emitting diode package in accordance with the new design;
FIG. 2 is a front elevational view thereof;
FIG. 3 is a rear elevational view thereof;
FIG. 4 is a left side elevational view thereof;
FIG. 5 is a right side elevational view thereof;
FIG. 6 is a top plan view thereof; and,
FIG. 7 is a bottom plan view thereof.

1 Claim, 7 Drawing Sheets



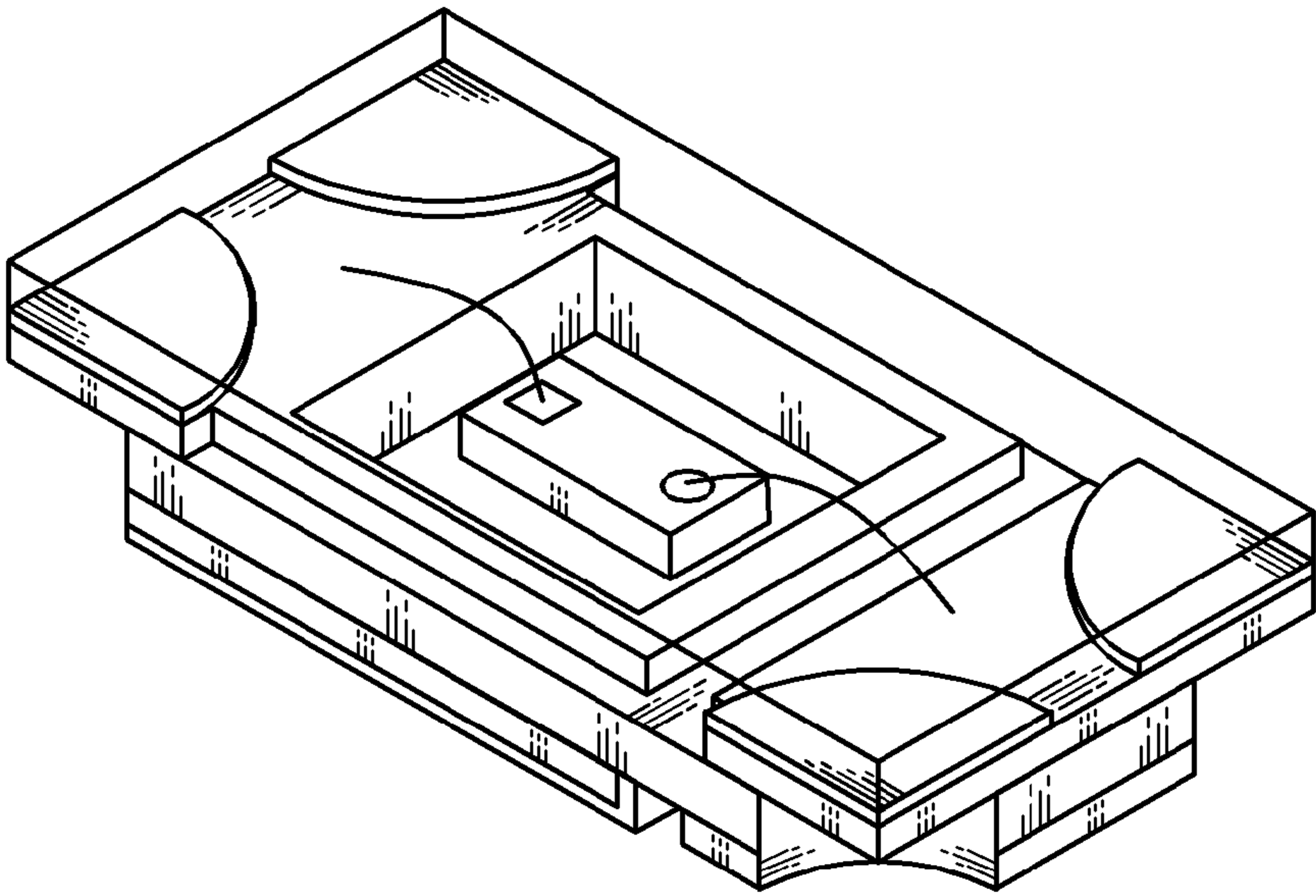


FIG. 1

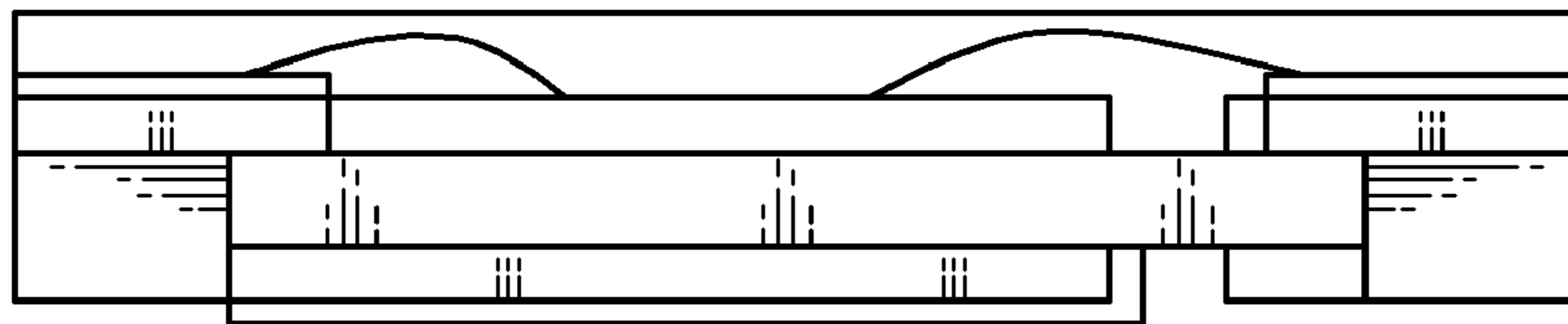


FIG. 2

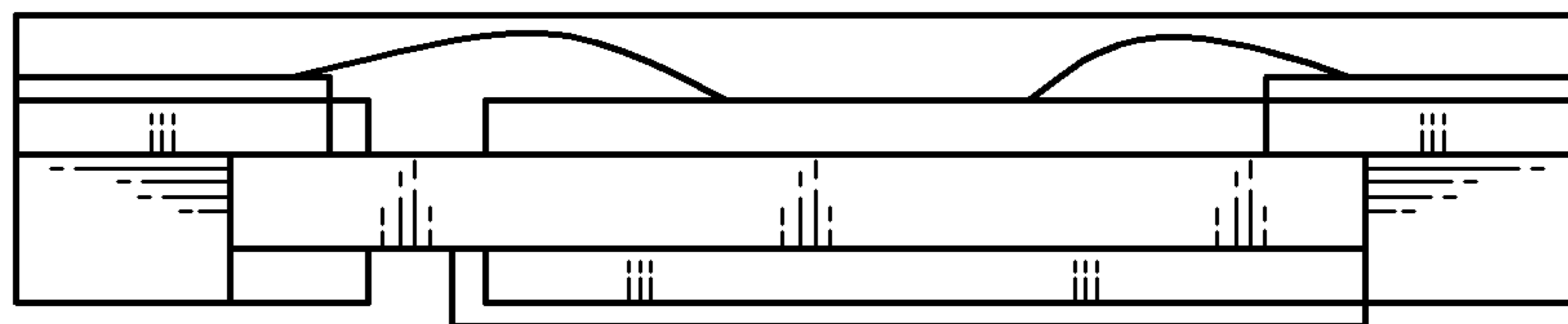


FIG. 3

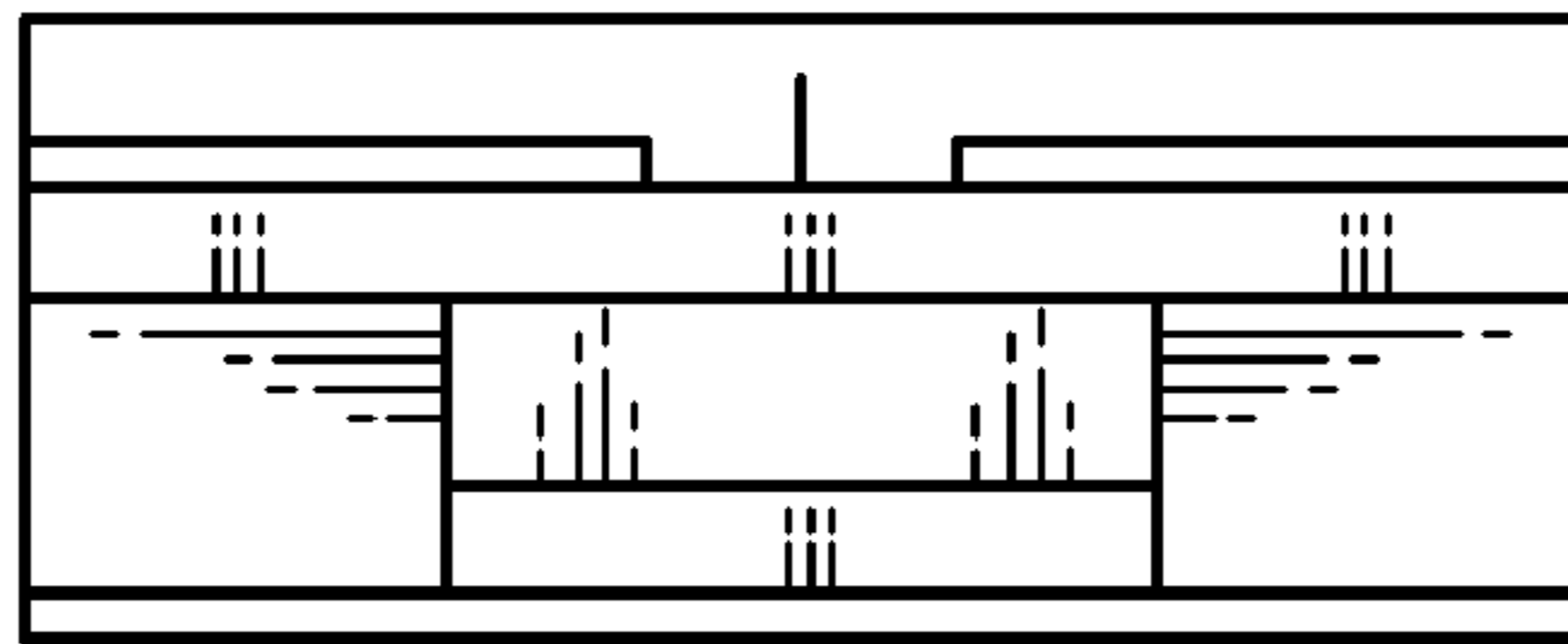


FIG. 4

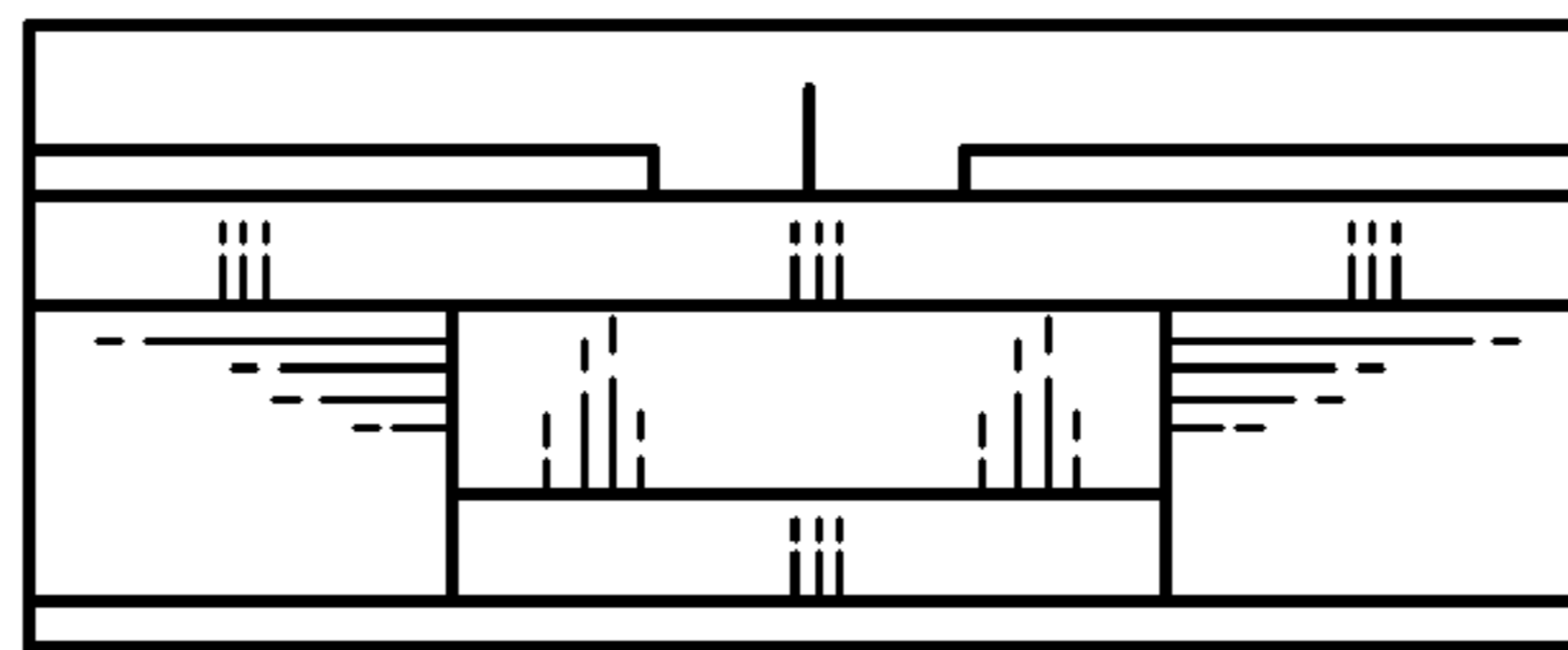


FIG. 5

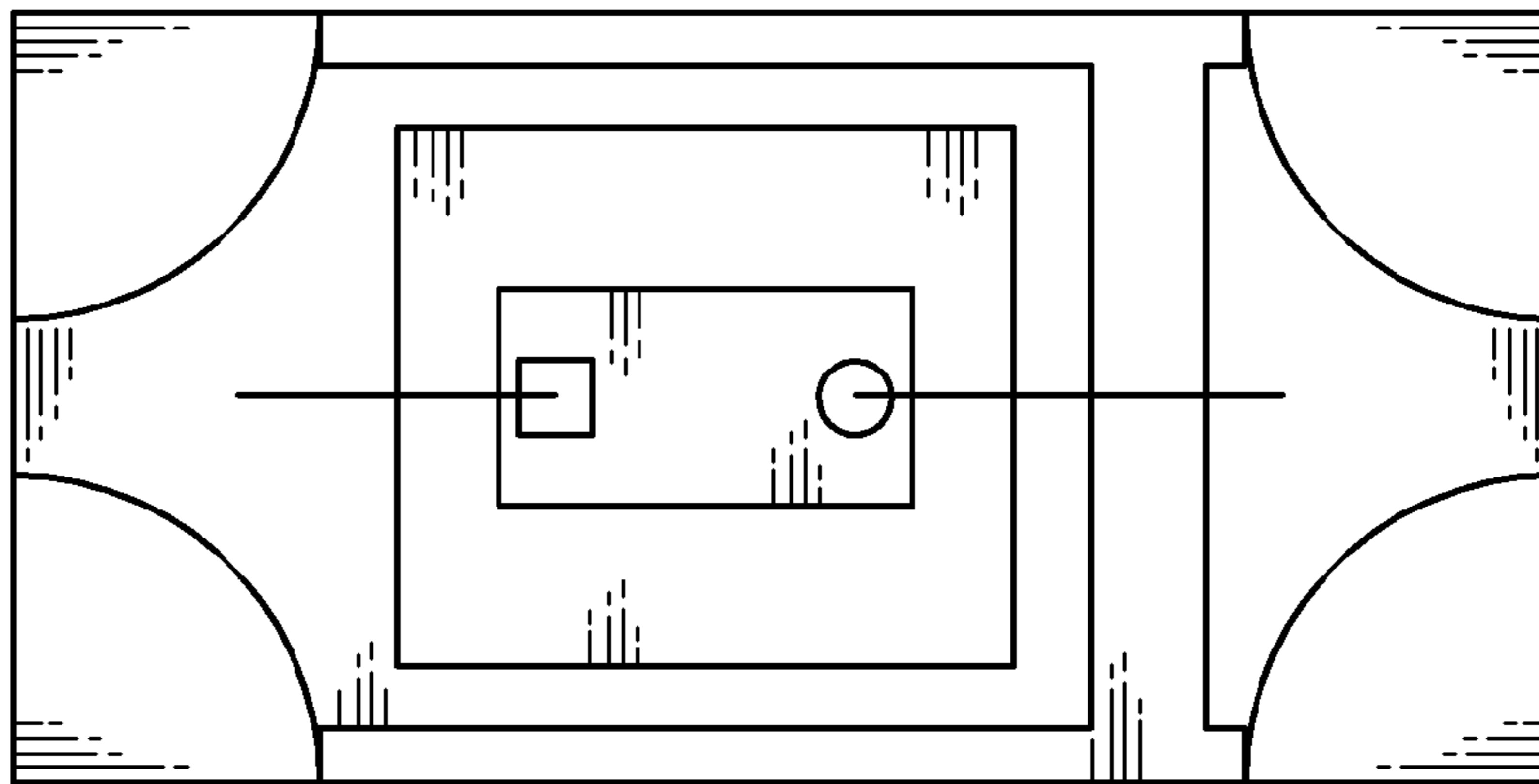


FIG. 6

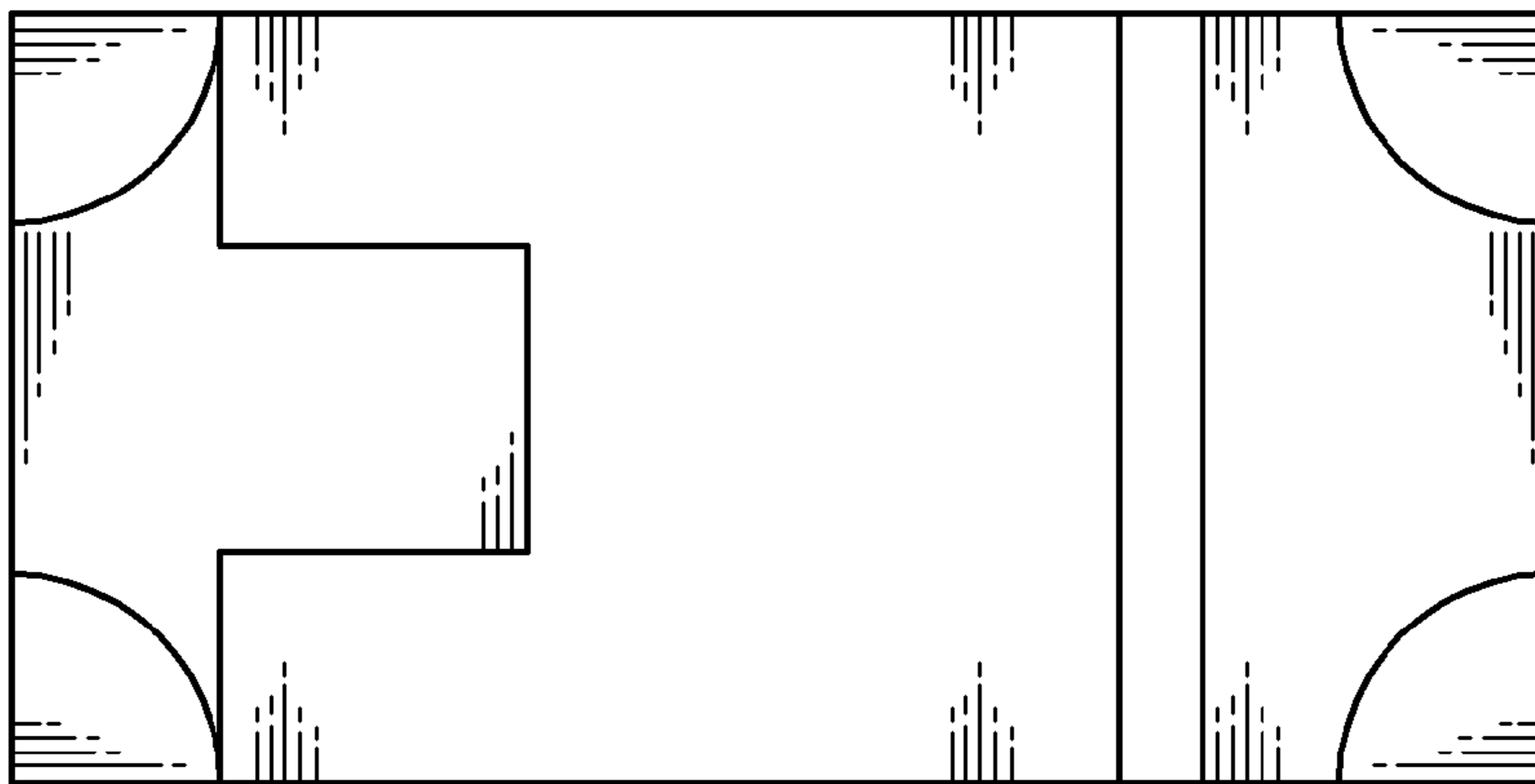


FIG. 7