

US00D640640S

(12) **United States Design Patent**
Duckworth et al.

(10) **Patent No.:** **US D640,640 S**
(45) **Date of Patent:** **** Jun. 28, 2011**

(54) **ELECTRICAL DEVICE**

(75) Inventors: **Paul Duckworth**, Holland, MI (US);
Gordon Stannis, Saugatuck, MI (US);
Kent Pilcher, Holland, MI (US); **Grant Carmichael**, Grand Rapids, MI (US);
Renjith Mathew, New Hyde Park, NY (US); **Selin Glickman**, Woodbury, NY (US); **Cheryl Samartano**, North Baldwin, NY (US)

(73) Assignee: **Leviton Manufacturing Co., Inc.**, Melville, NY (US)

(**) Term: **14 Years**

(21) Appl. No.: **29/346,227**

(22) Filed: **Oct. 28, 2009**

(51) **LOC (9) Cl.** **13-03**

(52) **U.S. Cl.** **D13/162; D13/177**

(58) **Field of Classification Search** D13/158,
D13/162, 164, 168, 177, 184, 199; D8/302,
D8/315; 200/1 R, 5 R, 52 R, 81 R, 81.4,
200/83, 83 Q, 315, 310, 6 A, 302.1, 308,
200/314, 317, 520; 296/153; 297/411.21;
307/10.1; 362/501, 23, 276, 29, 464, 802,
362/85; D10/85, 96

See application file for complete search history.

(56) **References Cited**

U.S. PATENT DOCUMENTS

3,473,107	A	10/1969	Smalley
3,555,367	A	1/1971	Watson
3,598,937	A	8/1971	Balchunas
3,711,761	A	1/1973	Watson
3,740,680	A	6/1973	Schneidinger
3,939,361	A	2/1976	Aidala et al.
3,979,601	A	9/1976	Franklin
3,988,553	A	10/1976	Astle

(Continued)

FOREIGN PATENT DOCUMENTS

CA 124072 8/2008

(Continued)

OTHER PUBLICATIONS

NE5C Plug In Photo Control, Product Fact Sheet, Intermatic Incorporated, Spring Grove, IL, Jun. 12, 2002.

(Continued)

Primary Examiner — Thomas J Johannes

(74) *Attorney, Agent, or Firm* — Marger Johnson & McCollom PC

(57) **CLAIM**

The ornamental design for an electrical device, as shown and described.

DESCRIPTION

A portion of the disclosure of this patent document contains material which is subject to copyright protection. The copyright owner has no objection to the facsimile reproduction by anyone of the patent disclosure, as it appears in the Patent and Trademark Office patent files or record, but otherwise reserves all copyright rights whatsoever.

FIG. 1 is a front elevation view of an electrical device showing our new design in a typical usage configuration;

FIG. 2 is a back elevation view thereof;

FIG. 3 is a left side elevation view thereof;

FIG. 4 is a right side elevation view thereof;

FIG. 5 is a top plan view thereof;

FIG. 6 is a bottom plan view thereof;

FIG. 7 is a front perspective view thereof;

FIG. 8 is a front elevation view of an electrical device showing our new design in an alternate typical usage configuration;

FIG. 9 is a back elevation view thereof;

FIG. 10 is a left side elevation view thereof;

FIG. 11 is a right side elevation view thereof;

FIG. 12 is a top plan view thereof;

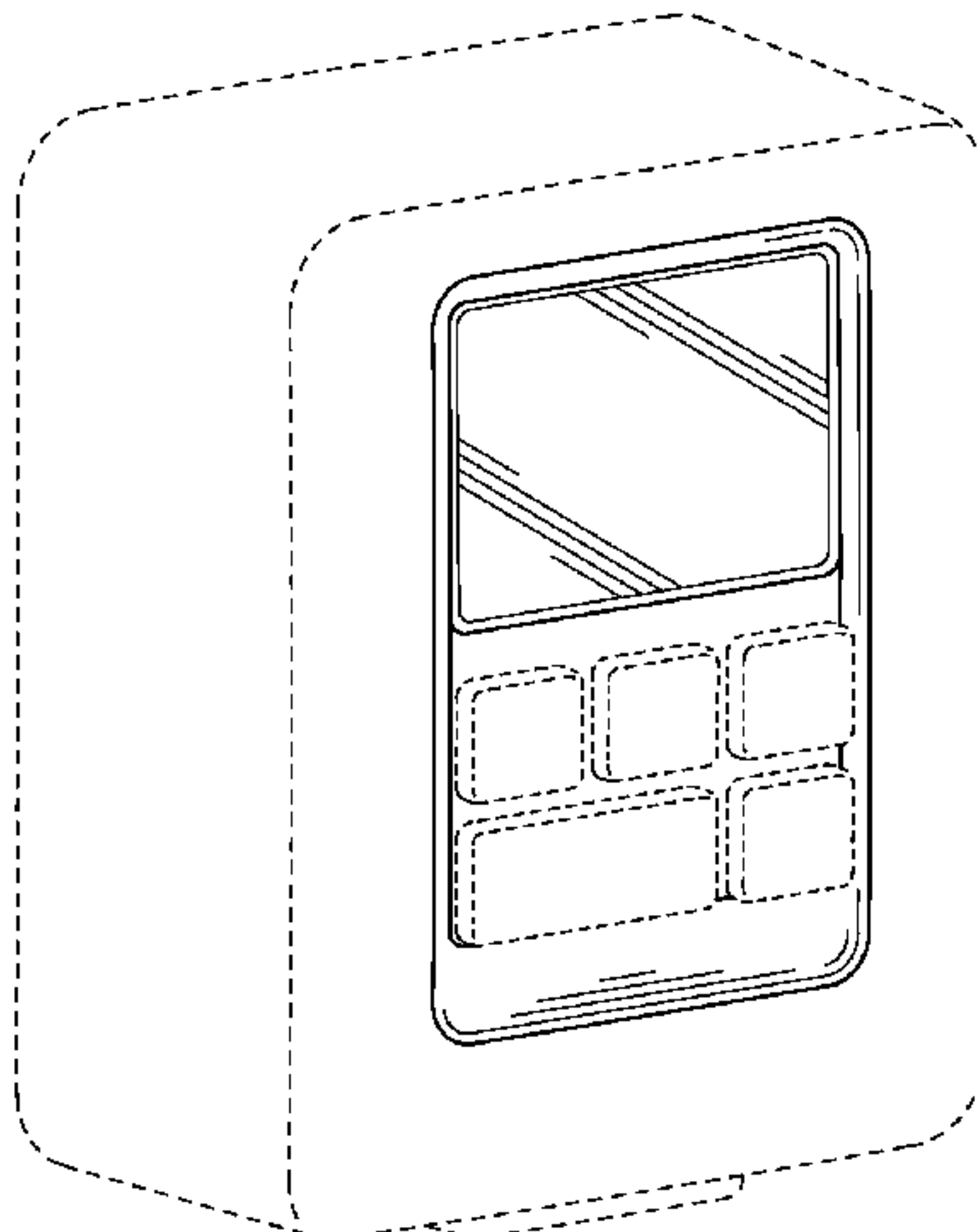
FIG. 13 is a bottom plan view thereof; and,

FIG. 14 is a front perspective view thereof.

The claimed design can be used, for example, as a plug-in timer.

The broken lines show unclaimed subject matter only and form no part of the claimed design.

1 Claim, 9 Drawing Sheets



US D640,640 S

U.S. PATENT DOCUMENTS

4,002,925	A	1/1977	Monahan	
4,112,313	A	9/1978	Kutin	
4,194,182	A	3/1980	Martin	
4,336,464	A	6/1982	Weber	
4,338,562	A	7/1982	Terwilliger	
4,349,748	A	9/1982	Goldstein et al.	
4,360,739	A	11/1982	Goldstein	
4,368,408	A	1/1983	Marcus	
4,422,018	A	12/1983	Bailey	
4,439,688	A	3/1984	Schornack	
D273,488	S	4/1984	Rosenbaum et al.	
D273,581	S	4/1984	Rosenbaum et al.	
4,440,503	A	4/1984	Arichi et al.	
4,494,012	A	1/1985	Coker	
RE31,848	E	3/1985	Nilssen	
4,533,972	A	8/1985	Ohashi	
D285,419	S	9/1986	Schwartz	
4,668,878	A	5/1987	Wyss	
4,712,019	A	12/1987	Nilssen	
4,777,384	A	10/1988	Altenhof et al.	
4,835,413	A	5/1989	Nilssen	
4,922,407	A	5/1990	Birk et al.	
4,950,913	A	8/1990	Kephart	
5,059,871	A	10/1991	Pearlman et al.	
5,063,355	A	11/1991	Sasaki et al.	
5,088,071	A	2/1992	Miyamoto et al.	
5,160,853	A	11/1992	Simon et al.	
5,191,265	A	3/1993	D'Aleo et al.	
5,258,656	A	11/1993	Pawlick	
D351,141	S *	10/1994	Van Akkeren et al.	D13/168
5,397,930	A	3/1995	Nilssen	
5,430,356	A	7/1995	Ference et al.	
5,508,878	A	4/1996	Pecore	
5,530,322	A	6/1996	Ference et al.	
D380,396	S	7/1997	Svarnias et al.	
D380,403	S	7/1997	Svarnias et al.	
5,650,716	A	7/1997	Kim	
5,662,213	A	9/1997	Kattler et al.	
D386,430	S	11/1997	Czerlanis et al.	
D389,073	S	1/1998	Schmidt et al.	
5,715,214	A	2/1998	Svarnias	
D402,902	S	12/1998	Chen	
D402,903	S	12/1998	Chen	
D406,775	S	3/1999	Kadono	
D408,303	S	4/1999	Janda et al.	
D409,505	S	5/1999	Janda et al.	
6,011,755	A	1/2000	Mulhall et al.	
6,046,550	A	4/2000	Ference et al.	
D429,829	S *	8/2000	Doran	D26/26
D431,199	S *	9/2000	Bennett et al.	D10/50
6,121,889	A	9/2000	Janda et al.	
6,262,496	B1	7/2001	Lamar et al.	
6,262,497	B1	7/2001	Muroi et al.	
D449,235	S	10/2001	Stekelenburg	
D449,541	S	10/2001	Stekelenburg	
D450,305	S *	11/2001	Masuzoe et al.	D13/168
D450,604	S	11/2001	Stekelenburg	
D451,891	S *	12/2001	Noonan et al.	D13/168
6,340,868	B1	1/2002	Lys et al.	
D455,359	S	4/2002	Stekelenburg	
6,388,952	B2	5/2002	Kim	
6,429,549	B1	8/2002	Muroi et al.	
D464,577	S	10/2002	Timmer et al.	
D467,821	S	12/2002	Ogawa	
D484,817	S	1/2004	Stekelenburg	
6,761,470	B2	7/2004	Sid	
D500,686	S	1/2005	Stekelenburg	
D500,687	S	1/2005	Morrison et al.	
6,903,284	B2	6/2005	Dunfield et al.	
6,917,167	B2	7/2005	Courtney et al.	
6,933,686	B1	8/2005	Bishel	
D518,395	S	4/2006	Yamada	
7,111,952	B2	9/2006	Veskovic	
D530,339	S	10/2006	Hernandez et al.	
D534,875	S	1/2007	Wu	

7,166,970	B2	1/2007	Johnson et al.	
7,251,142	B2	7/2007	Lui	
D563,368	S *	3/2008	Moon	D14/138 AD
7,386,424	B2	6/2008	DeBoer et al.	
D576,565	S	9/2008	Chou et al.	
D576,566	S	9/2008	Wu et al.	
D585,075	S	1/2009	Flynt et al.	
D598,396	S *	8/2009	Lee	D13/162
D610,556	S *	2/2010	Drenth et al.	D13/173
D611,005	S *	3/2010	Lanfear et al.	D13/162
D611,006	S *	3/2010	Lanfear et al.	D13/162
D611,845	S *	3/2010	Sadler et al.	D10/53
D618,833	S *	6/2010	Wei	D26/26
D621,372	S *	8/2010	Won et al.	D13/168
2004/0002792	A1	1/2004	Hoffknecht	
2005/0023118	A1	2/2005	Dunfield et al.	
2005/0110416	A1	5/2005	Veskovic	
2006/0125324	A1	6/2006	Lai Lui	
2006/0146652	A1	7/2006	Huizi et al.	
2007/0097793	A1	5/2007	Nguy et al.	
2007/0193863	A1	8/2007	Wu	
2008/0061633	A1	3/2008	Blair et al.	
2008/0077360	A1	3/2008	DeBoer et al.	
2009/0213698	A1	8/2009	Ostrovsky et al.	

FOREIGN PATENT DOCUMENTS

EP	0167848	B1	8/1988
EP	0156864	B1	11/1988
EP	0316913	A2	5/1989
EP	0376409	A2	7/1990
EP	0141655	B1	2/1991
EP	0259639	B1	2/1991
EP	0394654	B1	2/1993
EP	0745914	B1	3/1999
EP	0730209	B1	4/1999
EP	1734795	A1	12/2006
WO	8102808	A1	10/1981
WO	2004086195	A2	10/2004
WO	2006074118	A2	7/2006

OTHER PUBLICATIONS

DT121C Digital Plug In Timer, Product Fact Sheet, Intermatic Incorporated, Spring Grove, IL, Aug. 1, 2003.

Vizia-RF Scene Capable Plug-in Appliance and Lamp Dimming Modules, Leviton Manufacturing Co., Inc., Little Neck, NY, 2006, 4 pages.

Intermatic General Catalog, Indoor Plug-In Timers, Intermatic Incorporated, Spring Grove, IL, 2008, p. 178.

Model DT500CH Series Digital Timer, Installation and User Instructions, Intermatic Incorporated, Oct. 27, 2009, 4 pages.

Intermatic Model DT500CH Series Digital Timer, Installation and User Instructions, Aug. 12, 2009, Intermatic Incorporated, Spring Grove, Illinois, US.

Intermatic Model DT500CL Series Digital Timer, Installation and User Instructions, Aug. 12, 2009, Intermatic Incorporated, Spring Grove, Illinois, US.

6124H-W, Product Specifications/Info, 2007, Leviton Manufacturing Co., Inc., Melville, NY, US.

Leviton Residential Catalog, 2008, pp. 43-53, 76-77, 198-203 and 213-217, Leviton Manufacturing Co., Inc., Melville, NY, US.

Wireless Wall Switch Receiver and Self-Powered Remote Switch, 2008, Leviton Manufacturing Co., Inc., Melville, NY, US.

Wireless Sensing Solution, 2008, Leviton Manufacturing Co., Inc., Melville, NY, US.

Wireless Occupancy Sensor Products Installation Instructions, 2008, Leviton Manufacturing Co., Inc., Melville, NY, US.

Intermatic Model DT500CH Series Digital Timer, Installation and User Instructions, Jun. 4, 2009, Intermatic Incorporated, Spring Grove, Illinois, US.

Intermatic Model DT500CL Series Digital Timer, Installation and User Instructions, Jun. 4, 2009, Intermatic Incorporated, Spring Grove, Illinois, US.

* cited by examiner

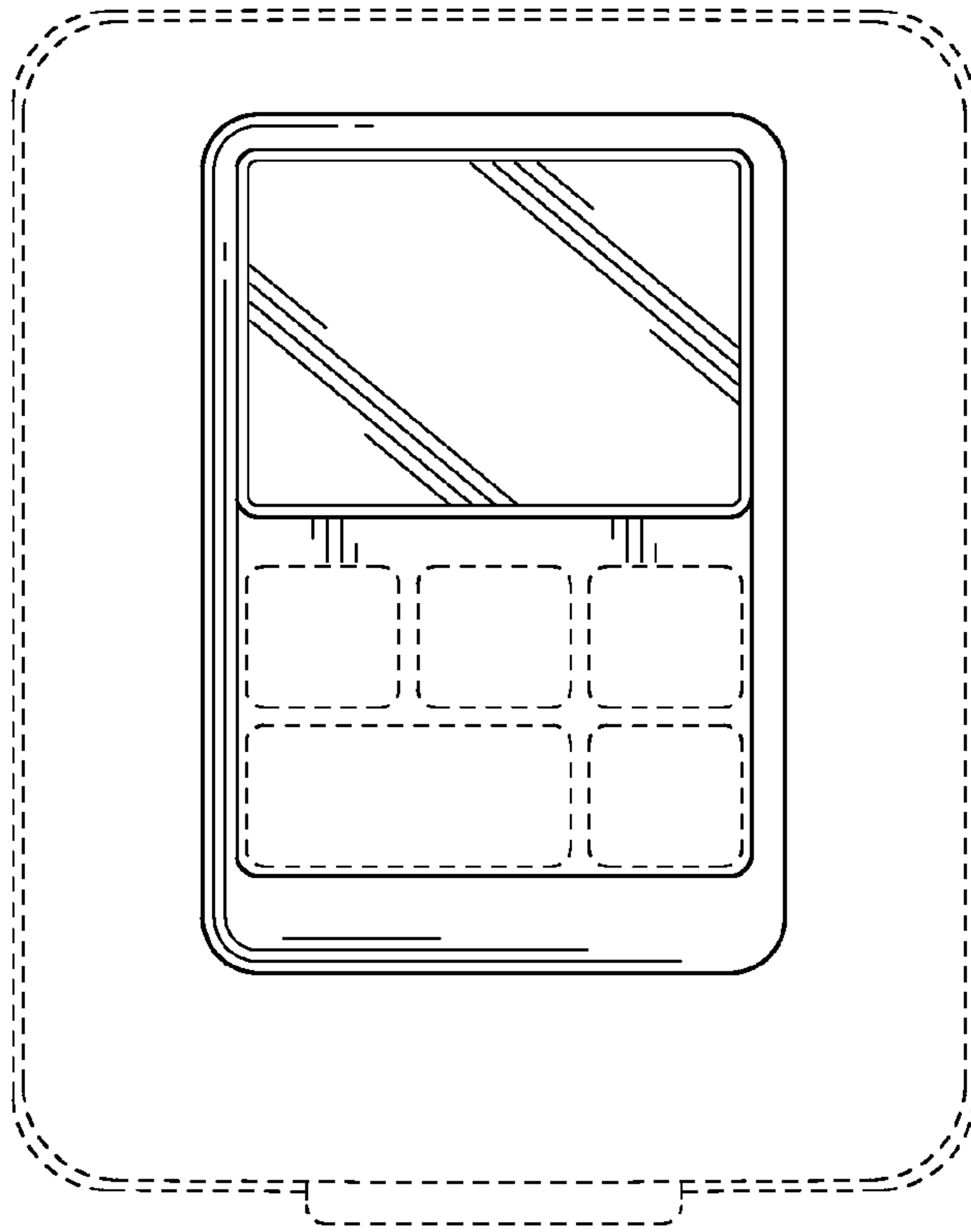


FIG. 1

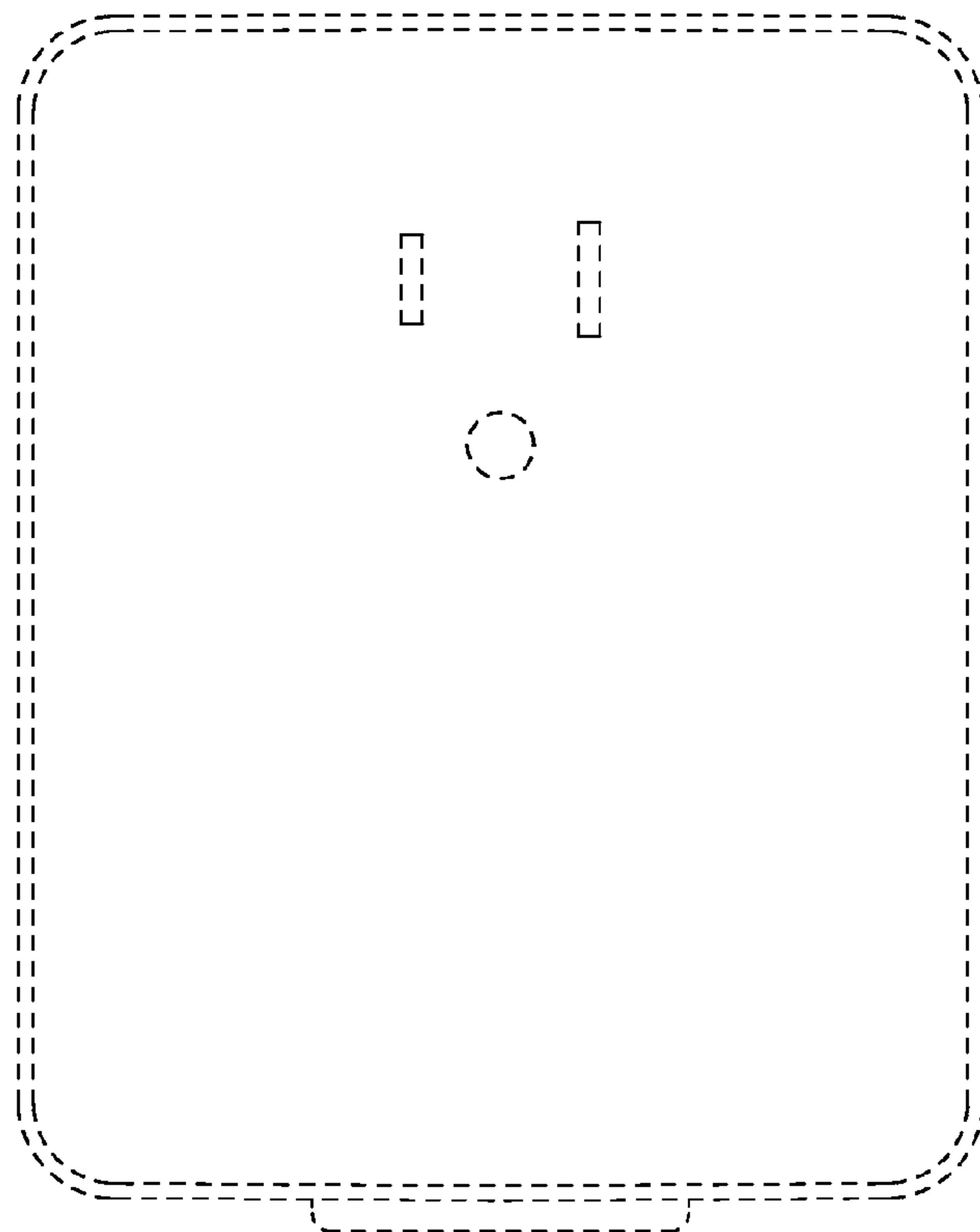


FIG. 2

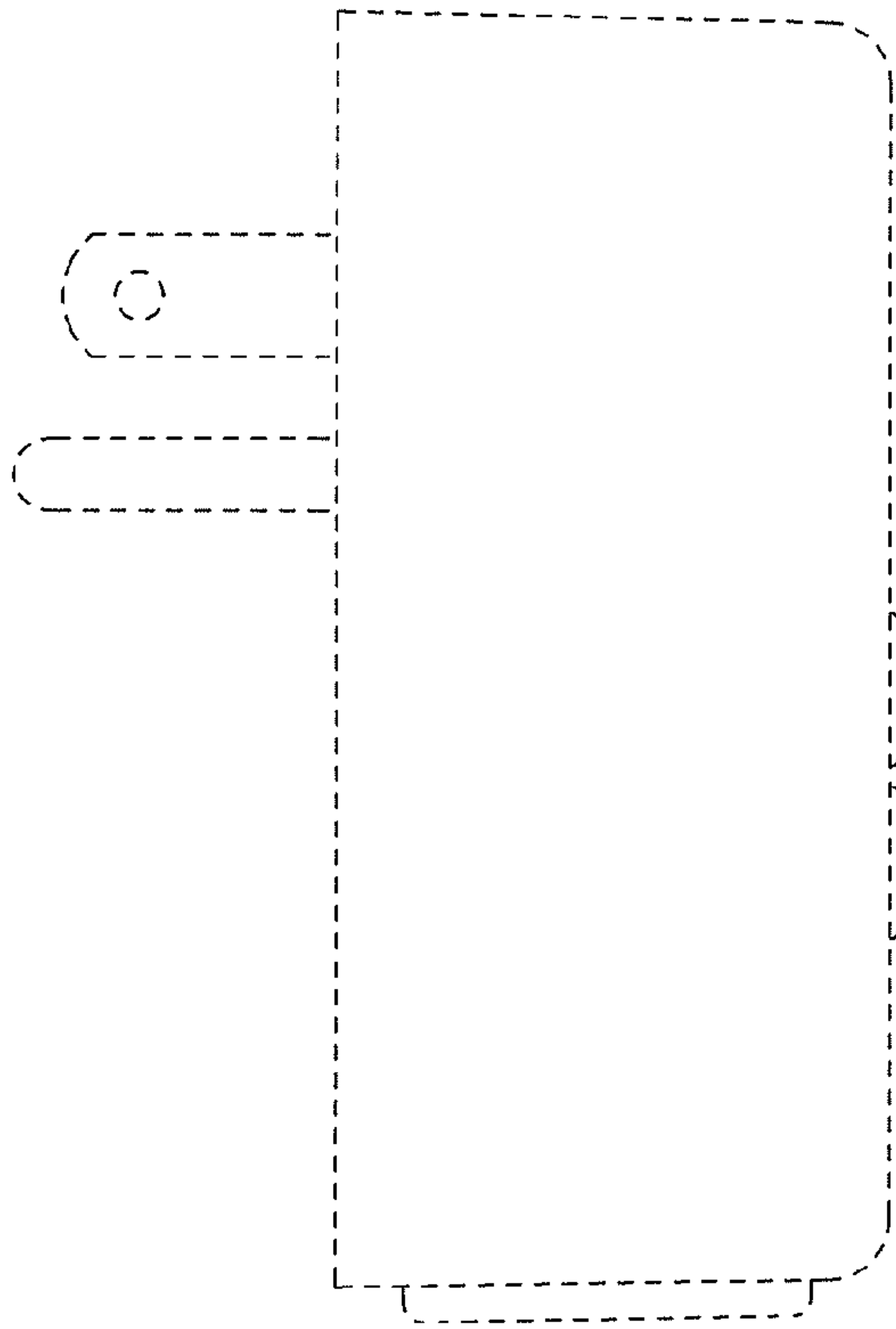


FIG.3

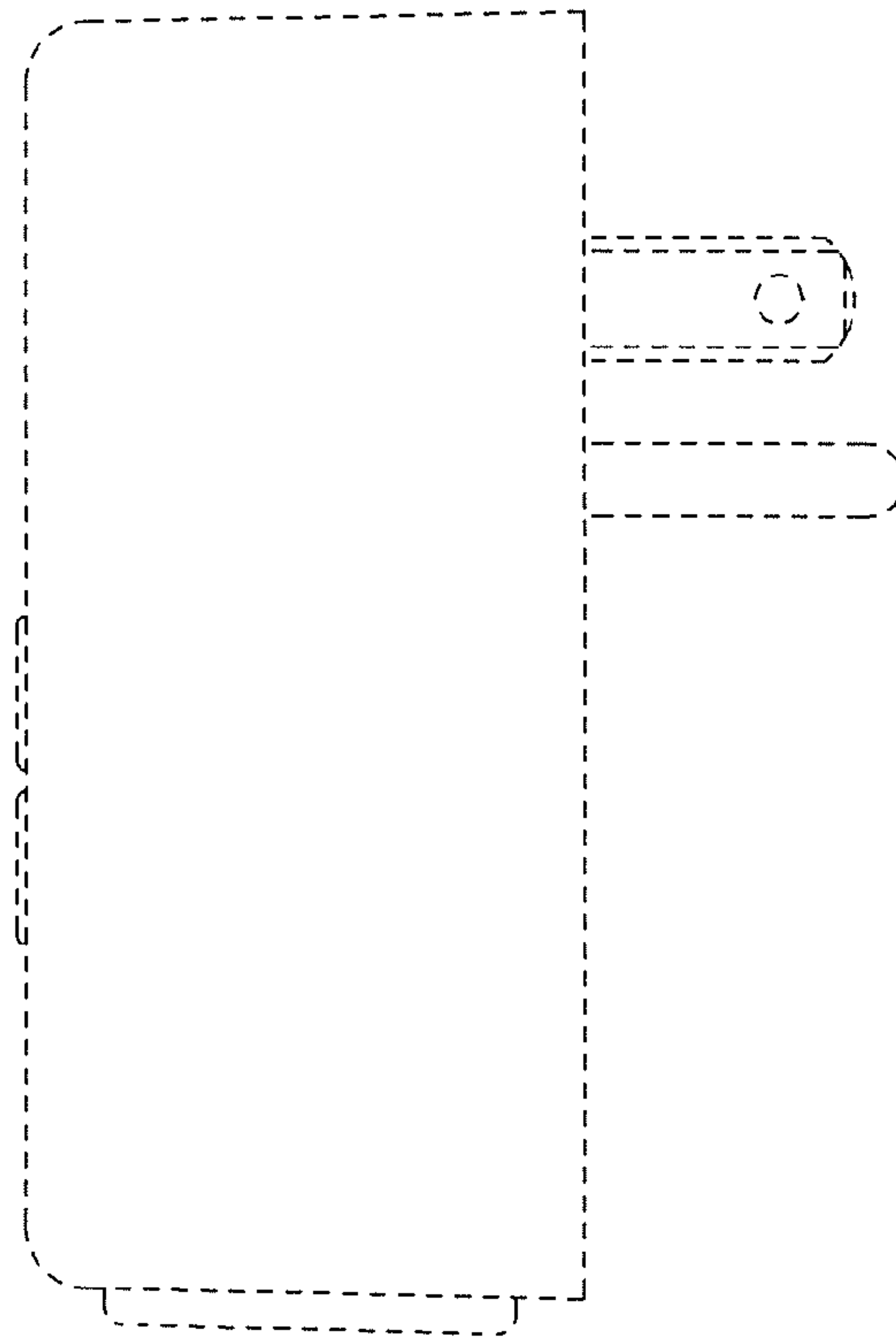


FIG.4

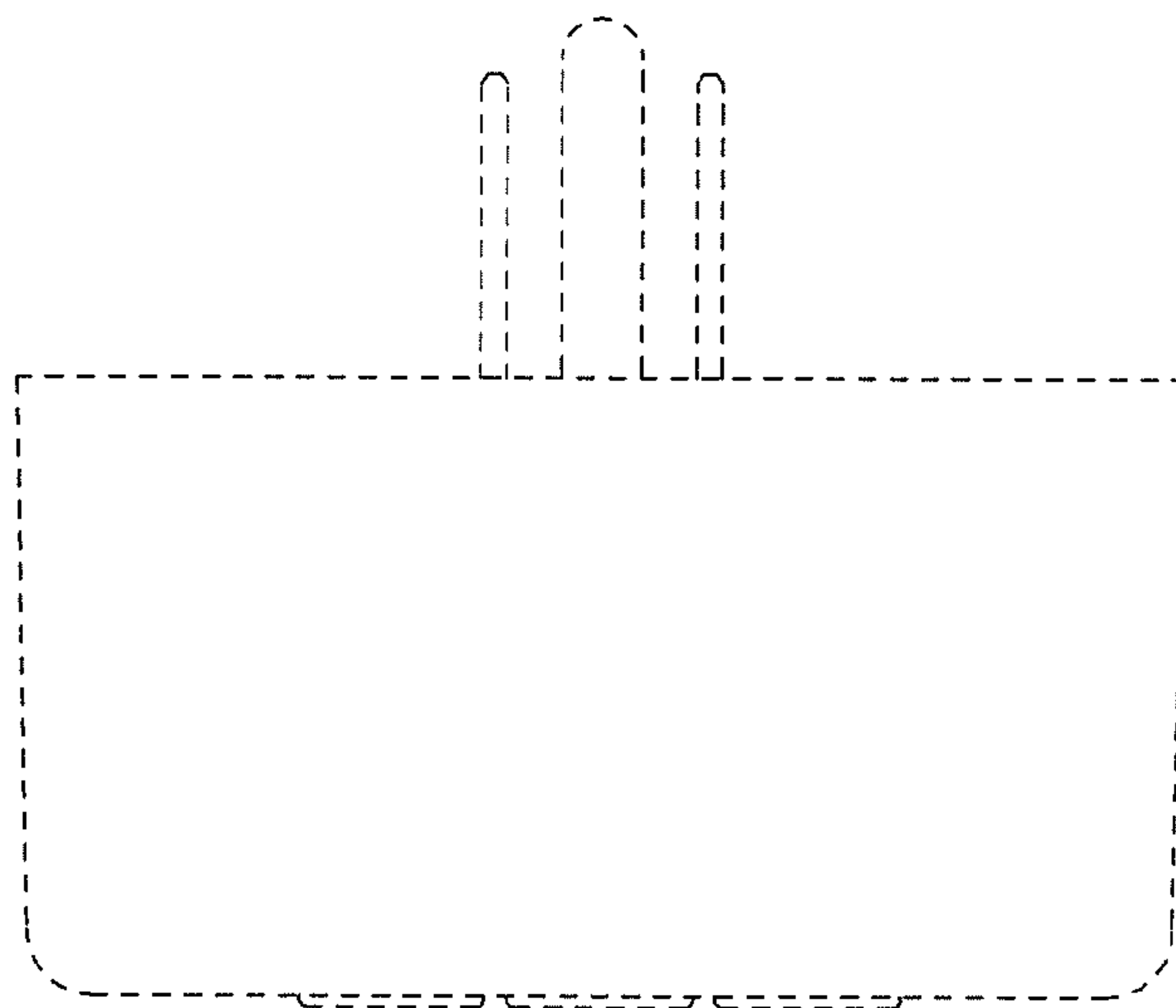


FIG.5

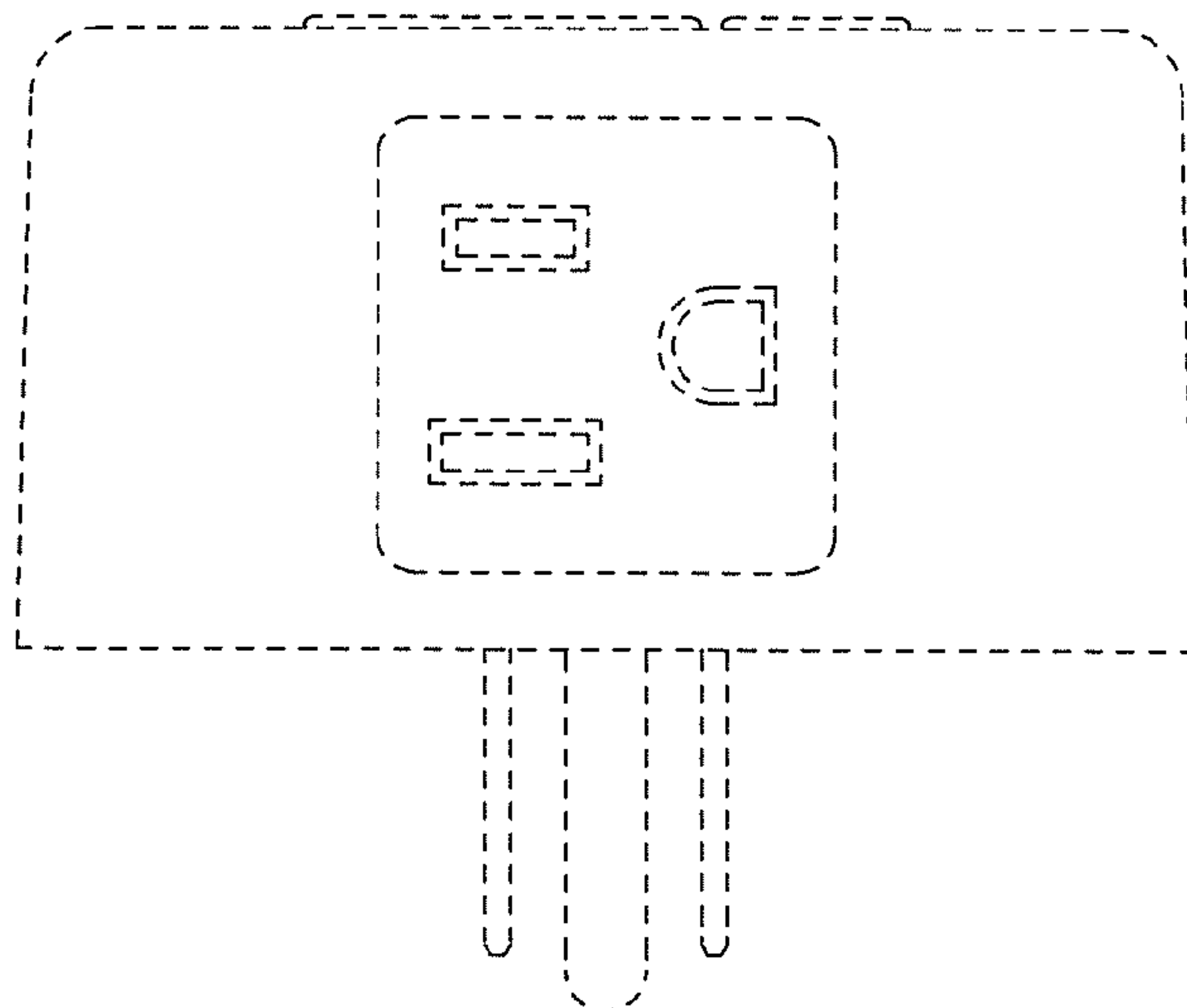


FIG.6

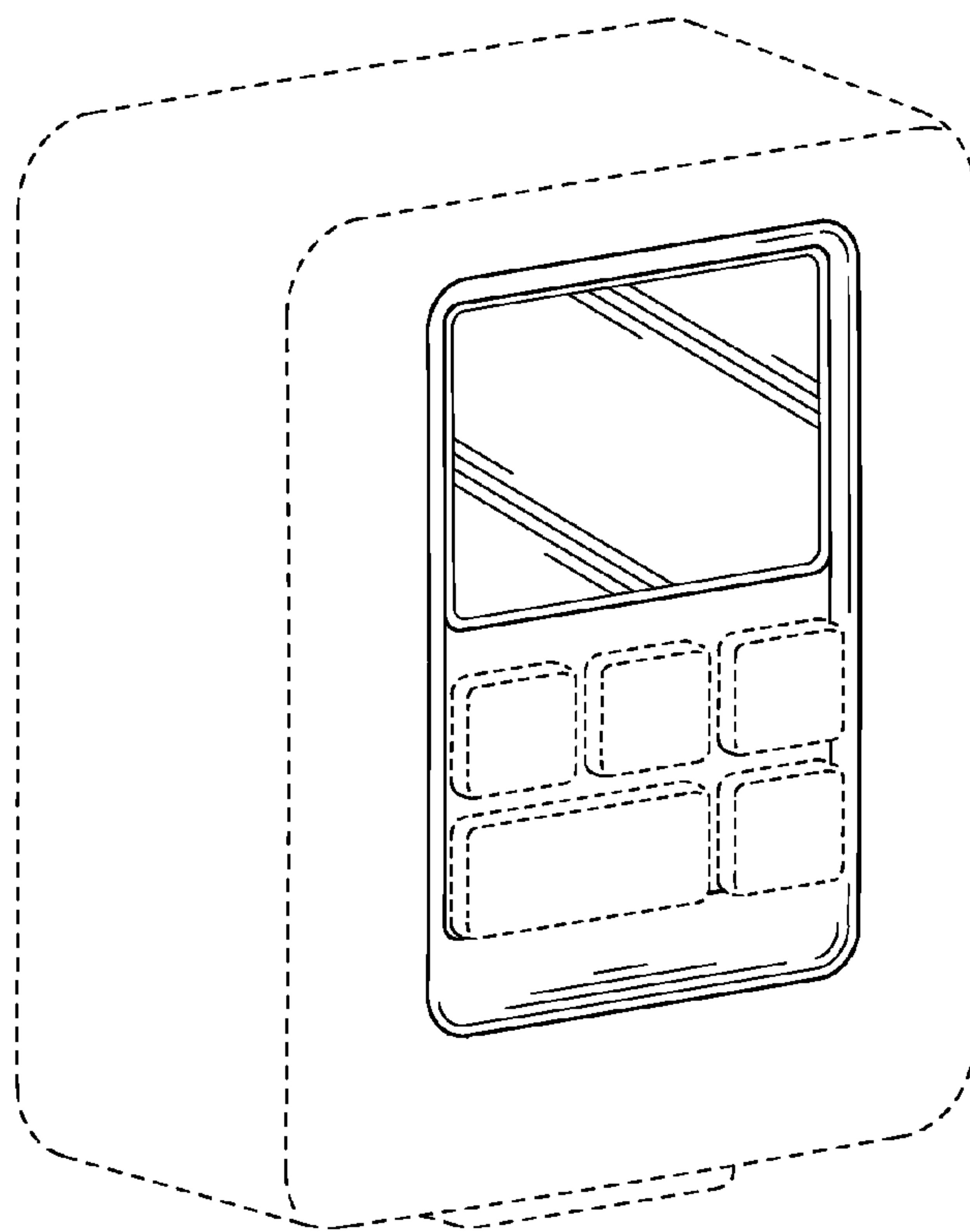


FIG. 7

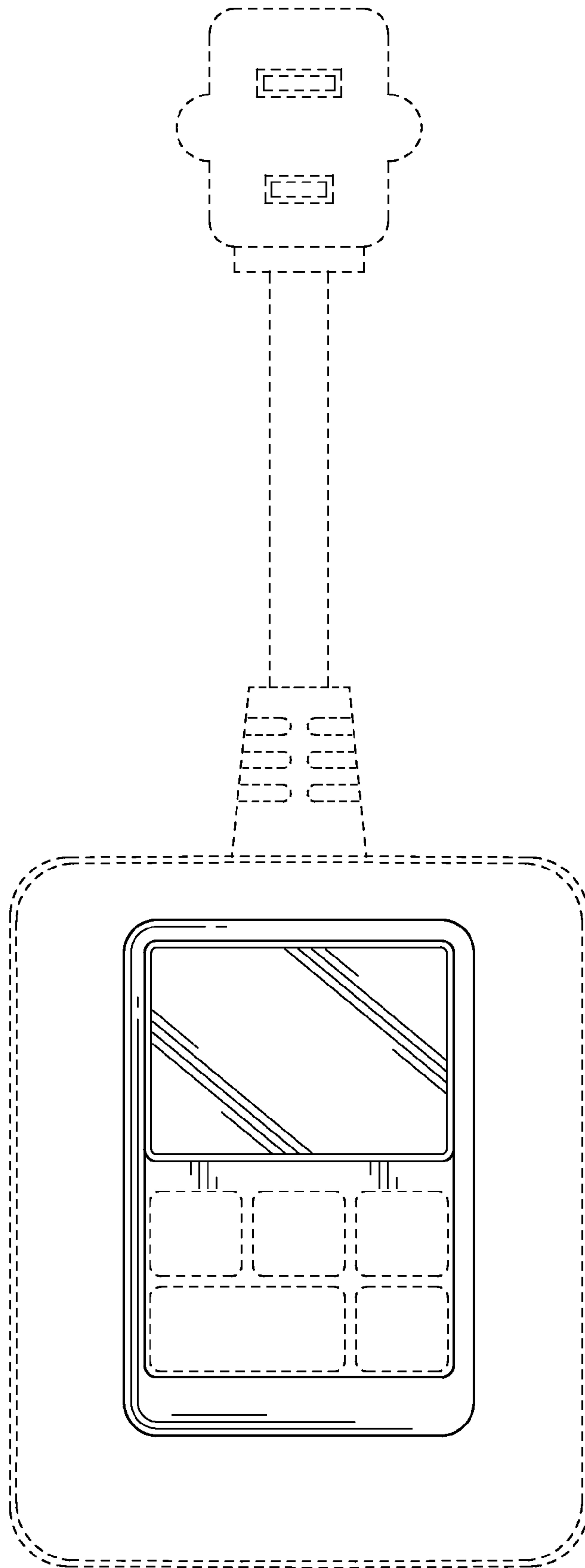


FIG. 8

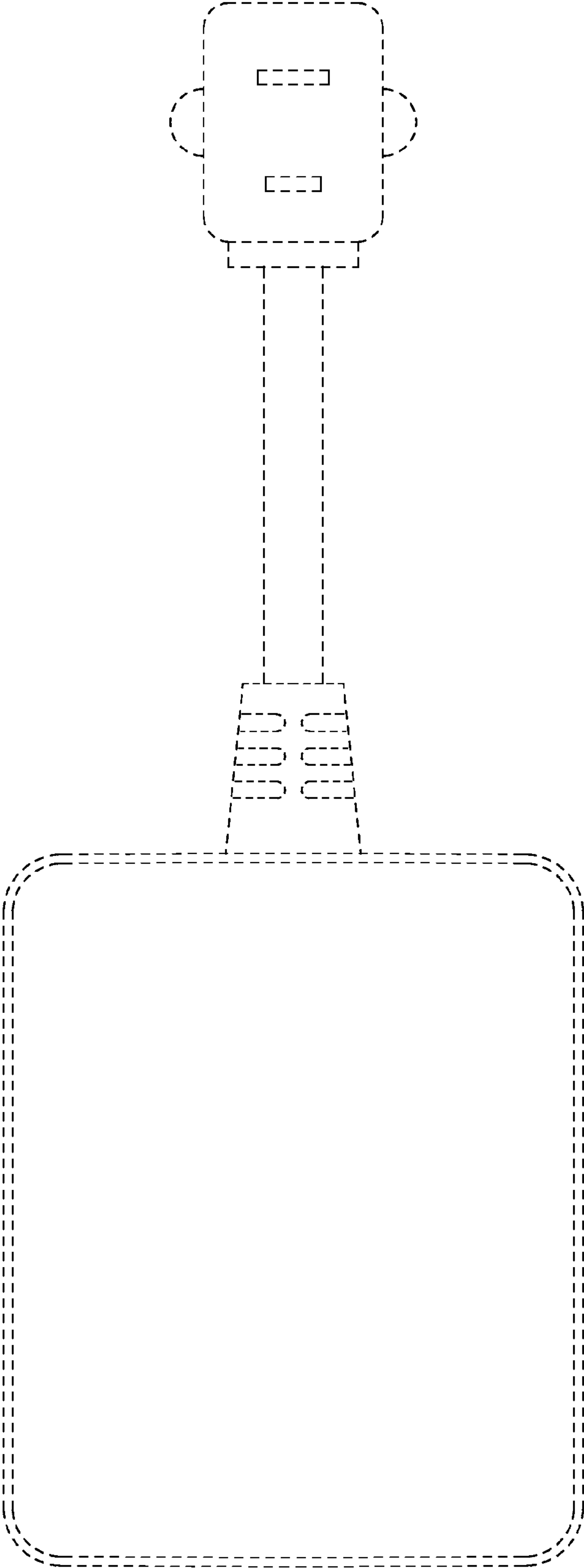


FIG.9

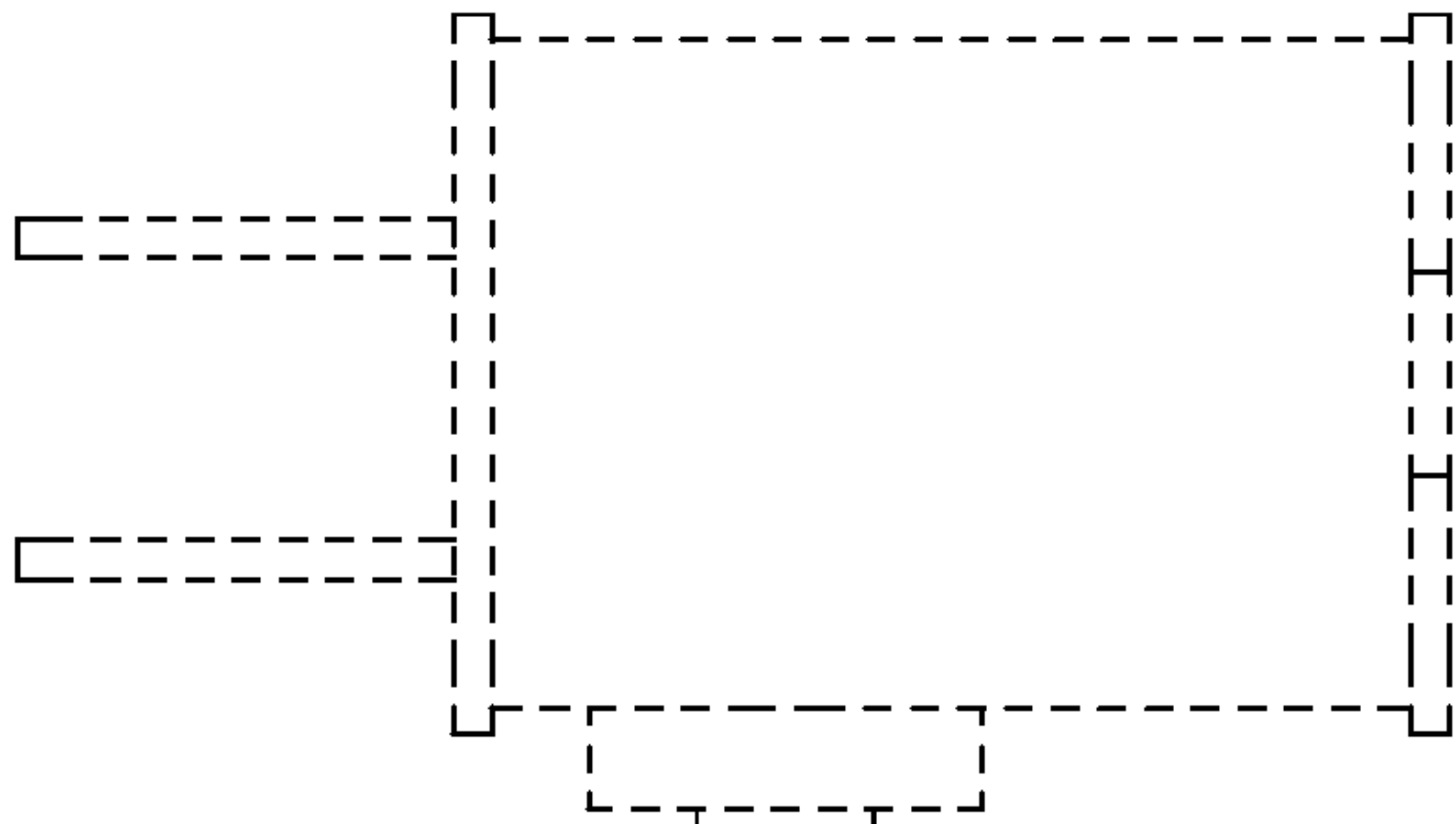


FIG. 10

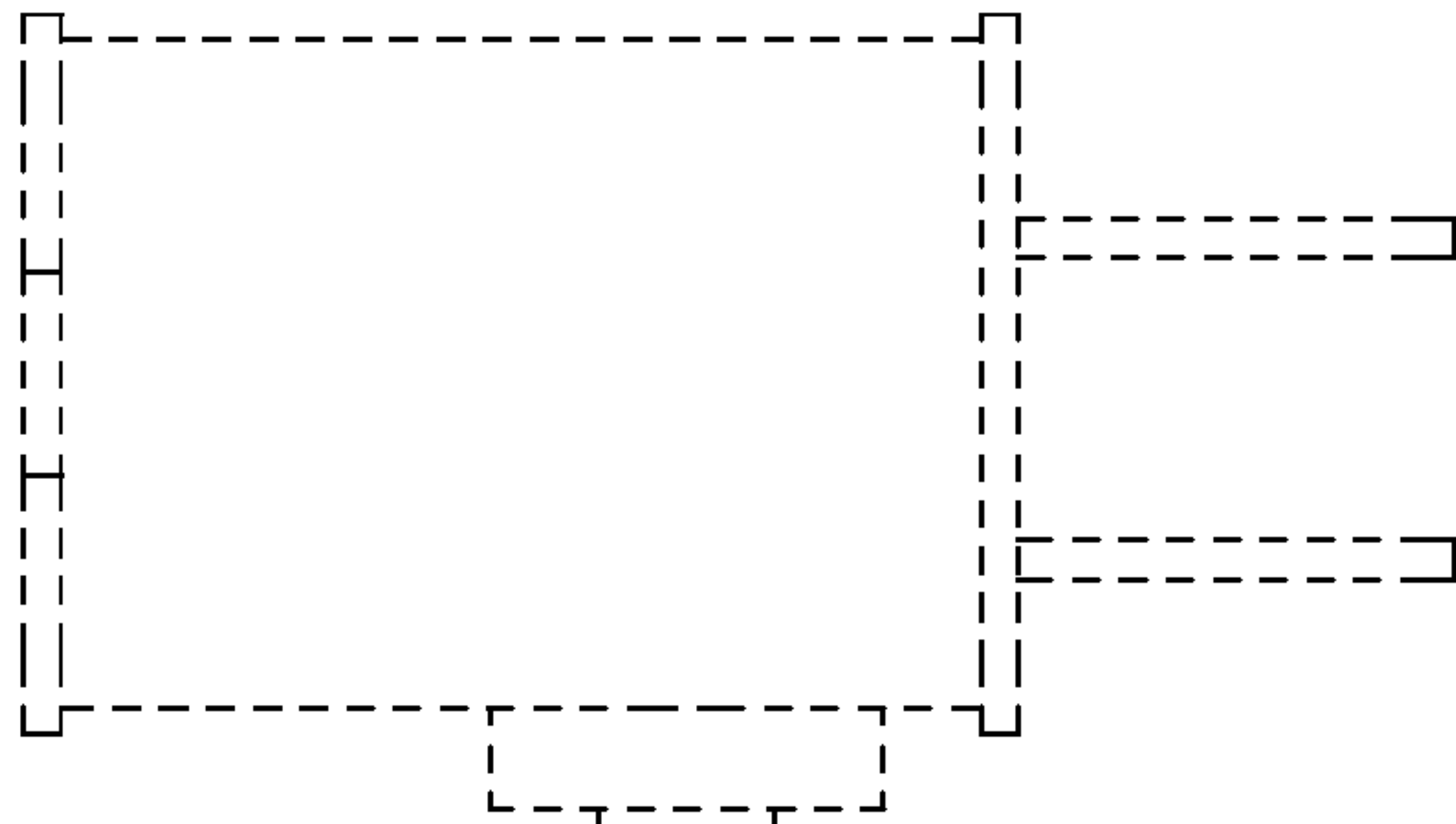
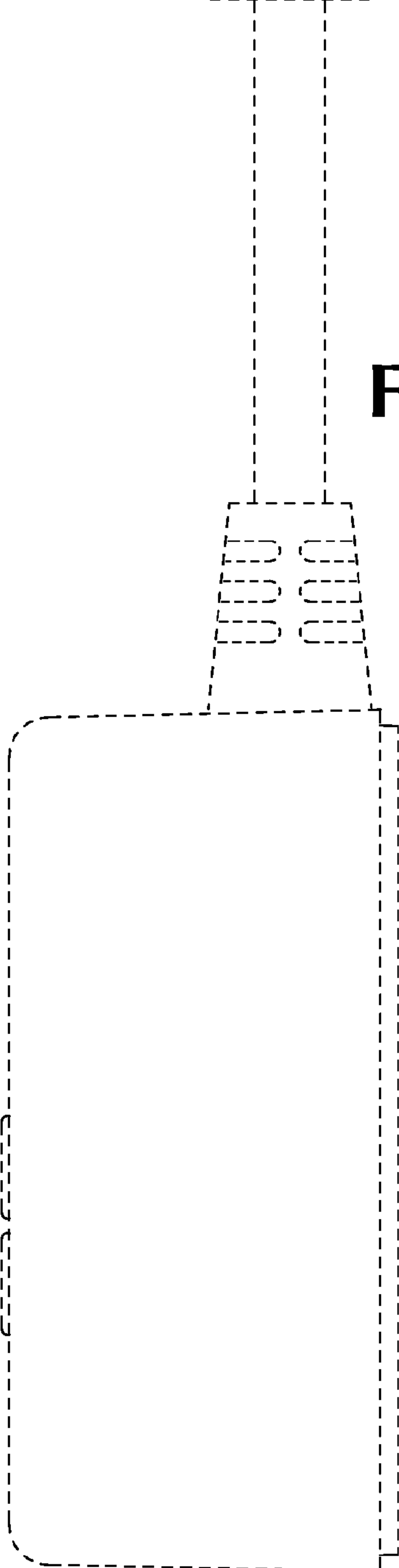
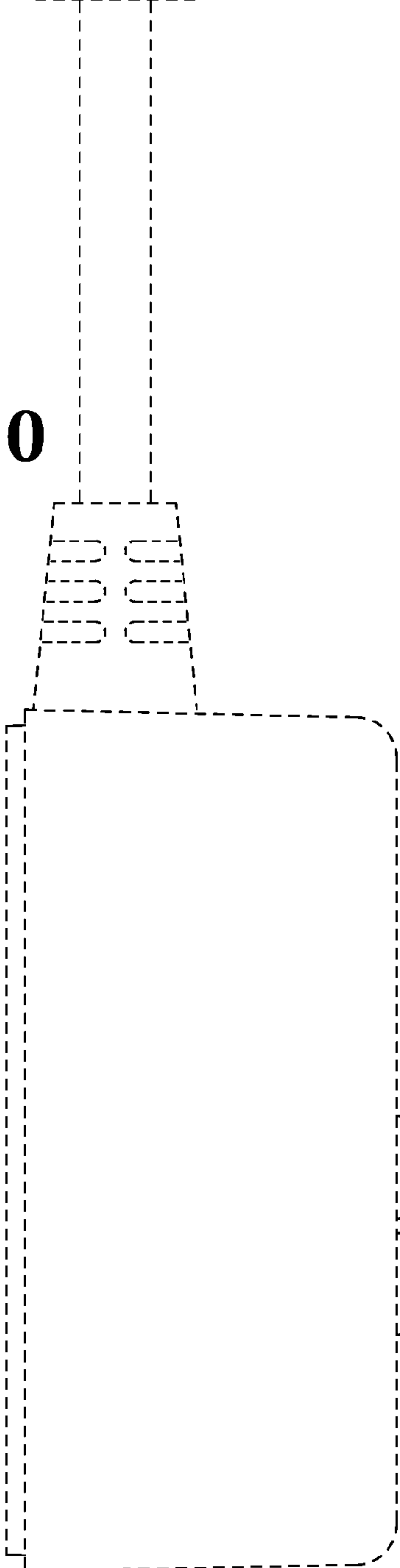


FIG. 11



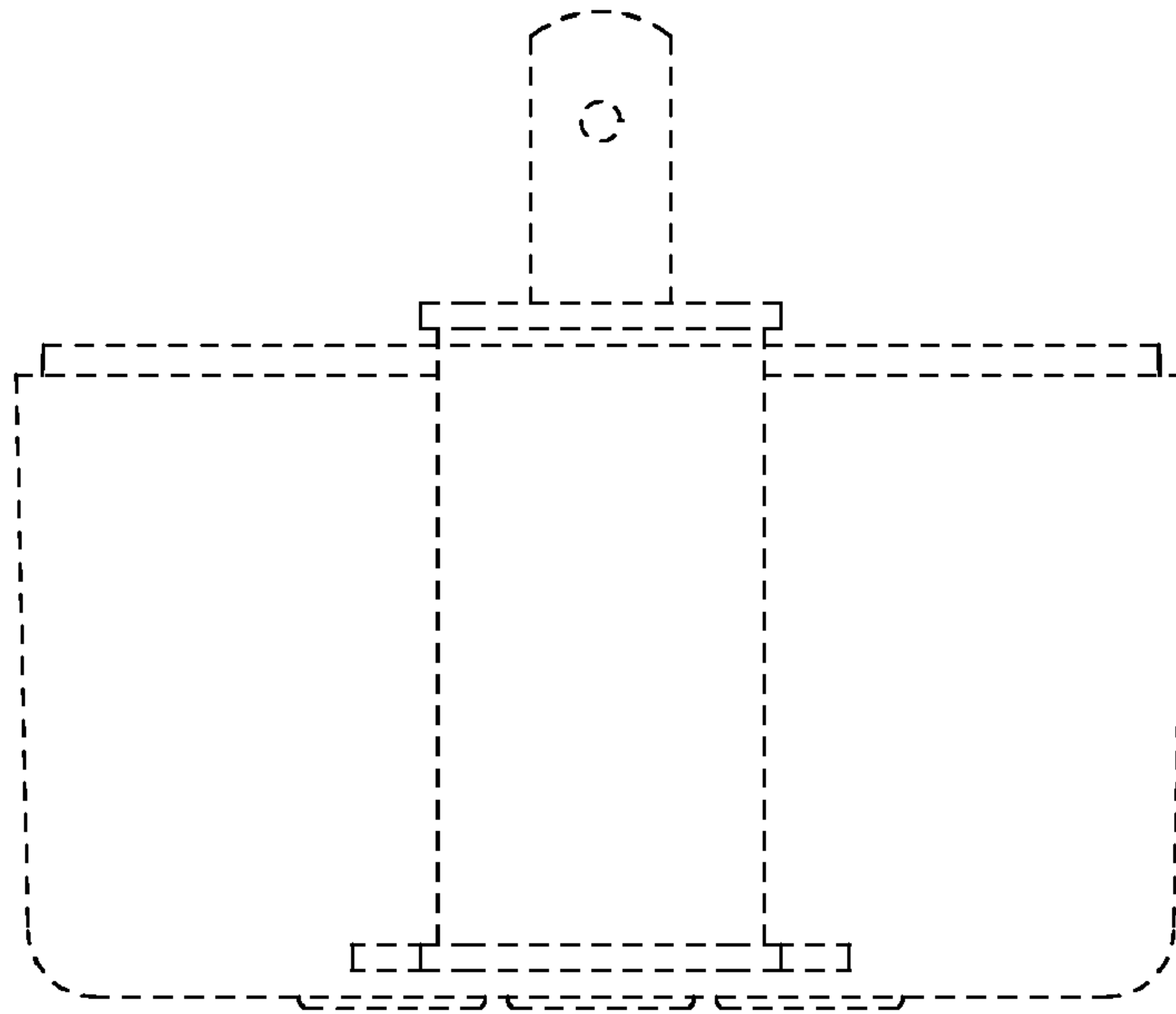


FIG. 12

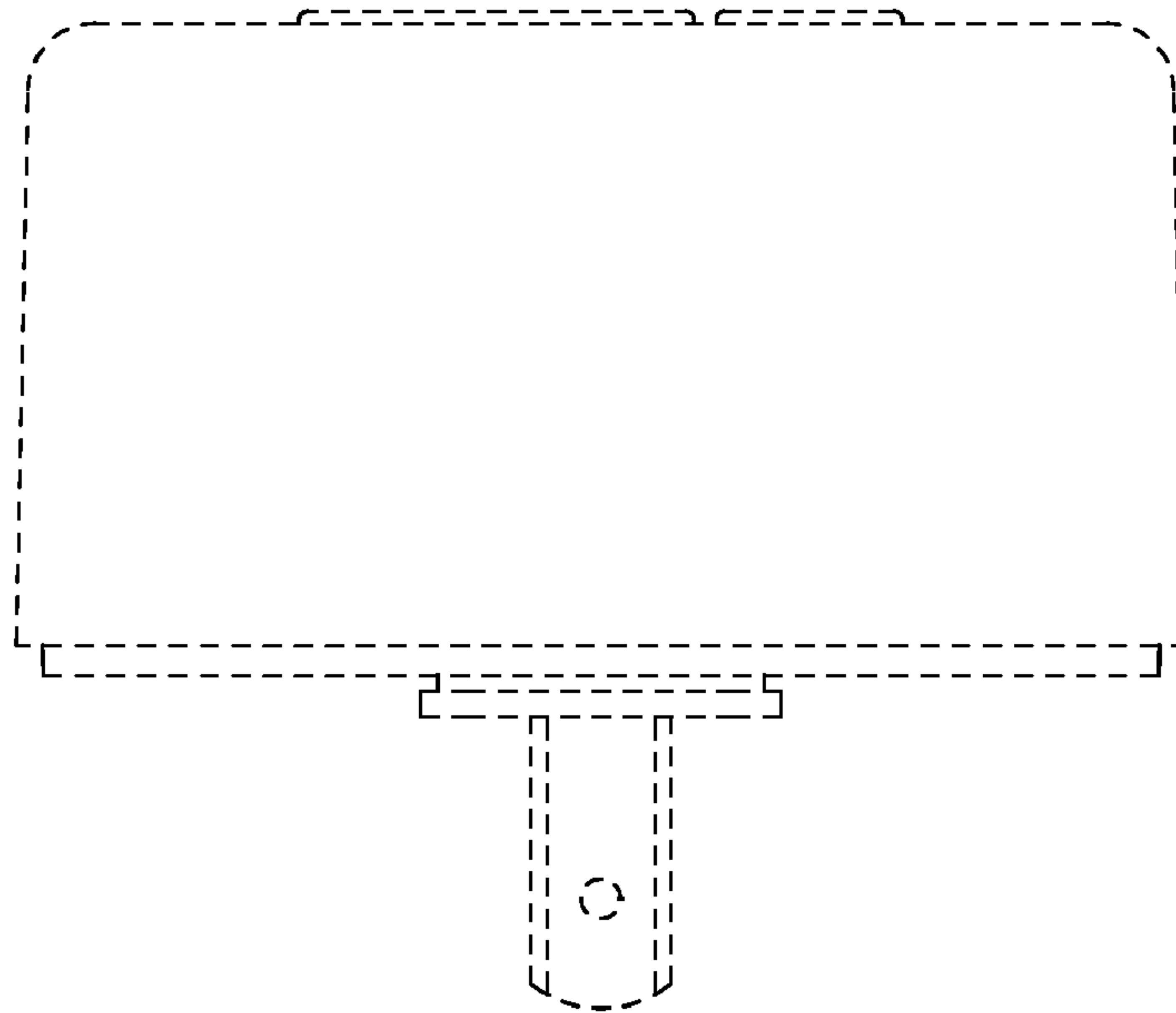


FIG. 13

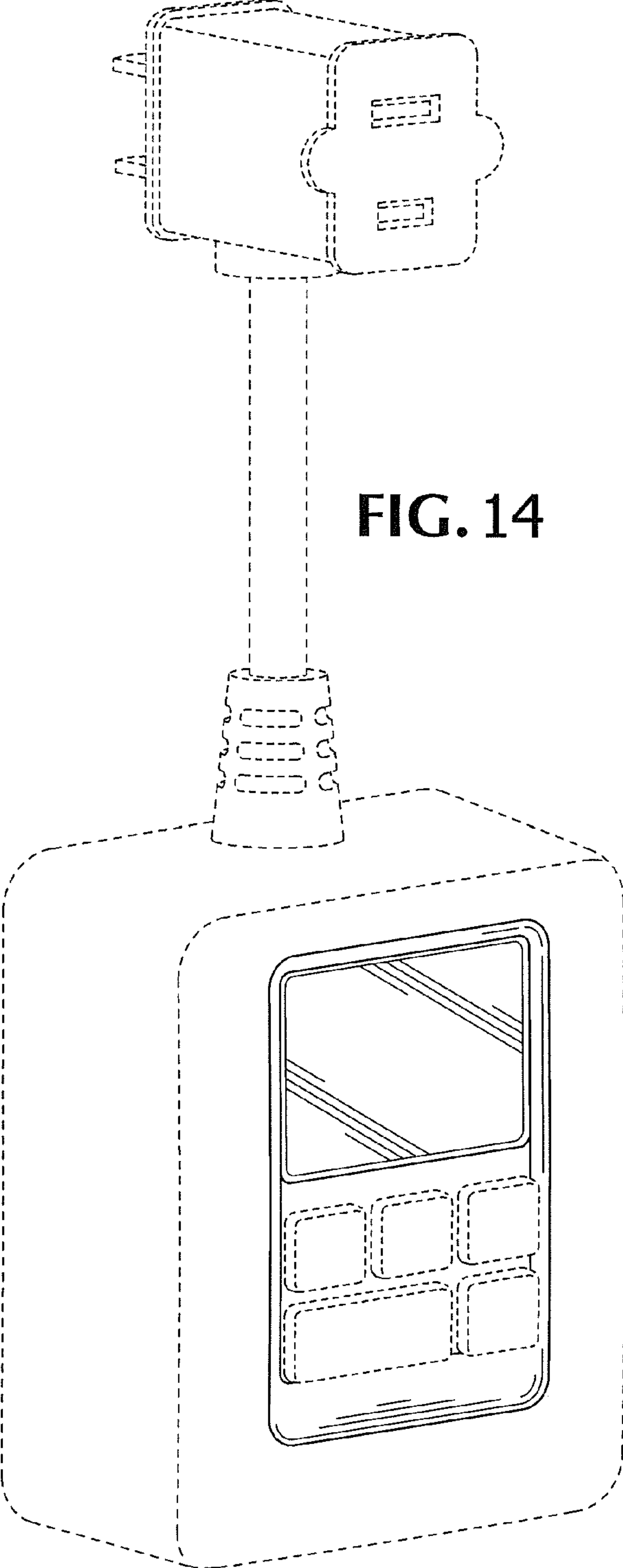


FIG. 14