



US00D640639S

(12) **United States Design Patent**
Gravolin et al.

(10) **Patent No.:** **US D640,639 S**

(45) **Date of Patent:** **** Jun. 28, 2011**

(54) **PROTECTIVE COVER ASSEMBLY**

(76) Inventors: **Dennis Ronald Gravolin**, Maclean (AU); **Sandra Lorraine Gravolin**, Maclean (AU)

(**) Term: **14 Years**

(21) Appl. No.: **29/347,098**

(22) Filed: **Sep. 22, 2009**

(30) **Foreign Application Priority Data**

Mar. 24, 2009 (AU) 10982/2009

(51) **LOC (9) Cl.** **13-03**

(52) **U.S. Cl.** **D13/156; D13/133**

(58) **Field of Classification Search** D13/133,
D13/146-147, 154, 156, 184; 439/180, 252,
439/269.1, 278, 374, 378, 527, 529, 533,
439/892, 894, 901

See application file for complete search history.

(56) **References Cited**

U.S. PATENT DOCUMENTS

D287,238 S * 12/1986 Challans D13/133
D446,186 S * 8/2001 Corona D13/133

D502,919 S * 3/2005 Studnicky, III D13/146
D516,028 S * 2/2006 Deng D13/133
D524,736 S * 7/2006 Morita et al. D13/133
D619,536 S * 7/2010 Kato D13/147

* cited by examiner

Primary Examiner — Daniel Bui

(74) *Attorney, Agent, or Firm* — Shlesinger, Arkwright & Garvey LLP

(57) **CLAIM**

The ornamental design for a protective cover assembly, as shown and described.

DESCRIPTION

FIG. 1 is a perspective top side and rear end view of a protective cover assembly, showing our new design;
FIG. 2 is a perspective bottom side and front end view of our new design;
FIG. 3 is a top plan view of FIG. 1;
FIG. 4 is a bottom plan view of FIG. 1;
FIG. 5 is a right side view of FIG. 1;
FIG. 6 is rear end view of FIG. 1; and,
FIG. 7 is a front end view of FIG. 1.
The left side view of FIG. 1 is a mirror image of FIG. 5.

1 Claim, 3 Drawing Sheets

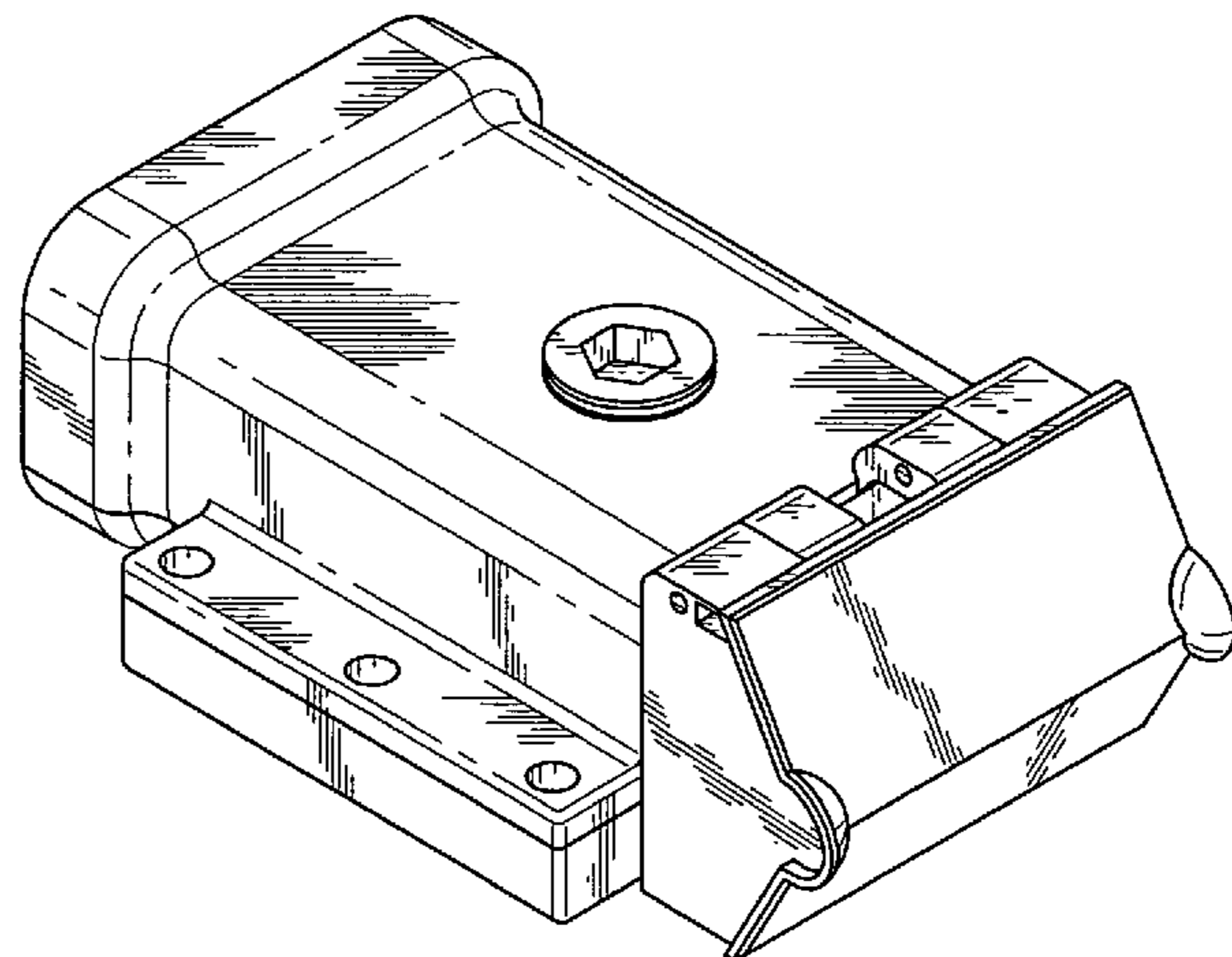
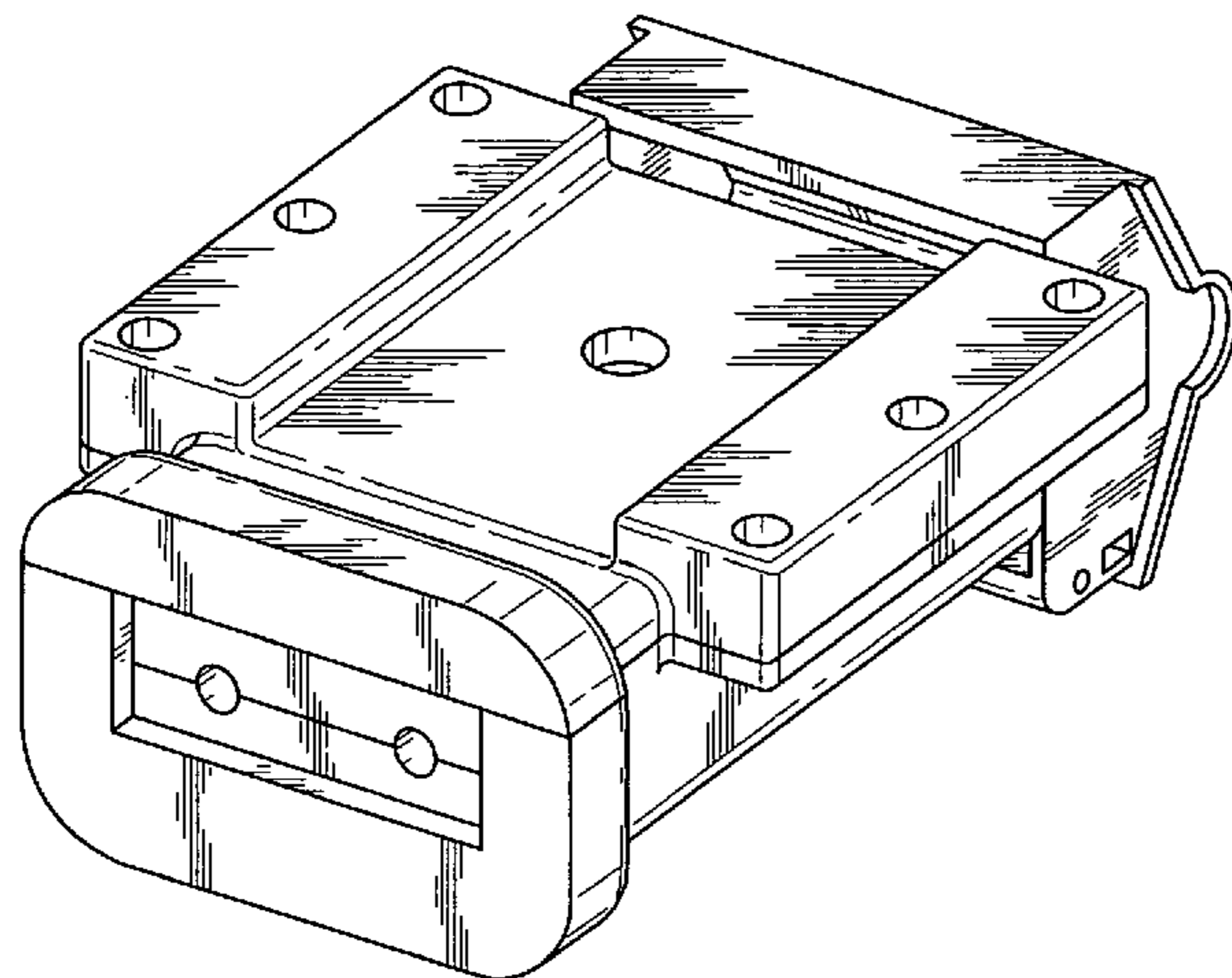


FIG. 1

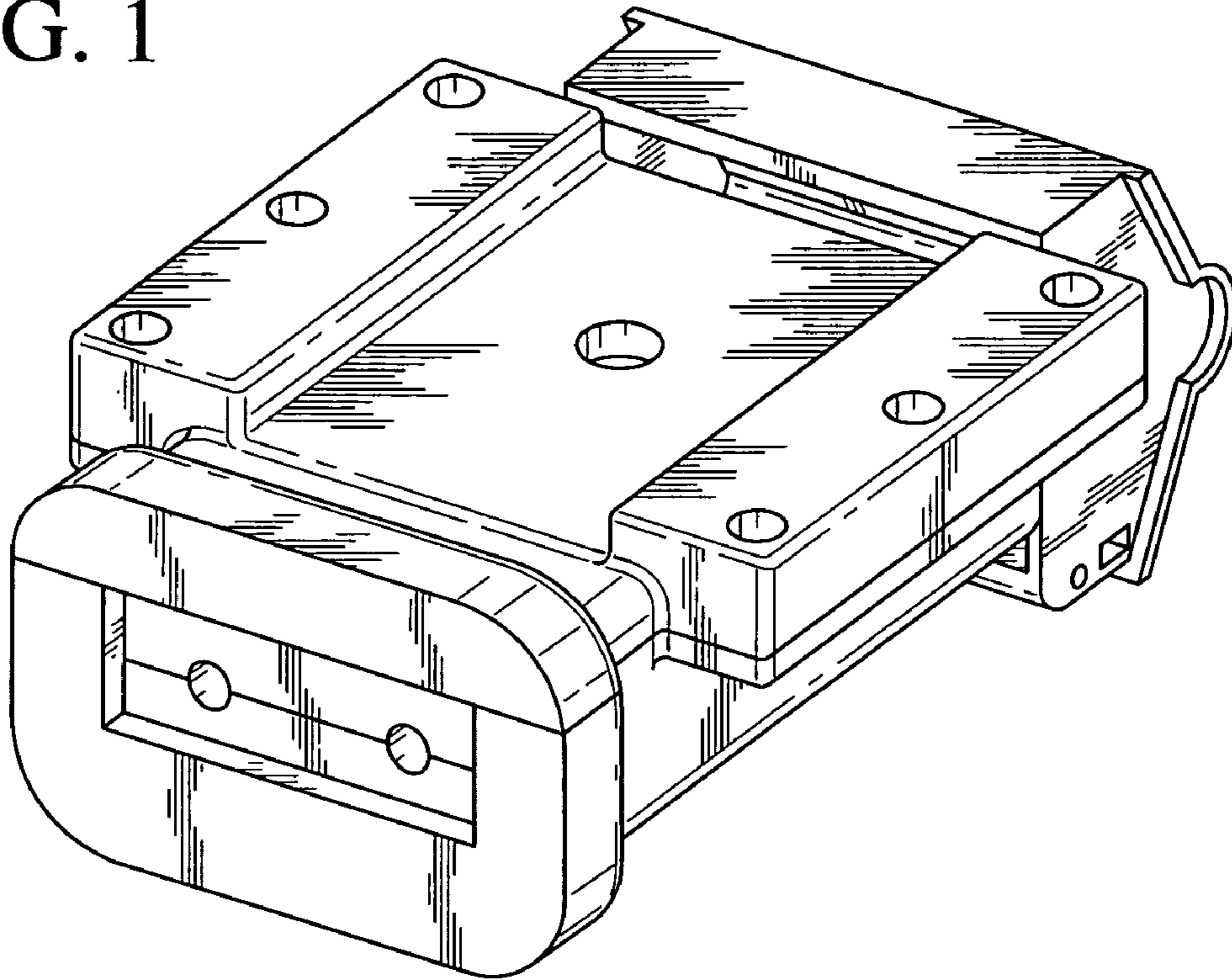
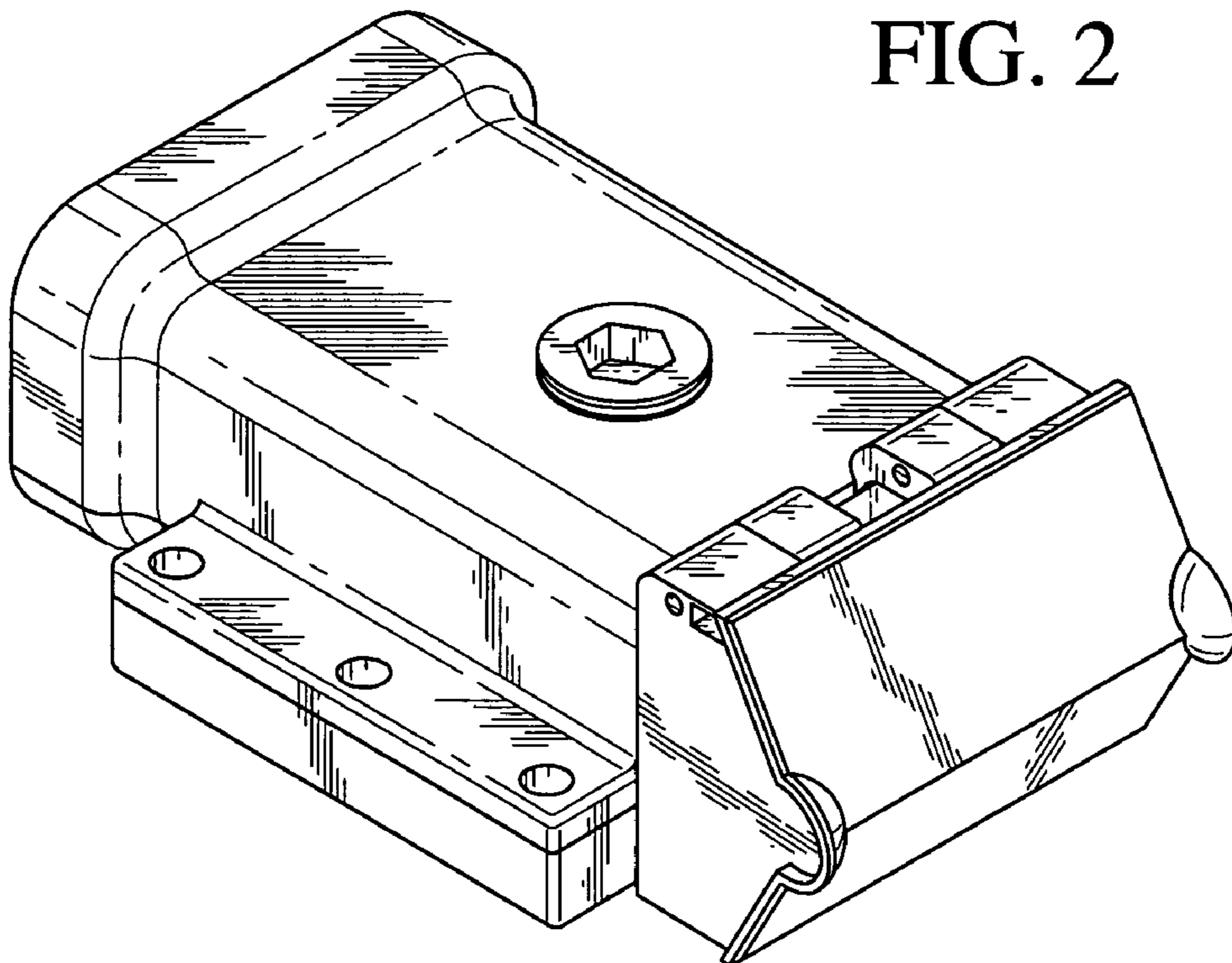


FIG. 2



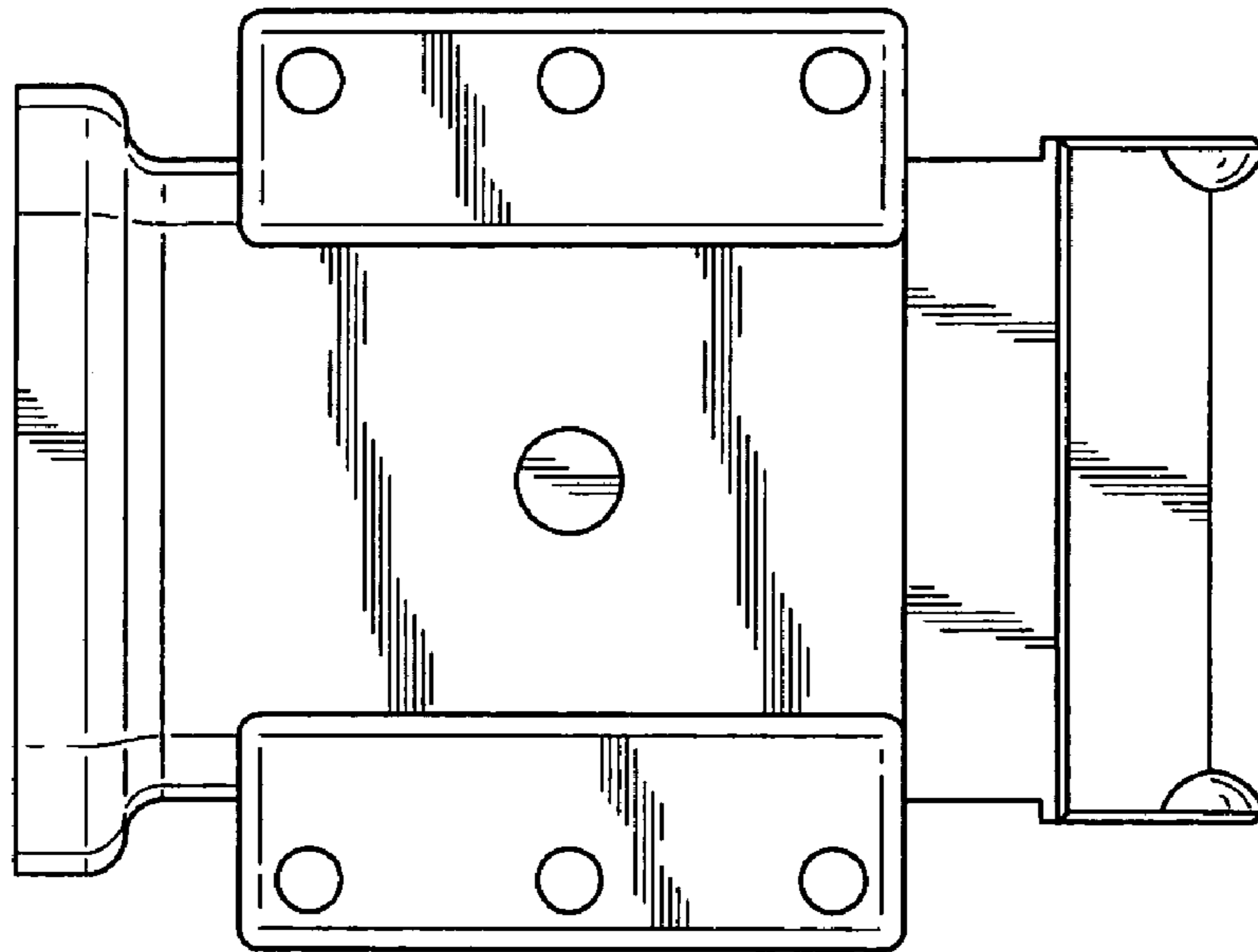


FIG. 3

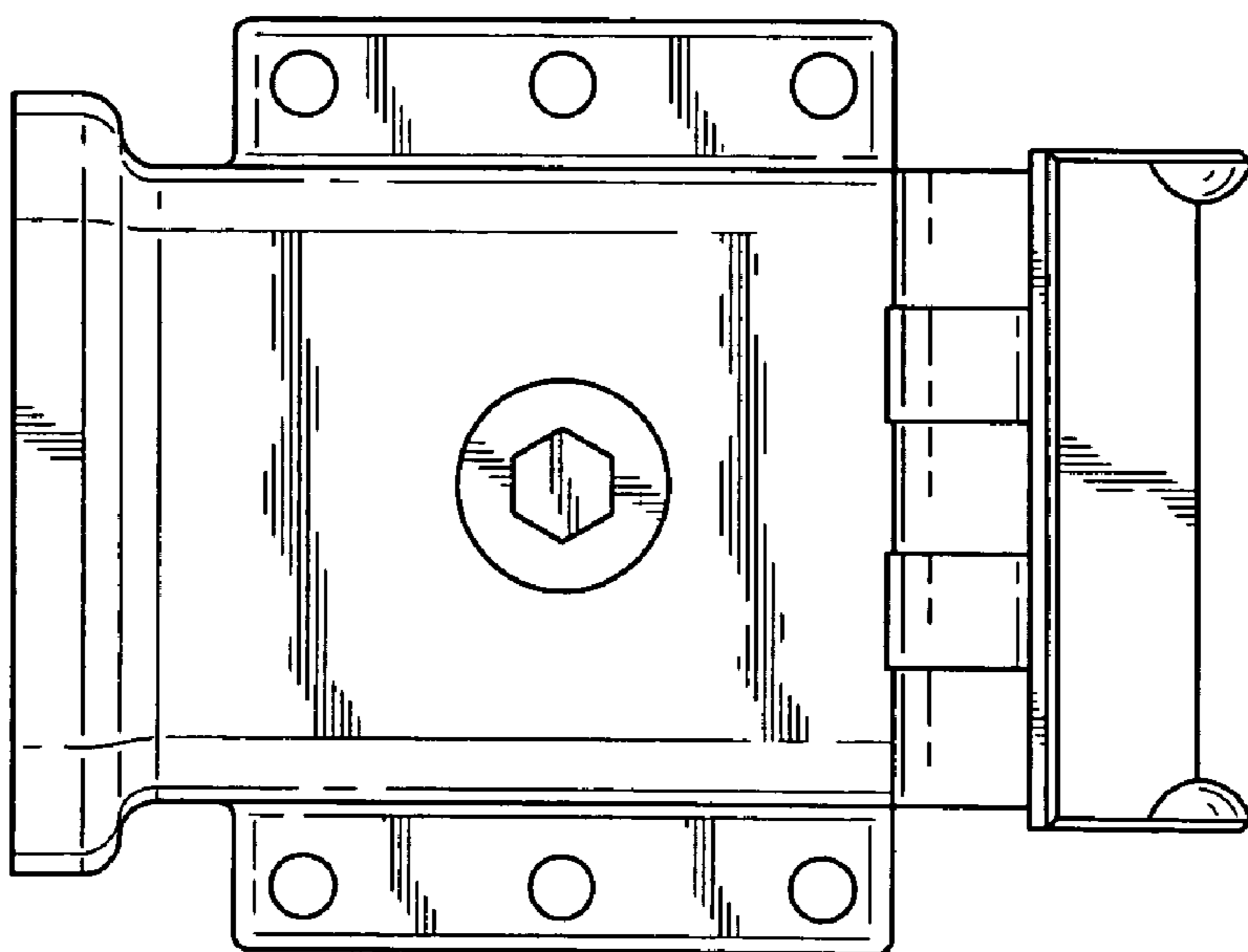


FIG. 4

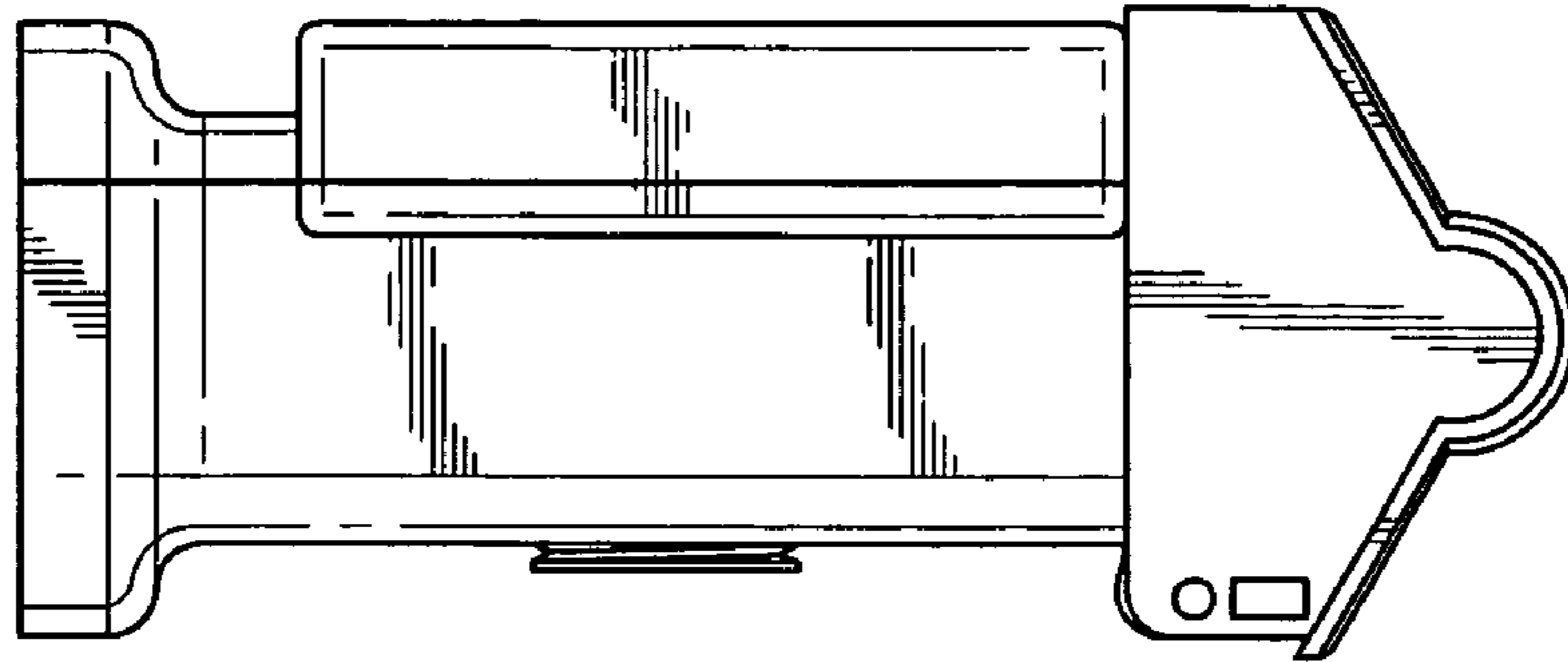


FIG. 5

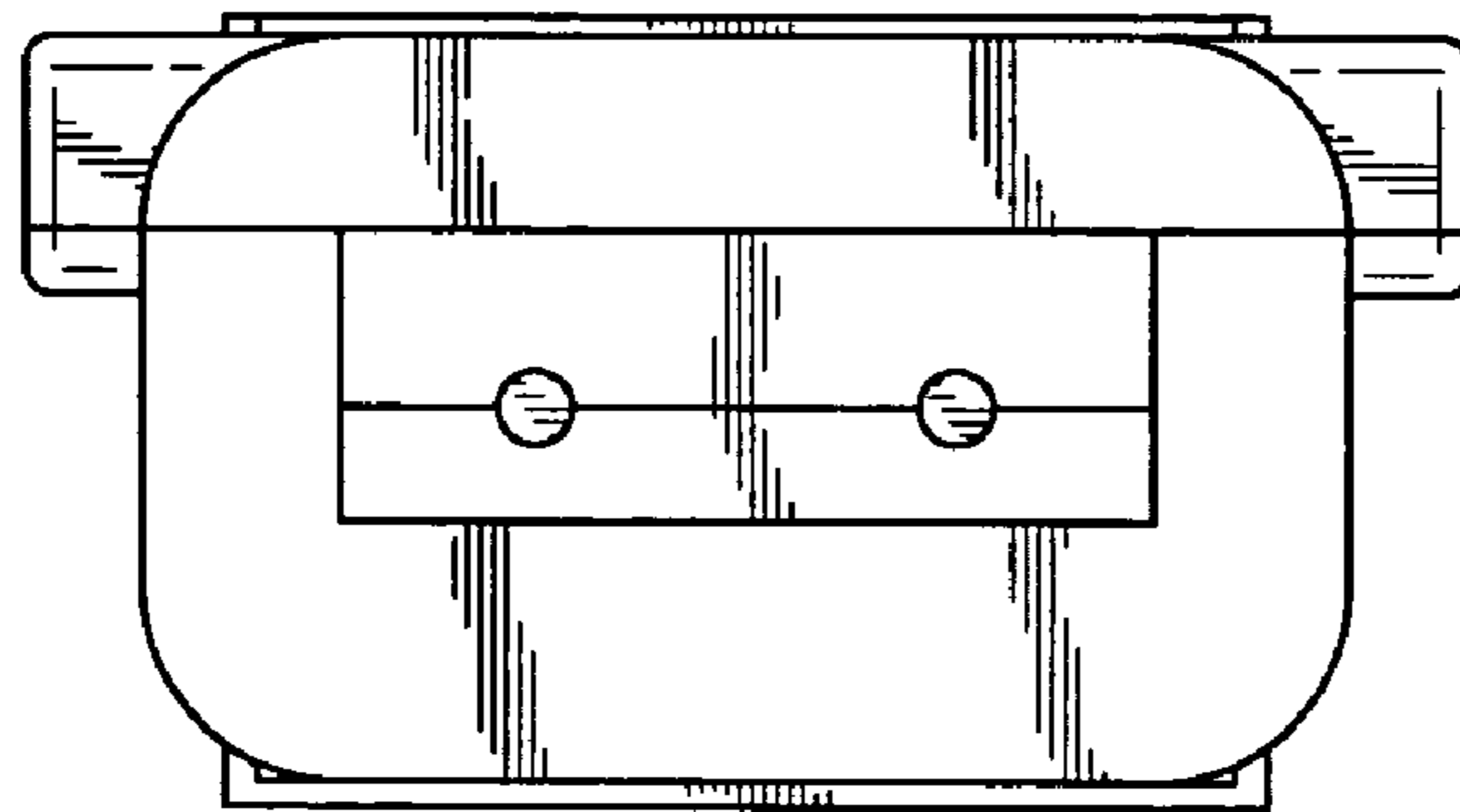


FIG. 6

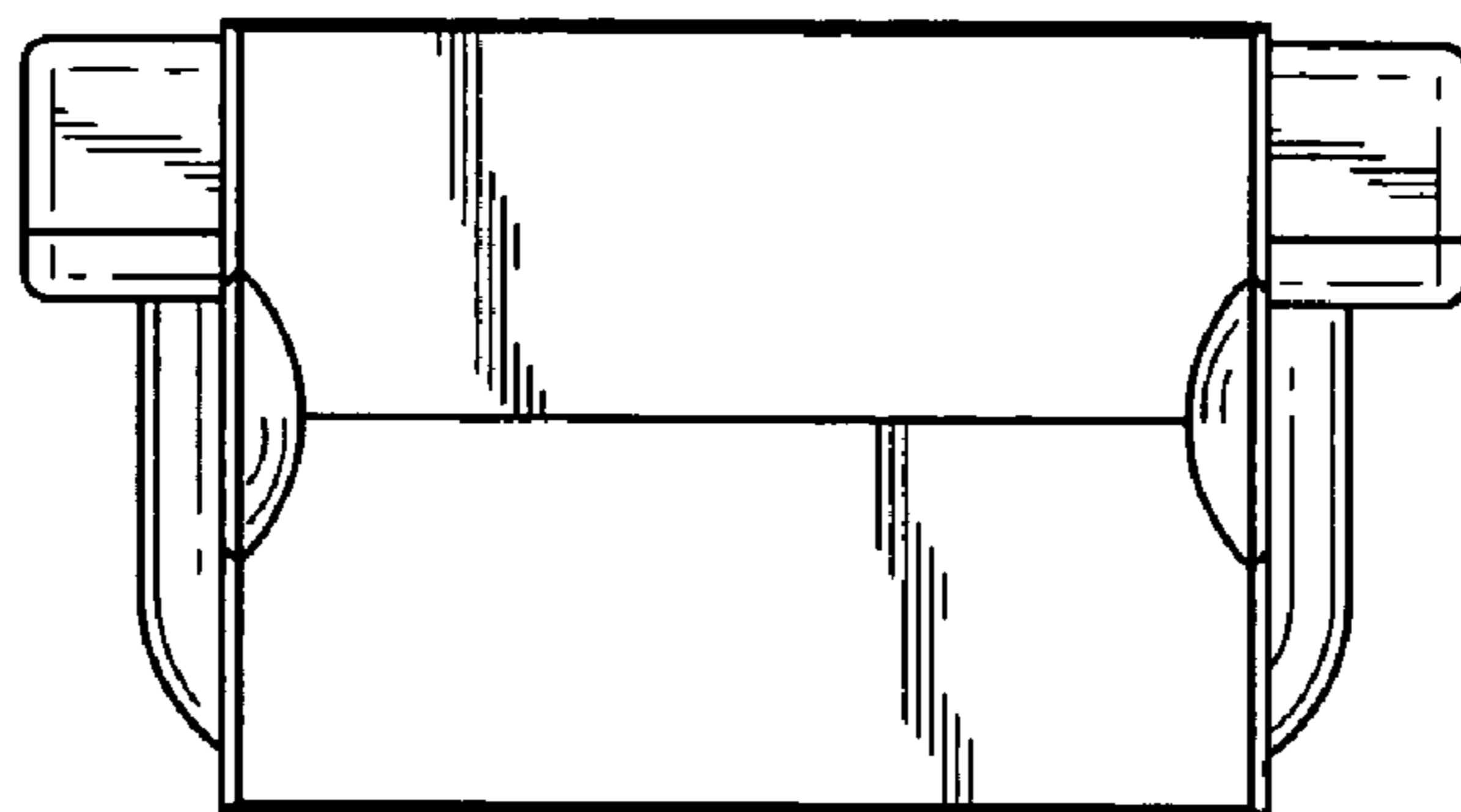


FIG. 7