



US00D640632S

(12) **United States Design Patent**
Smith et al.

(10) **Patent No.:** **US D640,632 S**

(45) **Date of Patent:** **** *Jun. 28, 2011**

(54) **PLUG**

(75) Inventors: **Dustin Jonathan Smith**, Kitchener (CA); **Anders Fahrendorff**, Ottawa (CA); **Sergei Streltsov**, Kitchener (CA); **Todd Andrew Wood**, Guelph (CA)

(73) Assignee: **Research In Motion Limited**, Waterloo, Ontario (CA)

(*) Notice: This patent is subject to a terminal disclaimer.

(**) Term: **14 Years**

(21) Appl. No.: **29/357,033**

(22) Filed: **Mar. 5, 2010**

(51) **LOC (9) Cl.** **13-03**

(52) **U.S. Cl.** **D13/138.1**

(58) **Field of Classification Search** D13/138.1, D13/138.2, 139.1, 139.2, 139.3, 139.4, 139.5, D13/139.6, 139.7, 139.8, 137.1, 137.2, 137.3, D13/137.4, 133, 146, 147, 151, 152, 153, D13/154, 107, 108, 110, 162, 170; 363/15, 363/34, 146; 439/93, 105, 119, 149, 225, 439/521, 535, 583, 866, 919; D8/353; 174/493, 174/494, 53, 59, 60, 66, 67; 320/111, 114, 320/115

See application file for complete search history.

(56) **References Cited**

U.S. PATENT DOCUMENTS

D374,657	S	*	10/1996	Beranek	D13/138.1
D384,328	S	*	9/1997	Muller et al.	D13/137.2
D583,316	S	*	12/2008	Sade et al.	D13/108
D587,192	S	*	2/2009	McGinley et al.	D13/110
D591,233	S	*	4/2009	Kagami et al.	D13/108
D609,639	S	*	2/2010	Kawahara et al.	D13/110
D610,992	S	*	3/2010	Fahrendorff et al.	D13/138.1
D611,409	S	*	3/2010	Green et al.	D13/110
D617,275	S	*	6/2010	Fahrendorff et al.	D13/138.1
D617,276	S	*	6/2010	Fahrendorff et al.	D13/138.1
D620,889	S	*	8/2010	Smith et al.	D13/138.2
D621,349	S	*	8/2010	Nylen	D13/108
2010/0253283	A1	*	10/2010	Francois	320/114

* cited by examiner

Primary Examiner — Angela Lee

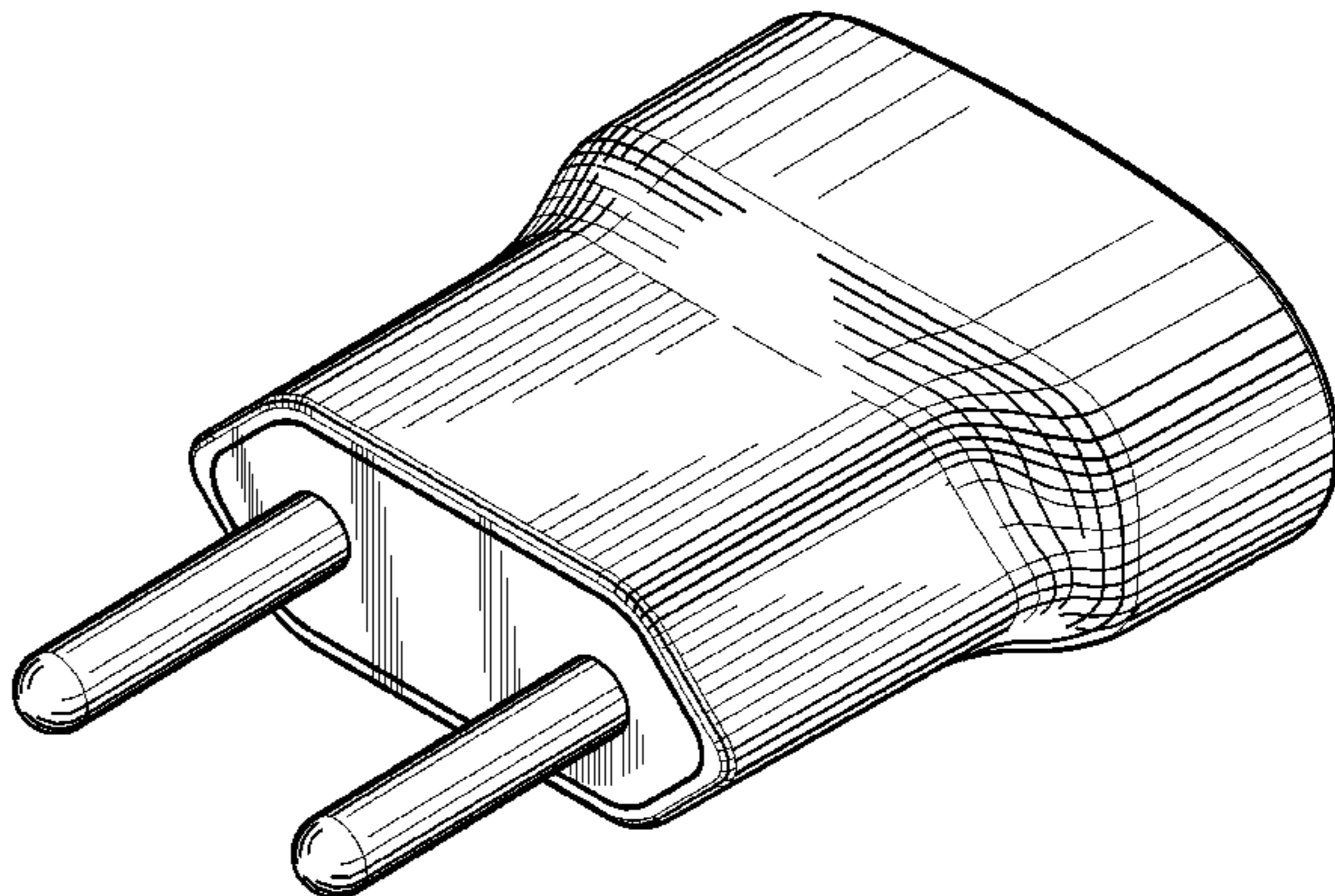
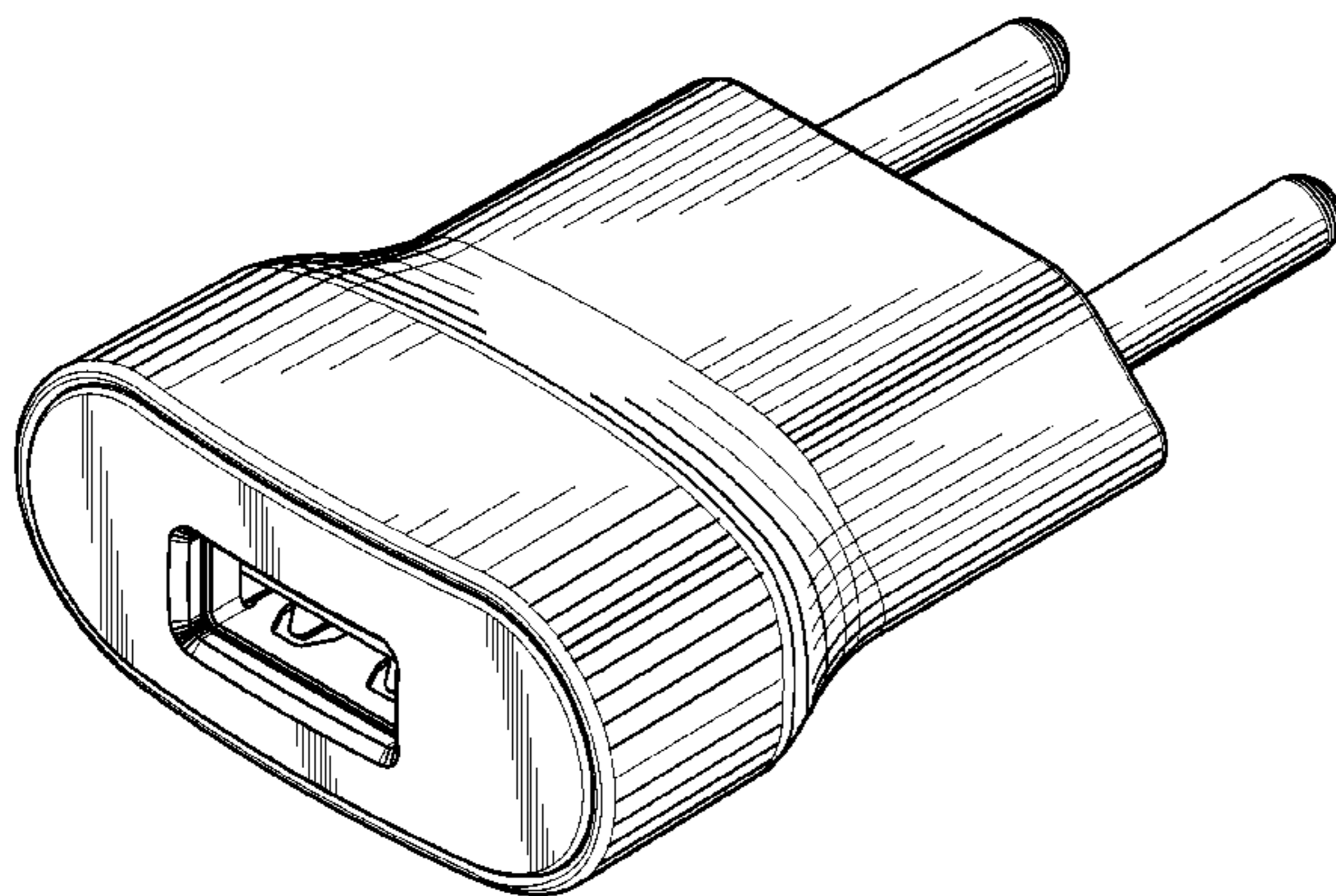
(57) **CLAIM**

We claim the ornamental design for a plug, as shown and described.

DESCRIPTION

FIG. 1 is a front perspective view of a plug;
FIG. 2 is a back perspective view of the plug;
FIG. 3 is a top plan view thereof;
FIG. 4 is a bottom plan view thereof;
FIG. 5 is a left elevational view thereof;
FIG. 6 is a right elevational view thereof;
FIG. 7 is a front elevational view thereof; and,
FIG. 8 is a back elevational view thereof.

1 Claim, 6 Drawing Sheets



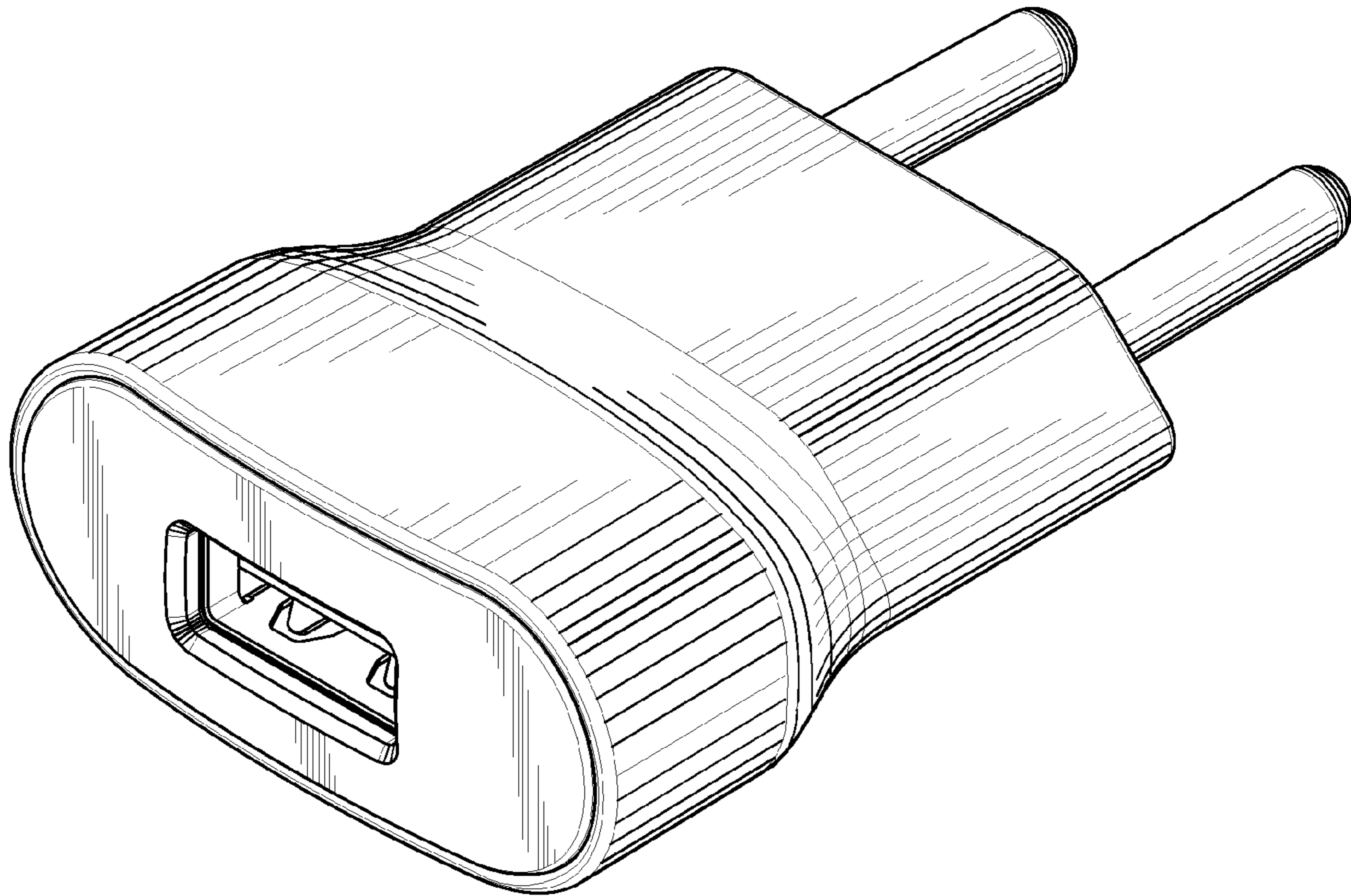


FIG.1

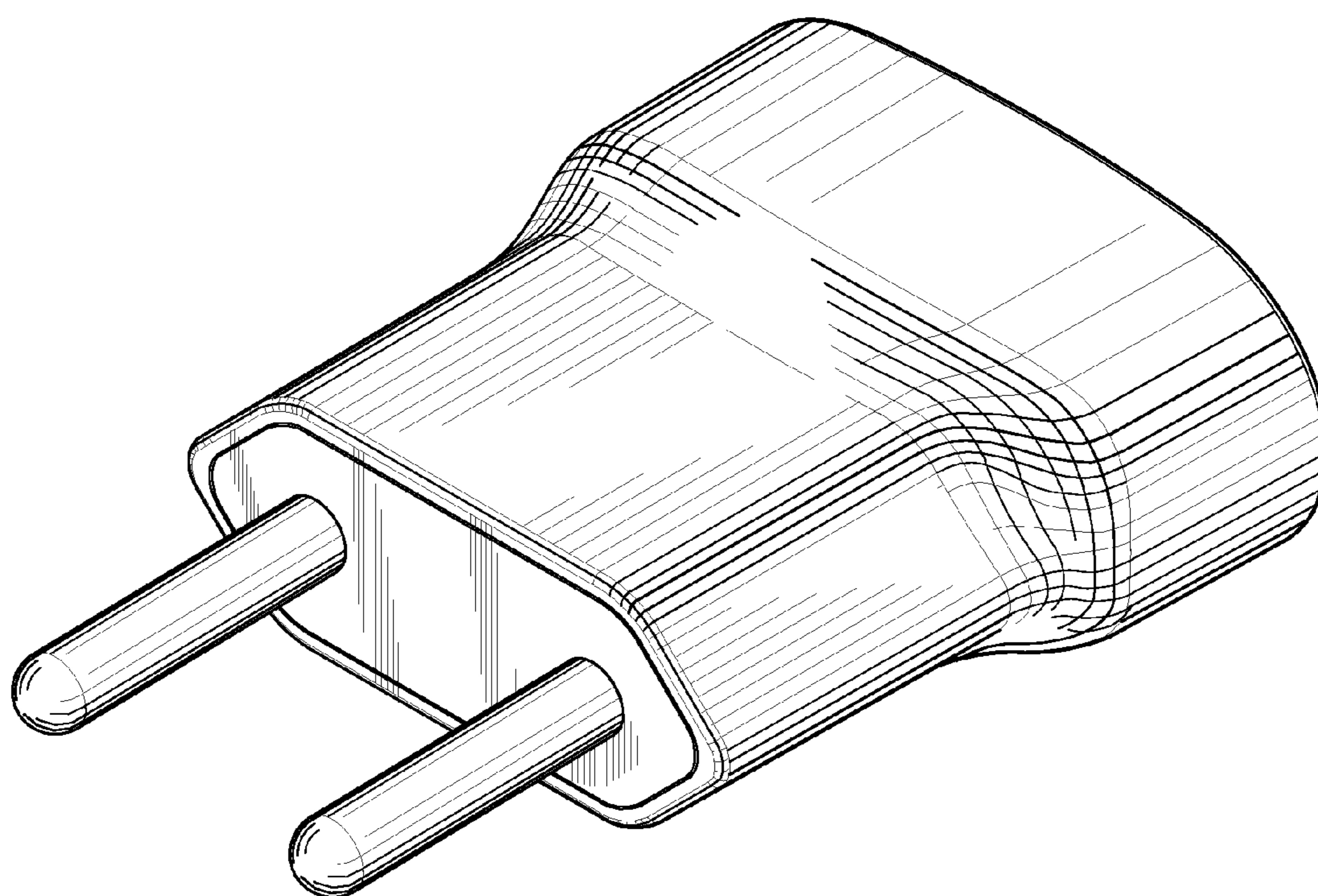


FIG.2

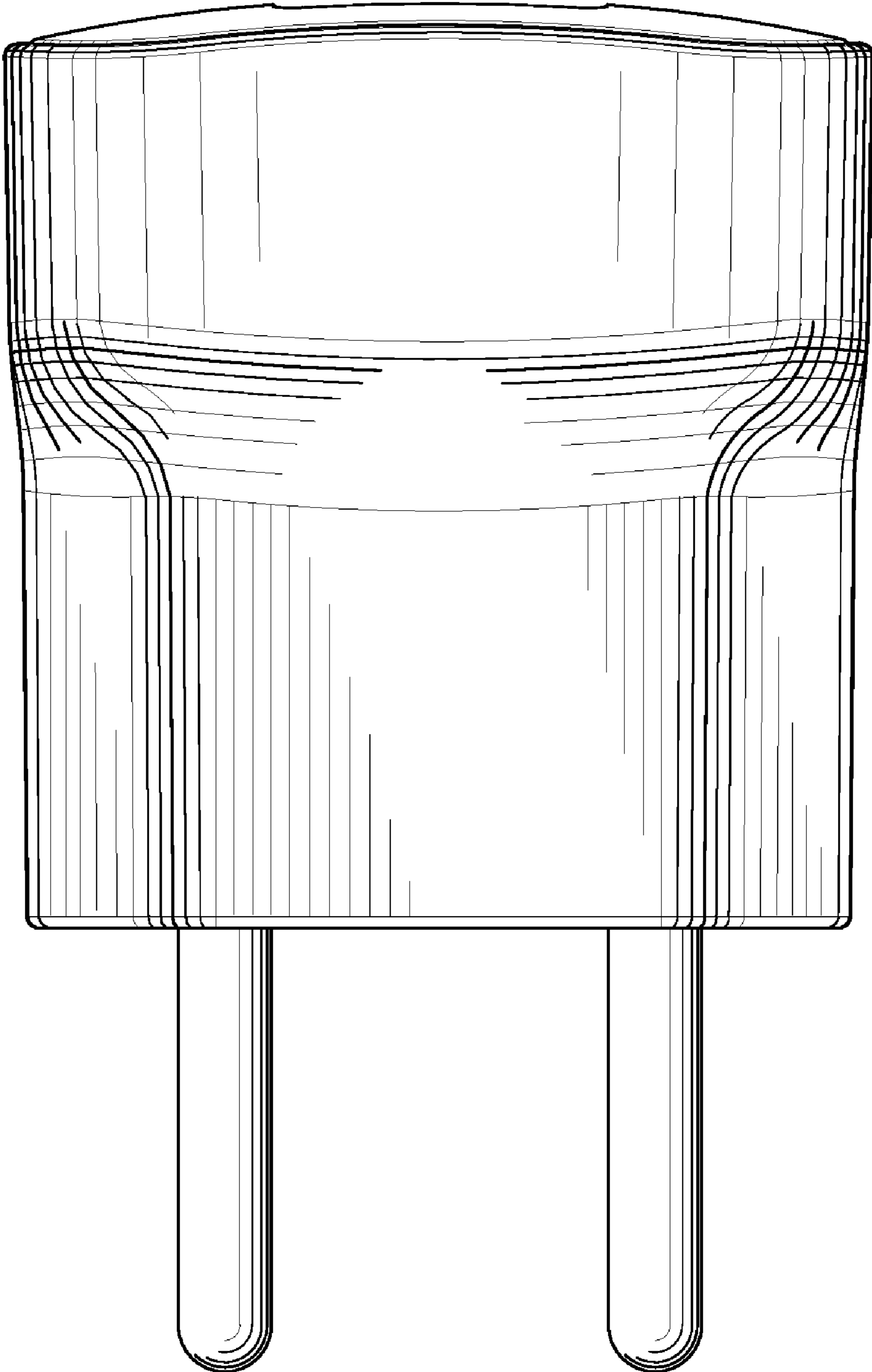


FIG.3

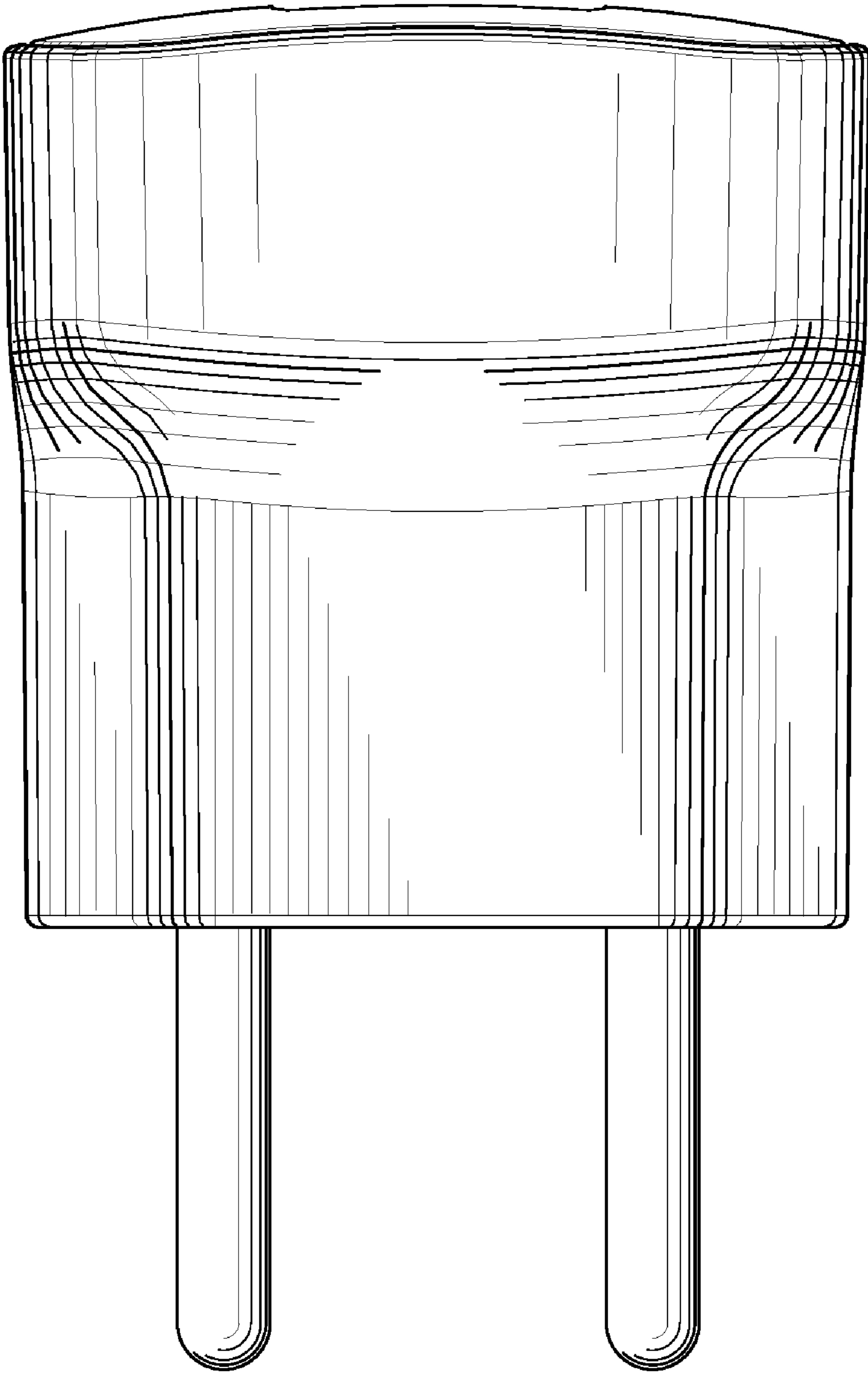


FIG.4

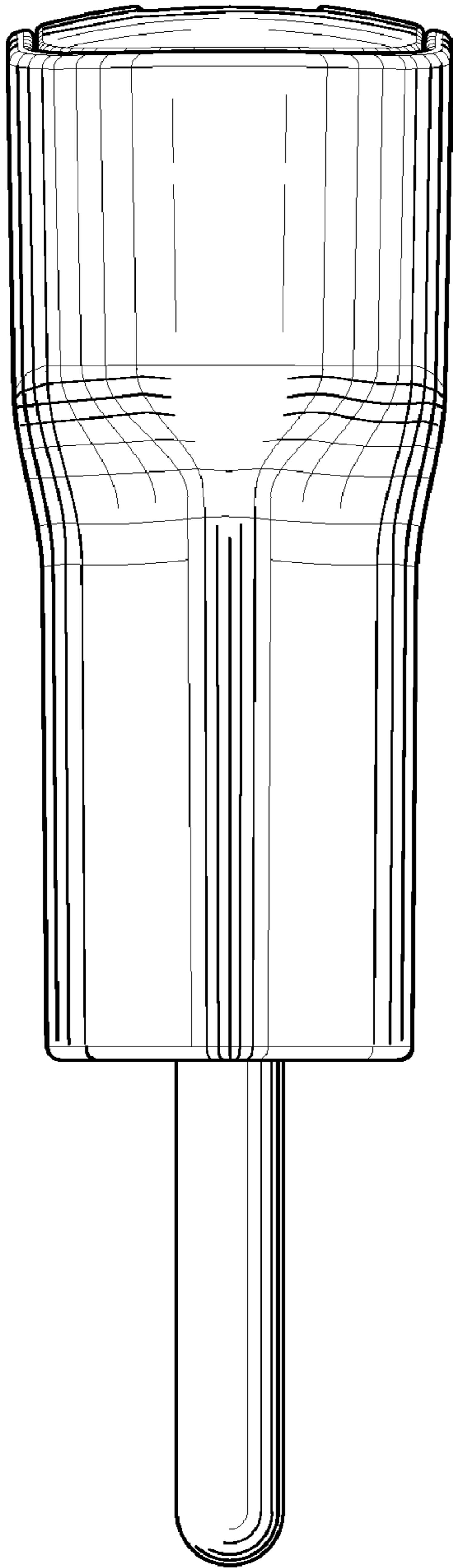


FIG. 5

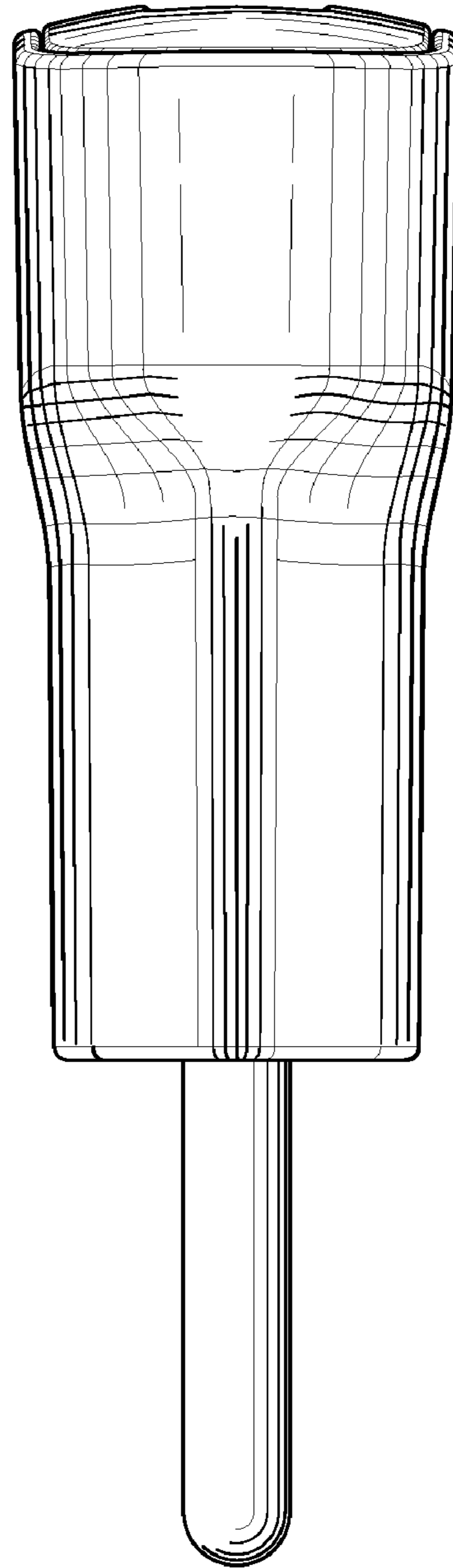


FIG. 6

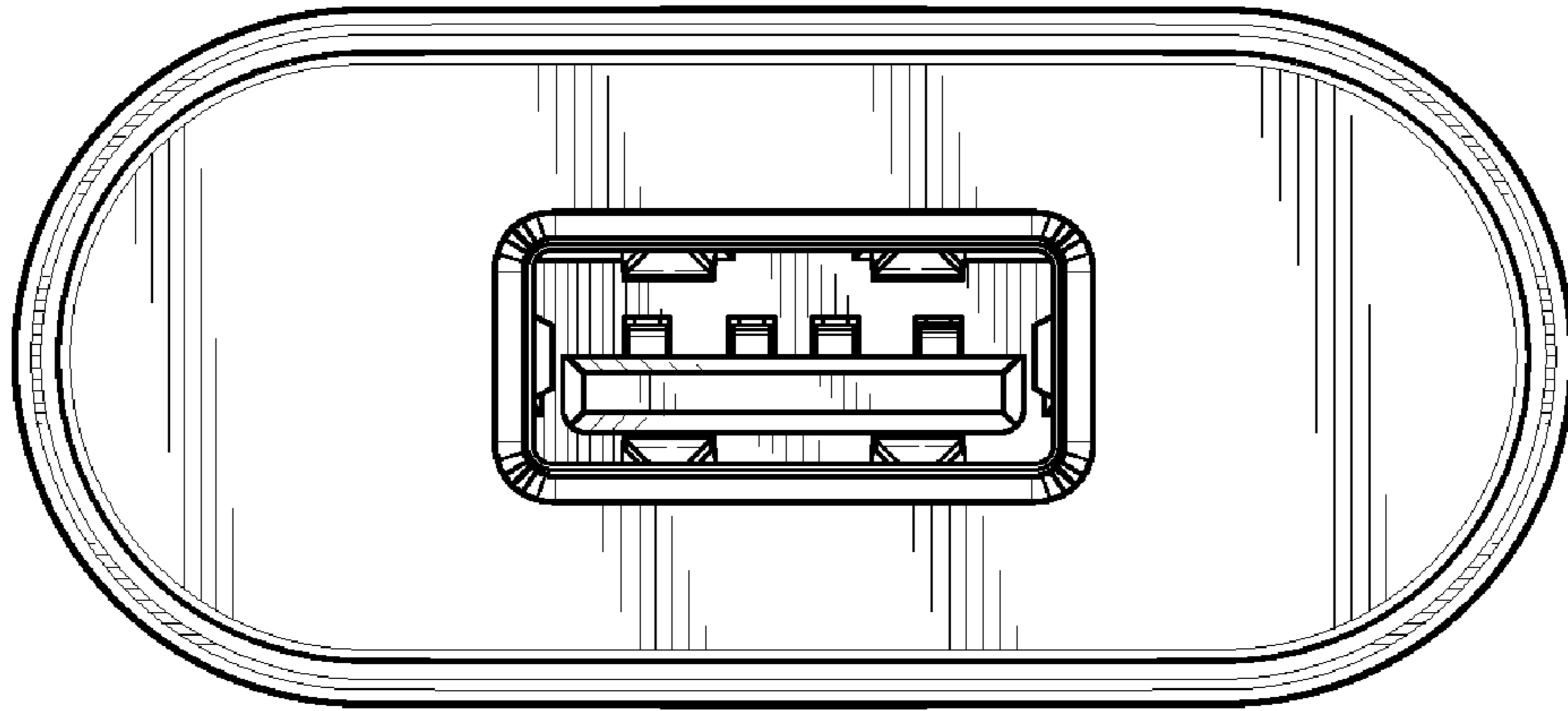


FIG. 7

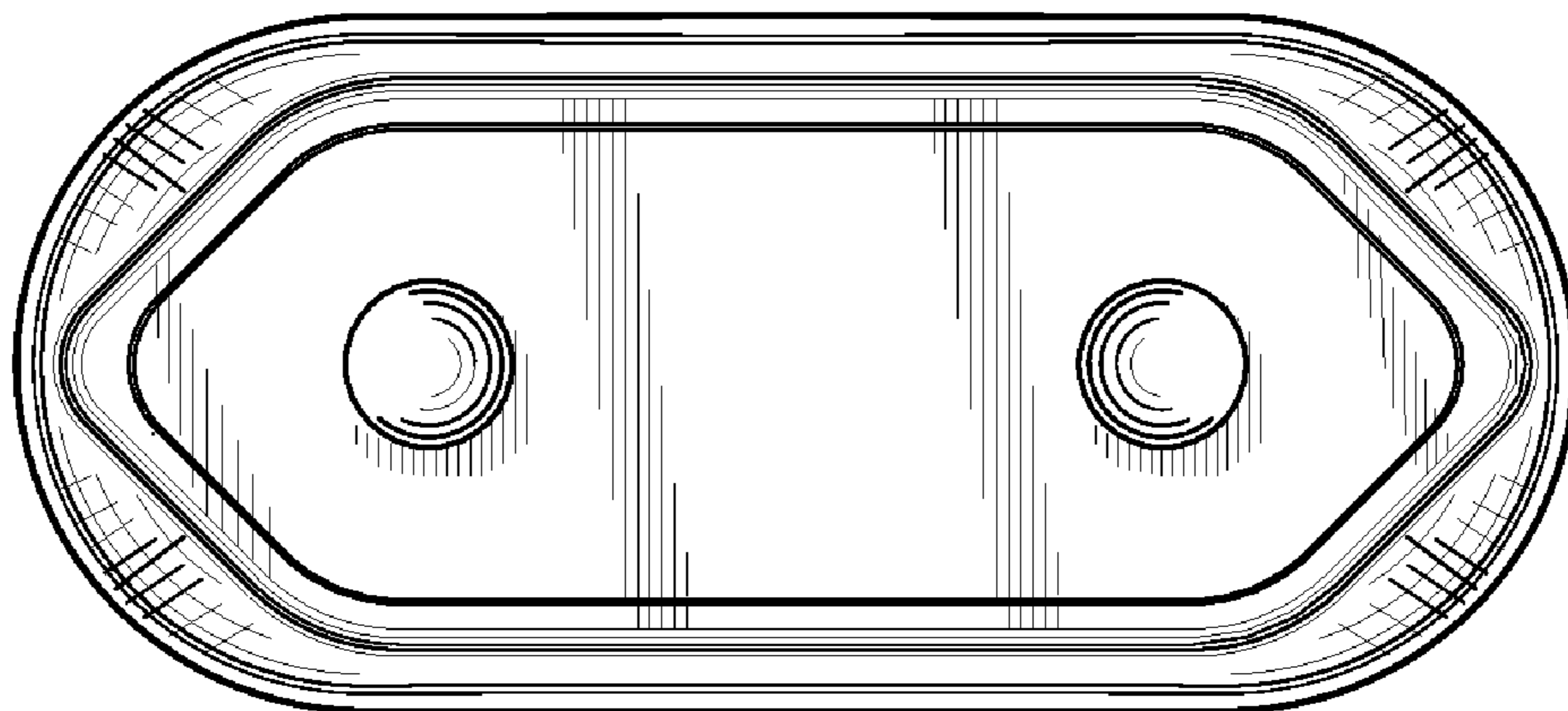


FIG. 8