



US00D640630S

(12) **United States Design Patent**
Schütz

(10) **Patent No.:** **US D640,630 S**

(45) **Date of Patent:** **** Jun. 28, 2011**

(54) **WIND POWER MACHINE**

(75) **Inventor:** **Udo Schütz, Selters (DE)**

(73) **Assignee:** **Schutz GmbH & Co. KGaA, Selters (DE)**

(**) **Term:** **14 Years**

(21) **Appl. No.:** **29/356,747**

(22) **Filed:** **Mar. 2, 2010**

(30) **Foreign Application Priority Data**

Sep. 2, 2009	(EM)	001606815-0001
Sep. 2, 2009	(EM)	001606815-0002
Sep. 2, 2009	(EM)	001606815-0003
Sep. 2, 2009	(EM)	001606815-0004

(51) **LOC (9) Cl.** **13-01**

(52) **U.S. Cl.** **D13/115**

(58) **Field of Classification Search** D13/115,
D13/101, 199; D15/1, 199; 290/43, 44;
415/4.1, 4.3, 4.5, 56.3, 122.1; 416/9, 12,
416/23, 24, 32, 37, 38, 44, 115, 117, 132 B,
416/132 R, 142, 169, 196 A, 197 A

See application file for complete search history.

(56) **References Cited**

U.S. PATENT DOCUMENTS

D271,303	S	*	11/1983	Ovelmen	D15/1
4,498,017	A	*	2/1985	Parkins	290/44
5,354,175	A	*	10/1994	Coleman et al.	416/9
D517,986	S	*	3/2006	Wobben	D13/115
D584,686	S	*	1/2009	Gudewer	D13/115

* cited by examiner

Primary Examiner — Stella M Reid

Assistant Examiner — Derrick Holland

(74) *Attorney, Agent, or Firm* — Fredrikson & Byron, P.A.

(57) **CLAIM**

I claim the ornamental design for wind power machine, as show and described.

DESCRIPTION

FIG. 1 is a rear perspective view of a wind power machine showing my new design;

FIG. 2 is a front elevation view thereof;

FIG. 3 is a rear elevation view thereof;

FIG. 4 is a top plan view thereof;

FIG. 5 is a bottom plan view thereof; and,

FIG. 6 is a right side elevation view thereof, the left side view is a mirror image thereof.

The broken lines shown are for illustrative purposes only and form no part of the claimed design.

1 Claim, 6 Drawing Sheets

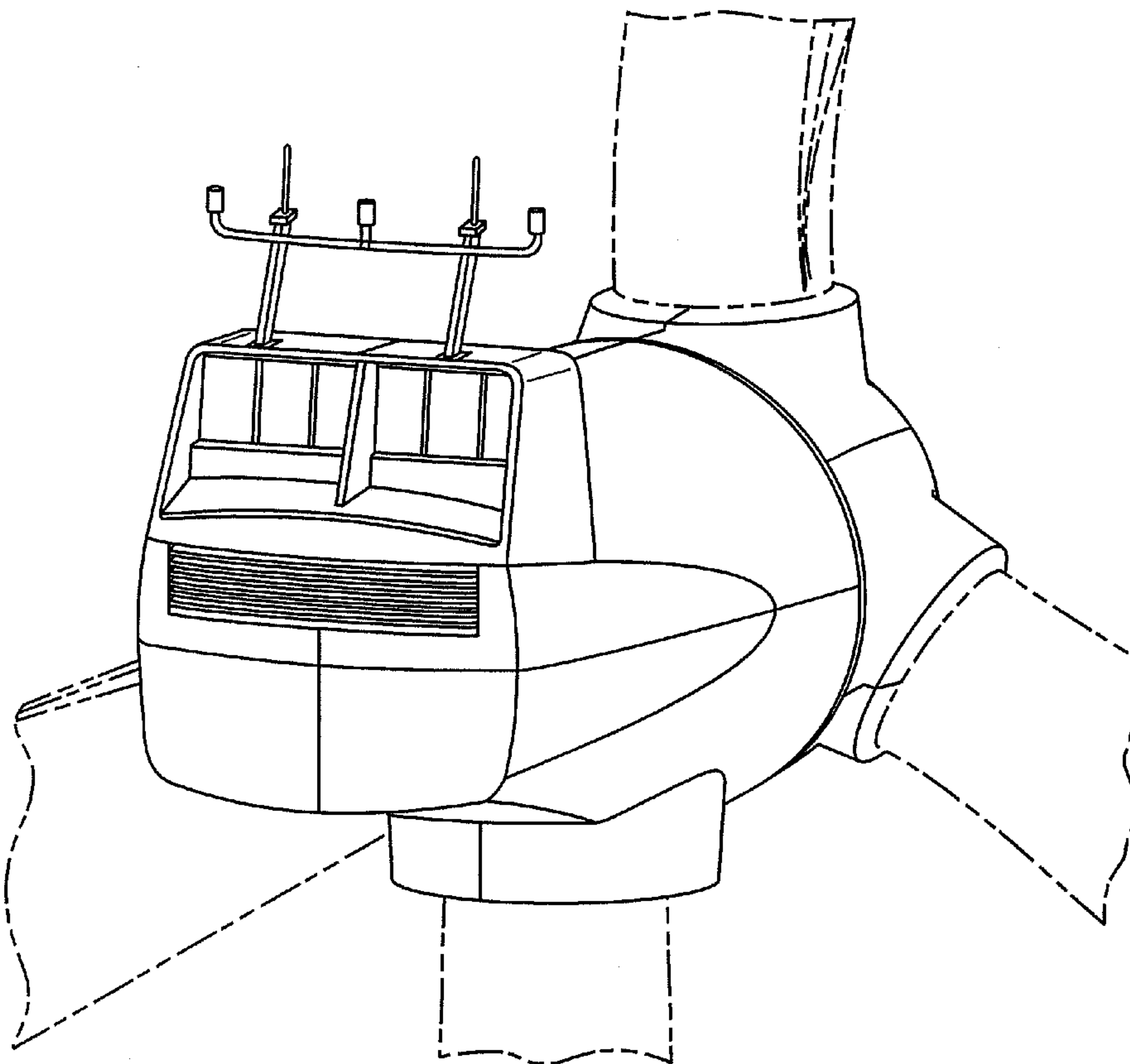


Fig. 1

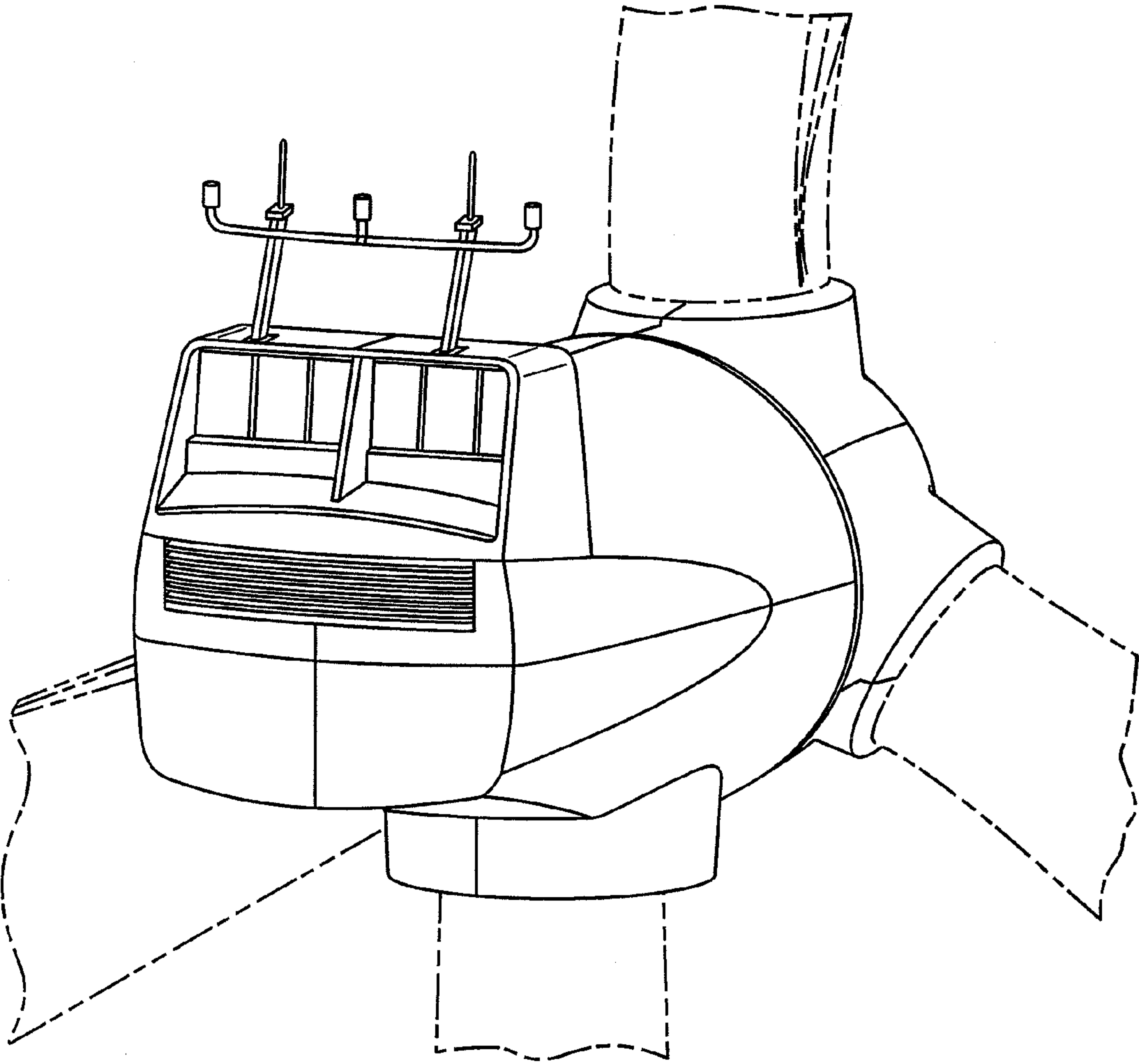


Fig. 2

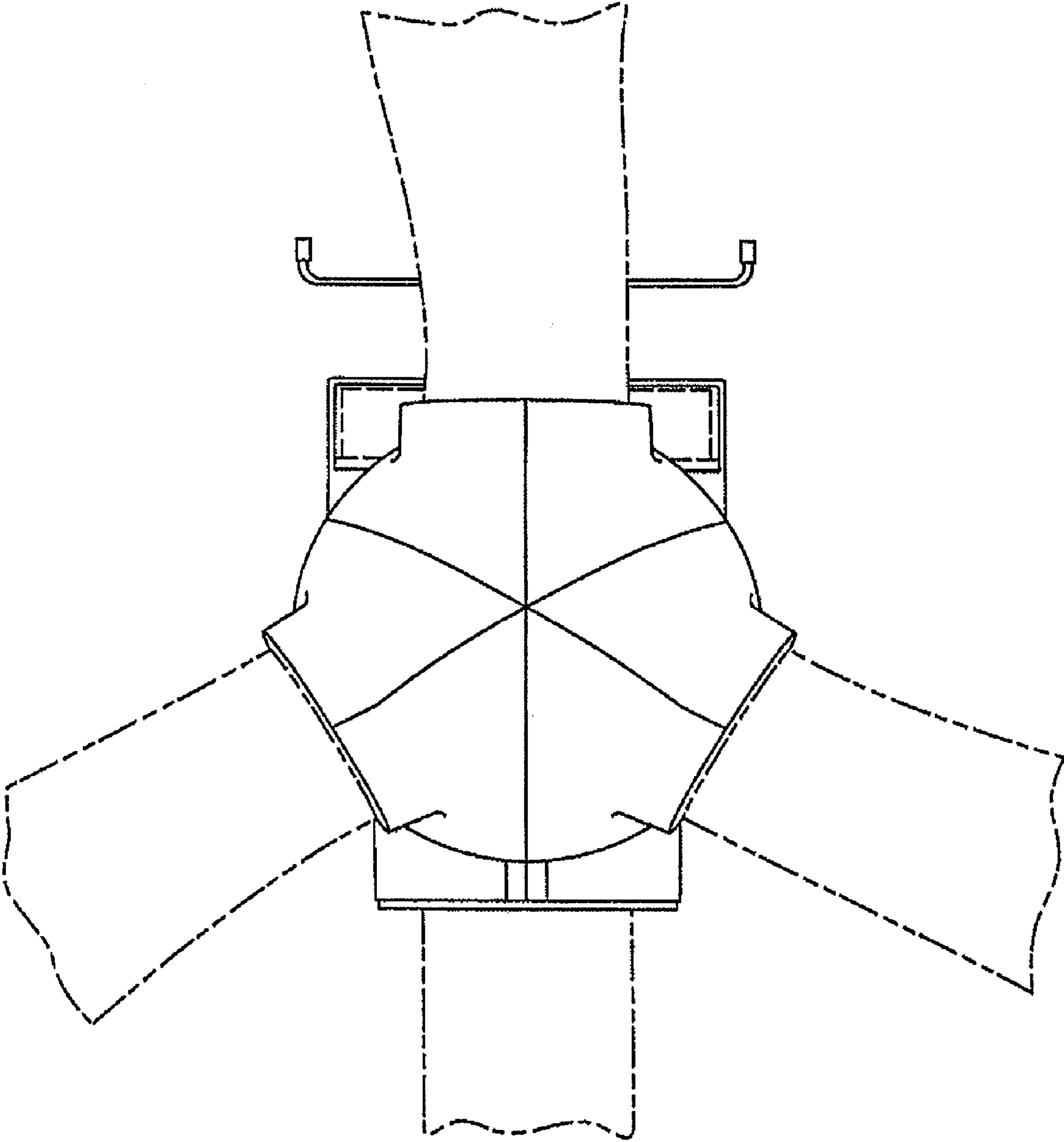
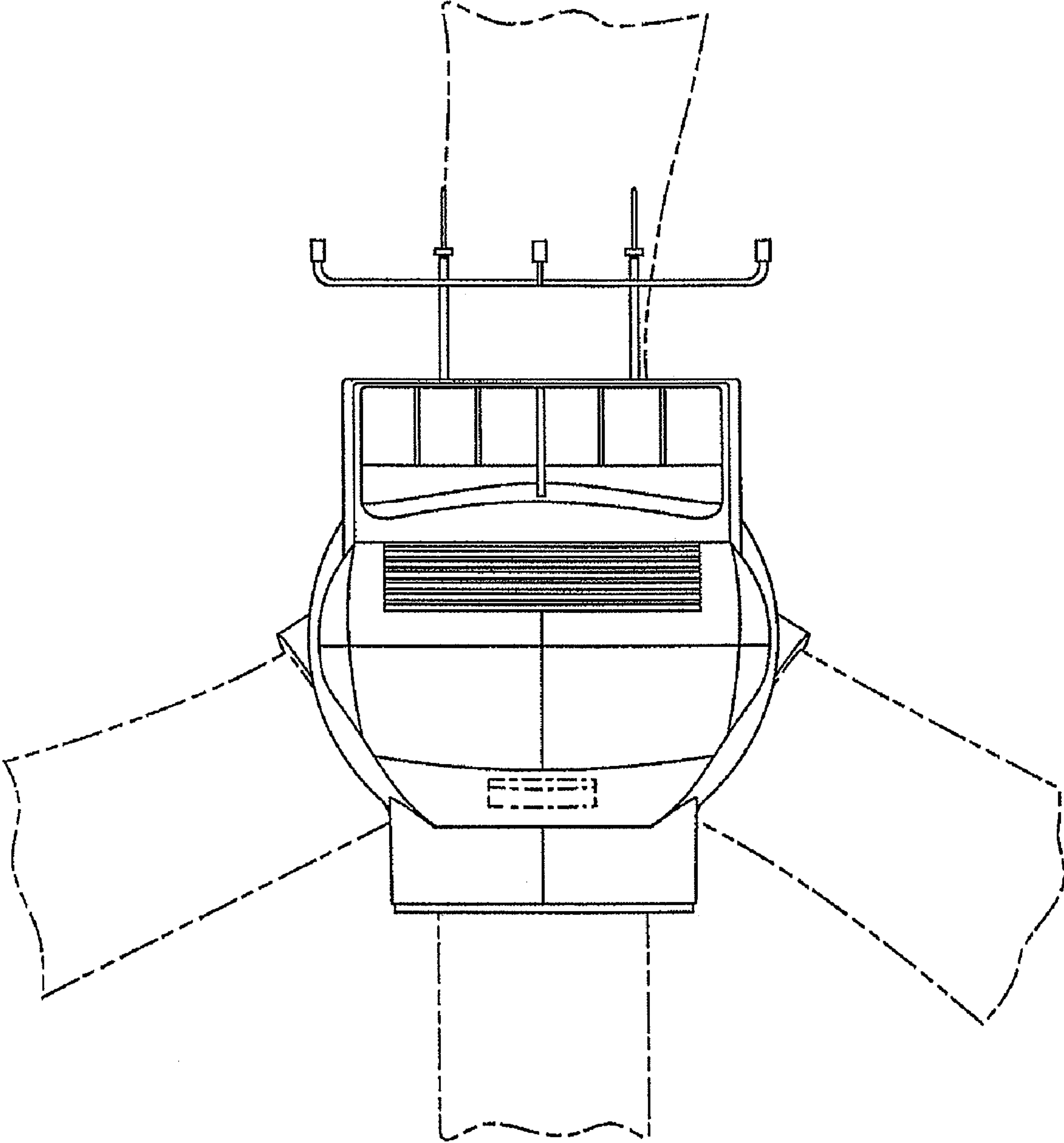


Fig. 3



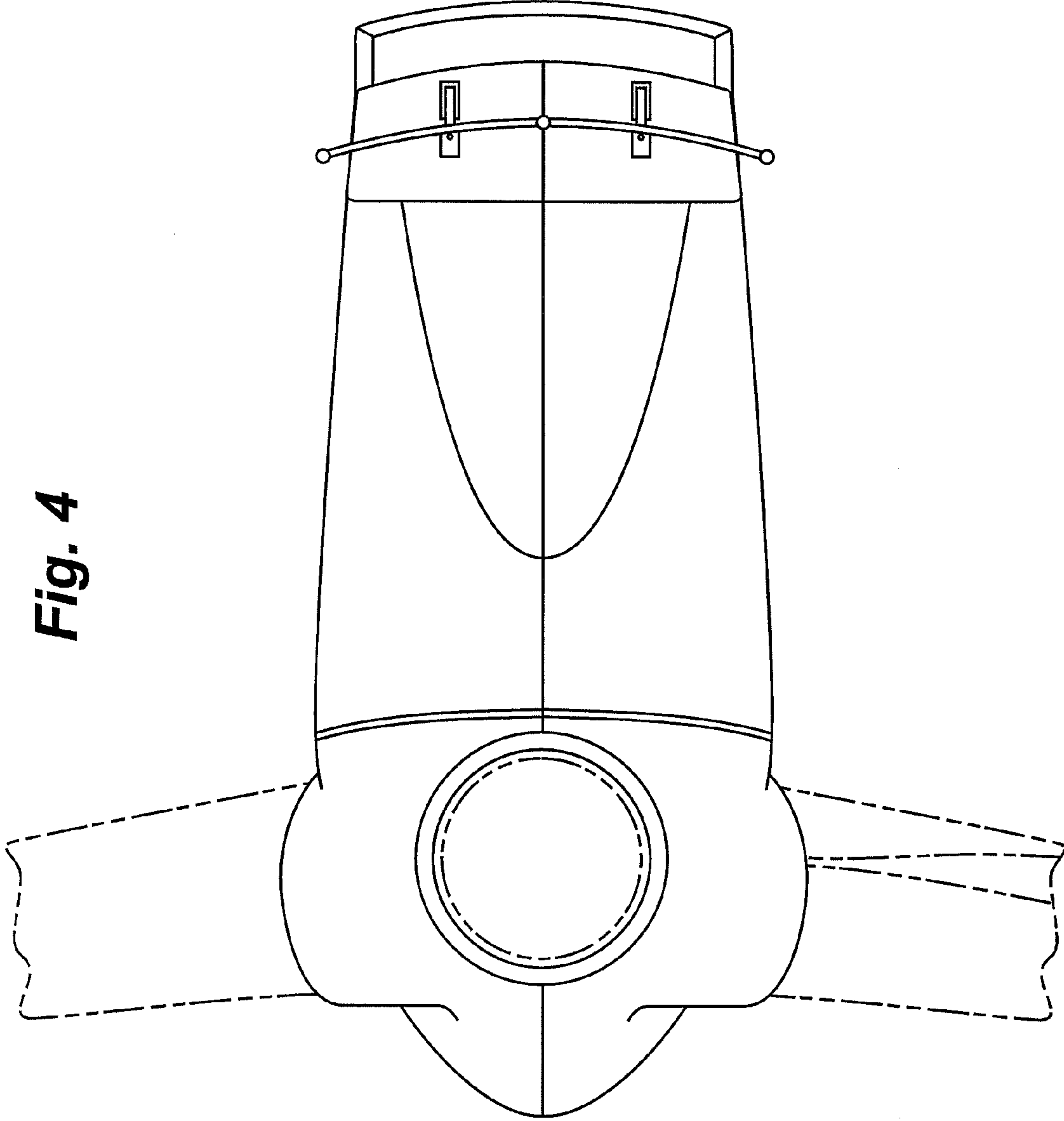
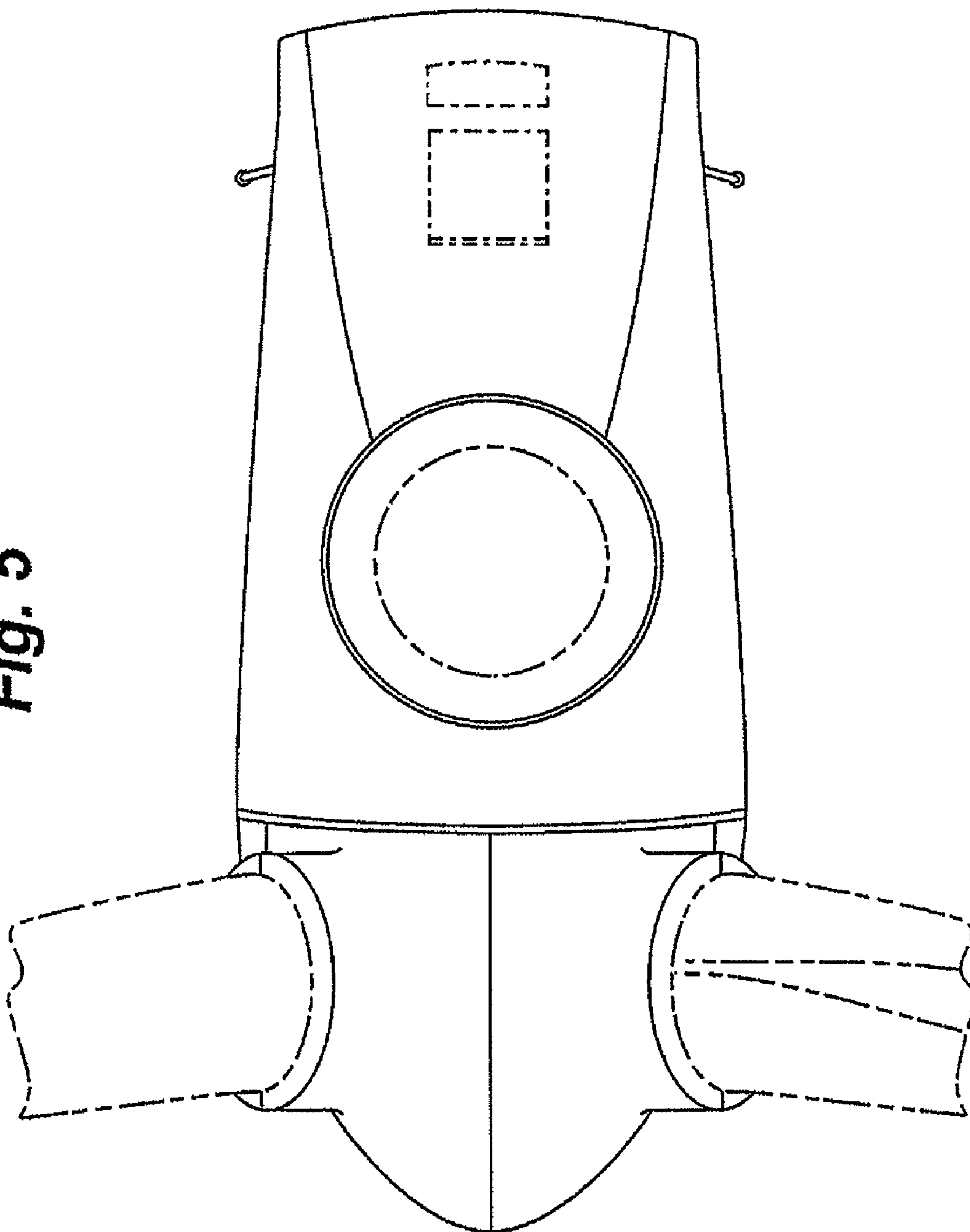


Fig. 4

Fig. 5



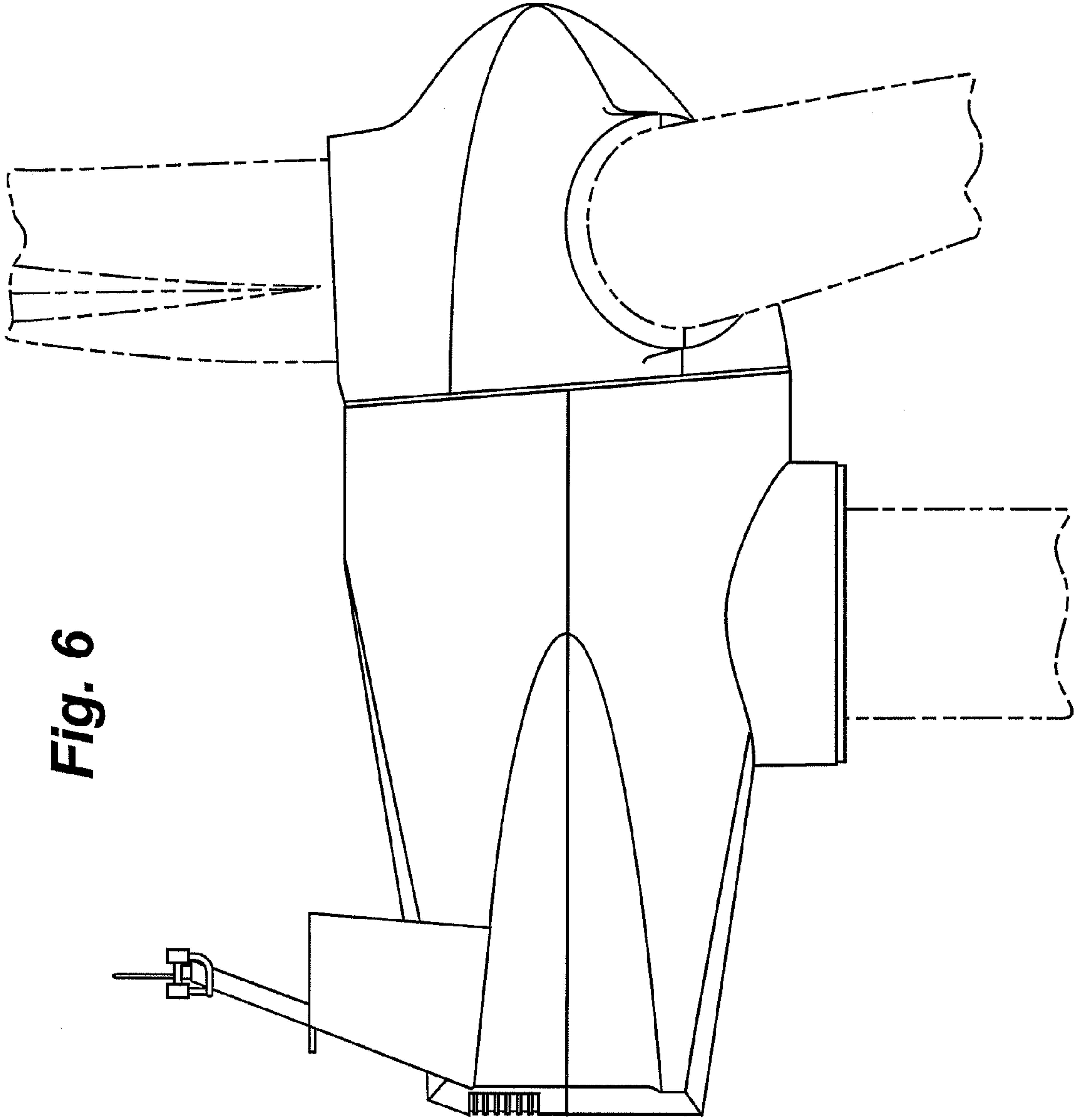


Fig. 6