



US00D640629S

(12) **United States Design Patent**
Levitt

(10) **Patent No.:** **US D640,629 S**

(45) **Date of Patent:** **** Jun. 28, 2011**

(54) **PULSE BATTERY SYSTEM**

(76) Inventor: **Jason Levitt**, Falls Church, VA (US)

(**) Term: **14 Years**

(21) Appl. No.: **29/367,304**

(22) Filed: **Aug. 5, 2010**

(51) **LOC (9) Cl.** **13-02**

(52) **U.S. Cl.** **D13/103; D13/119**

(58) **Field of Classification Search** D13/102-108,
D13/110, 118-121, 184, 199; 429/96-100,
429/149, 159, 163, 176, 177.186, 463

See application file for complete search history.

(56) **References Cited**

U.S. PATENT DOCUMENTS

D321,856	S	*	11/1991	Whitley et al.	D13/119
5,187,031	A	*	2/1993	Heiman et al.	429/129
5,512,065	A	*	4/1996	Kump et al.	29/623.1
5,663,007	A	*	9/1997	Ikoma et al.	429/53
5,798,906	A	*	8/1998	Ando et al.	361/520

D592,134	S	*	5/2009	Brockington	D13/119
D611,413	S	*	3/2010	Brockington	D13/119
D615,926	S	*	5/2010	Uneo et al.	D13/119

* cited by examiner

Primary Examiner — Rosemary K Tarcza

(74) *Attorney, Agent, or Firm* — Hyra IP, PLC; Clifford D. Hyra

(57) **CLAIM**

The ornamental design for a pulse battery system, as shown and described.

DESCRIPTION

FIG. 1 is a perspective view of a pulse battery system showing the front, top, and left side.

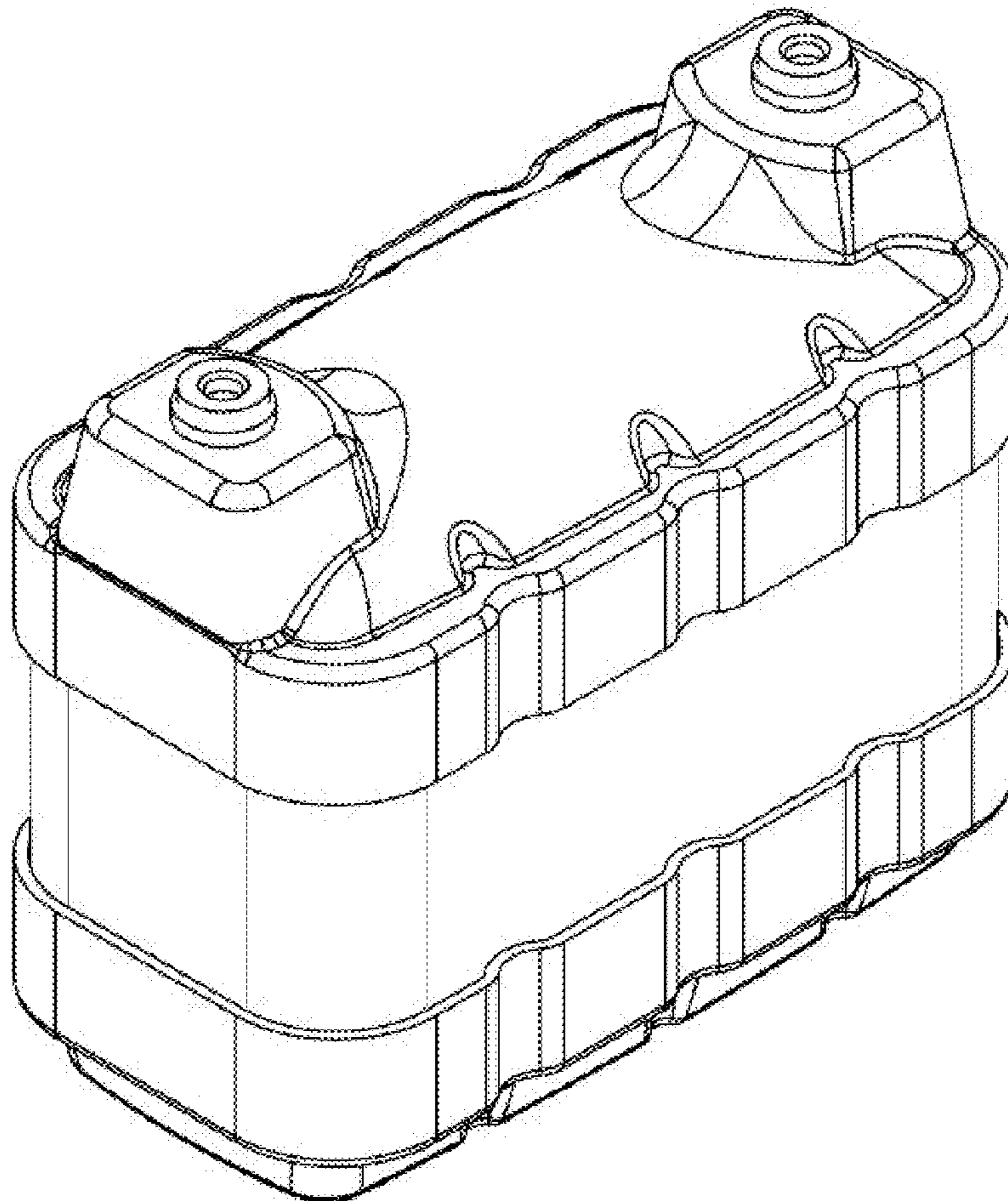
FIG. 2 is a top view of a pulse battery system.

FIG. 3 is a left side view of a pulse battery system. The right side of the design is identical to the left side; and, FIG. 4 is a front view of a pulse battery system. The back side of the design is identical to the front side.

The bottom of the design is flat and devoid of surface ornamentation

The broken lines in FIGS. 1-4 are included for the purpose of illustrating a portion of the pulse battery system that forms no part of the claimed design.

1 Claim, 3 Drawing Sheets



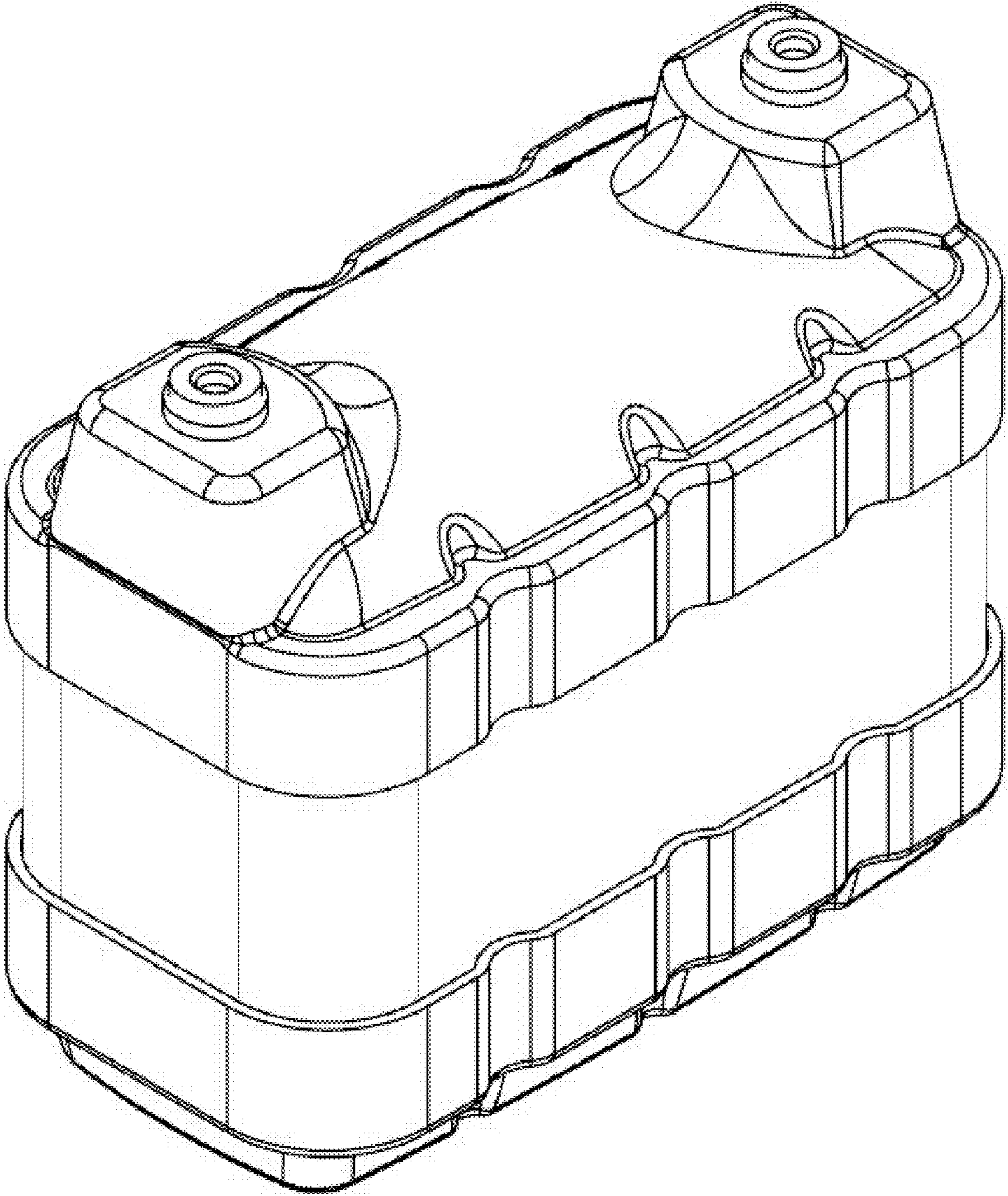


FIG. 1

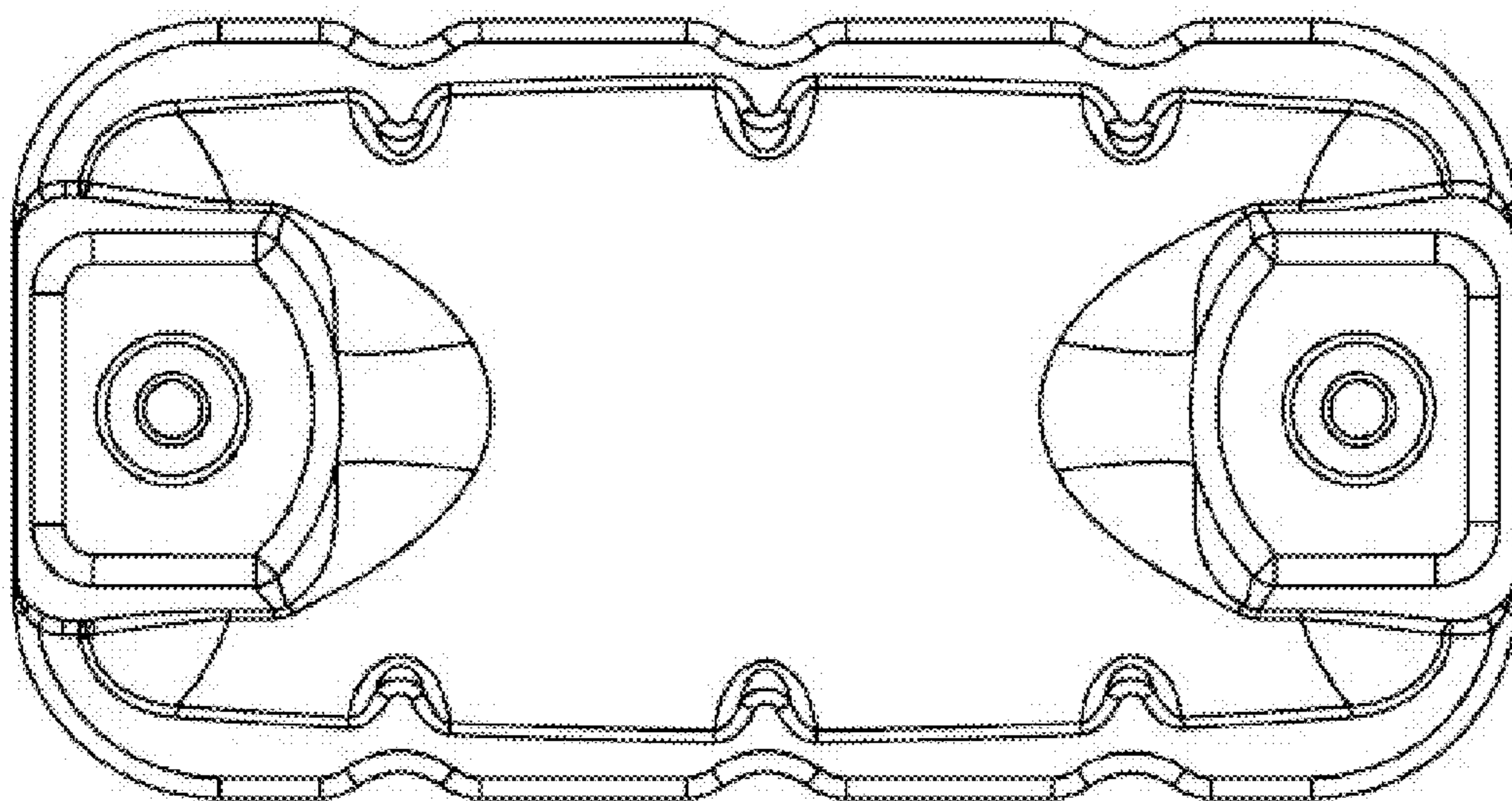


FIG. 2

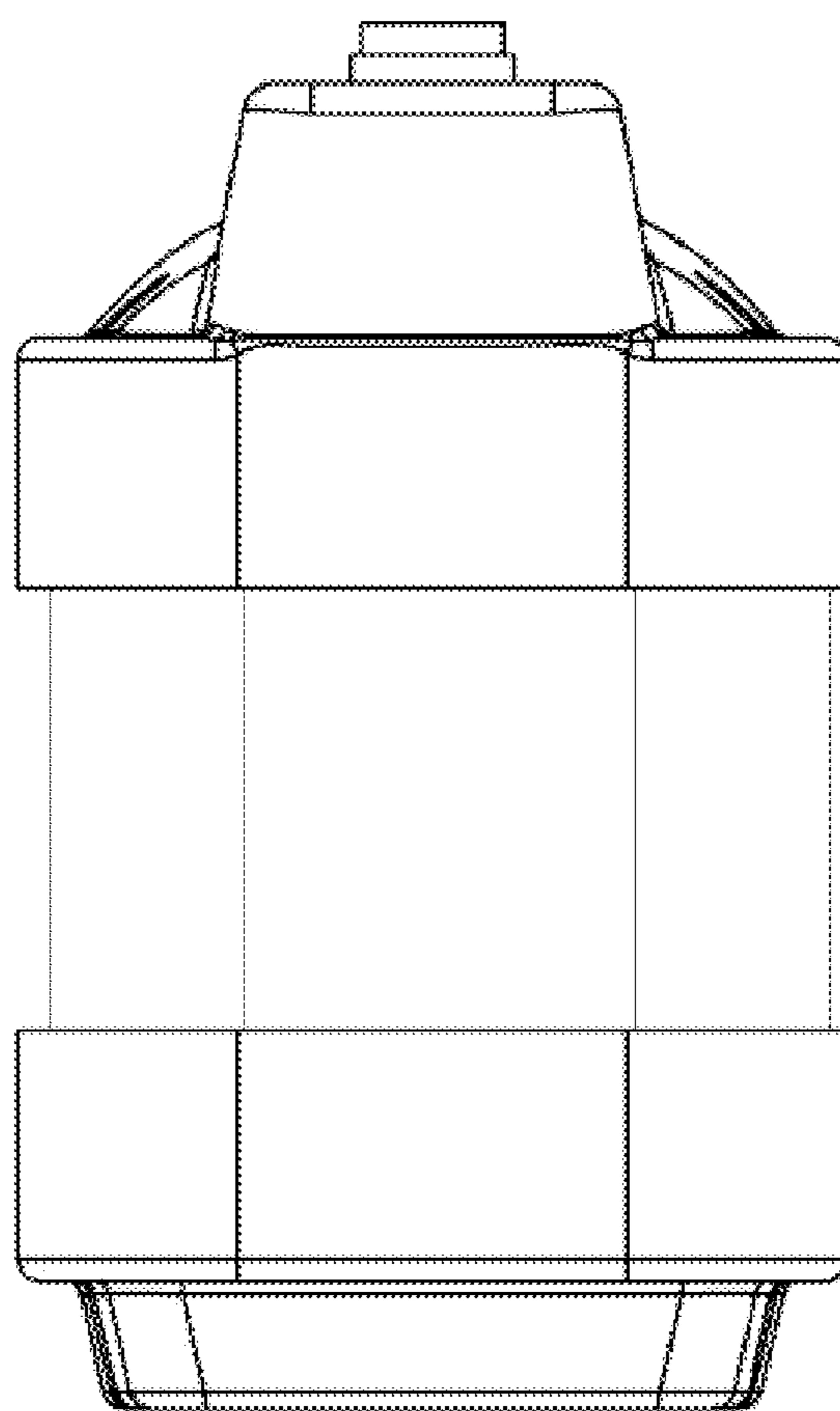


FIG. 3

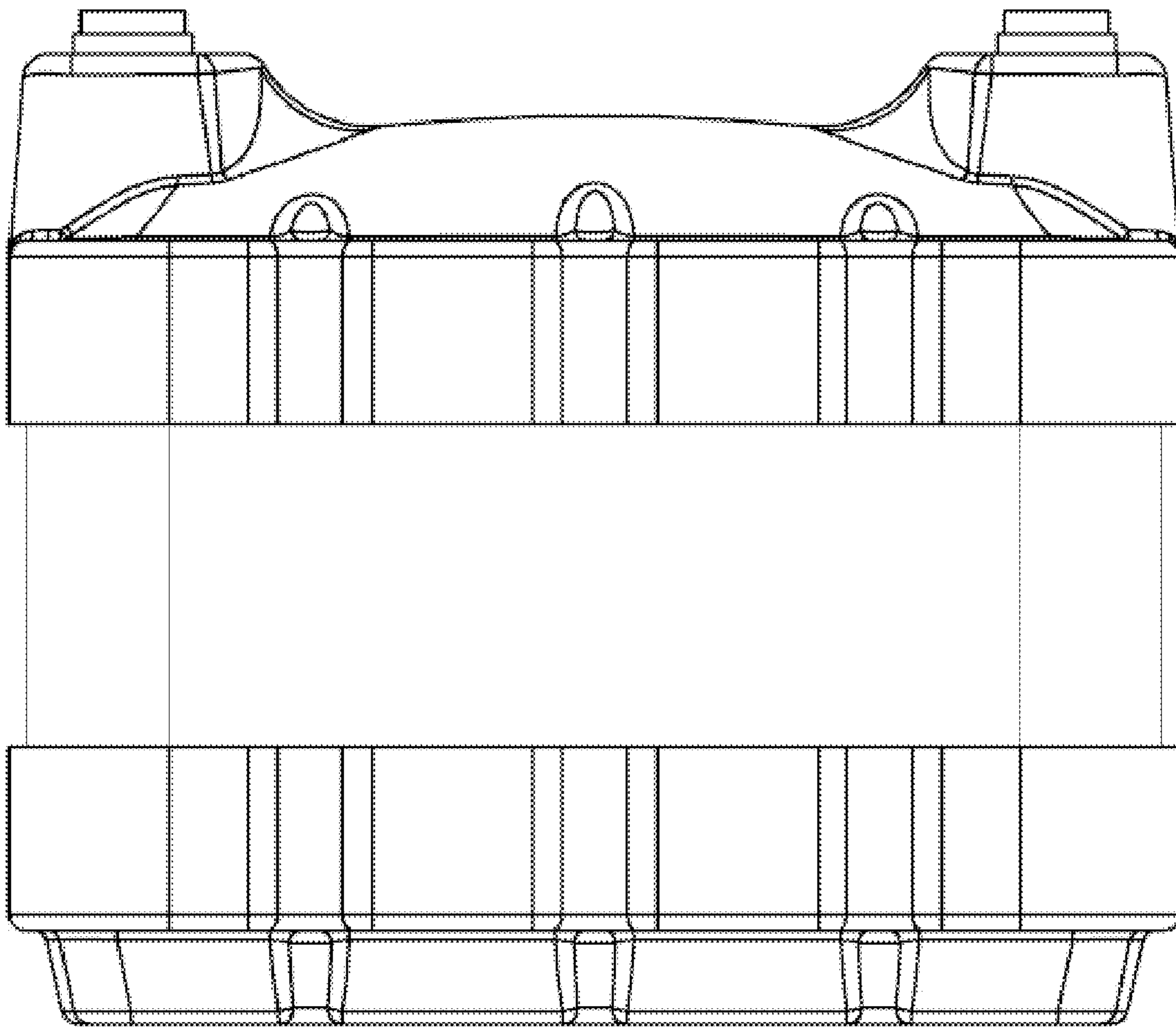


FIG. 4