



US00D640627S

(12) **United States Design Patent**
Durand

(10) **Patent No.:** **US D640,627 S**
(45) **Date of Patent:** **** Jun. 28, 2011**

(54) **PNEUMATIC TIRE**

(75) Inventor: **Renaud Durand**, Bangkok (TH)

(73) Assignee: **Michelin Recherche et Technique S.A.**,
Granges-Paccot (CH)

(**) Term: **14 Years**

(21) Appl. No.: **29/311,071**

(22) Filed: **Dec. 18, 2008**

(30) **Foreign Application Priority Data**

Jun. 19, 2008 (FR) 08 2854

(51) **LOC (9) Cl.** **12-15**

(52) **U.S. Cl.** **D12/601**

(58) **Field of Classification Search** D12/600-601;
152/209.1, 209.8, 209.9, 209.12, 209.18,
152/209.25

See application file for complete search history.

(56) **References Cited**

U.S. PATENT DOCUMENTS

D294,812 S 3/1988 Takeuchi
D304,558 S * 11/1989 Fukumoto D12/588

D316,692 S 5/1991 Fukumoto
D317,738 S 6/1991 Fukumoto
D338,178 S 8/1993 Yamashita
D380,995 S 7/1997 Grosskopf
D385,235 S 10/1997 Young
D464,614 S * 10/2002 Irimiya D12/588
6,467,517 B1 * 10/2002 Radulescu 152/209.2
D555,078 S * 11/2007 Radulescu et al. D12/553
D584,679 S * 1/2009 Radulescu D12/553
D615,922 S * 5/2010 Takano D12/588

* cited by examiner

Primary Examiner — Caron D Veynar

Assistant Examiner — George D Kirschbaum

(74) *Attorney, Agent, or Firm* — Buchanan Ingersoll &
Rooney PC

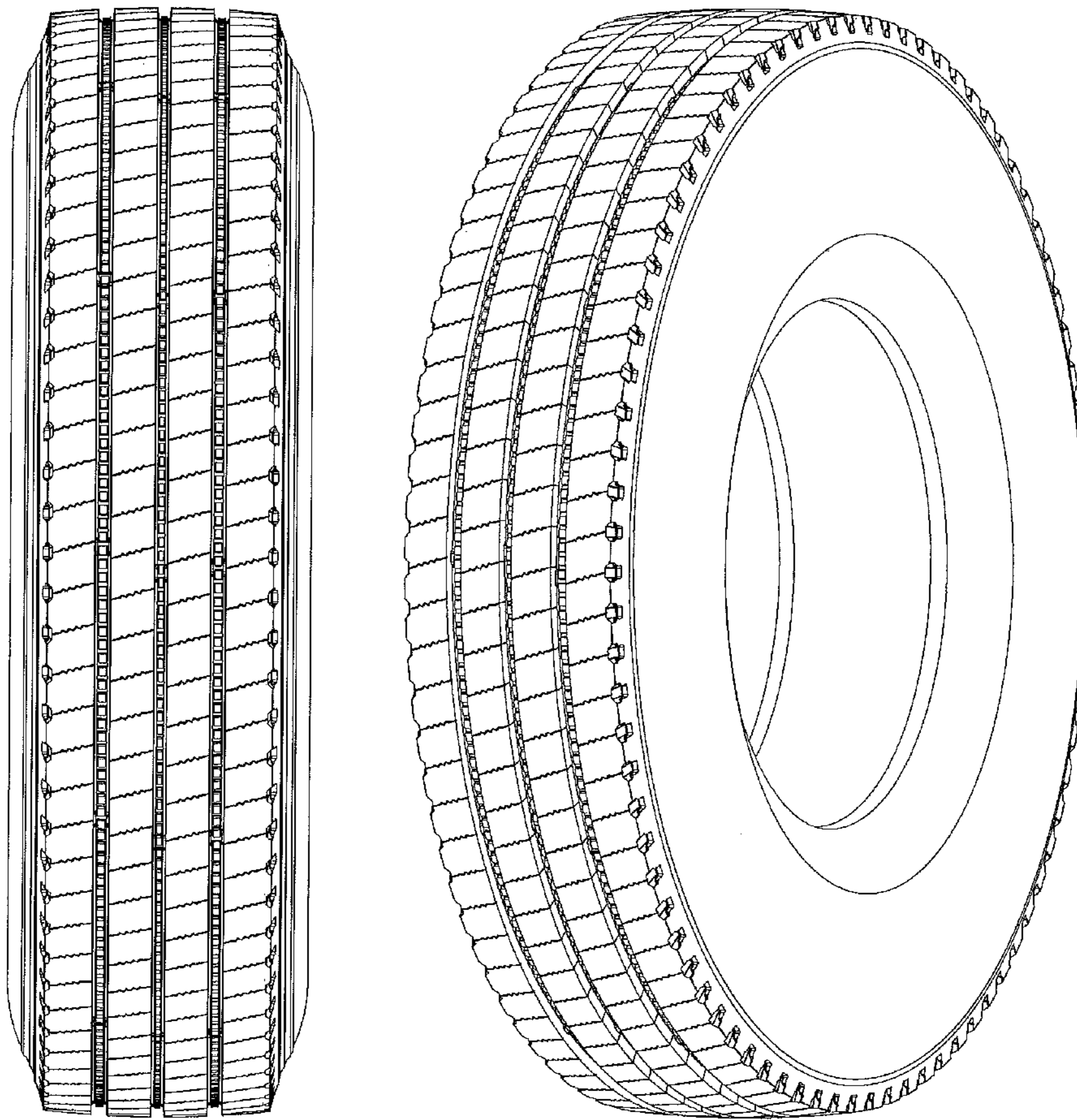
(57) **CLAIM**

The ornamental design for a pneumatic tire, as shown and described.

DESCRIPTION

FIG. 1 is a front elevational view of my new tread design; FIG. 2 is a front perspective view of FIG. 1; FIG. 3. is a side elevational view of FIG. 1, it being understood that the opposite side is identical; and, FIG. 4 is an enlargement of a fragment of the front view of FIG. 1.

1 Claim, 4 Drawing Sheets



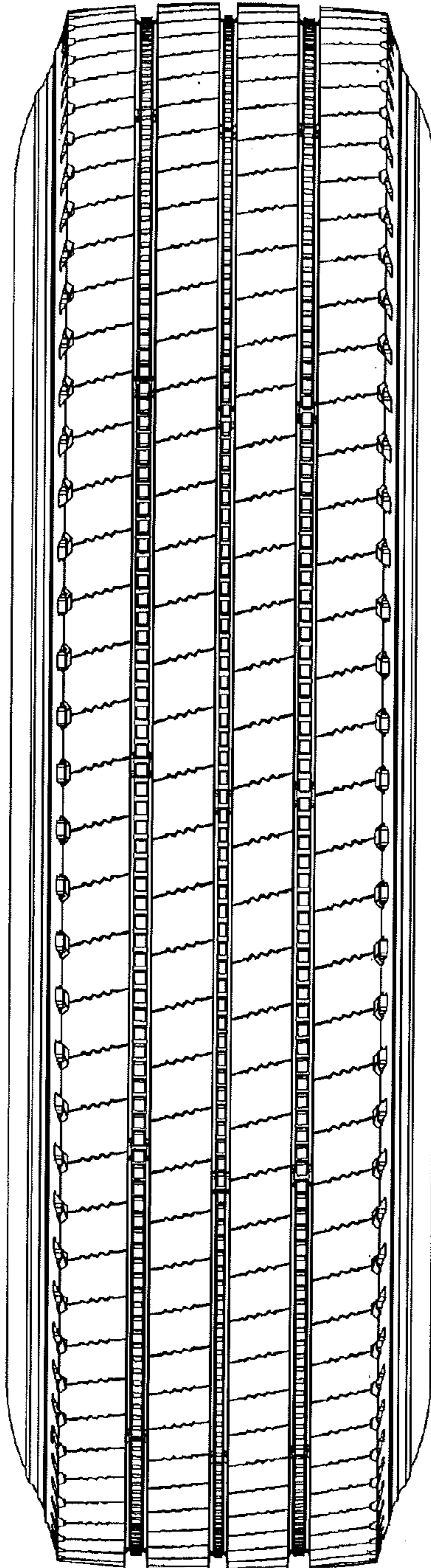


FIG. 1

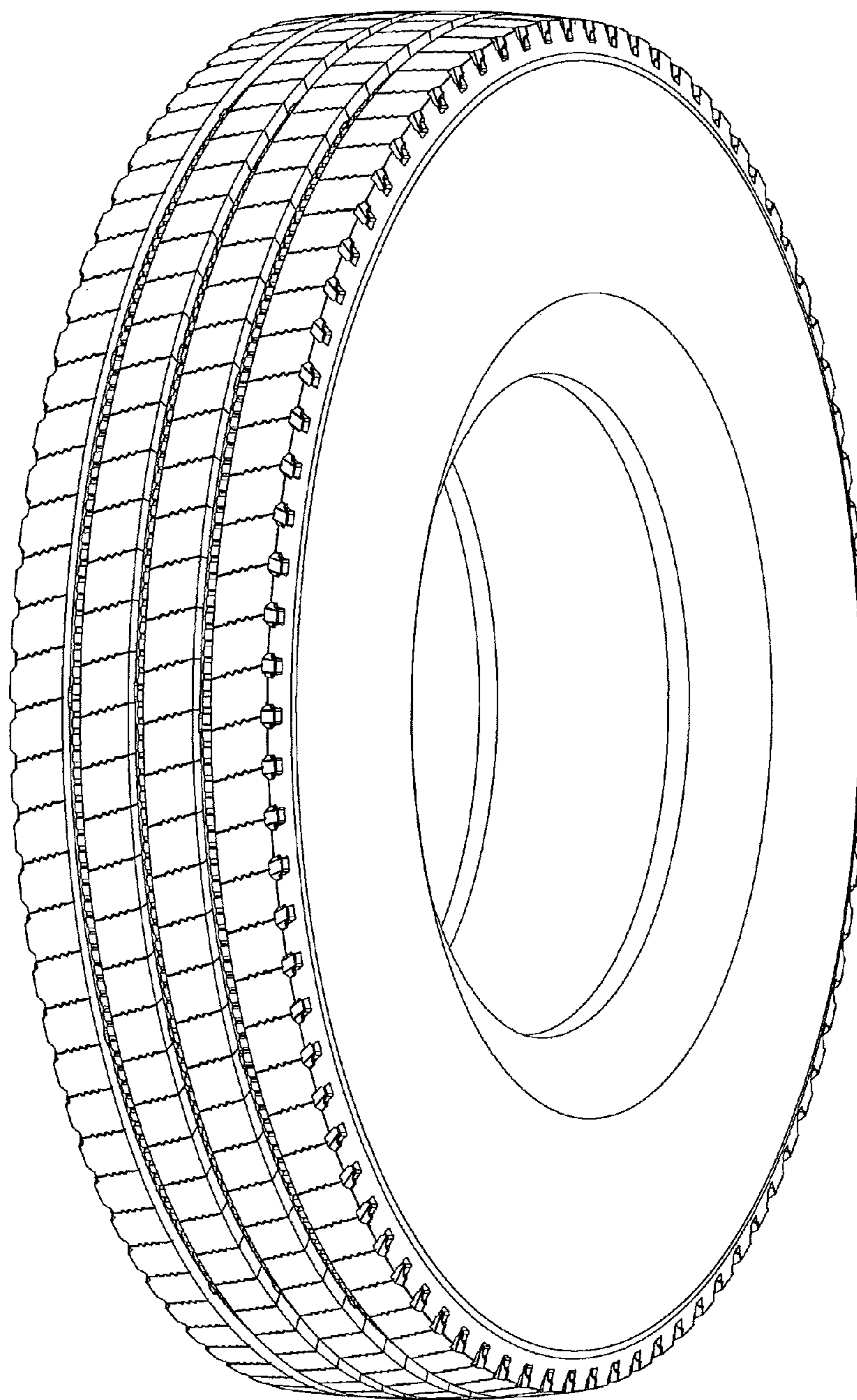


FIG. 2

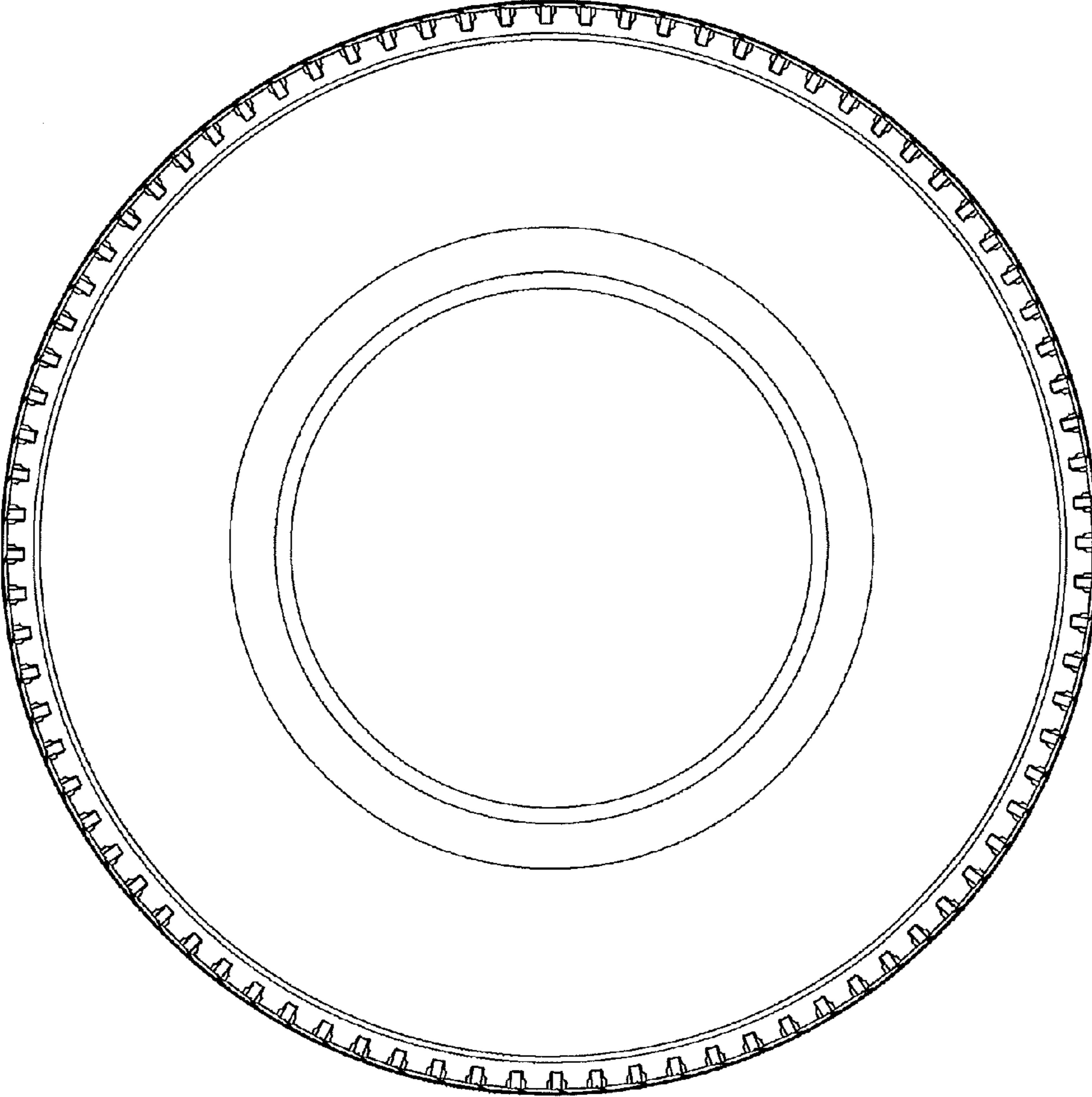


FIG. 3

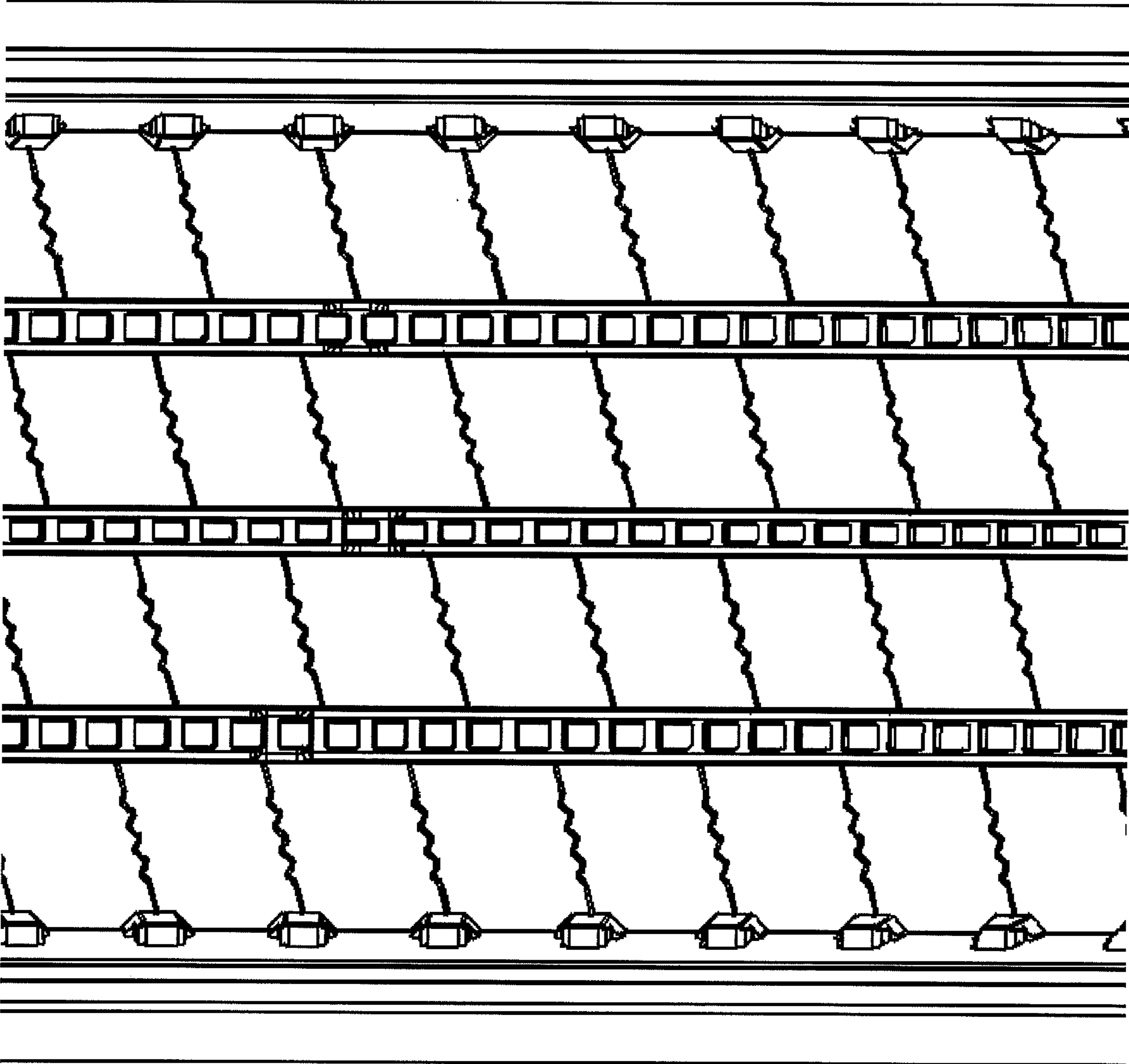


FIG. 4