



US00D640625S

(12) **United States Design Patent**
Nobunaga

(10) **Patent No.:** **US D640,625 S**

(45) **Date of Patent:** **** Jun. 28, 2011**

(54) **TREAD PORTION OF AN AUTOMOBILE TIRE**

(75) Inventor: **Yusuke Nobunaga**, Tokyo (JP)

(73) Assignee: **Bridgestone Corporation**, Tokyo (JP)

(**) Term: **14 Years**

(21) Appl. No.: **29/337,795**

(22) Filed: **May 29, 2009**

(51) **LOC (9) Cl.** **12-15**

(52) **U.S. Cl.** **D12/594**

(58) **Field of Classification Search** D12/592-600
See application file for complete search history.

(56) **References Cited**

U.S. PATENT DOCUMENTS

D420,953 S *	2/2000	Poling	D12/600
D499,694 S *	12/2004	Osaki et al.	D12/594
D610,528 S *	2/2010	Wada et al.	D12/598
D614,566 S *	4/2010	Davidson et al.	D12/600

FOREIGN PATENT DOCUMENTS

EM	000157037-0001 S	6/2004
EM	000289012-0001 S	4/2005
JP	1213371 S	8/2004

OTHER PUBLICATIONS

U.S. Appl. No. 29/330,564, Akira Suganuma, filed Jan. 9, 2009.

* cited by examiner

Primary Examiner — Caron D Veynar

Assistant Examiner — George D Kirschbaum

(74) *Attorney, Agent, or Firm* — Sughrue Mion, PLLC

(57) **CLAIM**

The ornamental design for a tread portion of an automobile tire, as shown and described.

DESCRIPTION

FIG. 1 is a front view of a tread portion of an automobile tire according to a first embodiment, the tread pattern repeating uniformly around the circumference of the tire;

FIG. 2 is a perspective view thereof;

FIG. 3 is a left side view thereof, the right side being a mirror image;

FIG. 4 is a fragmentary enlarged view showing the details of the tread portion thereof;

FIG. 5 is a front view of a tread portion of an automobile tire according to a second embodiment, the tread pattern repeating uniformly around the circumference of the tire;

FIG. 6 is a perspective view thereof;

FIG. 7 is a left side view thereof, the right side being a mirror image; and,

FIG. 8 is a fragmentary enlarged view showing the details of the tread portion thereof.

Broken lines in the drawing figures are intended to show environmental structure only, and form no part of the claimed design.

1 Claim, 8 Drawing Sheets

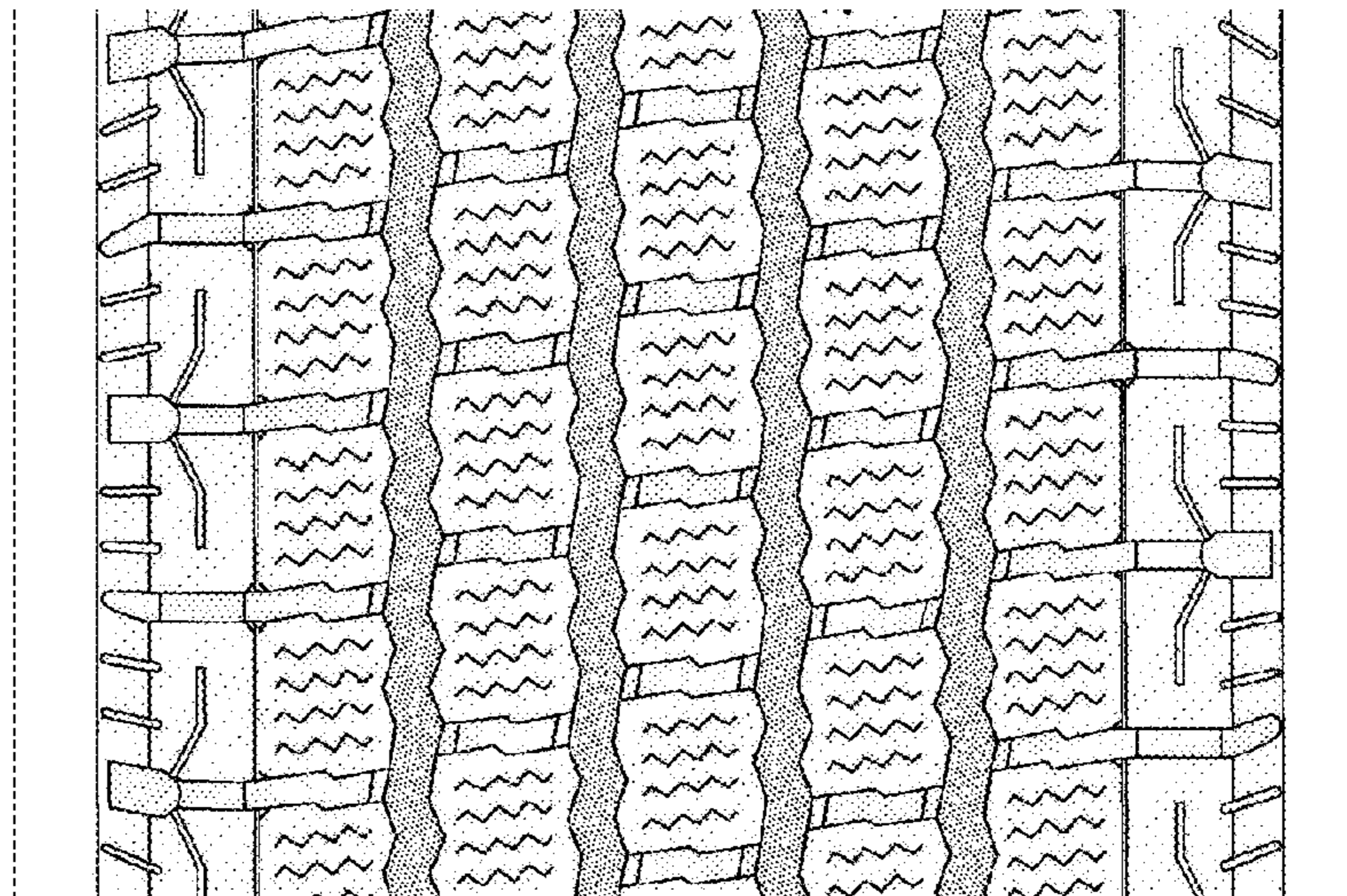
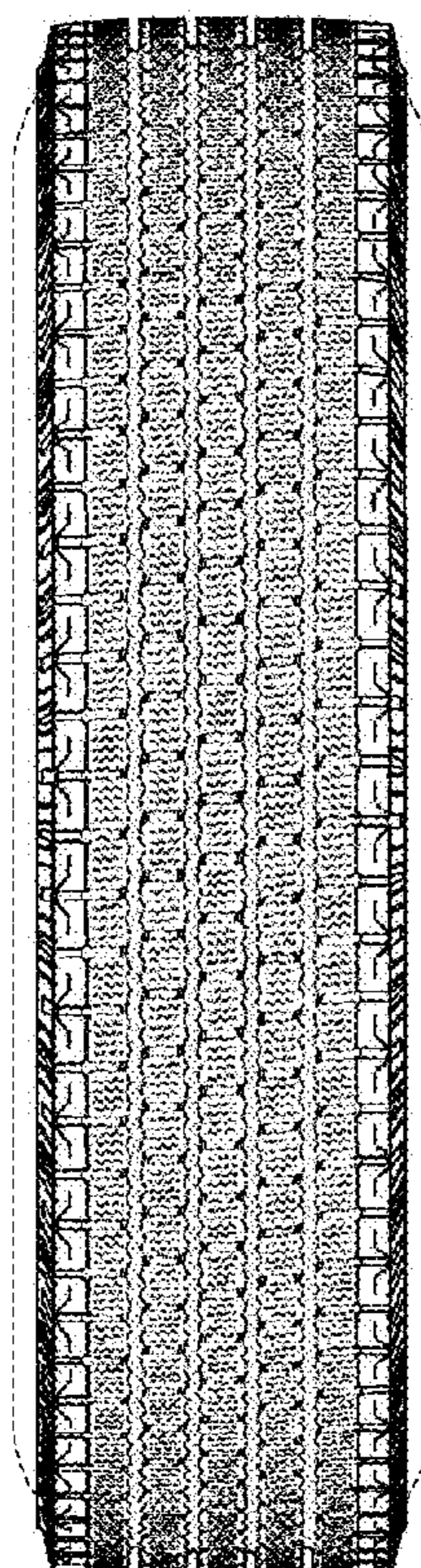


FIG. 1

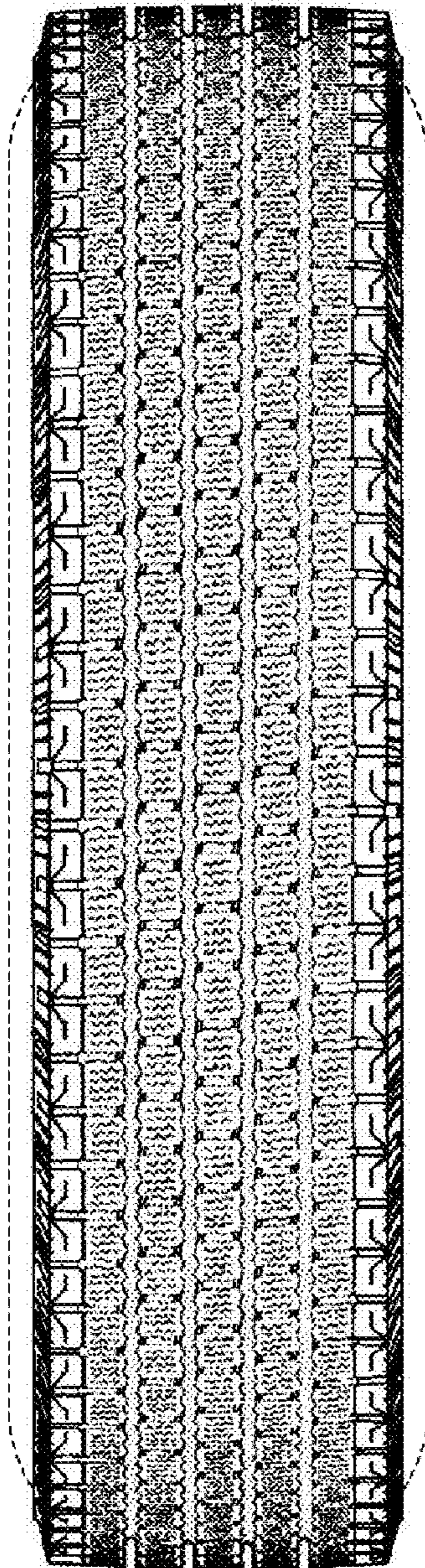


FIG. 2

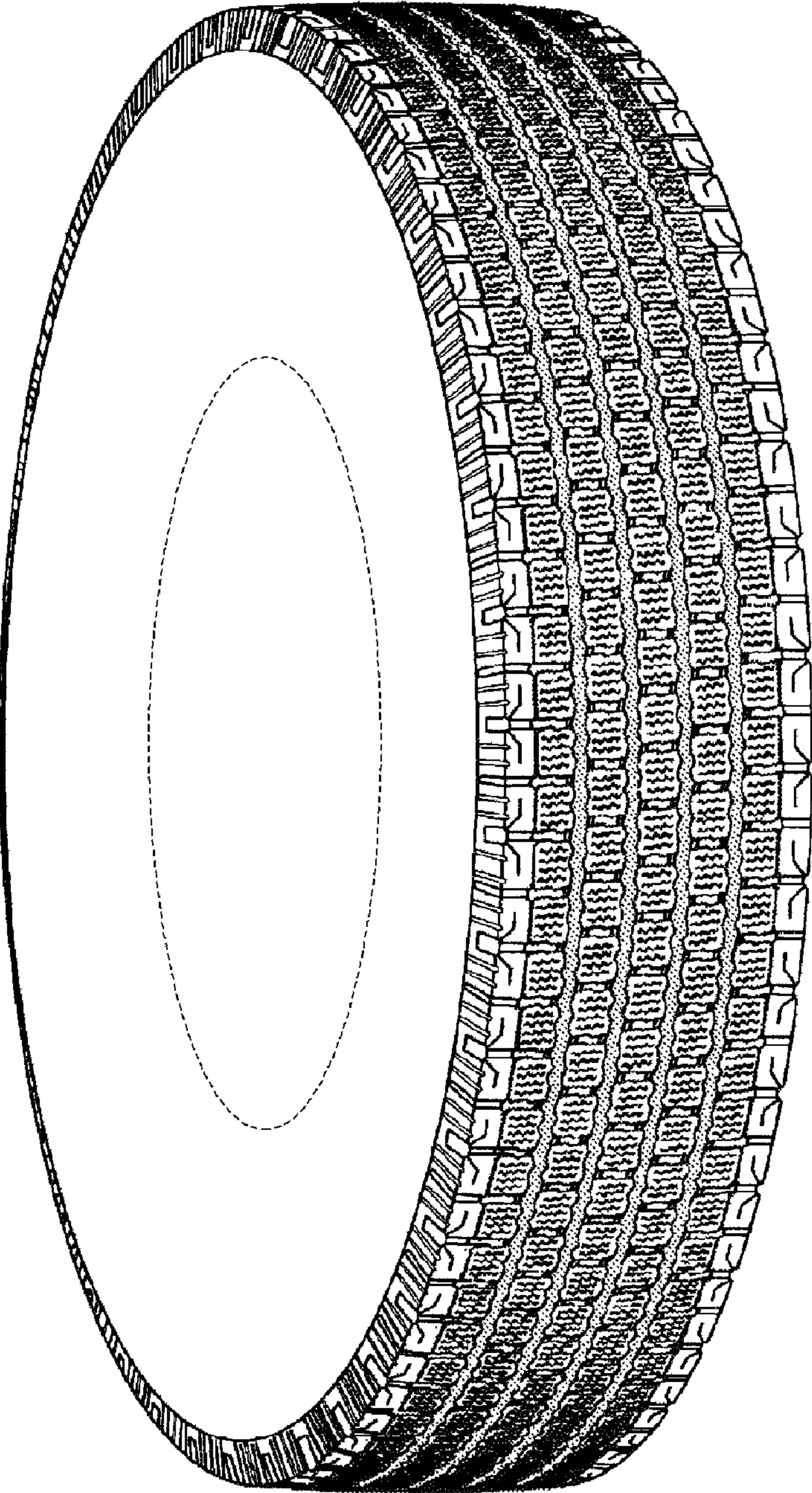


FIG. 3

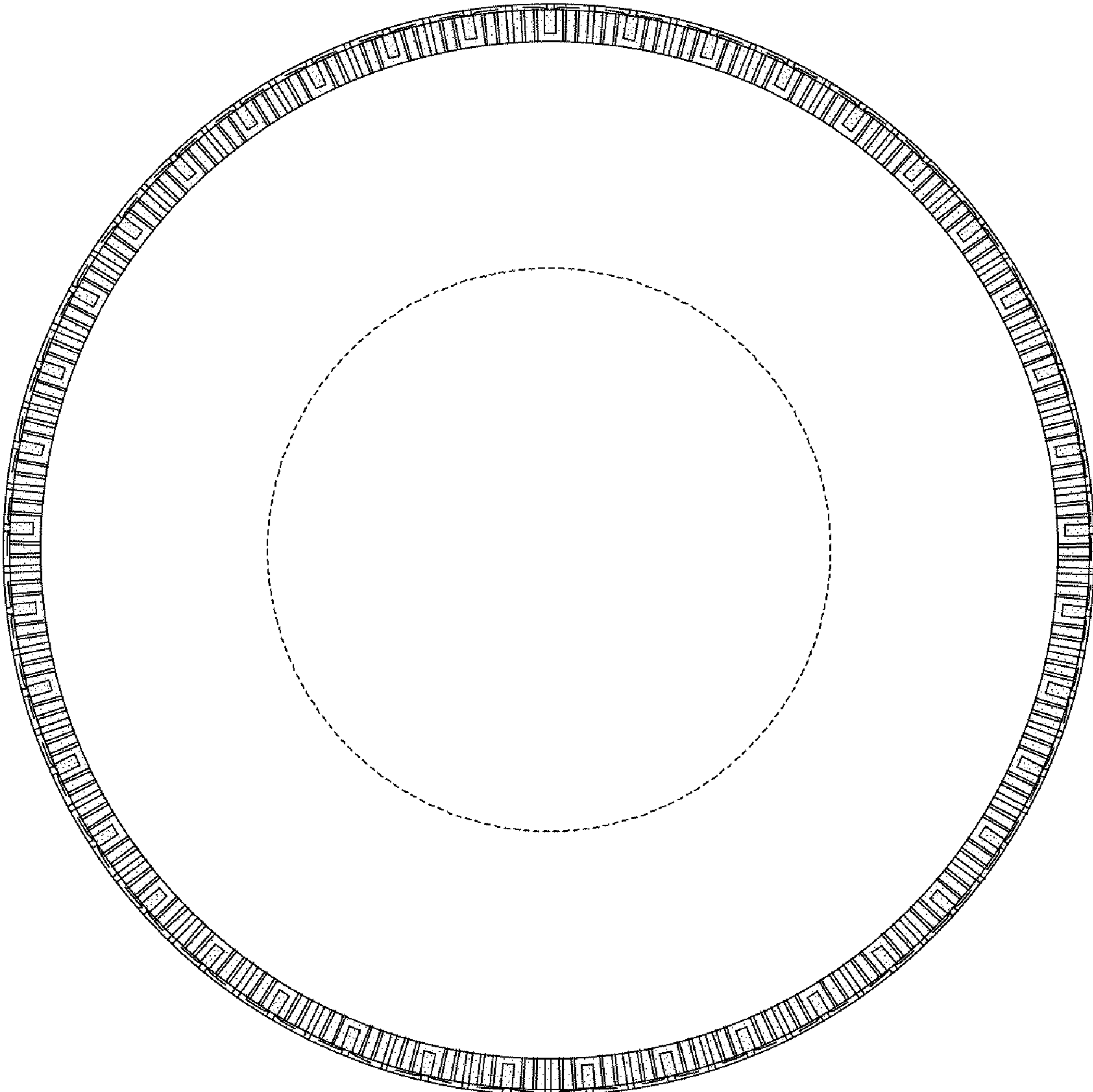


FIG. 4

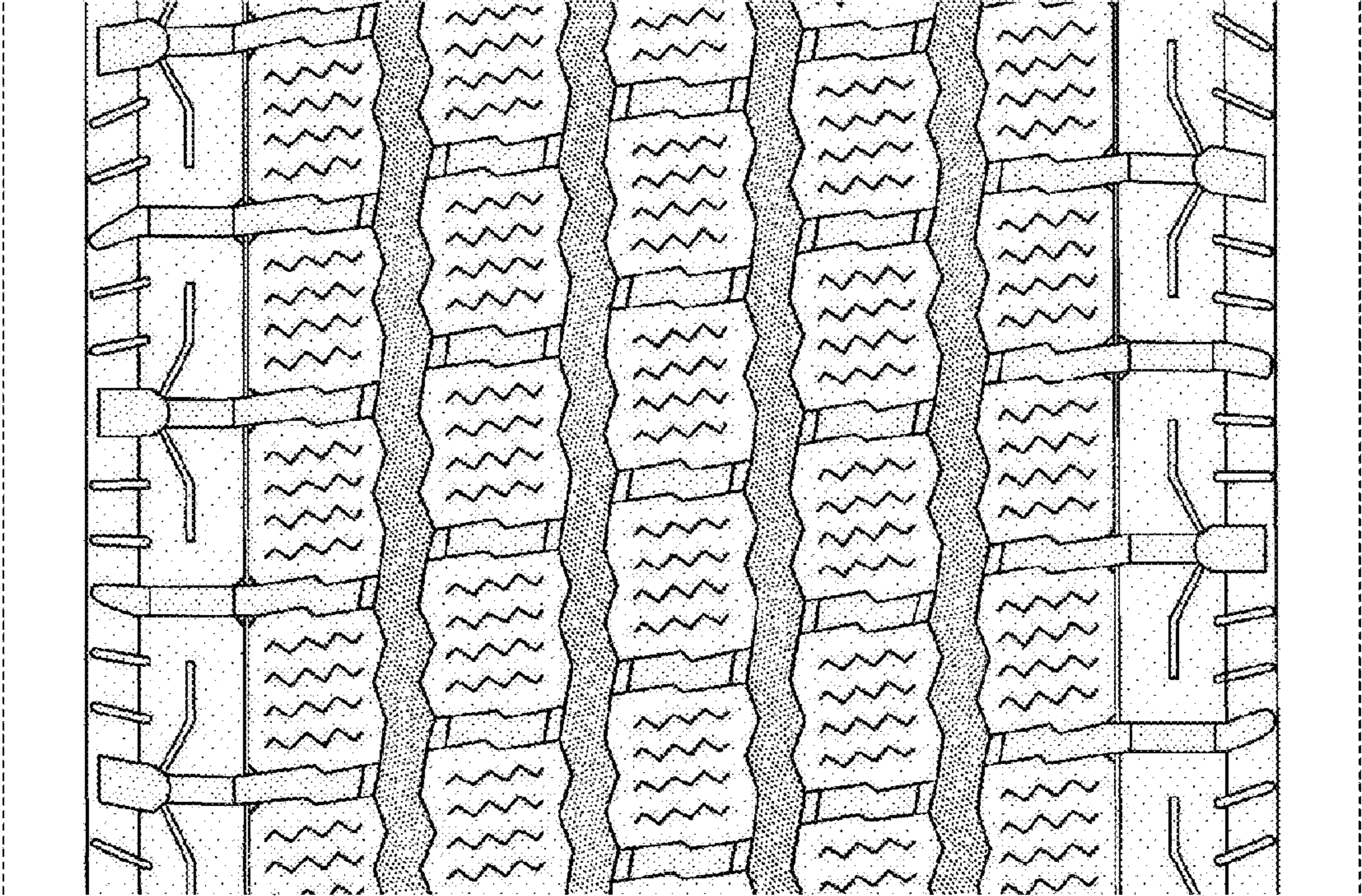


FIG. 5

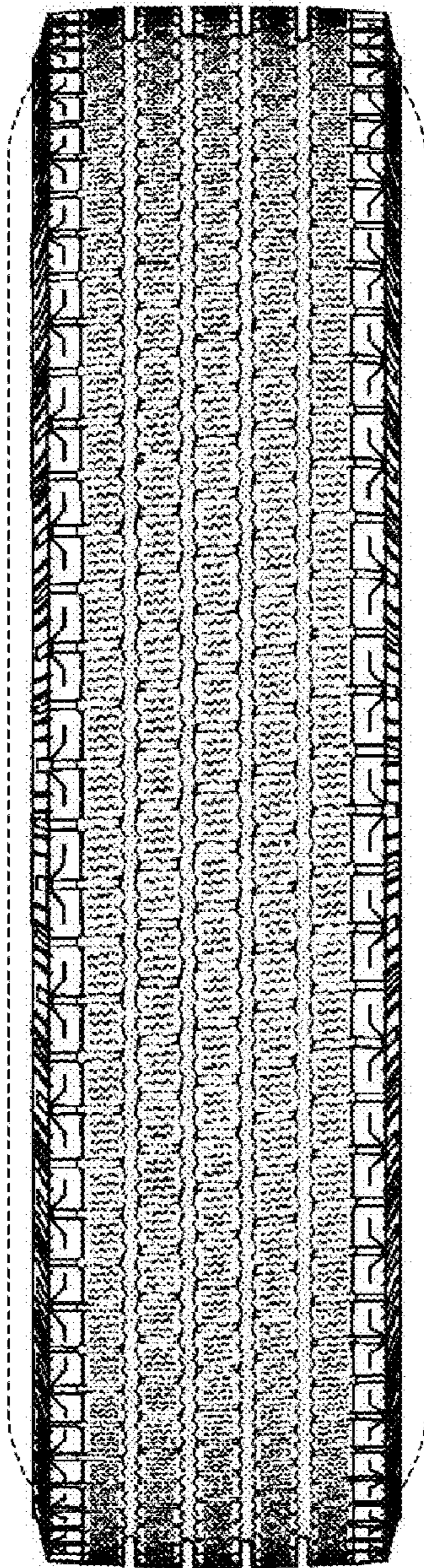


FIG. 6

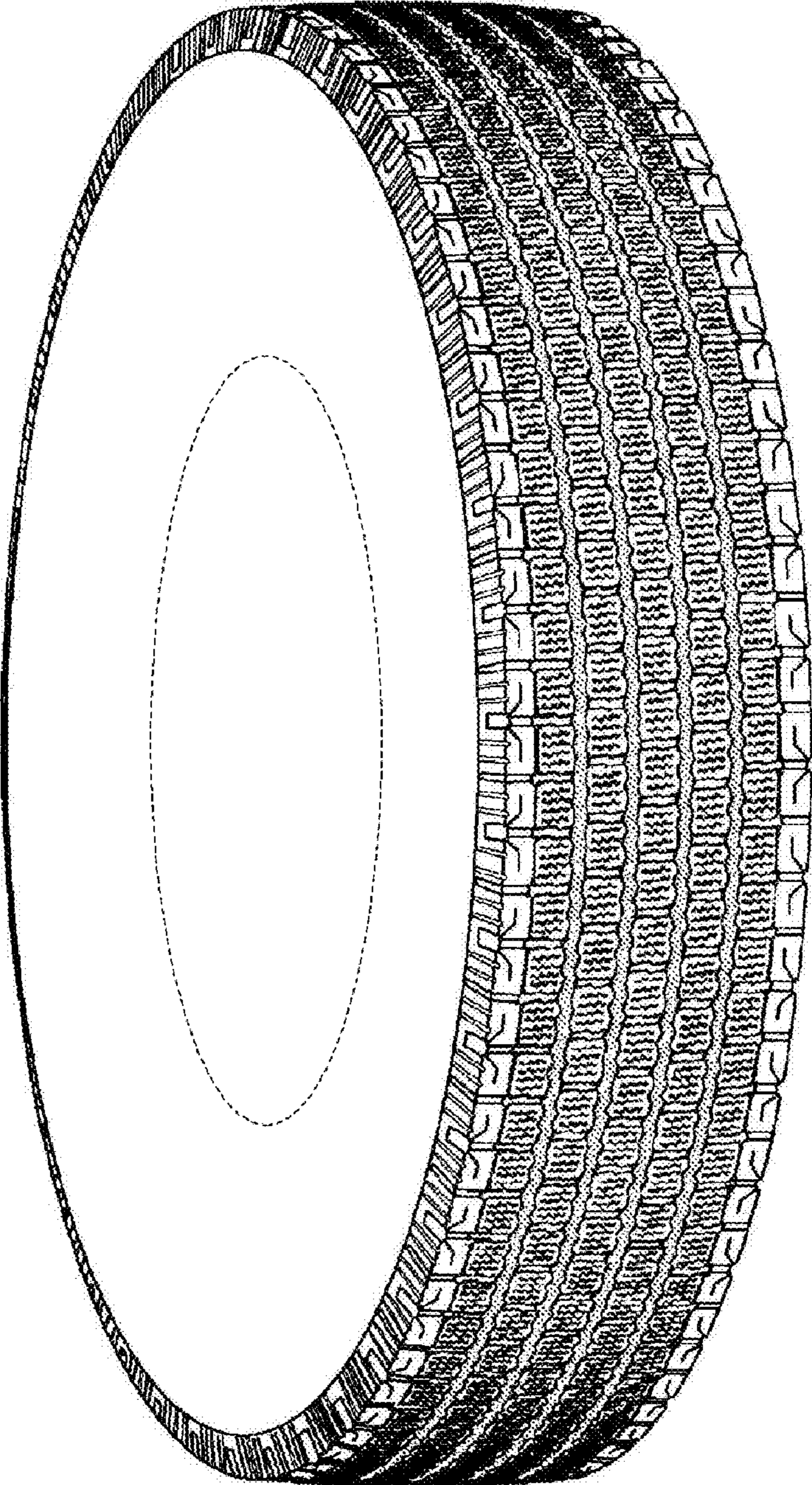


FIG. 7

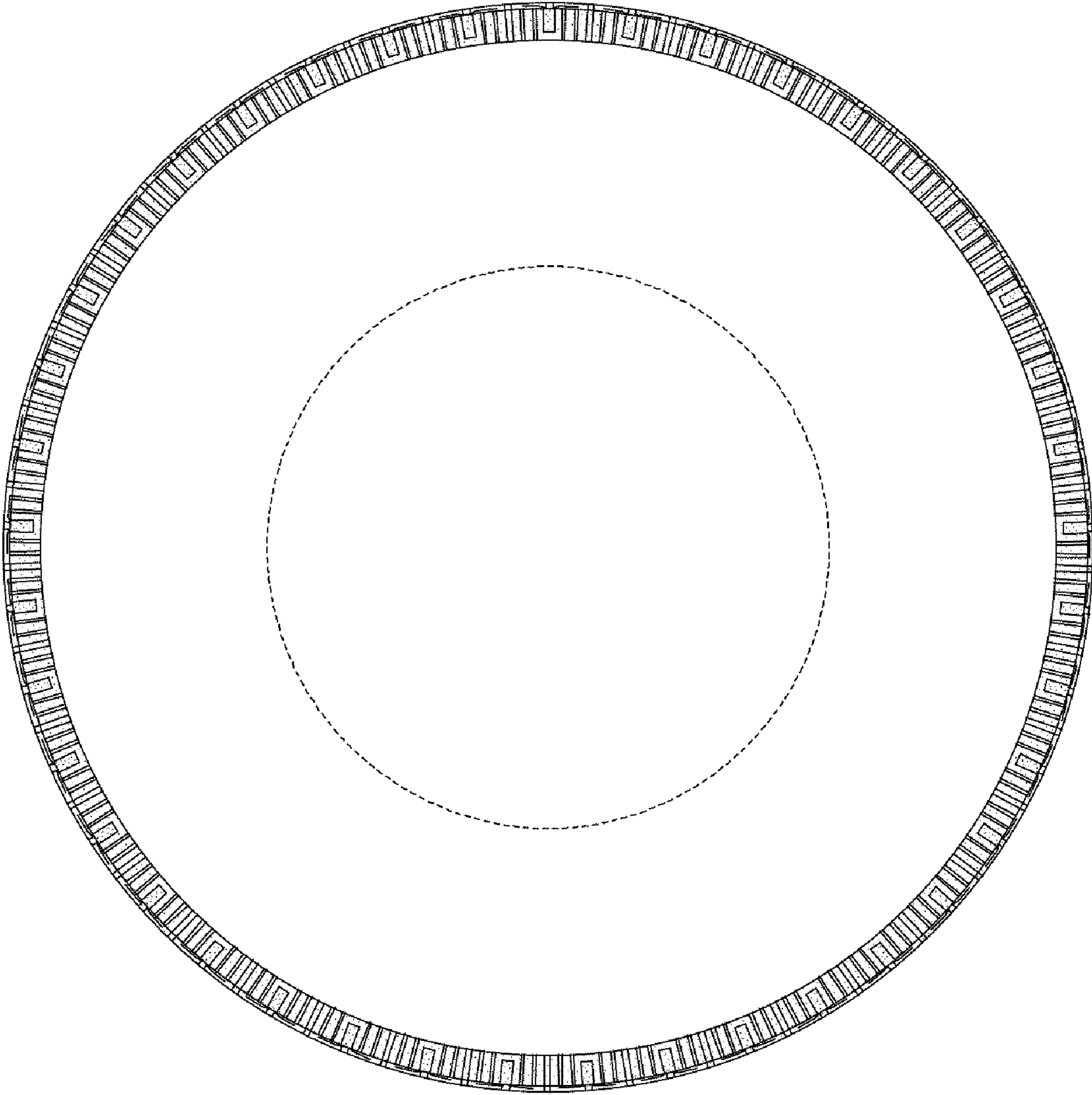


FIG. 8

