



US00D640624S

(12) **United States Design Patent**
Valiquette

(10) **Patent No.:** **US D640,624 S**

(45) **Date of Patent:** **** Jun. 28, 2011**

(54) **CONTAINER HOLDER FOR A BICYCLE**

(76) Inventor: **Keith Edward Valiquette**, Waynesville,
OH (US)

(**) Term: **14 Years**

(21) Appl. No.: **29/367,796**

(22) Filed: **Aug. 13, 2010**

(51) **LOC (9) Cl.** **12-11**

(52) **U.S. Cl.** **D12/411**

(58) **Field of Classification Search** D12/411,
D12/111, 407, 114; 224/412-427, 42.11,
224/440, 441, 431, 432, 436, 442-449, 456,
224/461, 536, 537, 42.13, 548, 552, 558,
224/570, 571, 563, 275; D7/601, 708.1,
D7/607, 608, 619, 620; 248/311.2, 312.1,
248/316.1, 313; 280/288.4

See application file for complete search history.

(56) **References Cited**

U.S. PATENT DOCUMENTS

4,441,638 A * 4/1984 Shimano 224/414
4,640,449 A * 2/1987 Blackburn 224/414
D336,871 S * 6/1993 Lee-Chang D12/114
D346,996 S * 5/1994 Blackburn D12/411

D355,337 S * 2/1995 Eisenbraun et al. D7/620
5,810,228 A * 9/1998 Brokering 224/414
D557,653 S * 12/2007 Meggiolan D12/411
D605,578 S * 12/2009 Retief D12/411
2004/0217247 A1 * 11/2004 Andrews 248/311.2
2010/0237118 A1 * 9/2010 Altshuler 224/414

* cited by examiner

Primary Examiner — Susan M Lee

Assistant Examiner — Linda G. Brooks

(74) *Attorney, Agent, or Firm* — Dinsmore & Shohl, LLP

(57) **CLAIM**

The ornamental design for a container holder for a bicycle, as shown and described.

DESCRIPTION

FIG. 1 is a perspective view of a container holder for a bicycle illustrating my new design;

FIG. 2 is a top planar view thereof;

FIG. 3 is a bottom planar view thereof;

FIG. 4 is a right side elevational view thereof;

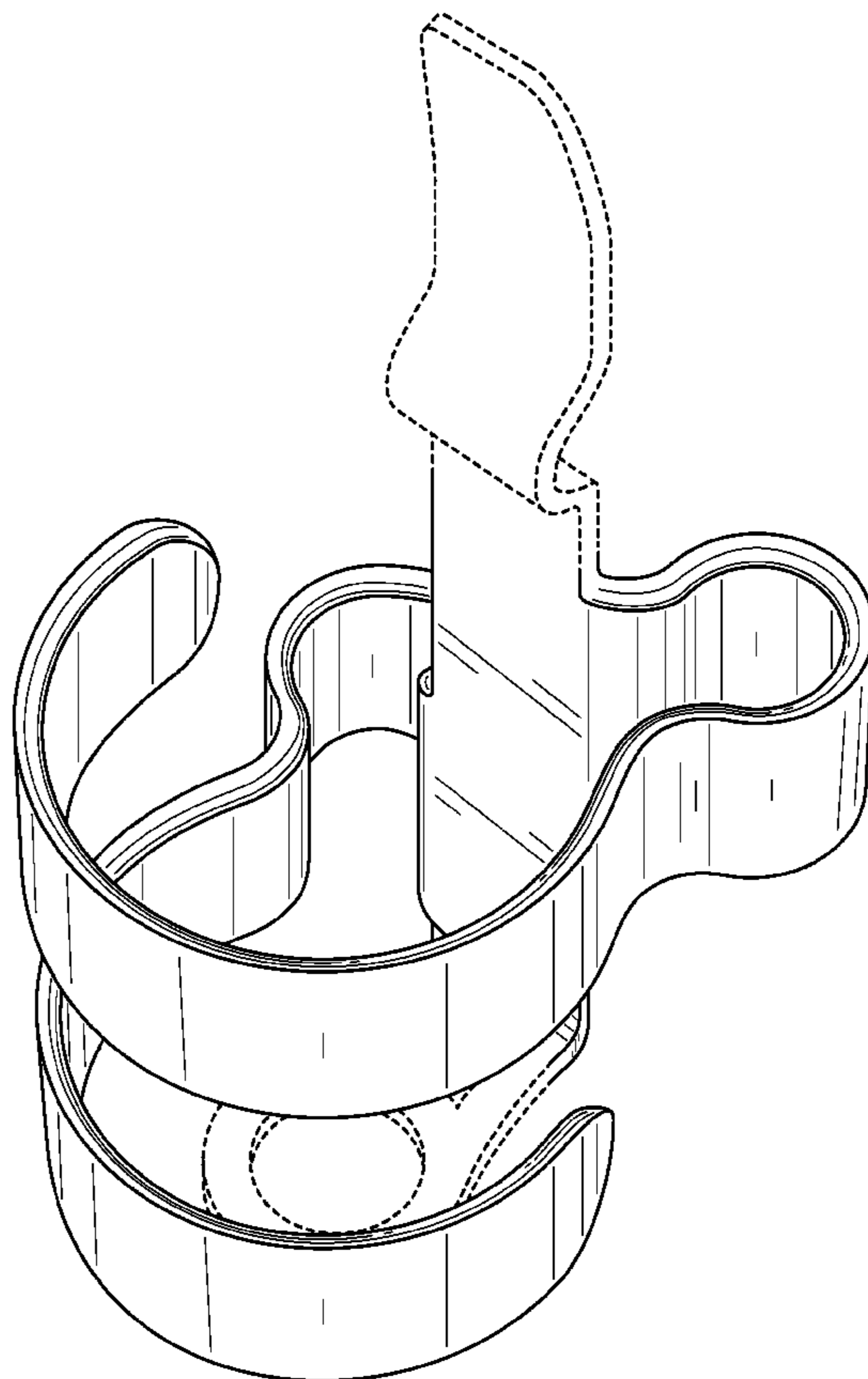
FIG. 5 is a left side elevational view thereof;

FIG. 6 is a front side elevational view thereof; and,

FIG. 7 is a back side elevational view thereof.

The broken lines form no part of the claimed design.

1 Claim, 7 Drawing Sheets



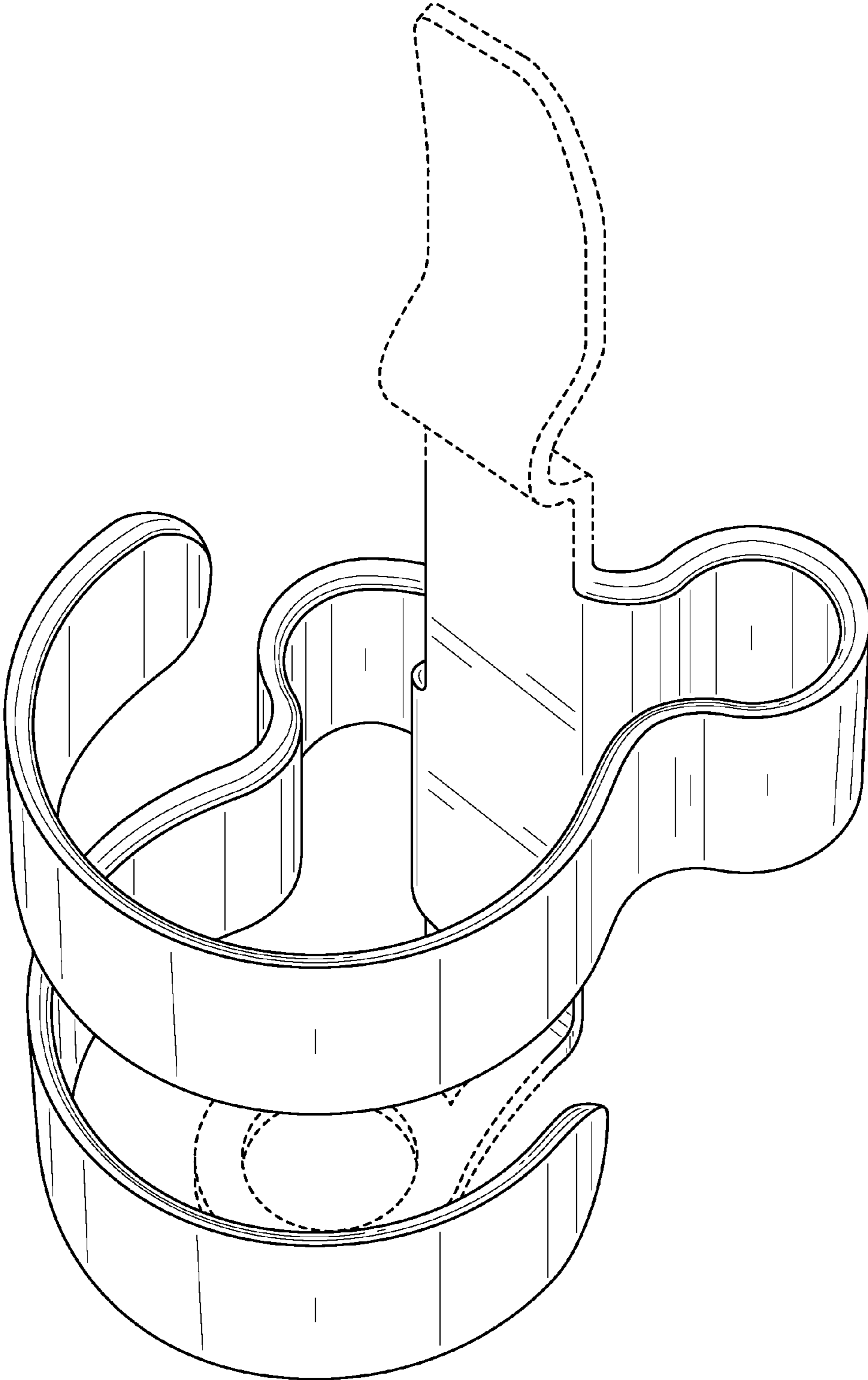


FIG. 1

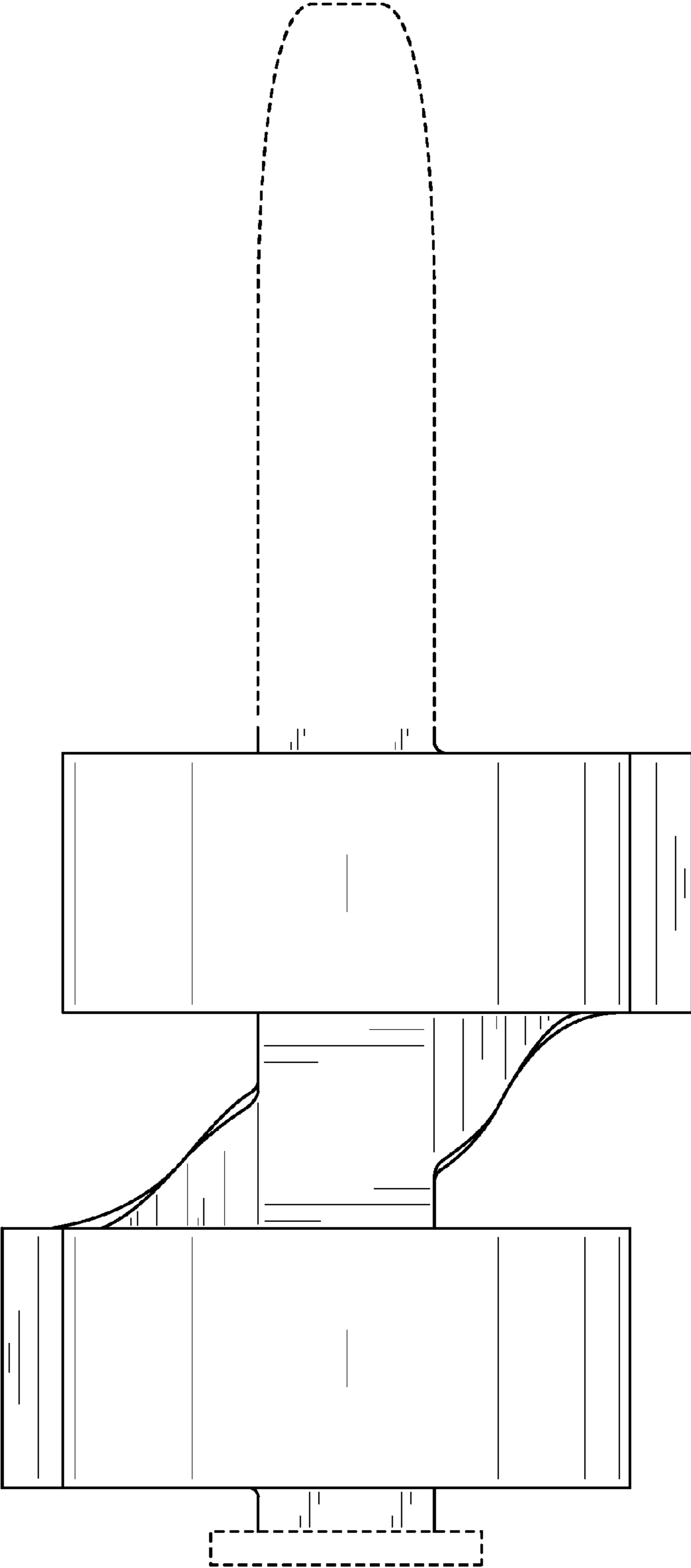


FIG. 2

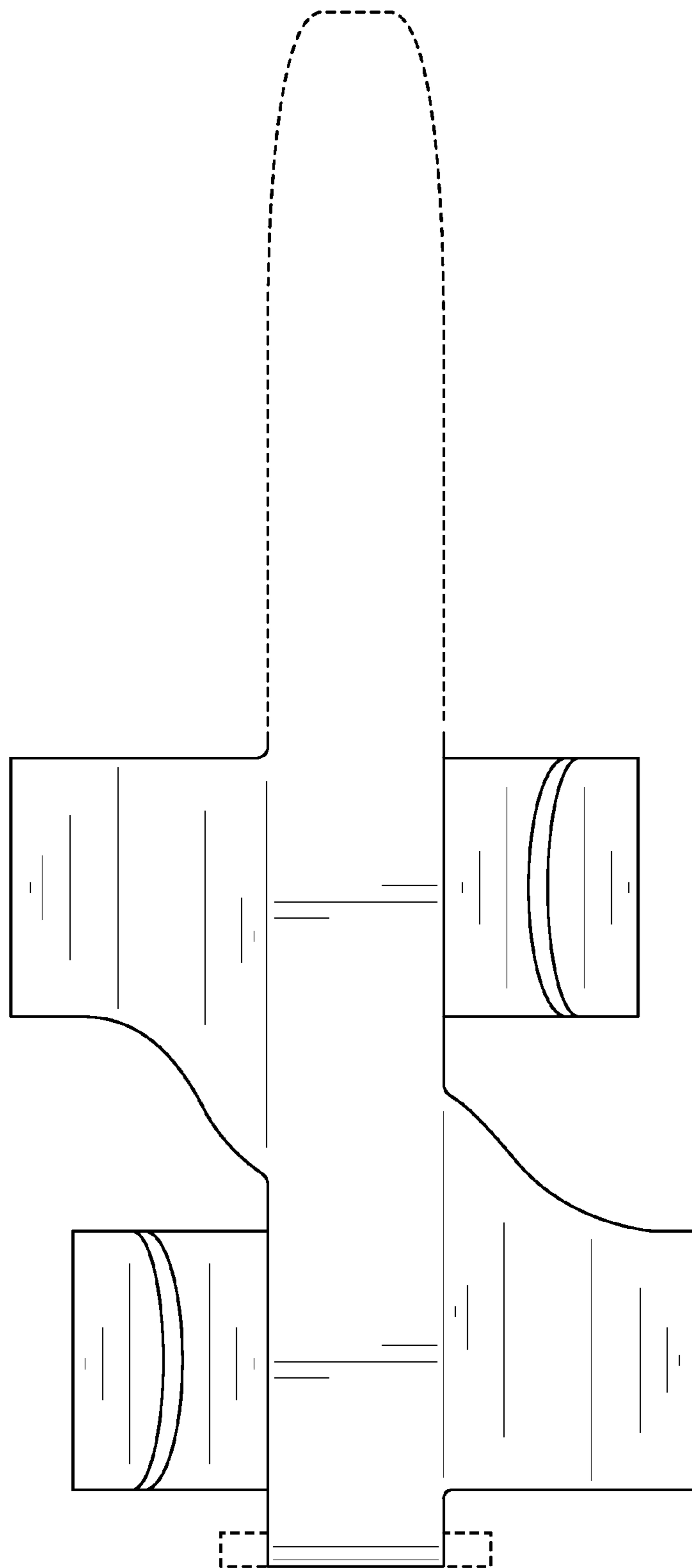


FIG. 3

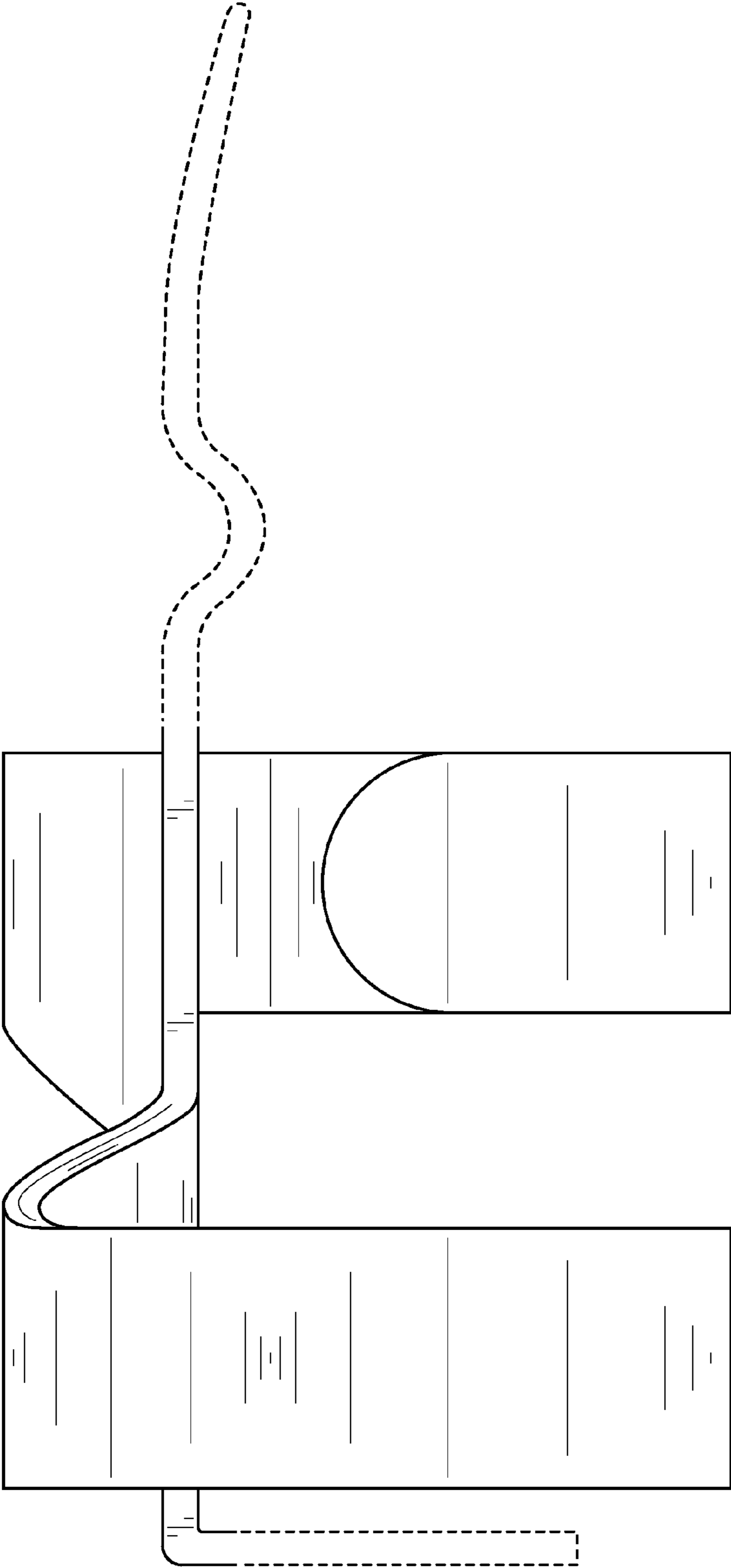


FIG. 4

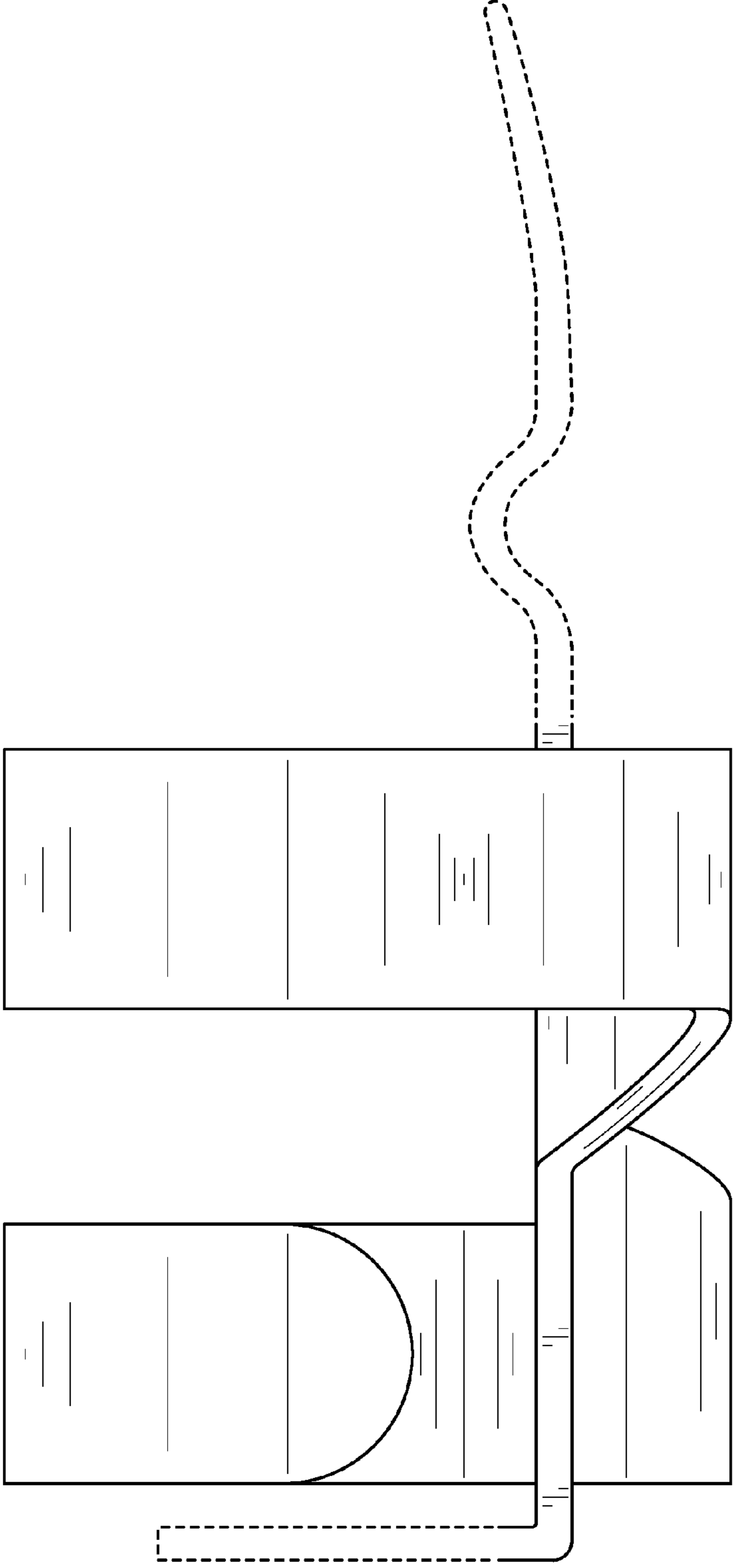


FIG. 5

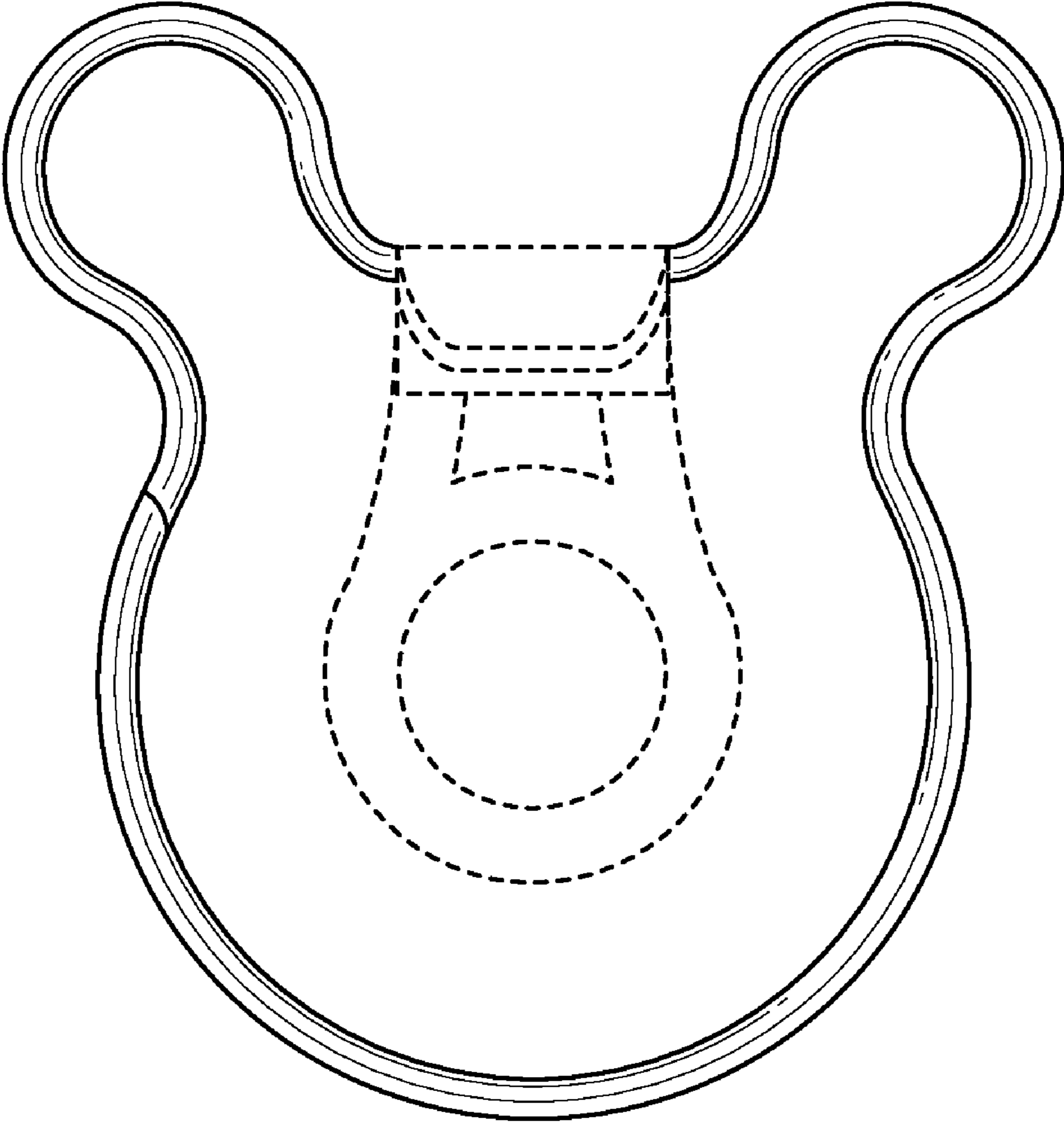


FIG. 6

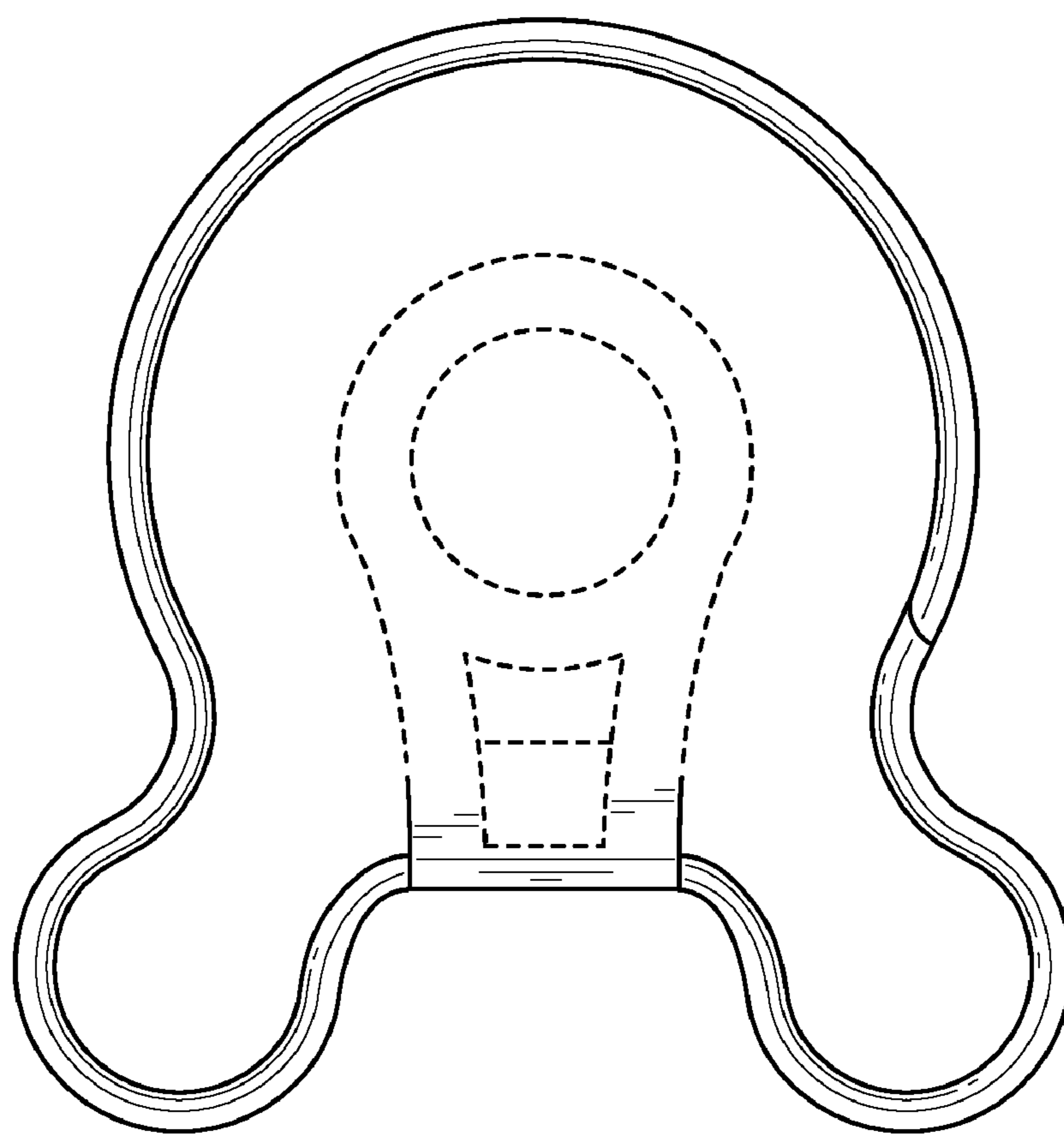


FIG. 7