



US00D640622S

(12) **United States Design Patent**  
**Schmitz et al.**

(10) **Patent No.:** **US D640,622 S**  
(45) **Date of Patent:** **\*\* Jun. 28, 2011**

- (54) **INNER PORTION OF A BRAKE ROTOR**
- (75) Inventors: **Johann Schmitz**, Wurlmlingen (DE);  
**Ingo Hoffmann**, Tuttlingen (DE);  
**Manfred Pallentien**, Engen (DE)
- (73) Assignee: **Schwäbische Hüttenwerke Automotive GmbH & Co. KG** (DE)
- (\*\*) Term: **14 Years**
- (21) Appl. No.: **29/367,118**
- (22) Filed: **Aug. 3, 2010**

**Related U.S. Application Data**

- (62) Division of application No. 29/306,267, filed on Apr. 4, 2008, now Pat. No. Des. 624,472.

**Foreign Application Priority Data**

- (30) Oct. 4, 2007 (DE) ..... 407 04 958
- (51) **LOC (9) Cl.** ..... **12-16**
- (52) **U.S. Cl.** ..... **D12/180**
- (58) **Field of Classification Search** ..... D12/179,  
D12/180; 188/218 XL, 264 R, 26, 73, 1,  
188/24.22, 73.31-73.43

See application file for complete search history.

**References Cited**

**U.S. PATENT DOCUMENTS**

- 1,873,974 A \* 8/1932 Meyer ..... 416/186 R
- 4,186,826 A 2/1980 MacKendrick et al.
- 4,194,597 A 3/1980 Evans et al.
- 4,428,717 A \* 1/1984 Catterfeld ..... 416/186 R
- 5,181,588 A 1/1993 Emmons
- 5,249,649 A 10/1993 Emmons
- D355,253 S 2/1995 Jansen et al.
- 5,407,035 A 4/1995 Cole et al.
- 5,417,313 A 5/1995 Matsuzaki et al.
- 5,439,081 A 8/1995 Glass

- D376,783 S 12/1996 Magalhaes
- 6,053,290 A 4/2000 Goddard
- 6,136,374 A 10/2000 Reuscher
- D446,756 S 8/2001 York
- D456,326 S 4/2002 York
- 6,371,250 B1 4/2002 Bunker
- D458,882 S 6/2002 Oberti
- D465,179 S 11/2002 Ballinger
- 6,523,651 B2 2/2003 Schaus et al.
- 6,564,913 B2 5/2003 Baumgartner et al.
- D476,932 S 7/2003 Fishburn et al.
- 6,626,273 B1 9/2003 Baumgartner et al.
- D482,643 S 11/2003 Gavin
- D484,836 S 1/2004 Gavin
- 6,986,410 B2 1/2006 Simmons et al.
- 7,028,816 B2 4/2006 Baumgartner et al.
- 7,066,306 B2 6/2006 Gavin
- 7,097,006 B2 8/2006 Veneziano et al.
- 7,097,007 B2 8/2006 Lin
- 7,159,698 B2 1/2007 Banks et al.
- 7,219,777 B2 \* 5/2007 Lin ..... 188/218 XL
- 7,219,778 B2 5/2007 Pete et al.
- 7,228,947 B2 6/2007 Meroni et al.
- D565,487 S 4/2008 Zhang
- D565,617 S 4/2008 Chang et al.
- 7,487,862 B2 2/2009 Carlson et al.
- D591,092 S 4/2009 Lenterman

(Continued)

*Primary Examiner* — Cynthia Underwood  
(74) *Attorney, Agent, or Firm* — Gray Robinson, PA

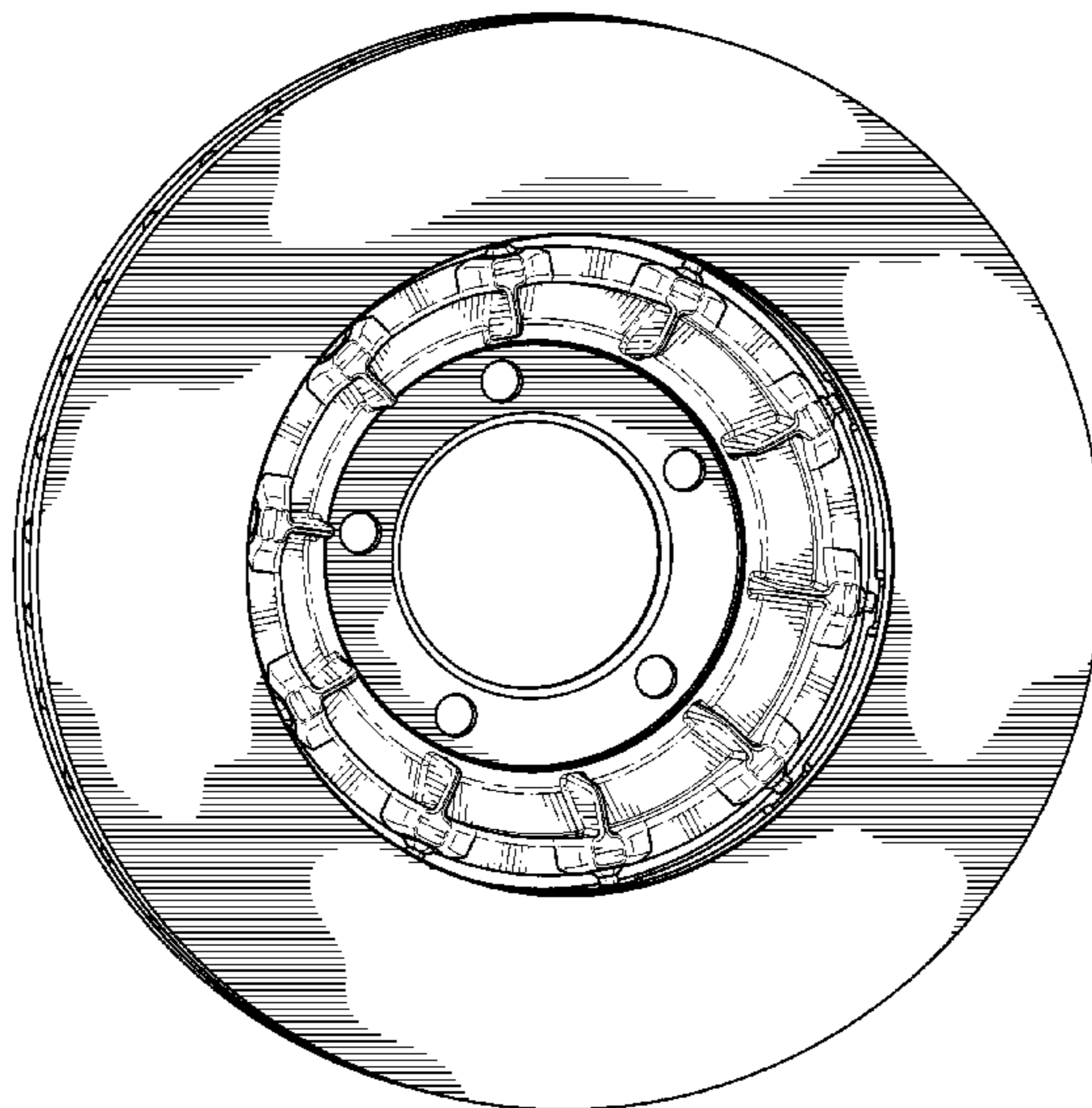
(57) **CLAIM**

The ornamental design of an inner portion of a brake rotor, as shown and described.

**DESCRIPTION**

FIG. 1 is a perspective view of an inner portion of a brake rotor as viewed from a slightly sidewardly-angled, generally front-elevational view; and, FIG. 2 is perspective view thereof, as viewed from a generally side-elevational view.

**1 Claim, 1 Drawing Sheet**



# US D640,622 S

Page 2

---

U.S. PATENT DOCUMENTS								
7,543,691	B2	6/2009	Hopkins et al.	D619,521	S *	7/2010	Schmitz et al. ....	D12/180
D595,738	S	7/2009	Shimokawa	2006/0086579	A1 *	4/2006	Gerber .....	188/218 XL
7,568,560	B2	8/2009	Lin	2006/0124410	A1	6/2006	Drage	
D603,314	S *	11/2009	Schmitz et al. ....	2007/0119667	A1 *	5/2007	Hanna et al. ....	188/218 XL
D605,099	S	12/2009	Schmitz et al.	2007/0199778	A1 *	8/2007	Lee .....	188/218 XL
D605,570	S	12/2009	Schmitz et al.	2008/0135359	A1	6/2008	Basirico et al.	
D607,795	S	1/2010	Schmitz et al.	2009/0000884	A1	1/2009	Layton et al.	
D607,796	S	1/2010	Schmitz et al.	2009/0020379	A1 *	1/2009	Hanna et al. ....	188/218 XL
D608,706	S	1/2010	Schmitz et al.	2009/0078515	A1 *	3/2009	Xia .....	188/218 XL
D609,147	S *	2/2010	Schmitz et al. ....	2009/0218183	A1 *	9/2009	Burgoon et al. ....	188/218 XL
D609,148	S *	2/2010	Schmitz et al. ....					

\* cited by examiner

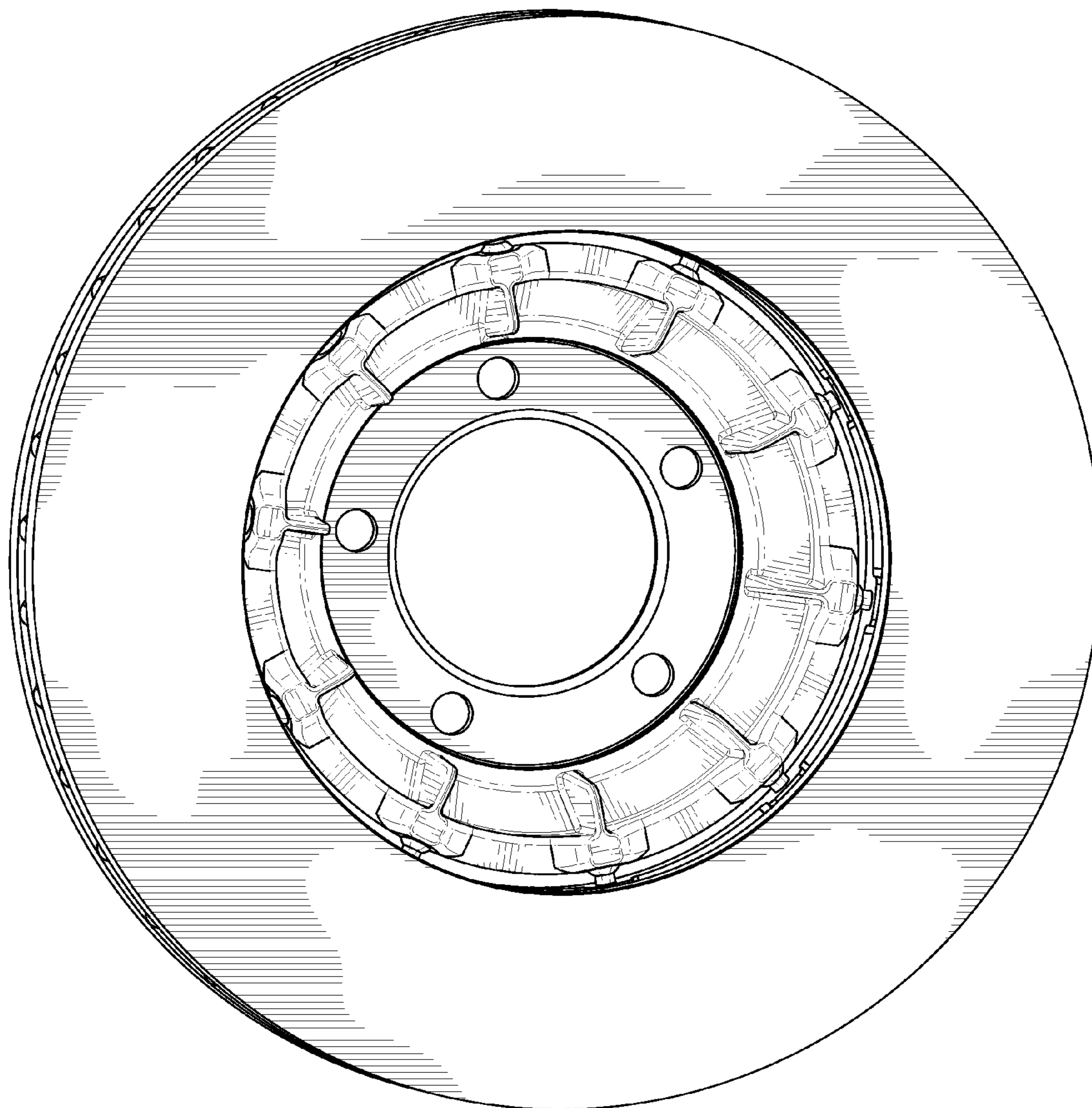


FIG. 1

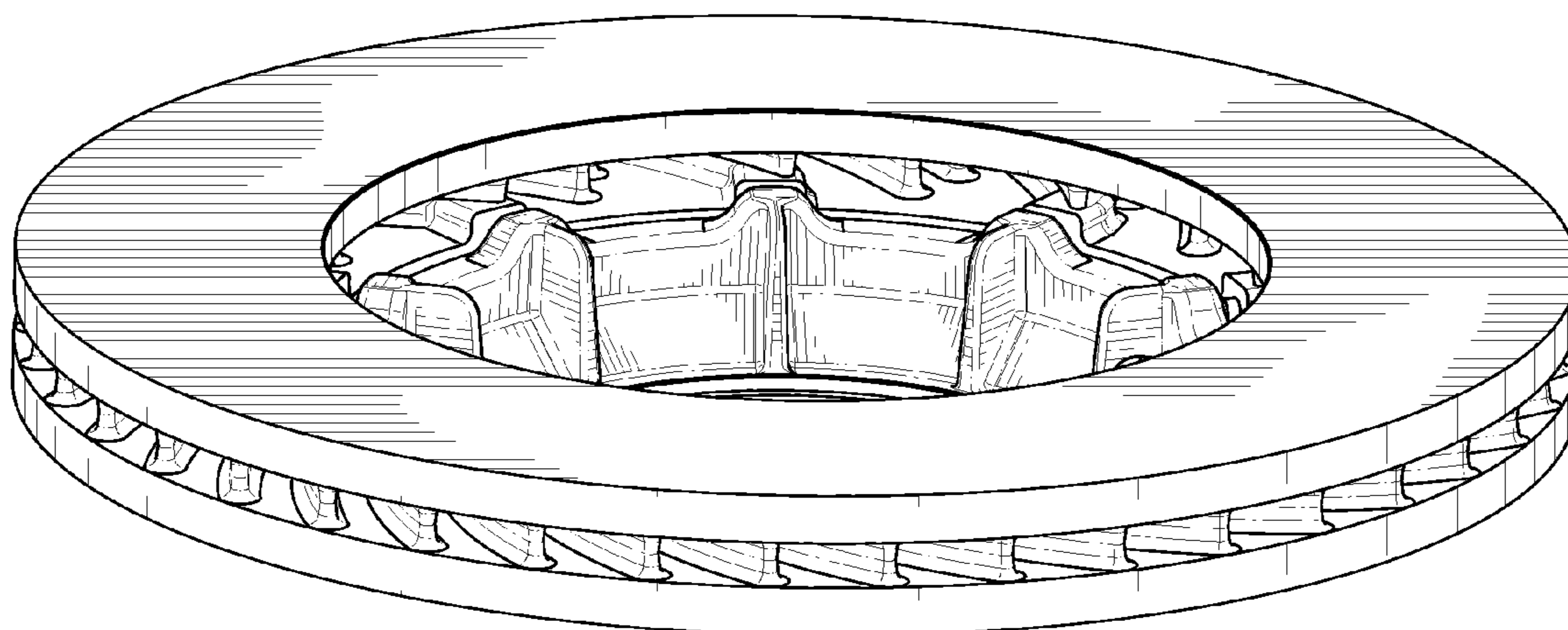


FIG. 2