



US00D640618S

(12) **United States Design Patent**  
**Lorenzo**

(10) **Patent No.:** **US D640,618 S**  
(45) **Date of Patent:** **\*\* Jun. 28, 2011**

(54) **ADJUSTABLE AUTOMOBILE BUMPER PROTECTOR**

D619,060 S \* 7/2010 Lorenzo ..... D12/171  
D619,061 S \* 7/2010 Lorenzo ..... D12/171  
D626,474 S \* 11/2010 Lorenzo ..... D12/171

\* cited by examiner

(76) Inventor: **Taurino Lorenzo**, Bronx, NY (US)

*Primary Examiner* — Melody N Brown

(\*\*) Term: **14 Years**

(74) *Attorney, Agent, or Firm* — Ashok Tankha; Lipton, Weinterger & Husick

(21) Appl. No.: **29/377,104**

(57) **CLAIM**

(22) Filed: **Oct. 18, 2010**

The ornamental design for an adjustable automobile bumper protector, as shown and described.

(51) **LOC (9) Cl.** ..... **12-16**

**DESCRIPTION**

(52) **U.S. Cl.** ..... **D12/171**

(58) **Field of Classification Search** ..... D12/171,  
D12/163, 98, 90-92; 180/86.1, 86.2; 296/183.1,  
296/97.7, 95.1; 280/163, 164; 150/168  
See application file for complete search history.

FIG. 1 is a front perspective view of an adjustable automobile bumper protector showing my new design.

FIG. 2 is a rear perspective view thereof.

FIG. 3 is a top perspective view thereof; and,

FIG. 4 is a front perspective view of the adjustable automobile bumper protector detachably secured to a bumper of an automobile.

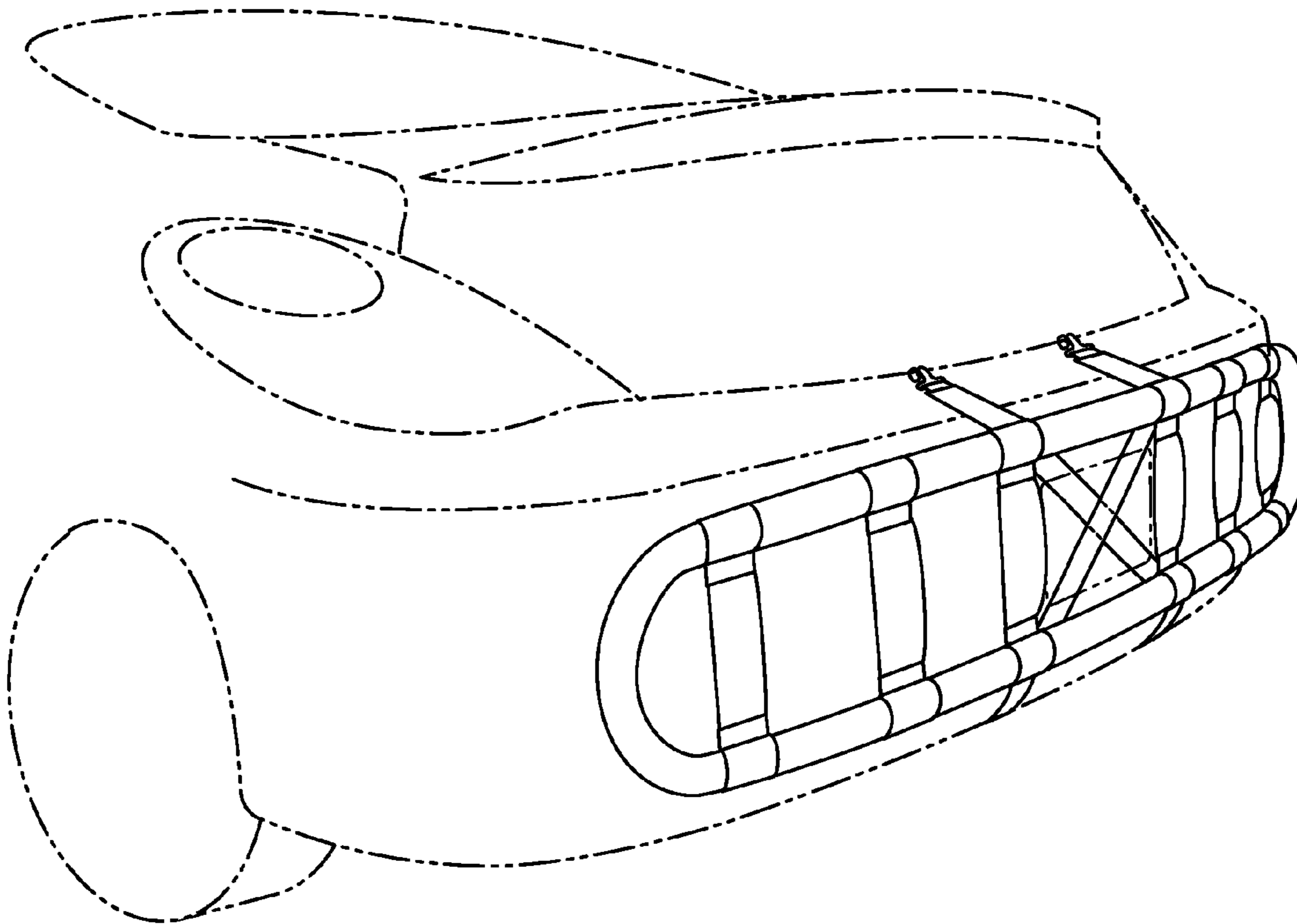
The broken line portions shown in FIG. 4 of the drawing are for illustrative purposes only and form no part of the claimed design.

(56) **References Cited**

U.S. PATENT DOCUMENTS

D393,828 S \* 4/1998 Threats, Sr. .... D12/401  
D411,162 S \* 6/1999 Richter ..... D12/401  
D557,179 S \* 12/2007 Manalac ..... D12/171  
D570,264 S \* 6/2008 Spry ..... D12/171

**1 Claim, 3 Drawing Sheets**



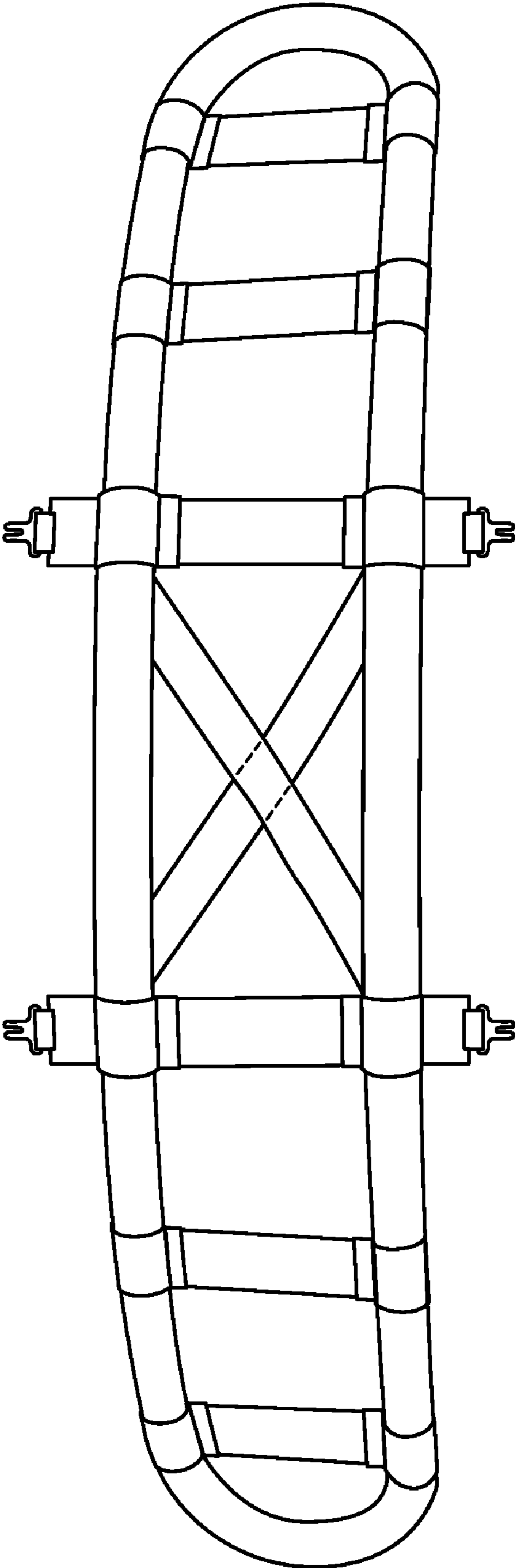


FIG. 1

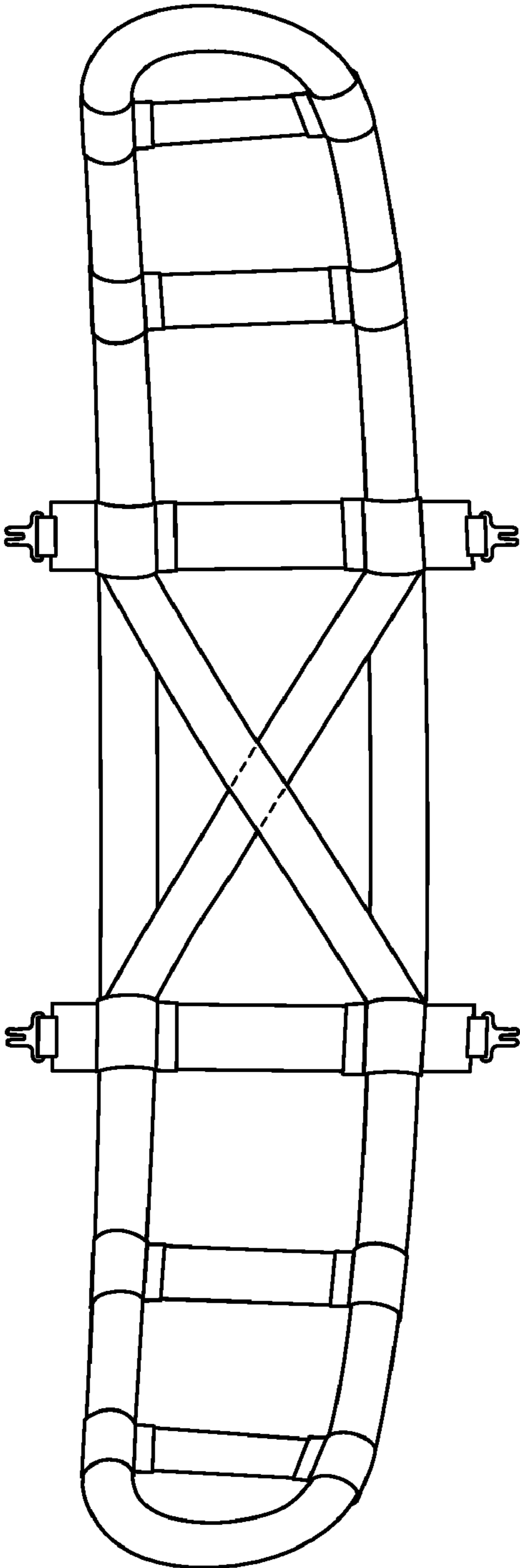


FIG. 2



FIG. 3

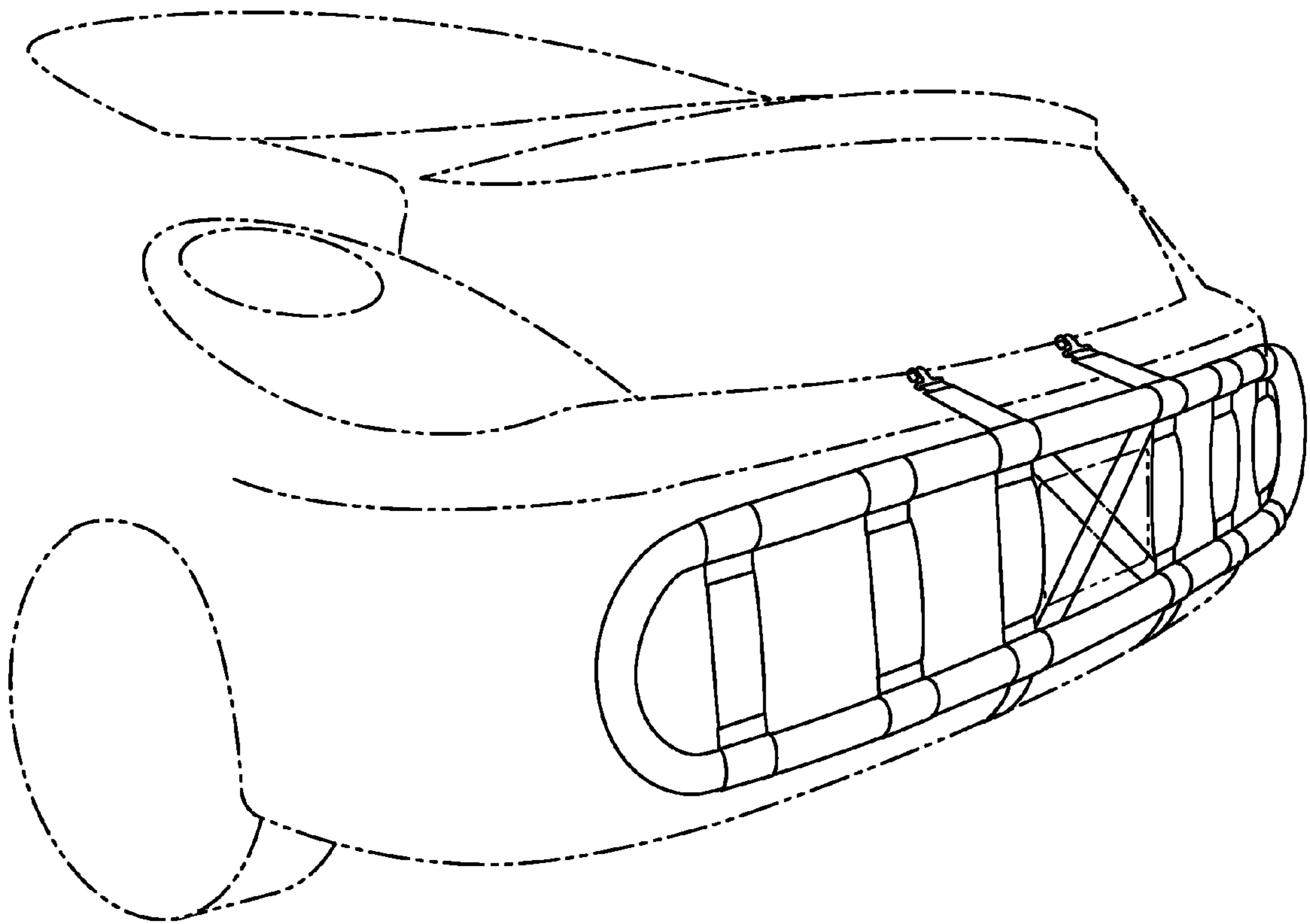


FIG. 4