



US00D640616S

(12) **United States Design Patent**  
**Schell et al.**

(10) **Patent No.:** **US D640,616 S**

(45) **Date of Patent:** **\*\* Jun. 28, 2011**

(54) **VEHICLE BUMPER**

(75) Inventors: **Damon Schell**, San Pedro, CA (US);  
**Chihiro Ikemizu**, Redondo Beach, CA  
(US)

(73) Assignee: **Honda Motor Co., Ltd.**, Tokyo (JP)

(\*\*) Term: **14 Years**

(21) Appl. No.: **29/375,348**

(22) Filed: **Sep. 21, 2010**

(51) **LOC (9) Cl.** ..... **12-16**

(52) **U.S. Cl.** ..... **D12/169**

(58) **Field of Classification Search** ..... D12/169,  
D12/196, 171, 216, 163, 86, 90-92; 293/102,  
293/113, 115, 117, 120; 296/180.1, 180.2  
See application file for complete search history.

(56) **References Cited**

**U.S. PATENT DOCUMENTS**

D555,040 S	*	11/2007	Davidson	.....	D12/92
D555,041 S	*	11/2007	Davidson	.....	D12/92
D583,723 S	*	12/2008	Murakami	.....	D12/169
D586,263 S	*	2/2009	Osborne et al.	.....	D12/92

D589,416 S	*	3/2009	Osborne et al.	.....	D12/169
D592,567 S	*	5/2009	Saracoglu	.....	D12/169
D600,176 S	*	9/2009	Yamazaki et al.	.....	D12/169
D600,603 S	*	9/2009	Di Buduo	.....	D12/169
D623,568 S	*	9/2010	Ward	.....	D12/169
D626,470 S	*	11/2010	Komuro	.....	D12/169
D628,945 S	*	12/2010	Ino et al.	.....	D12/169
D631,407 S	*	1/2011	Kuze	.....	D12/169
D632,232 S	*	2/2011	Matei et al.	.....	D12/169

\* cited by examiner

*Primary Examiner* — Melody N Brown

(74) *Attorney, Agent, or Firm* — Plumsea Law Group, LLC;  
Mark E. Duell

(57) **CLAIM**

The ornamental design for a vehicle bumper, as shown and described.

**DESCRIPTION**

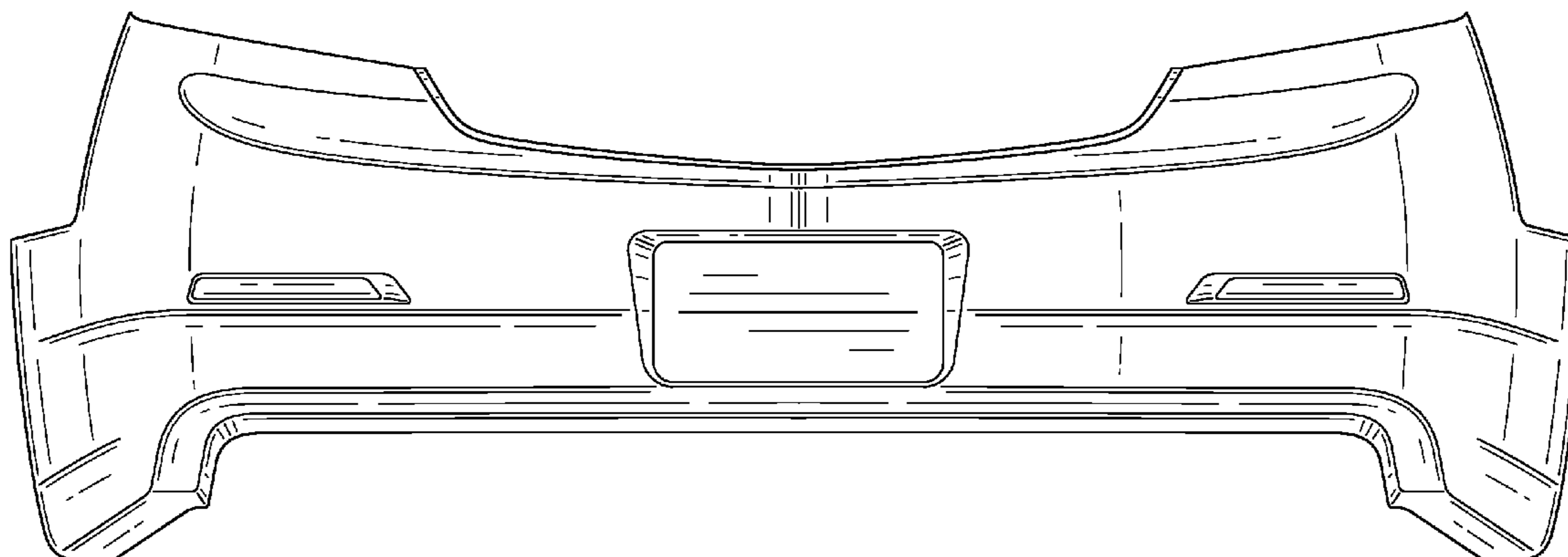
FIG. 1 is a perspective view of a vehicle bumper showing our new design;

FIG. 2 is a front elevational view thereof;

FIG. 3 is a side elevational view thereof; and,

FIG. 4 is a top plan view thereof.

**1 Claim, 4 Drawing Sheets**



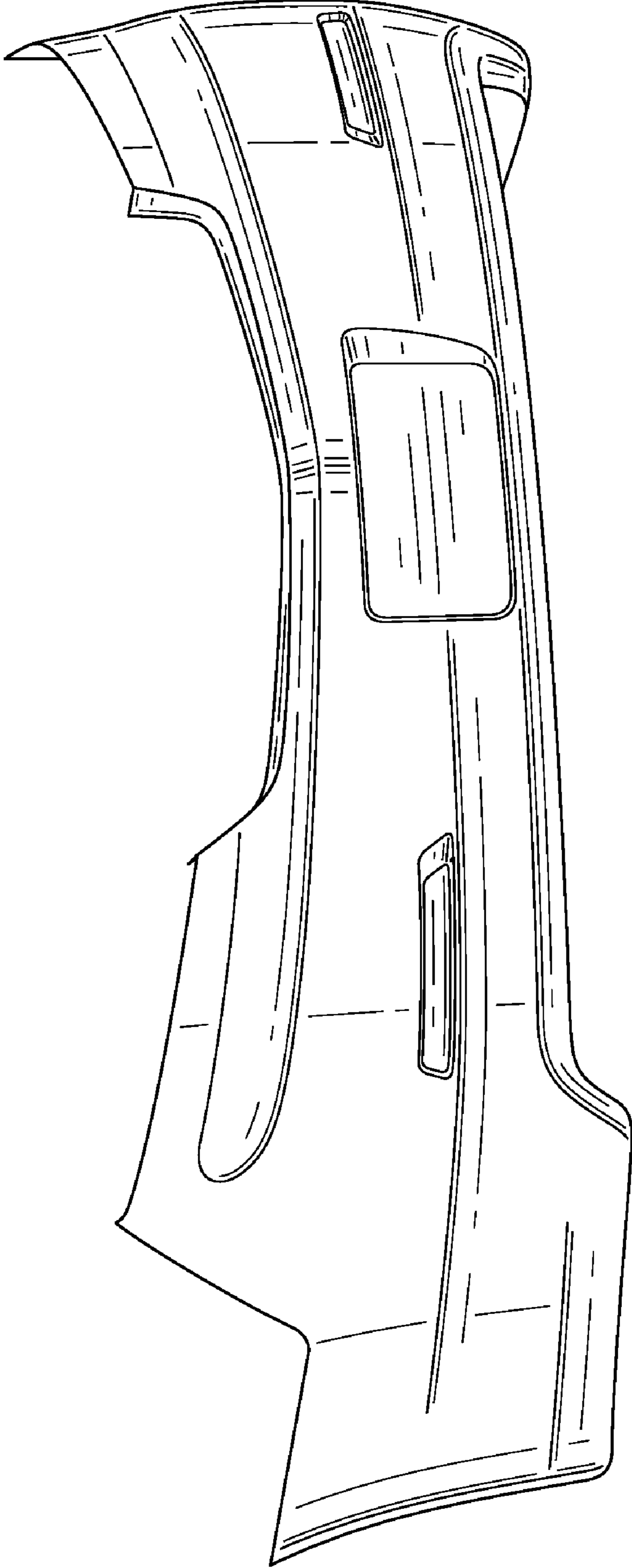


FIG. 1

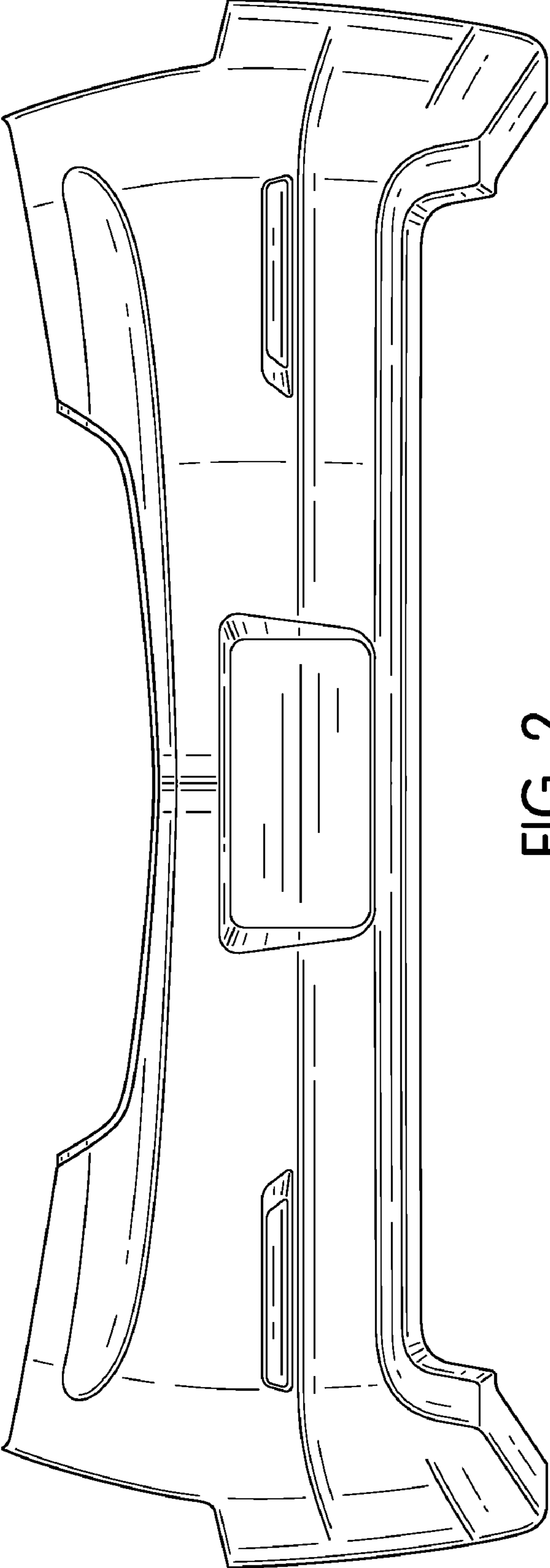


FIG. 2

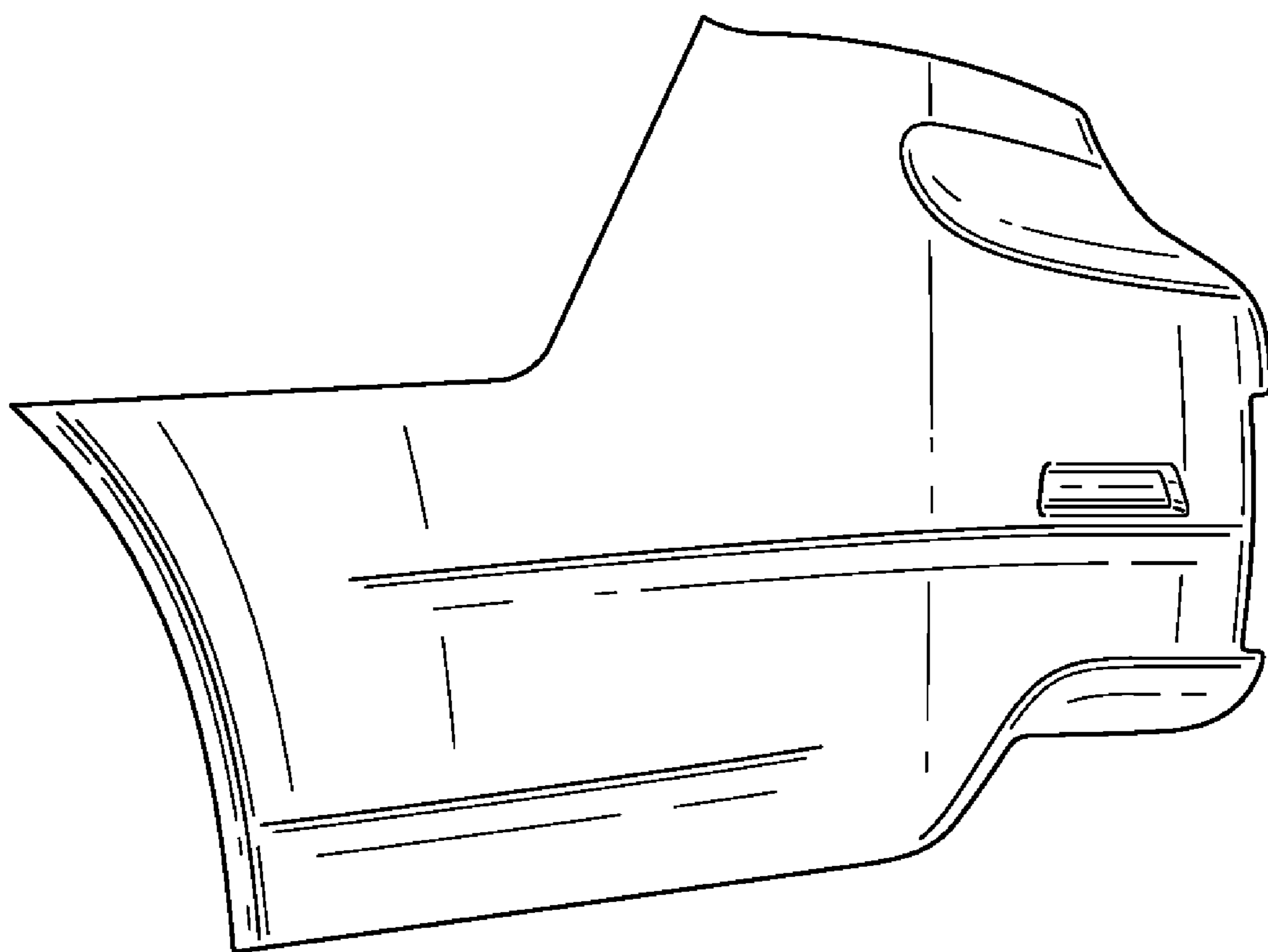


FIG. 3

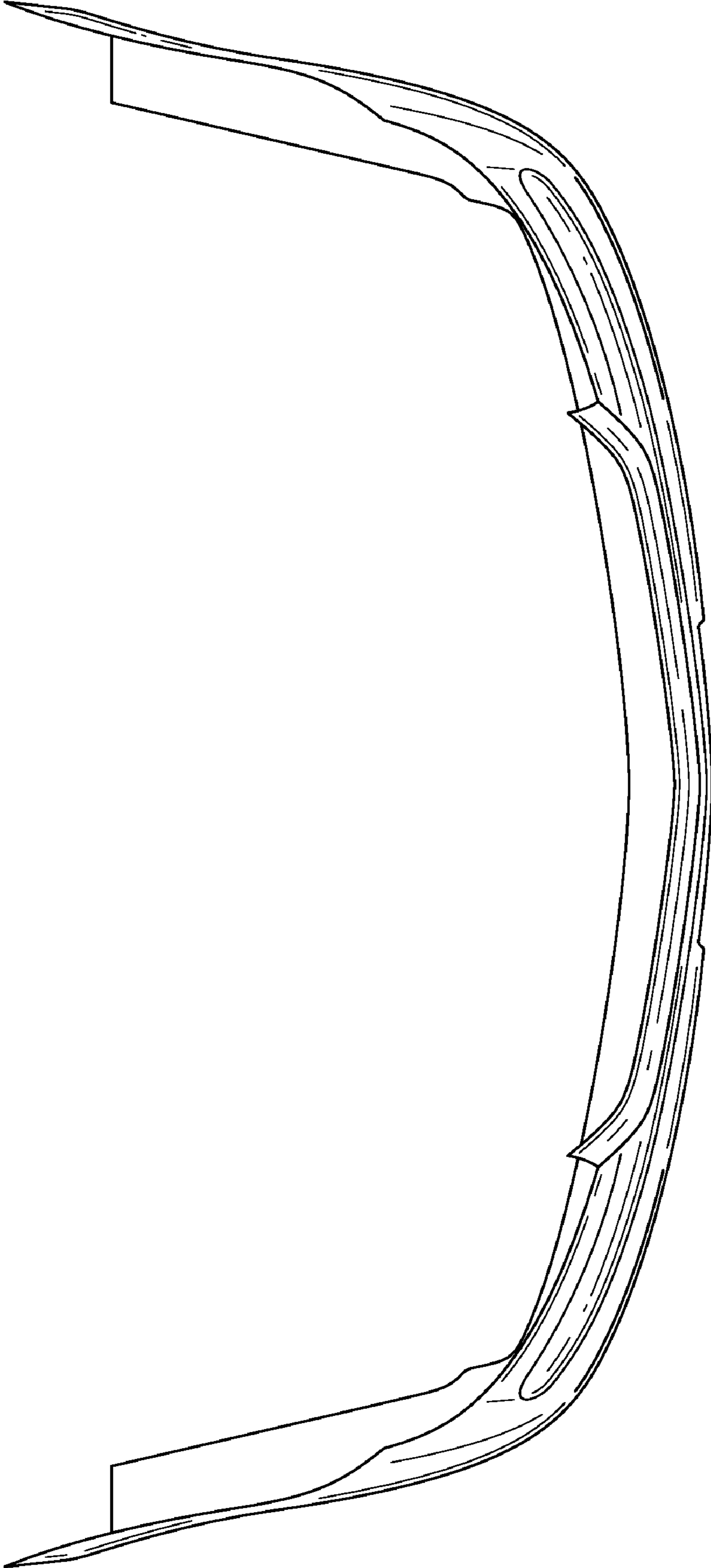


FIG. 4