



US00D640615S

(12) **United States Design Patent**
Kumai et al.

(10) **Patent No.:** **US D640,615 S**
(45) **Date of Patent:** **** Jun. 28, 2011**

- (54) **BUMPER FOR AN AUTOMOBILE**
- (75) Inventors: **Yahiko Kumai**, Toyota (JP); **Tokiko Gamou**, Toyota (JP)
- (73) Assignee: **Toyota Jidosha Kabushiki Kaisha** (JP)
- (**) Term: **14 Years**
- (21) Appl. No.: **29/368,645**
- (22) Filed: **Aug. 26, 2010**
- (51) **LOC (9) Cl.** **12-16**
- (52) **U.S. Cl.** **D12/169**
- (58) **Field of Classification Search** D12/169,
D12/196, 171, 216, 163, 86, 90-92; 293/102,
293/113, 115, 117, 120; 296/180.1, 180.2
See application file for complete search history.

(56) **References Cited**

U.S. PATENT DOCUMENTS

- D561,070 S * 2/2008 Gresens et al. D12/169
- D561,071 S * 2/2008 Golden et al. D12/169
- D566,017 S * 4/2008 Pfeiffer D12/169

- D585,002 S * 1/2009 Tamura D12/169
- D592,570 S * 5/2009 Lamm D12/169
- D605,568 S * 12/2009 Ward D12/169
- D609,614 S * 2/2010 Okue et al. D12/169
- D631,407 S * 1/2011 Kuze D12/169

* cited by examiner

Primary Examiner — Melody N Brown

(74) *Attorney, Agent, or Firm* — SAIDMAN DesignLaw Group

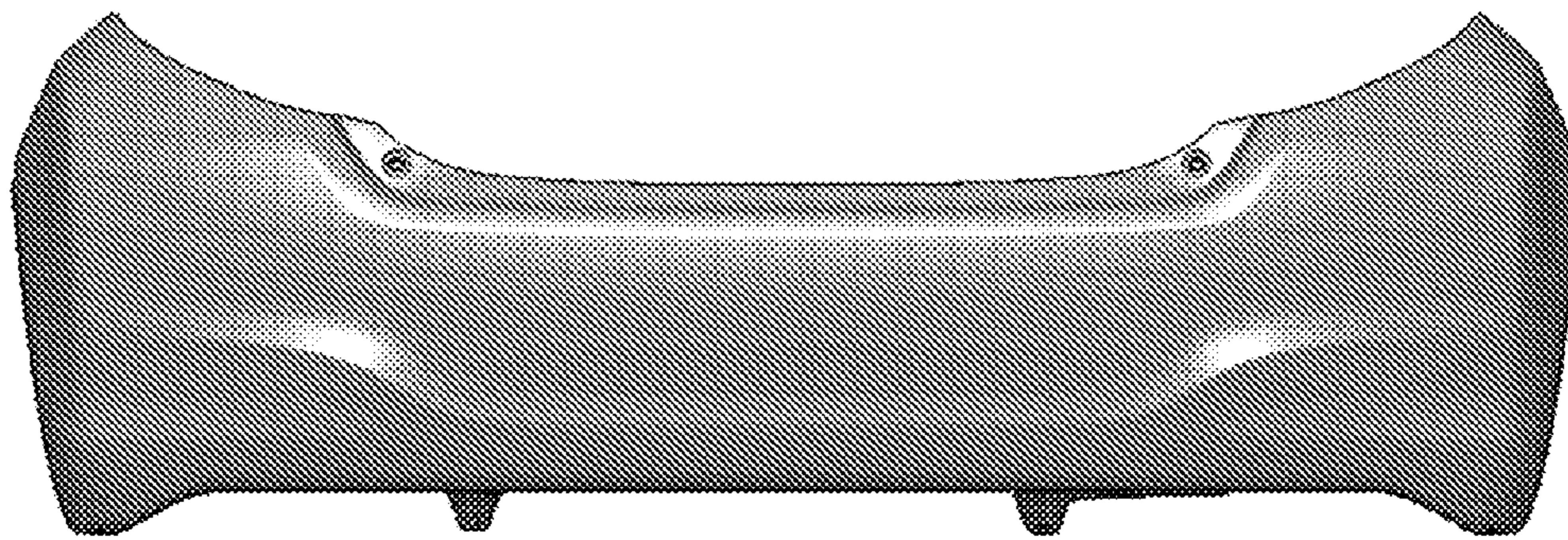
(57) **CLAIM**

The ornamental design for a bumper for an automobile, as shown and described.

DESCRIPTION

FIG. 1 is a front, perspective view of a bumper for an automobile showing our new design; FIG. 2 is a front view thereof; FIG. 3 is a top view thereof; FIG. 4 is a bottom view thereof; and, FIG. 5 is a right-side view, the left-side view being a mirror image thereof.

1 Claim, 2 Drawing Sheets



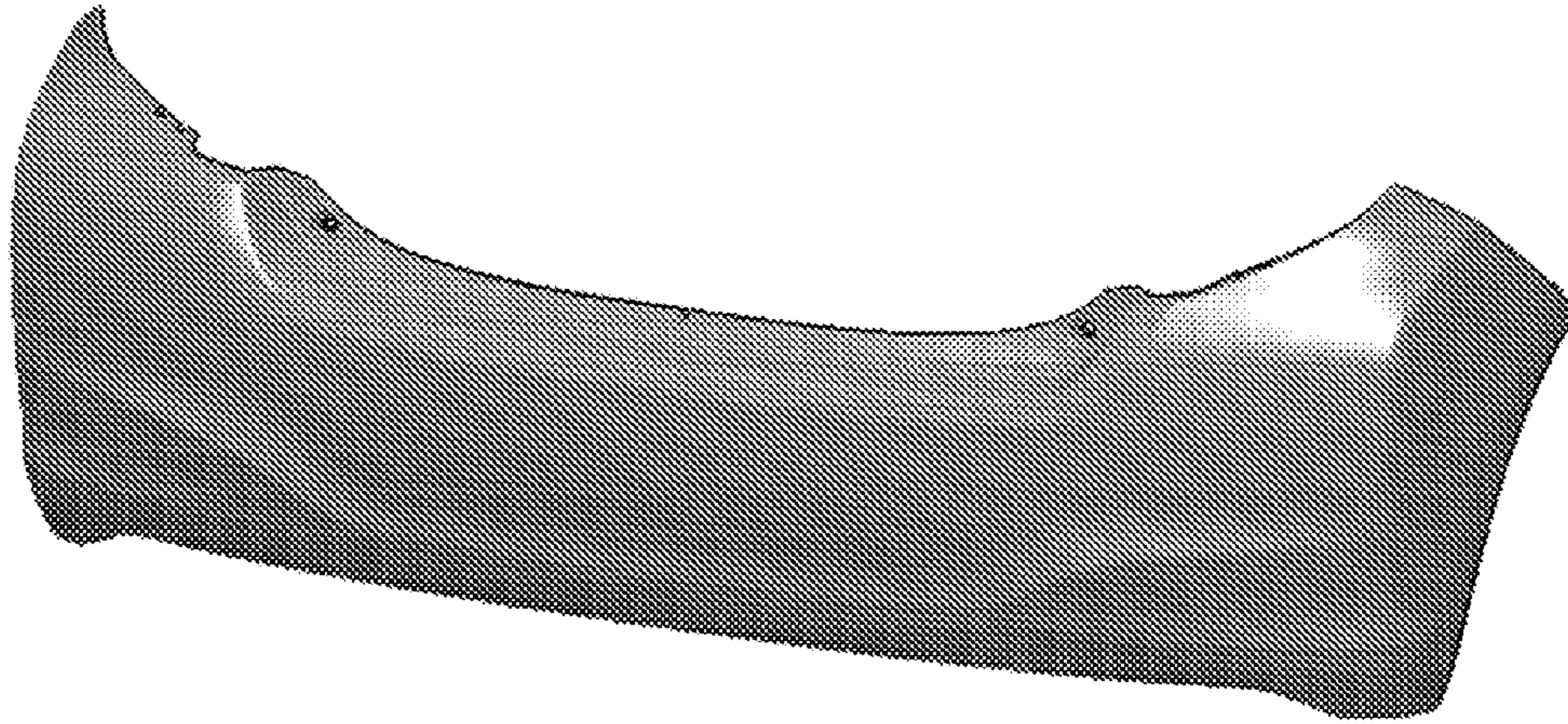


Fig. 1

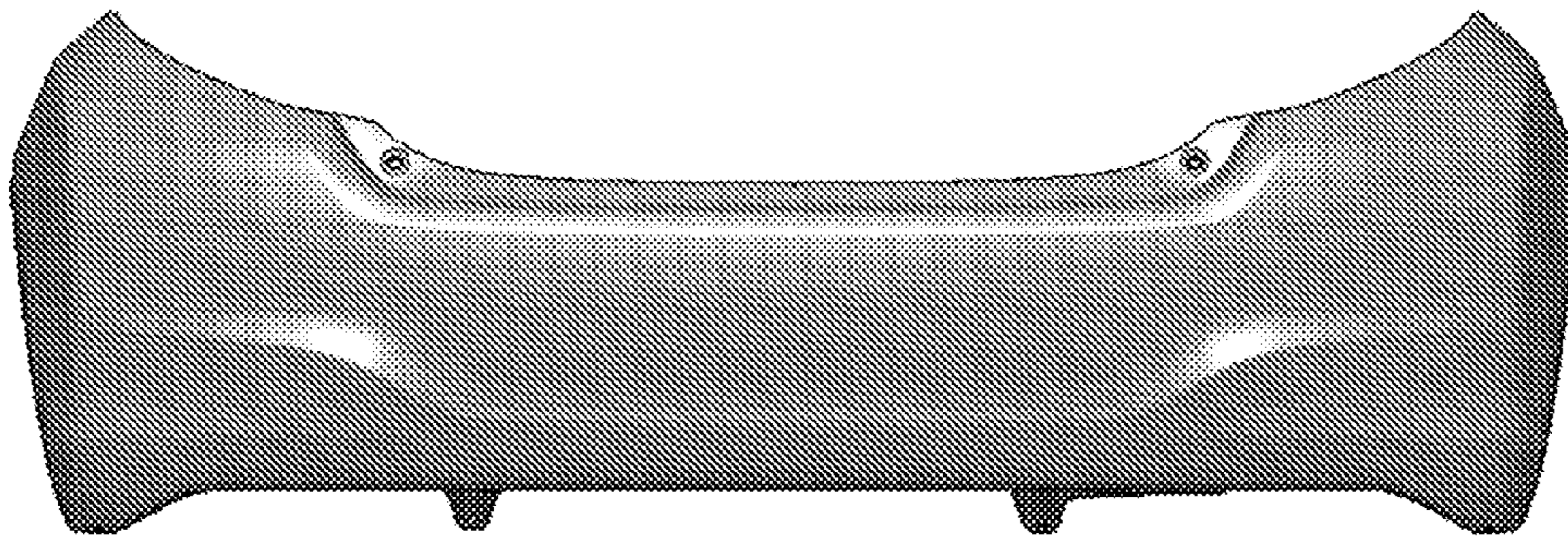


Fig. 2

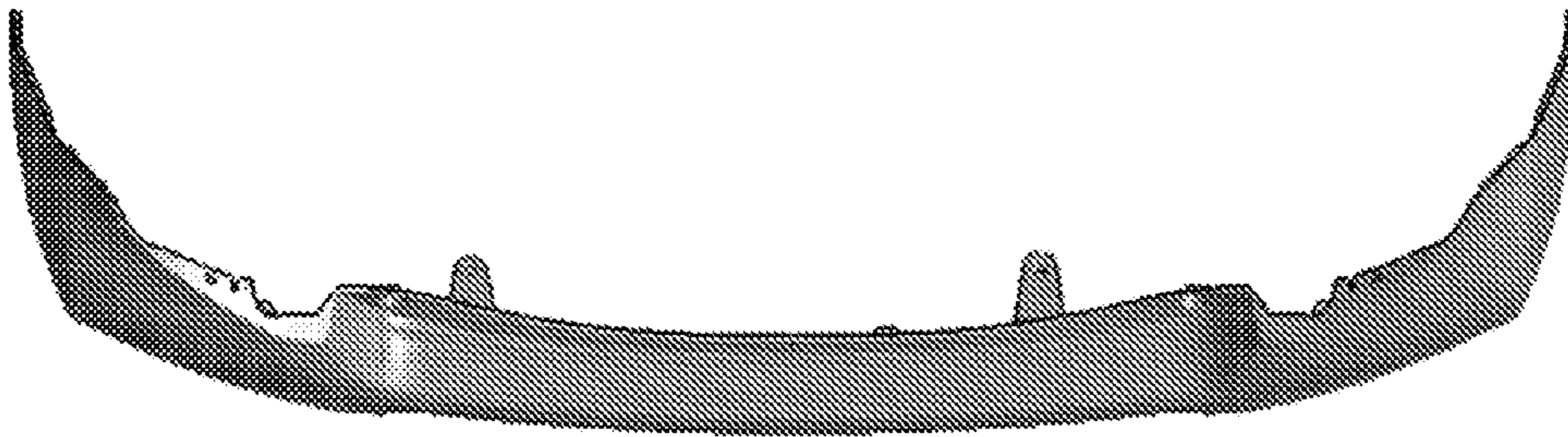


Fig. 3

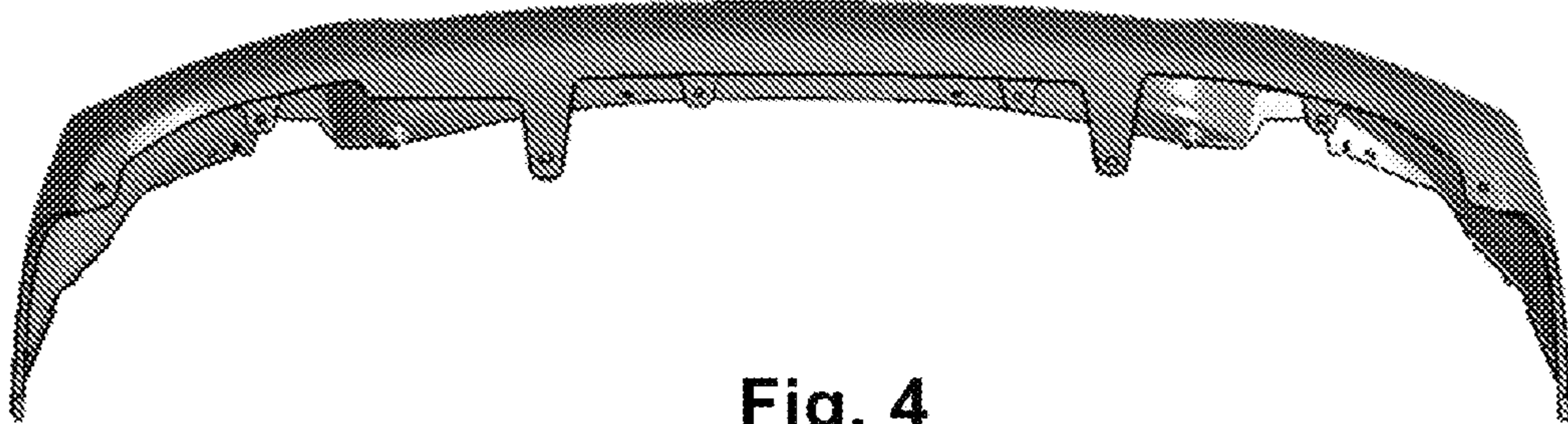


Fig. 4

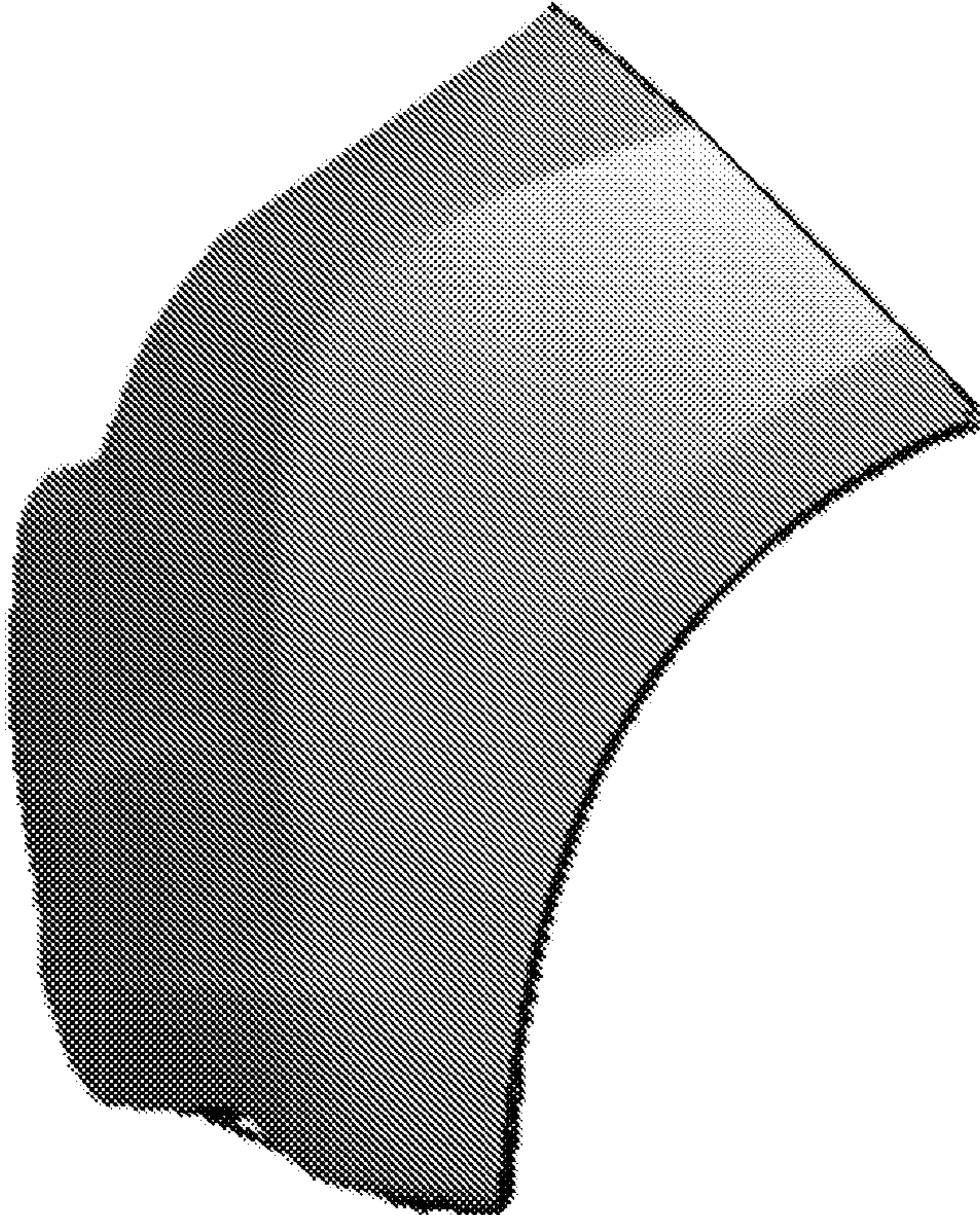


Fig. 5