



US00D640614S

(12) **United States Design Patent**
Kumai et al.

(10) **Patent No.:** **US D640,614 S**
(45) **Date of Patent:** **** Jun. 28, 2011**

(54) **BUMPER WITH GRILLE FOR AN AUTOMOBILE**

D623,567 S * 9/2010 Yamaguchi et al. D12/169
D630,978 S * 1/2011 Koshino et al. D12/169
D631,406 S * 1/2011 Kuze D12/169

(75) Inventors: **Yahiko Kumai**, Toyota (JP); **Daichi Kimura**, Toyota (JP); **Ken Nagasaka**, Toyota (JP)

OTHER PUBLICATIONS

NV200, Nissan, Catalog of Nissan NV200, Nissan, May 2009.
Camry, Toyota, Catalog of Toyota Camry, Toyota, Feb. 2009.

(73) Assignee: **Toyota Jidosha Kabushiki Kaisha** (JP)

* cited by examiner

(**) Term: **14 Years**

Primary Examiner — Melody N Brown

(21) Appl. No.: **29/368,644**

(74) *Attorney, Agent, or Firm* — SAIDMAN DesignLaw Group

(22) Filed: **Aug. 26, 2010**

(57) **CLAIM**

The ornamental design for a bumper with grille for an automobile, as shown and described.

(51) **LOC (9) Cl.** **12-16**

(52) **U.S. Cl.** **D12/169**

(58) **Field of Classification Search** D12/169,
D12/196, 171, 216, 163, 86, 90-92; 293/102,
293/113, 115, 117, 120; 296/180.1, 180.2
See application file for complete search history.

DESCRIPTION

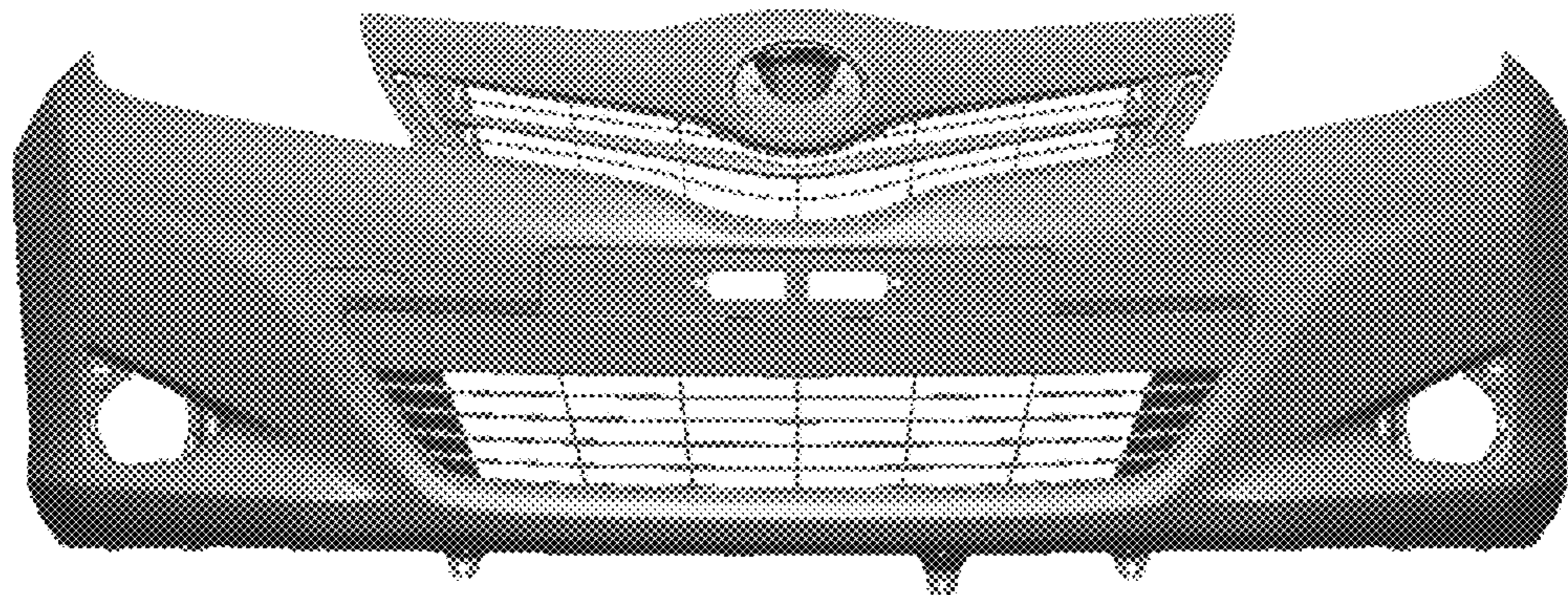
FIG. 1 is a front, perspective view of a bumper with grille for an automobile showing our new design;
FIG. 2 is a front view thereof;
FIG. 3 is a top view thereof;
FIG. 4 is a bottom view thereof;
FIG. 5 is a left-side view thereof; and,
FIG. 6 is a right-side view thereof.

(56) **References Cited**

U.S. PATENT DOCUMENTS

D609,613 S * 2/2010 Okue et al. D12/169
D619,514 S * 7/2010 Syouji et al. D12/169

1 Claim, 2 Drawing Sheets



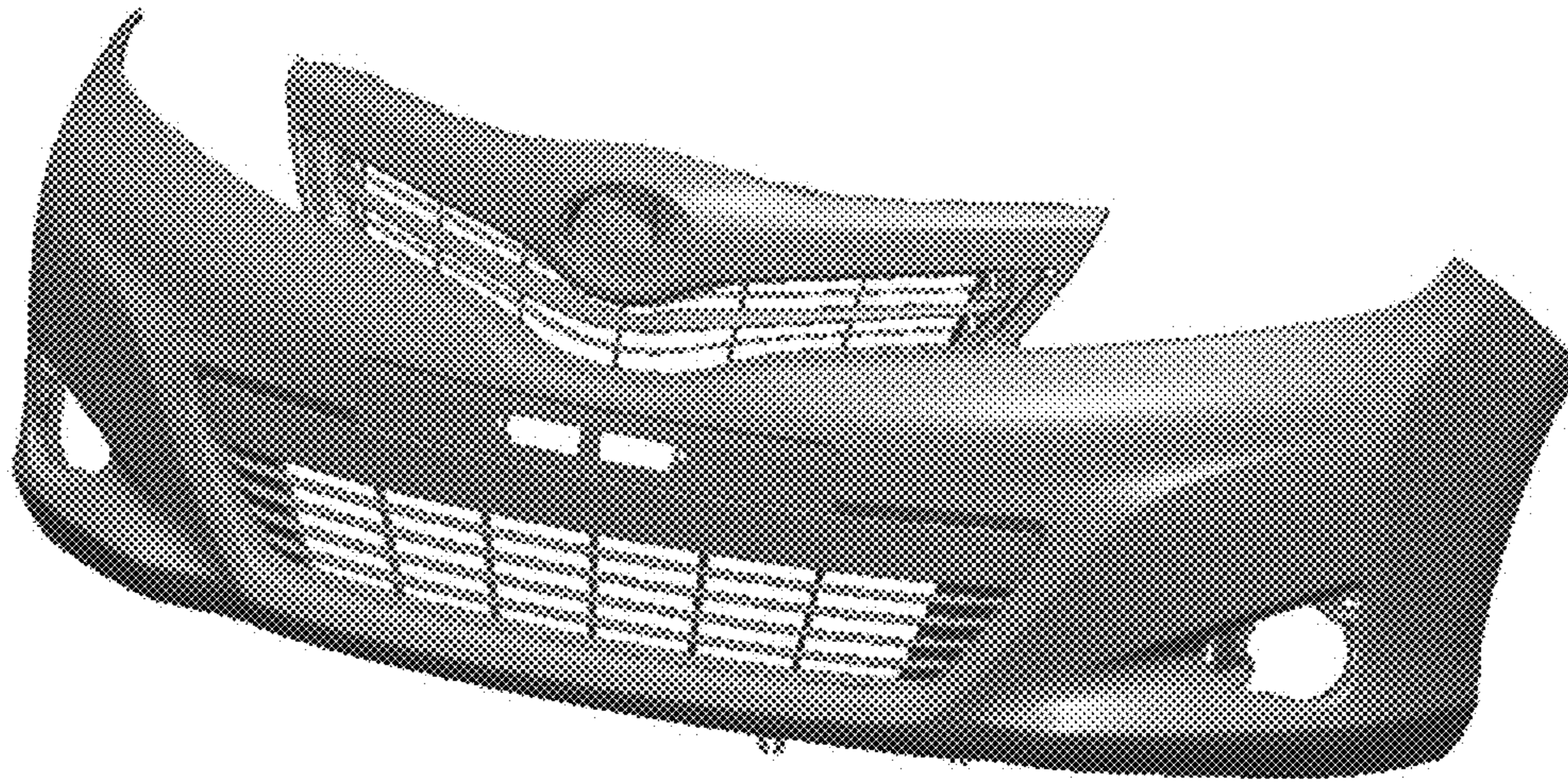


Fig. 1

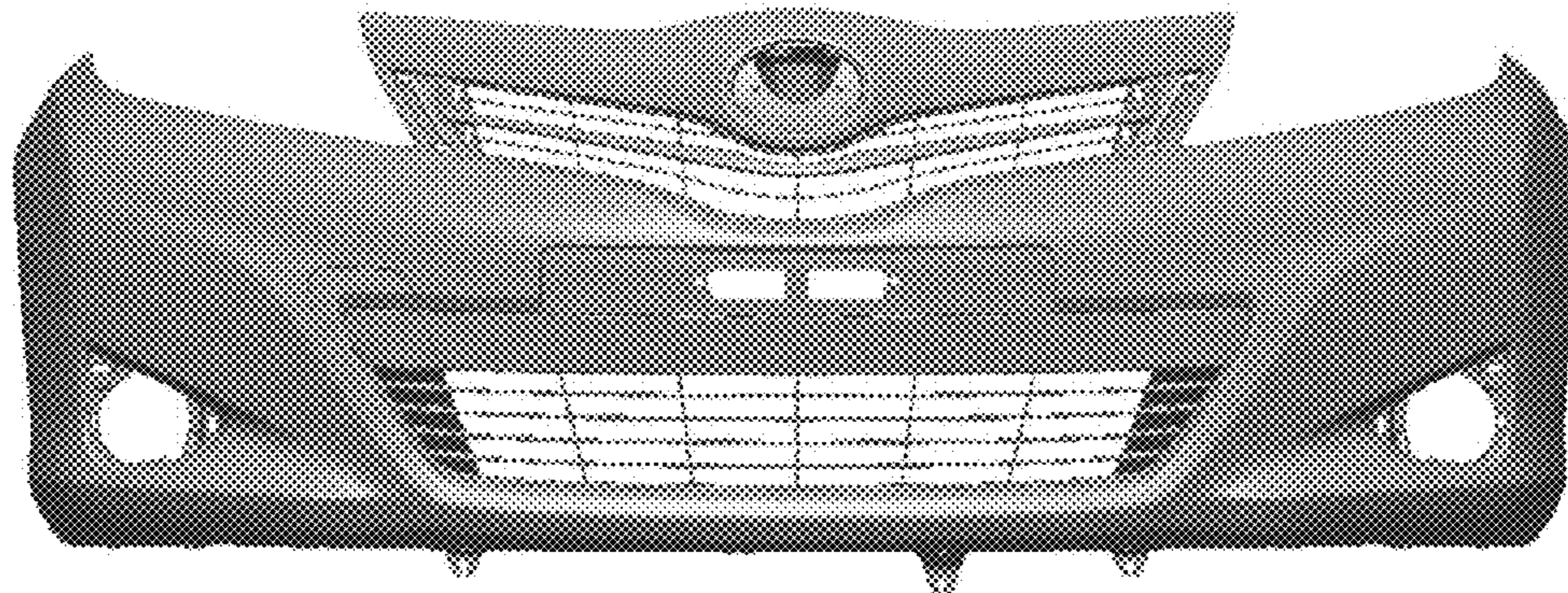


Fig. 2

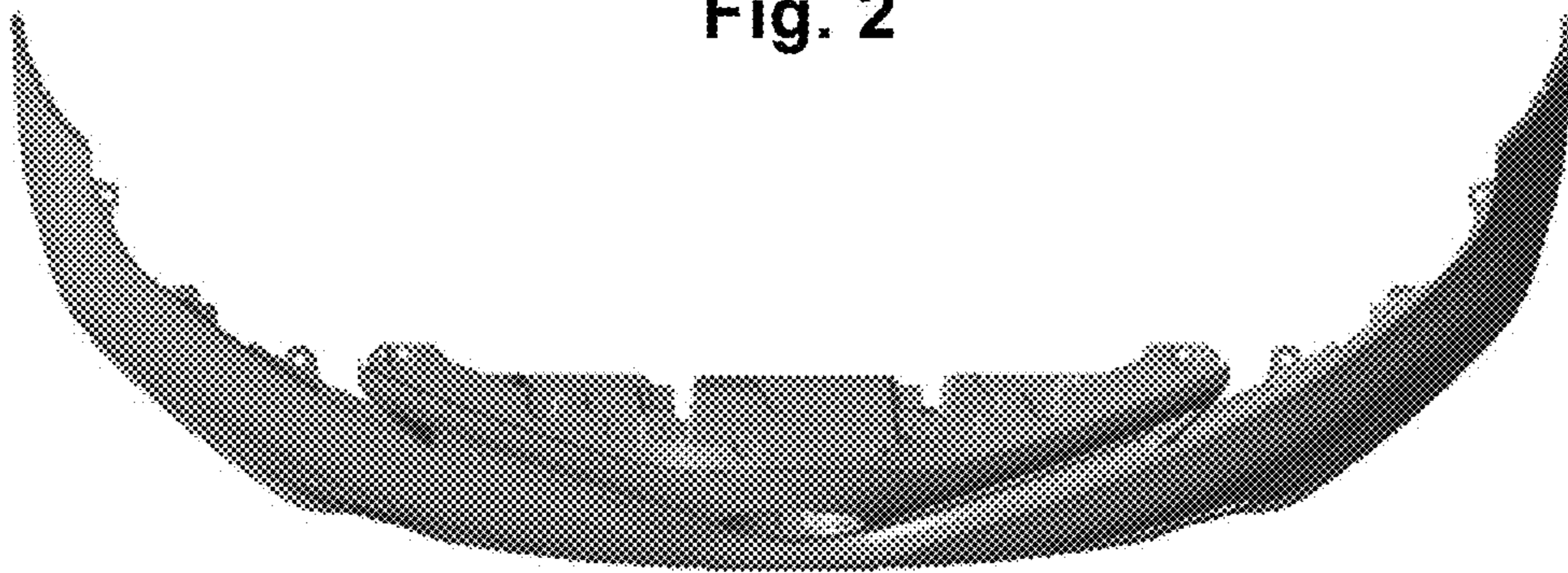


Fig. 3

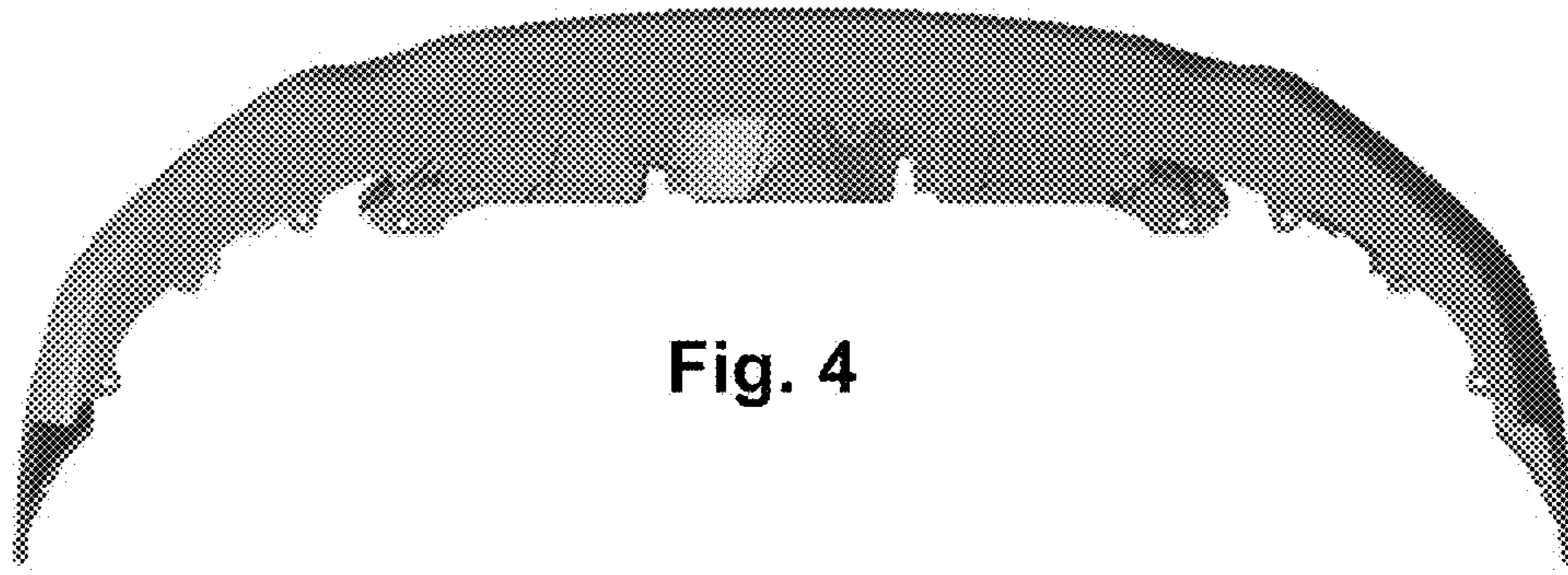


Fig. 4

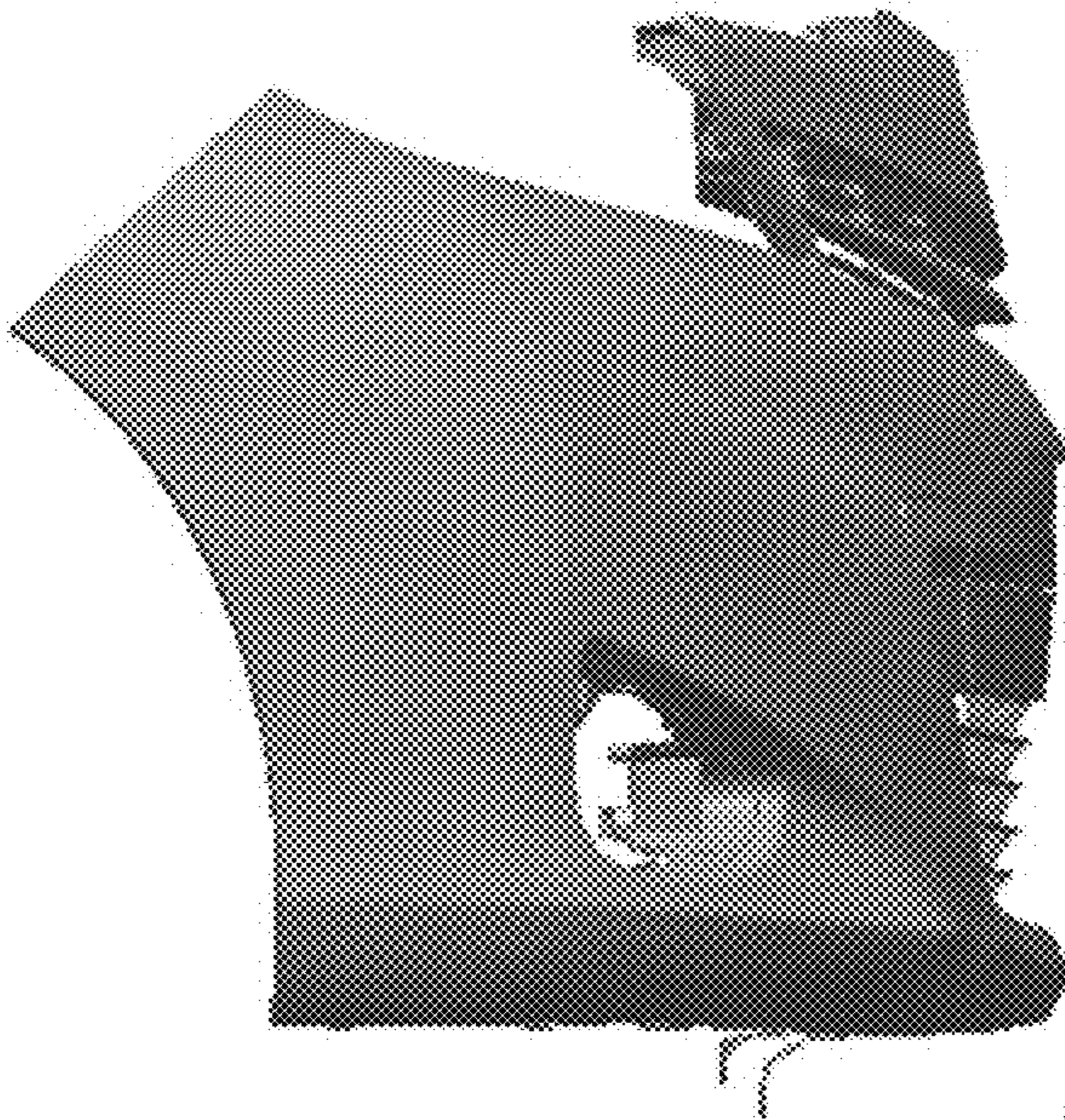


Fig. 5

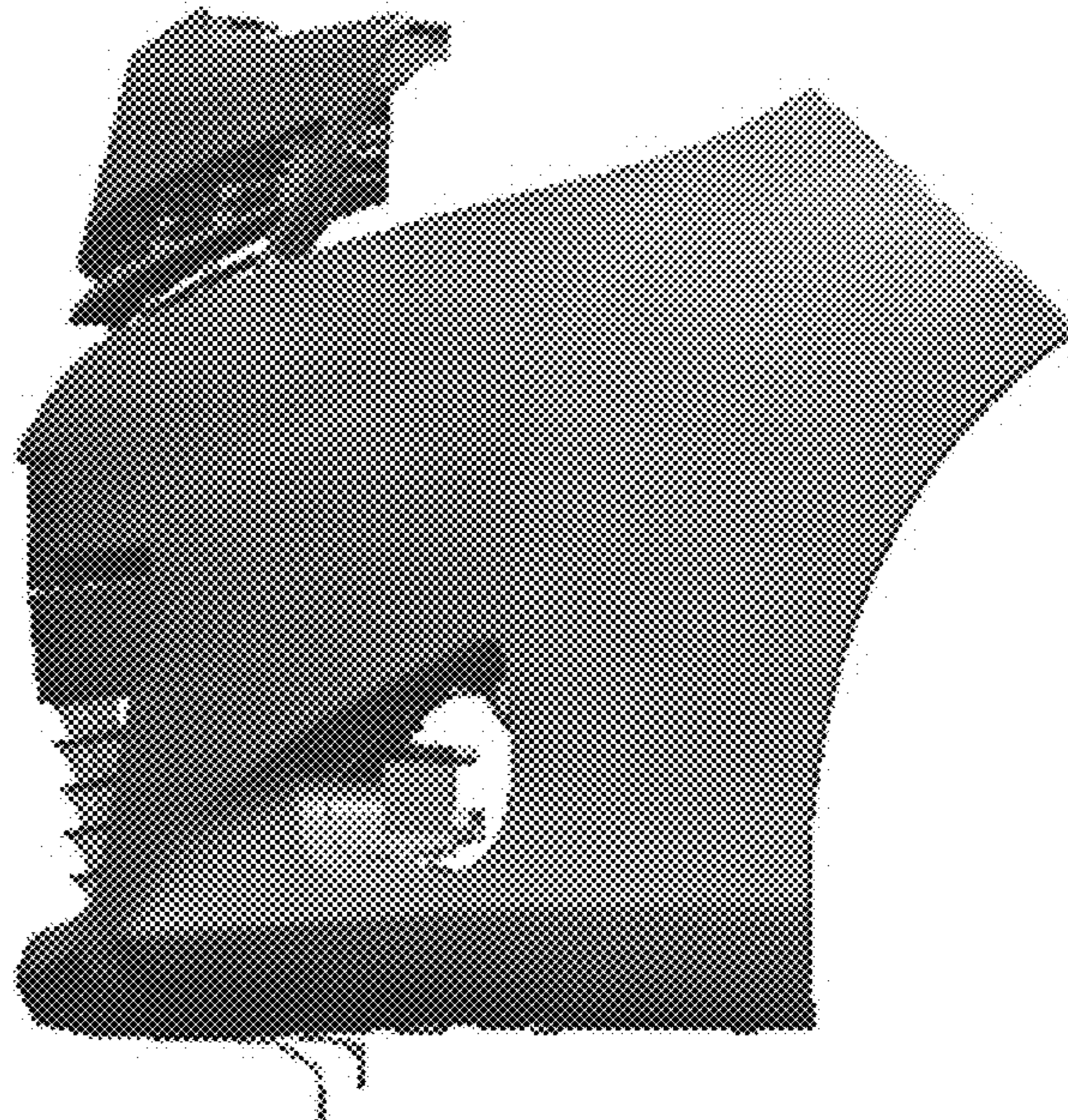


Fig. 6