



US00D640607S

(12) **United States Design Patent**  
**Schoonhoven et al.**

(10) **Patent No.:** **US D640,607 S**  
(45) **Date of Patent:** **\*\* Jun. 28, 2011**

(54) **BICYCLE**

(75) Inventors: **Willem Jorrit Schoonhoven**,  
Amsterdam (NL); **Onno Kramer**,  
Heerenveen (NL)

(73) Assignee: **Batavus B.V.**, Heerenveen (NL)

(\*\*) Term: **14 Years**

(21) Appl. No.: **29/350,687**

(22) Filed: **Nov. 20, 2009**

(30) **Foreign Application Priority Data**

- May 22, 2009 (EM) ..... 001139265-0001
- May 22, 2009 (EM) ..... 001139265-0002
- May 22, 2009 (EM) ..... 001139265-0003
- May 22, 2009 (EM) ..... 001139265-0004
- May 22, 2009 (EM) ..... 001139265-0005
- May 22, 2009 (EM) ..... 001139265-0006
- May 22, 2009 (EM) ..... 001139265-0011

(51) **LOC (9) Cl.** ..... **12-11**

(52) **U.S. Cl.** ..... **D12/111**

(58) **Field of Classification Search** ..... D12/111,  
D12/117, 119, 223; 280/274–280, 281.1,  
280/283–288, 288.1–288.4, 226.1; 297/195.1,  
297/215.13, 463.1, 344.12, 344.18; 403/302,  
403/309, 344; 224/42.11–42.13, 42.15, 42.31,  
224/412, 413, 419, 423–426

See application file for complete search history.

(56) **References Cited**

**U.S. PATENT DOCUMENTS**

- D45,961 S \* 6/1914 Remppis ..... D12/111
- 4,350,361 A \* 9/1982 Fujii ..... 224/445
- 4,383,625 A \* 5/1983 Kiang ..... 224/445

- 4,666,071 A \* 5/1987 Irwin et al. .... 224/452
- D292,900 S \* 11/1987 Blackburn et al. .... D12/407
- D336,879 S \* 6/1993 Chen ..... D12/407
- D340,011 S \* 10/1993 Chen ..... D12/111
- D342,891 S \* 1/1994 Marui ..... D8/396
- 5,482,194 A \* 1/1996 Hallock, III ..... 224/424
- D369,138 S \* 4/1996 Gotschi ..... D12/407
- 5,667,118 A \* 9/1997 Faasse ..... 224/430
- D418,778 S \* 1/2000 Allen et al. .... D12/111
- 6,676,095 B2 \* 1/2004 Dal Pra' ..... 248/230.3
- 6,896,438 B1 \* 5/2005 Chen ..... 403/290
- D517,452 S \* 3/2006 Hickman ..... D12/111
- D540,716 S \* 4/2007 Mohr ..... D12/111
- 7,273,221 B2 \* 9/2007 Ockenden ..... 280/288.4
- D587,633 S \* 3/2009 Parrett et al. .... D12/119
- D612,300 S \* 3/2010 Lobnitz ..... D12/111

\* cited by examiner

*Primary Examiner* — Susan M Lee

*Assistant Examiner* — Linda G Brooks

(74) *Attorney, Agent, or Firm* — Leydig, Voit & Mayer, Ltd.

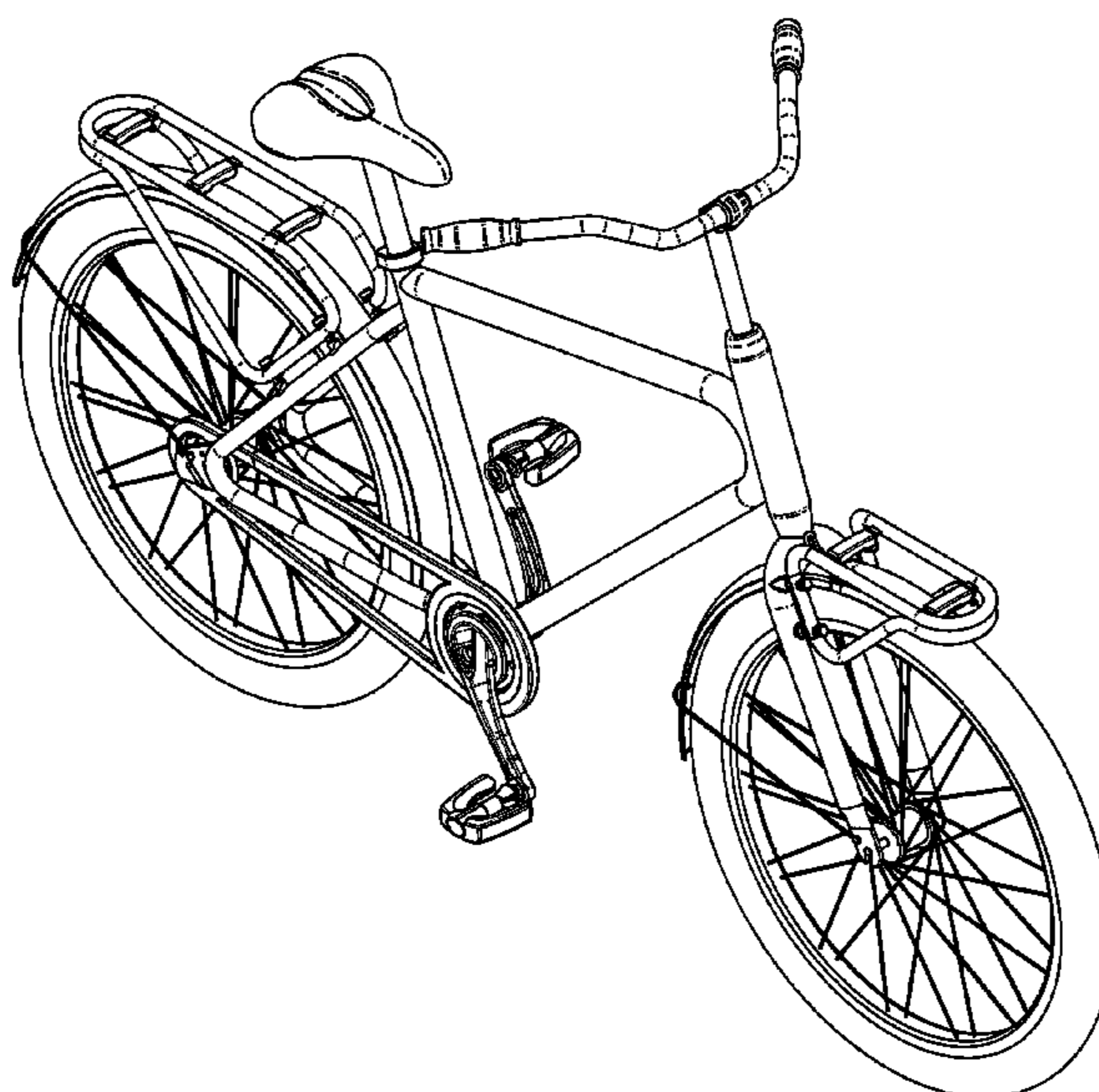
(57) **CLAIM**

The ornamental design for a bicycle, as shown and described.

**DESCRIPTION**

FIG. 1 is a perspective view taken from the top, front, and left side of a bicycle showing our new design;  
 FIG. 2 is a top plan view of the bicycle shown in FIG. 1;  
 FIG. 3 is a bottom view of the bicycle shown in FIG. 1;  
 FIG. 4 is a front elevational view of the bicycle shown in FIG. 1;  
 FIG. 5 is a rear elevational view of the bicycle shown in FIG. 1;  
 FIG. 6 is a left elevational side view of the bicycle shown in FIG. 1; and,  
 FIG. 7 is a right elevational side view of the bicycle shown in FIG. 1.

**1 Claim, 7 Drawing Sheets**



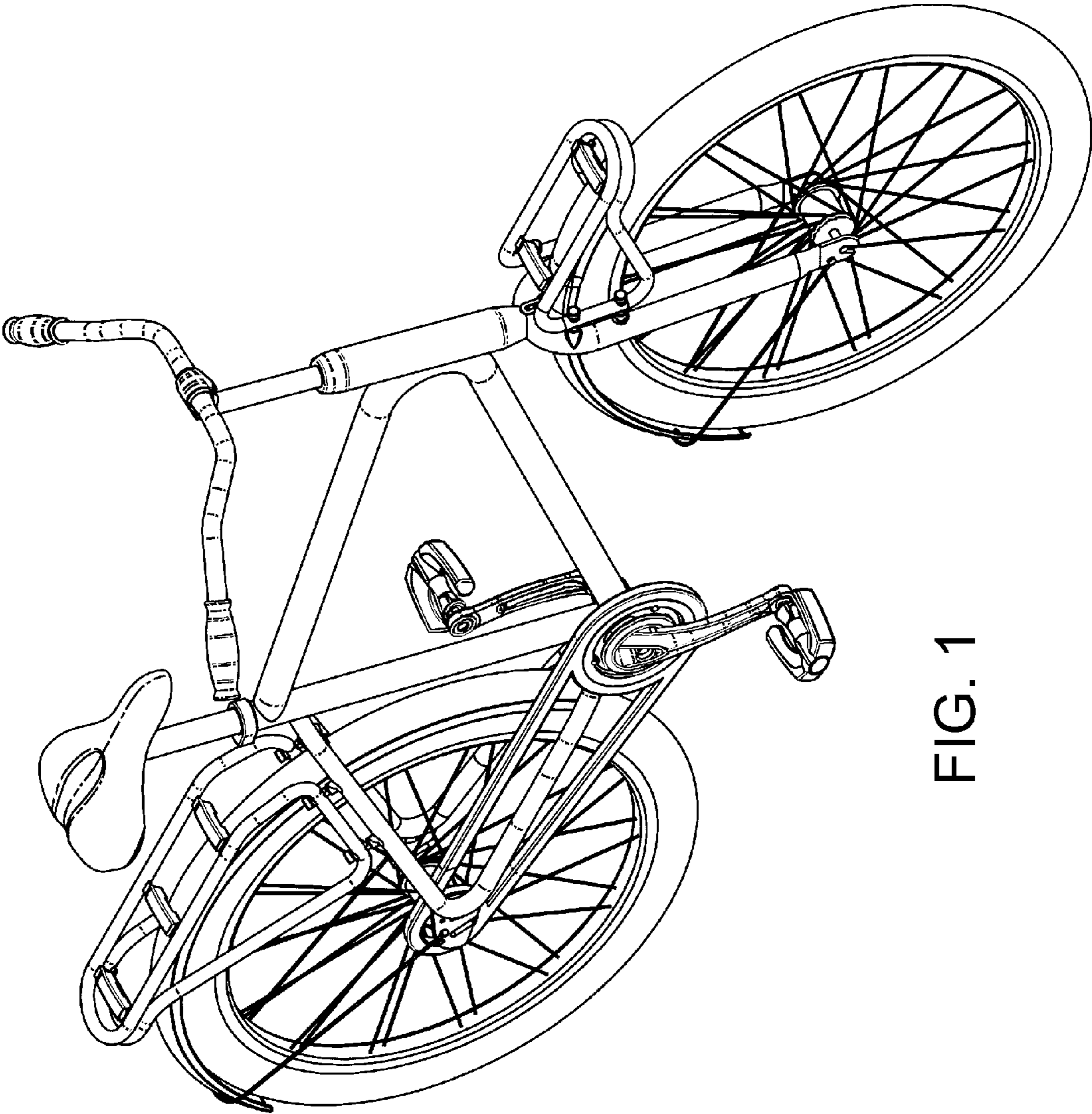


FIG. 1

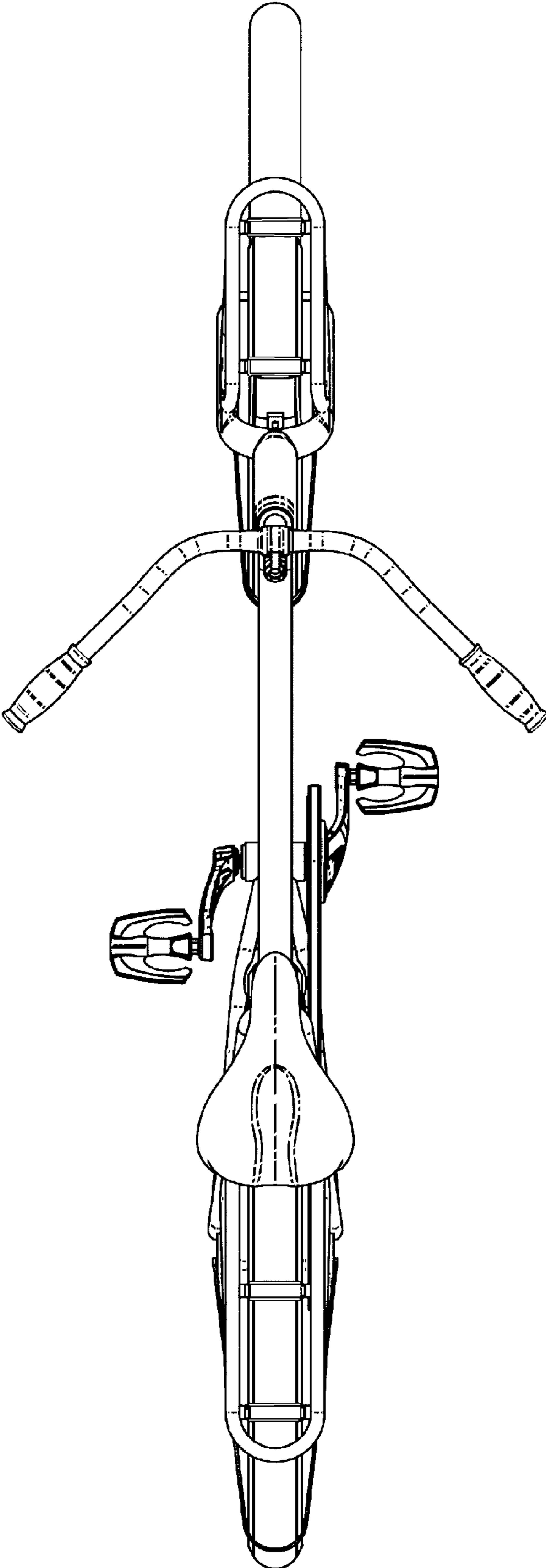


FIG. 2

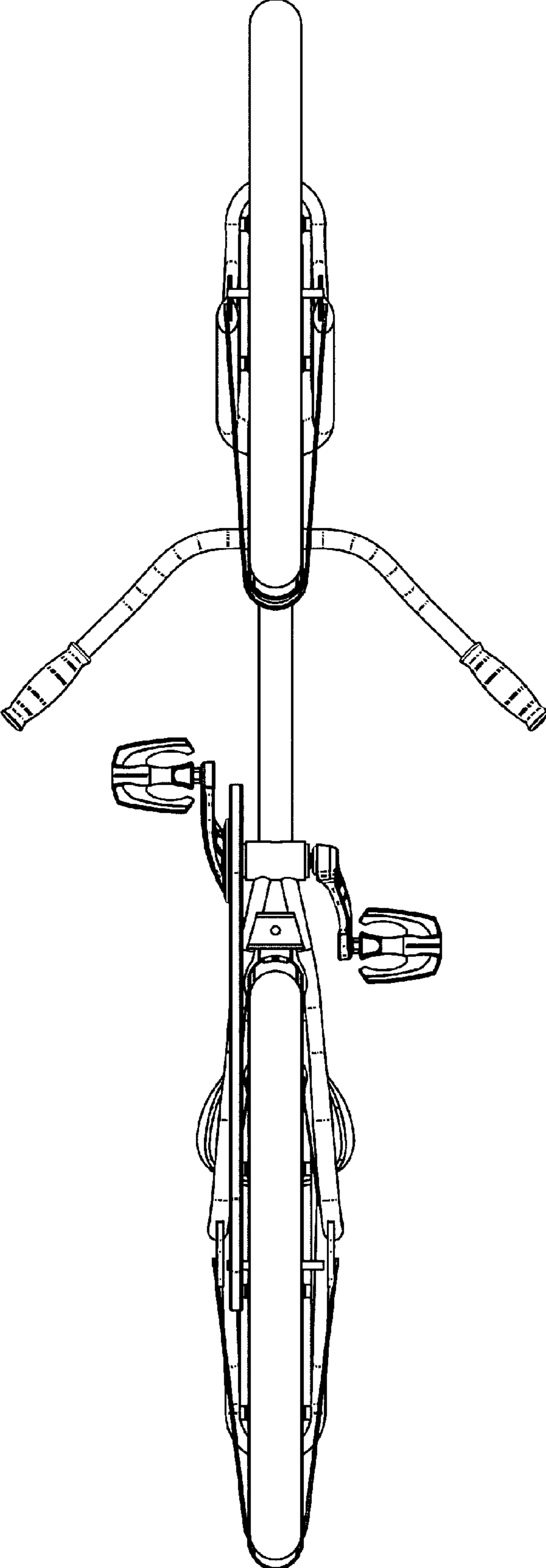


FIG. 3

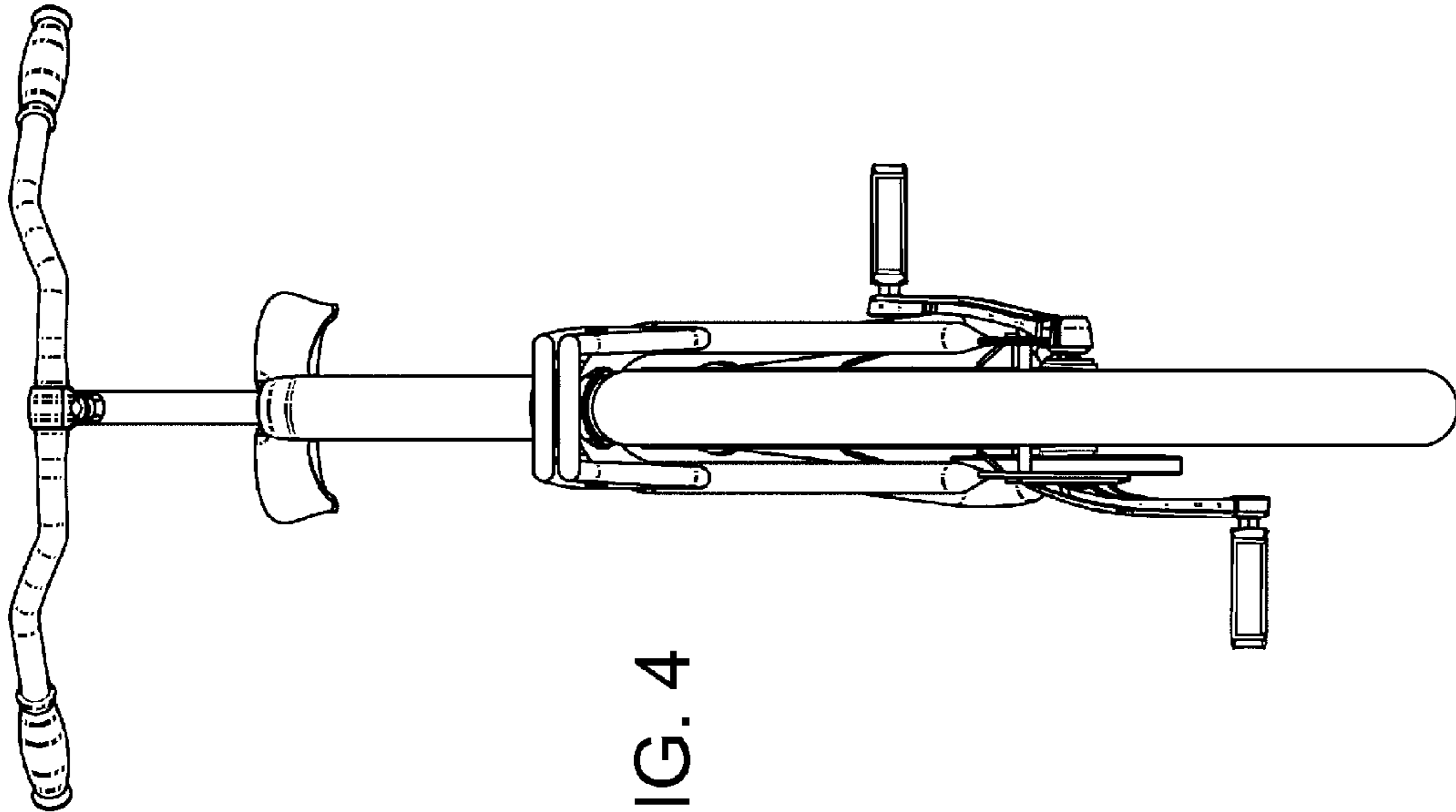


FIG. 4

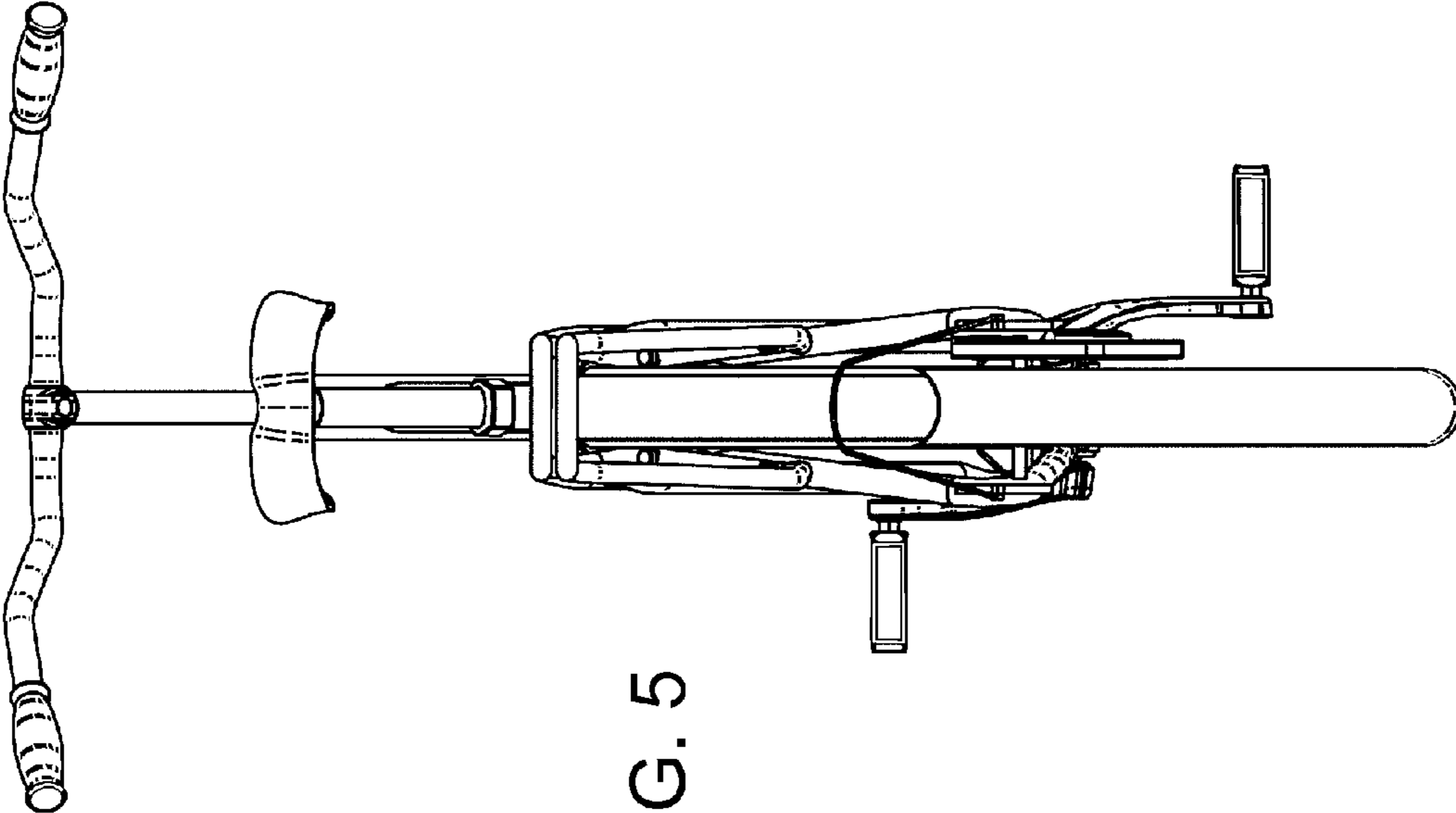


FIG. 5

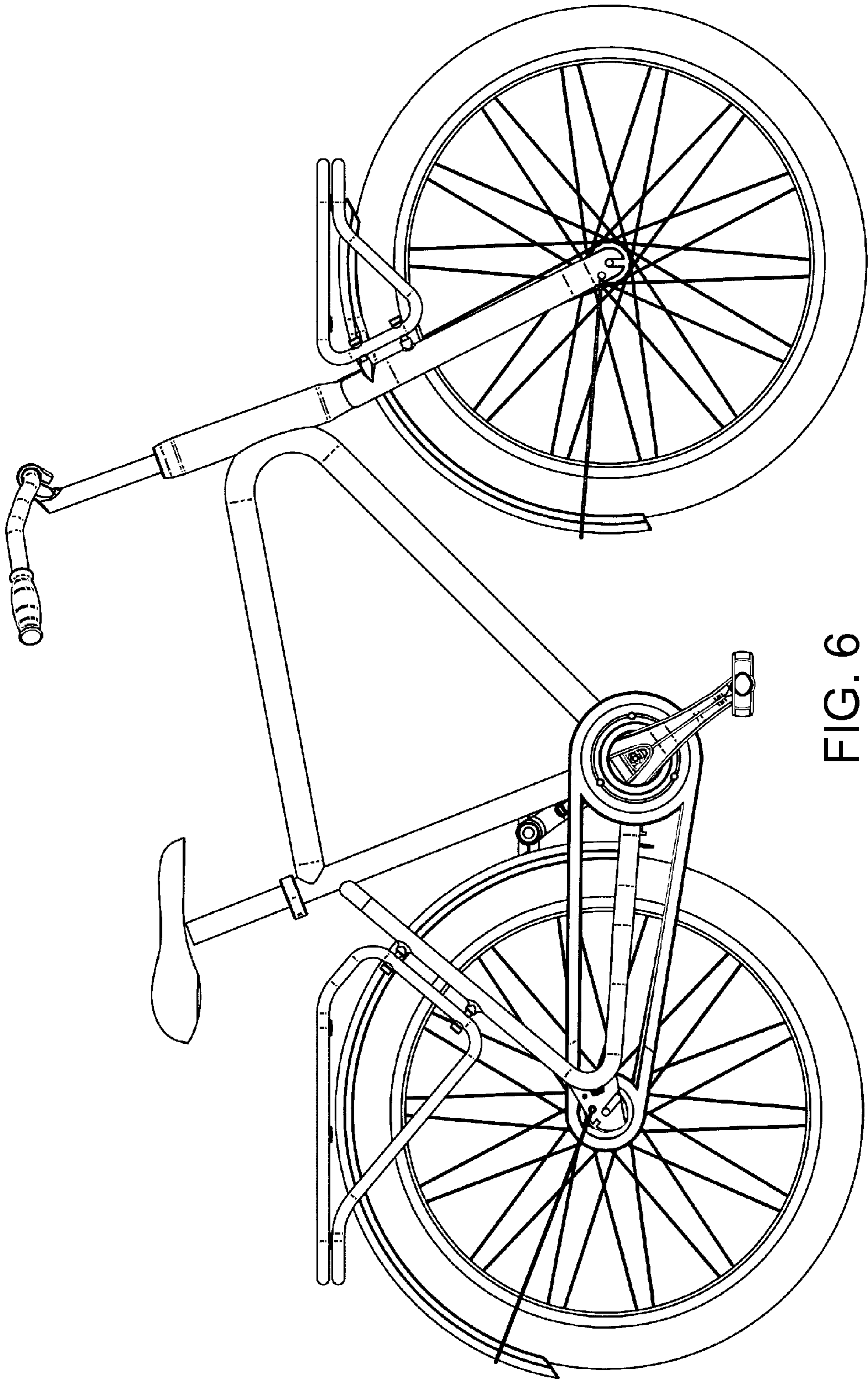


FIG. 6

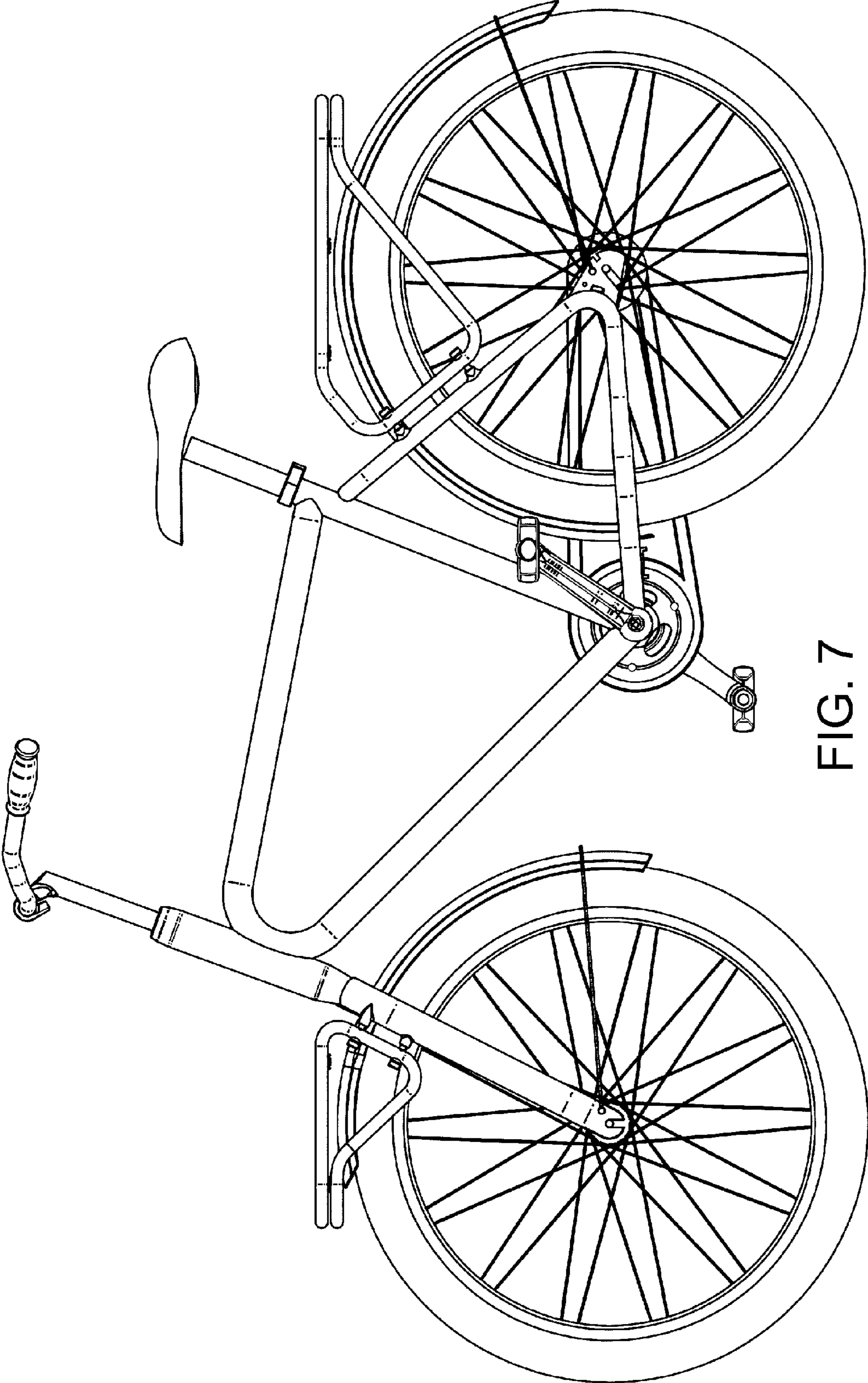


FIG. 7