



US00D640604S

(12) **United States Design Patent**
Lai et al.

(10) **Patent No.:** **US D640,604 S**
(45) **Date of Patent:** **** Jun. 28, 2011**

(54) **ALL TERRAIN VEHICLE**

(56) **References Cited**

(75) Inventors: **Guogui Lai**, Hangzhou (CN); **Yongzhou Zhao**, Hangzhou (CN); **Zhangping Yuan**, Hangzhou (CN); **Minqiang Xiong**, Hangzhou (CN); **Jun Zhao**, Hangzhou (CN); **Fuying Cheng**, Hangzhou (CN)

U.S. PATENT DOCUMENTS

D492,916 S * 7/2004 Rondeau et al. D12/107
D531,088 S * 10/2006 Lin D12/107
D546,246 S * 7/2007 Crepeau et al. D12/107
7,743,864 B2 * 6/2010 Tweet 180/89.1

* cited by examiner

(73) Assignee: **Zhejiang CFMOTO Power Co., Ltd**, Hangzhou, Zhejiang Province (CN)

Primary Examiner — Susan M Lee

Assistant Examiner — Linda Brooks

(**) Term: **14 Years**

(74) *Attorney, Agent, or Firm* — Wolf, Greenfield & Sacks, P.C.

(21) Appl. No.: **29/358,692**

(57) **CLAIM**

The ornamental design for an all terrain vehicle, as shown and described.

(22) Filed: **Mar. 31, 2010**

DESCRIPTION

(30) **Foreign Application Priority Data**

Dec. 30, 2009 (CN) 2009 3 0385632

(51) **LOC (9) Cl.** **12-11**

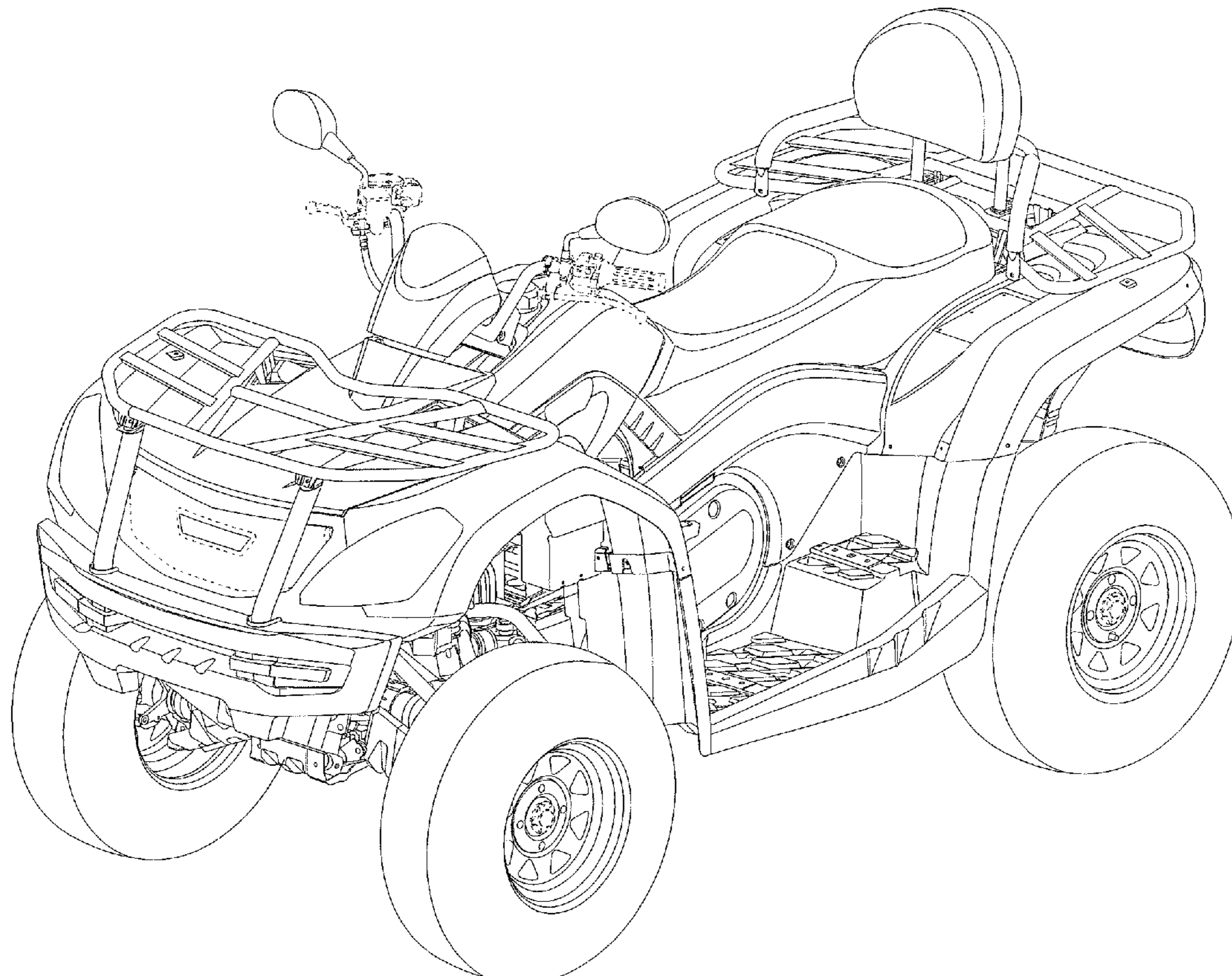
(52) **U.S. Cl.** **D12/107**

(58) **Field of Classification Search** D12/107,
D12/3, 86, 87, 110; 180/223, 225, 229, 233,
180/311, 312, 315; 297/195.1, 215.1, 215.11,
297/215.12, 452.48

FIG. 1 is a right side view of the all terrain vehicle;
FIG. 2 is a left side view thereof;
FIG. 3 is a front view thereof;
FIG. 4 is a rear view thereof;
FIG. 5 is a top view thereof; and,
FIG. 6 is a perspective view thereof.
The broken lines illustrate portions of the all terrain vehicle that form no part of the claimed design.

See application file for complete search history.

1 Claim, 6 Drawing Sheets



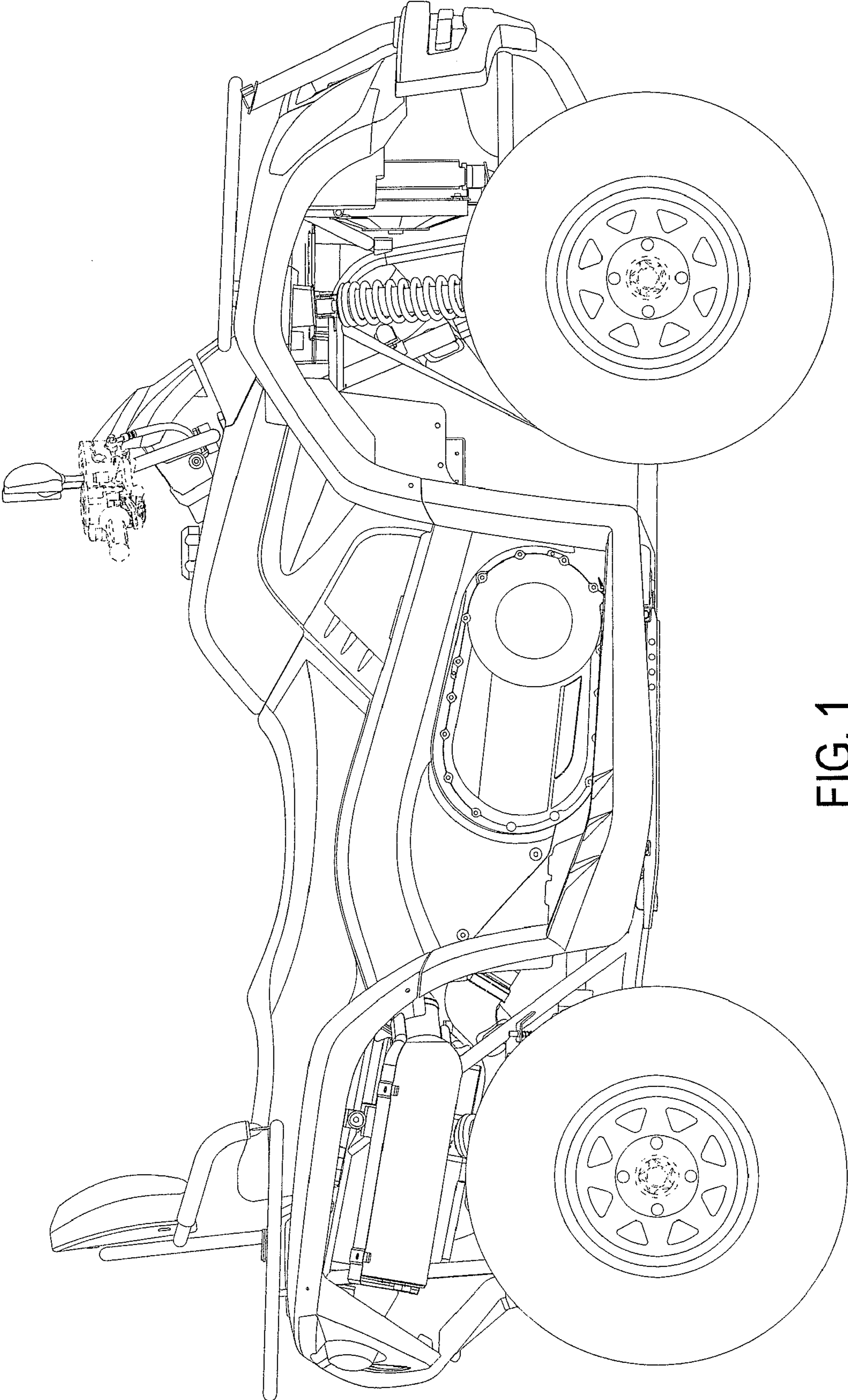


FIG. 1

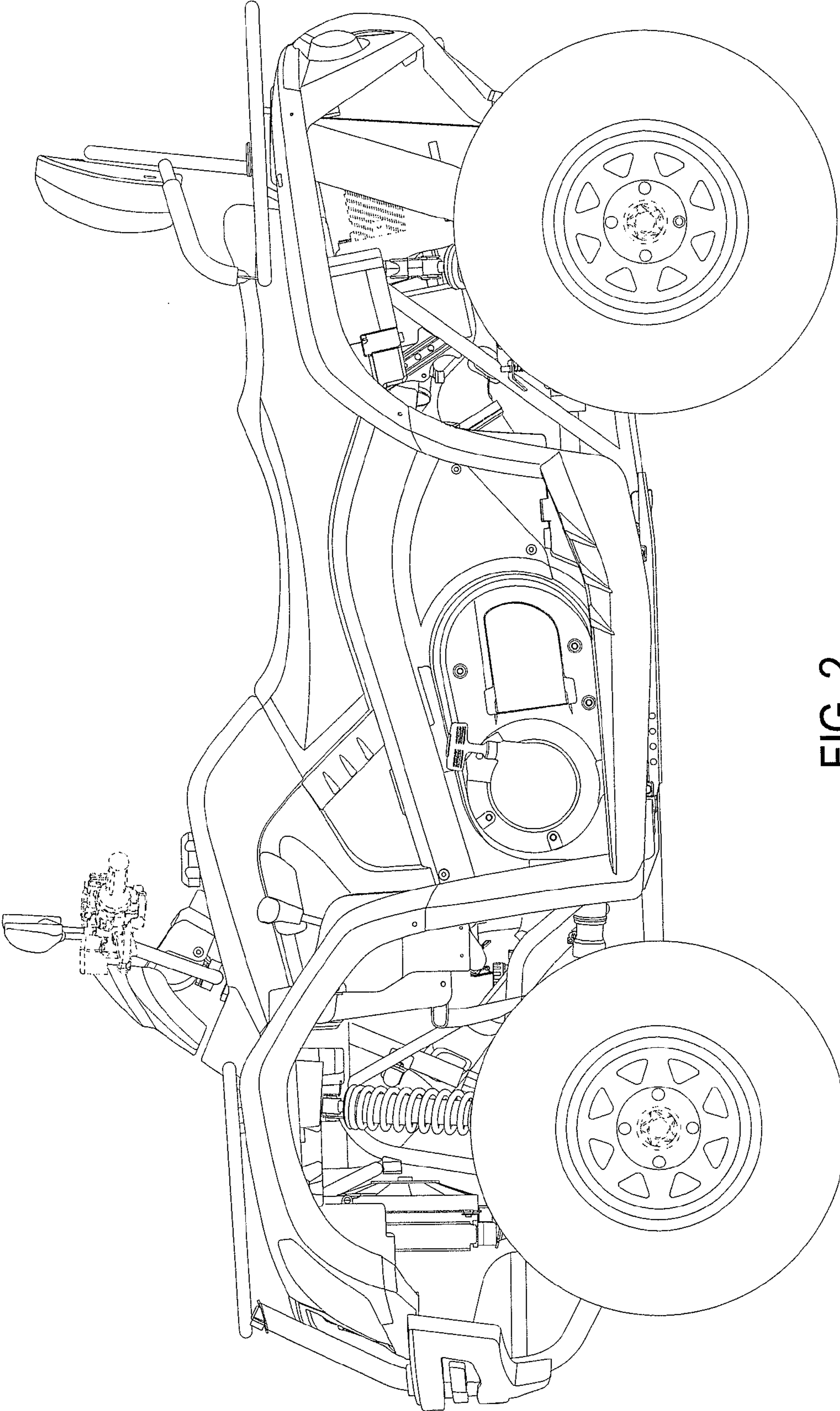


FIG. 2

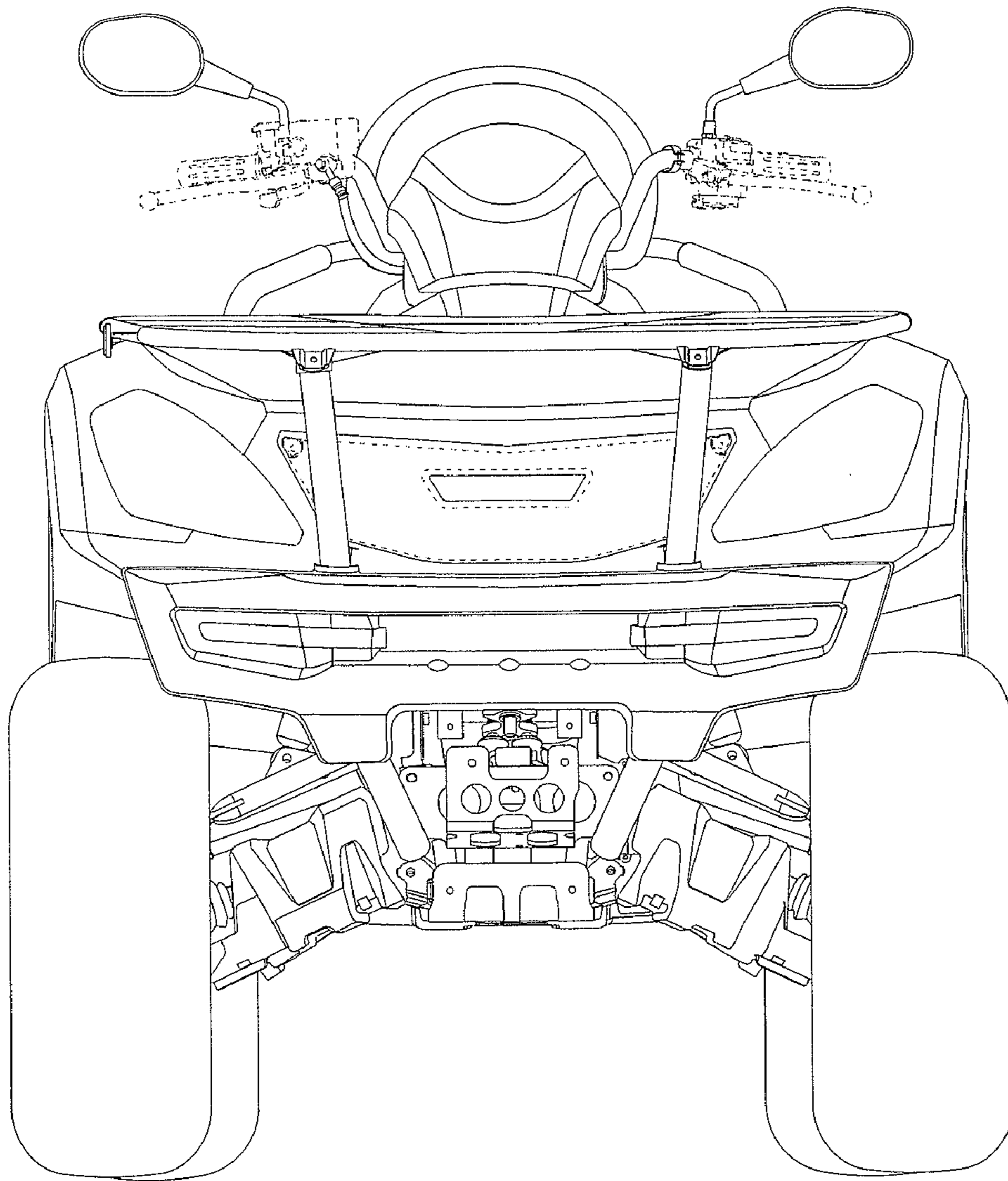


FIG. 3

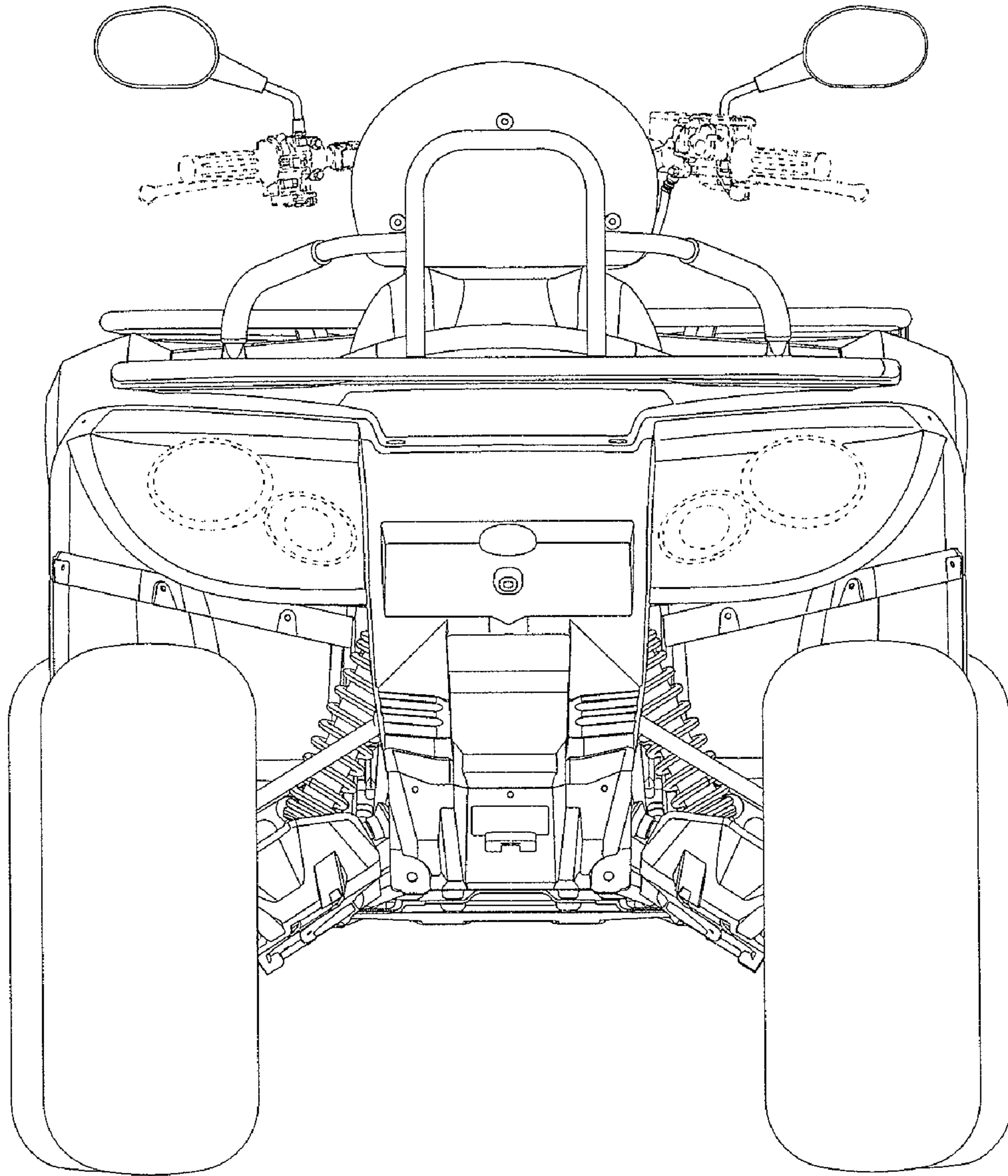


FIG. 4

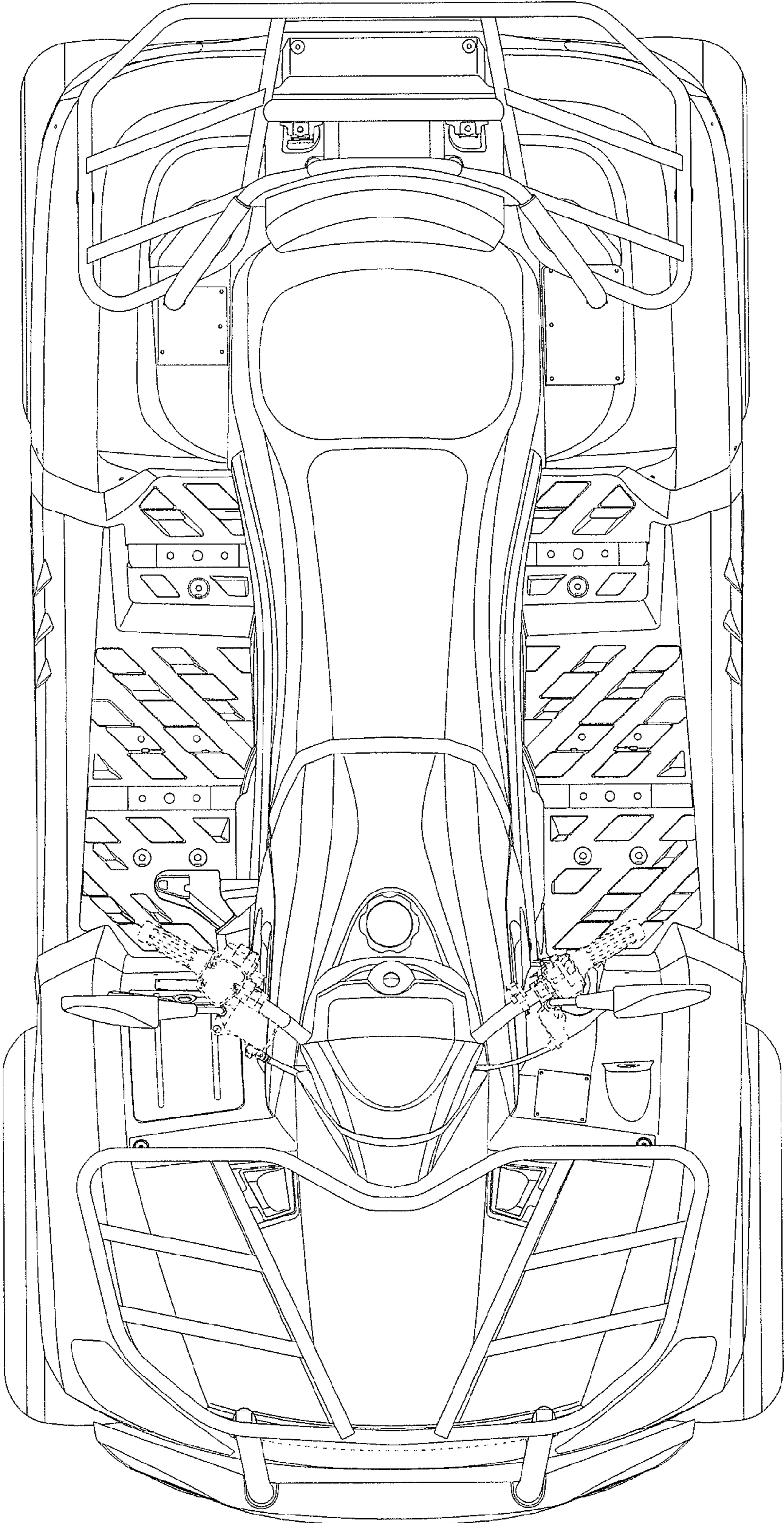


FIG. 5

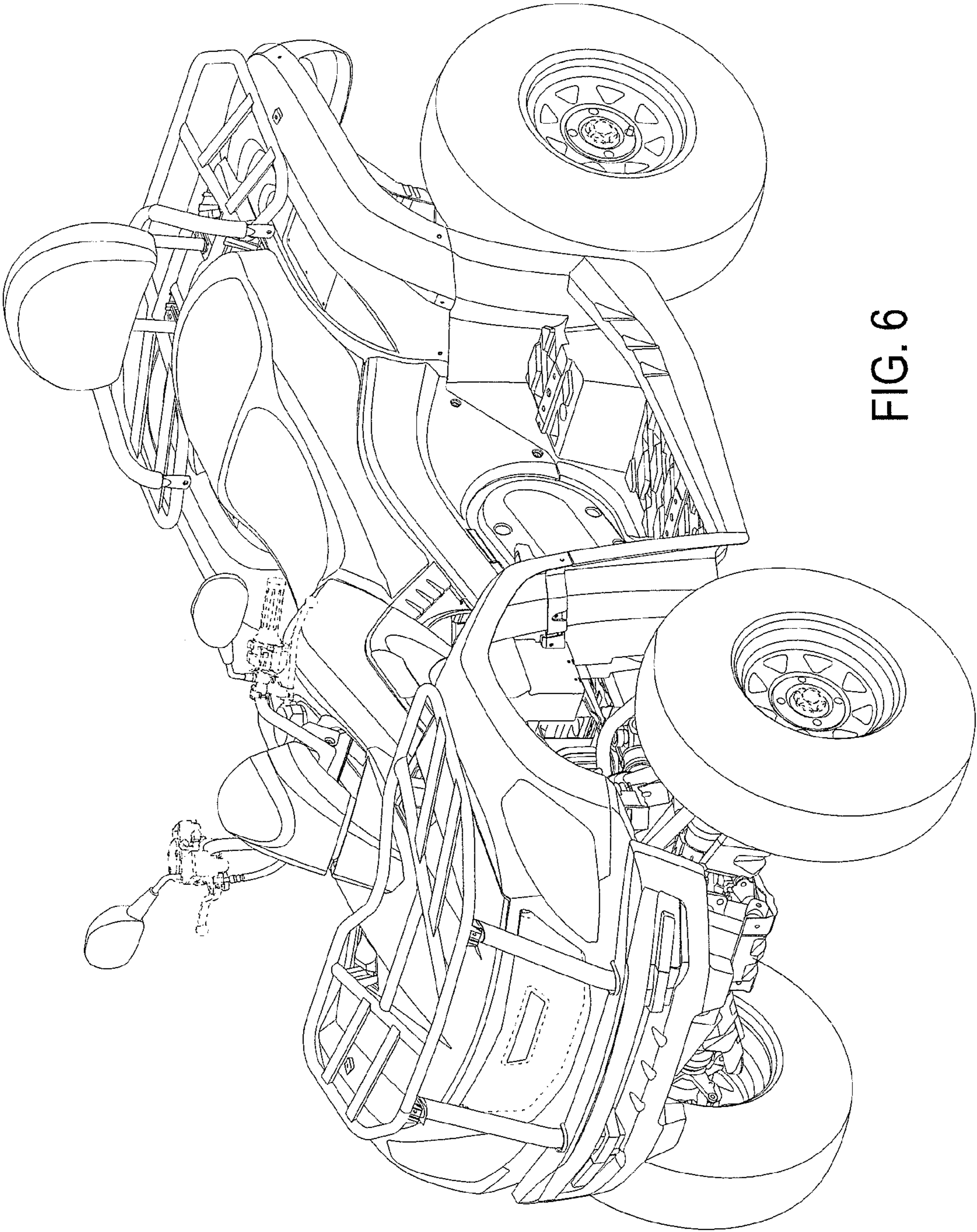


FIG. 6