



US00D640597S

(12) **United States Design Patent**
Zhang

(10) **Patent No.:** **US D640,597 S**

(45) **Date of Patent:** **** Jun. 28, 2011**

(54) **ELECTRIC VEHICLE**

(75) Inventor: **Xue-Qing Zhang**, SuZhou (CN)

(73) Assignee: **Suzhou Eagle Electric Vehicle Manufacturing Co., Ltd.**, Suzhou, Jiangsu Province (CN)

(**) Term: **14 Years**

(21) Appl. No.: **29/383,635**

(22) Filed: **Jan. 20, 2011**

(51) **LOC (9) Cl.** **12-02**

(52) **U.S. Cl.** **D12/16; D12/1; D12/14**

(58) **Field of Classification Search** D12/87,
D12/86, 1, 433, 15, 16, 107, 82, 88, 89, 90,
D12/91, 92, 93, 14; D15/30; D21/803; 180/233,
180/908; 280/DIG. 5, 183, 184, 185, 186,
280/28, 37.7

See application file for complete search history.

(56) **References Cited**

U.S. PATENT DOCUMENTS

D421,411 S * 3/2000 Molzon et al. D12/82
D503,905 S * 4/2005 Saito et al. D12/1
7,287,779 B2 * 10/2007 Miller 280/781
D589,397 S * 3/2009 Tuo D12/1
D610,037 S * 2/2010 Zhang et al. D12/1

D613,642 S * 4/2010 Zhang D12/1
D613,643 S * 4/2010 Zhang D12/1
D613,644 S * 4/2010 Zhang D12/1
D617,681 S * 6/2010 Tuo D12/16
D625,660 S * 10/2010 Houston et al. D12/16

* cited by examiner

Primary Examiner — T. Chase Nelson

Assistant Examiner — Ania Dworzecka

(74) *Attorney, Agent, or Firm* — Cheng-Ju Chiang

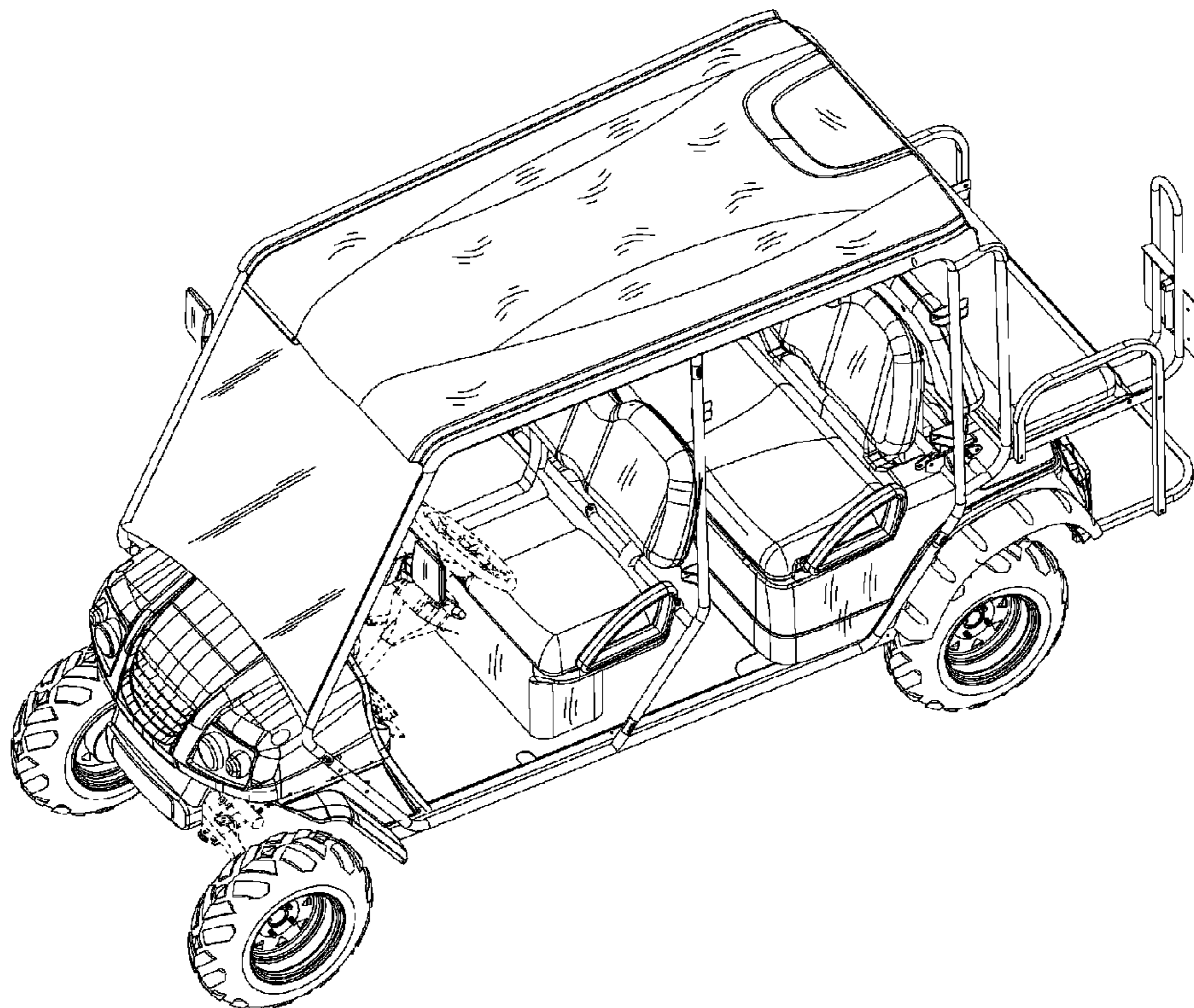
(57) **CLAIM**

The ornamental design for an electric vehicle, as shown and described.

DESCRIPTION

FIG. 1 is a top, front and right side perspective view of an electric vehicle showing my new design;
FIG. 2 is a front elevation view thereof;
FIG. 3 is a rear elevation view thereof;
FIG. 4 is a left side elevation view thereof;
FIG. 5 is a right side elevation view thereof;
FIG. 6 is a top plan view thereof; and,
FIG. 7 is a top, rear and right side perspective view thereof.
The bottom has no claimed ornamental features. The broken lines showing of elements in the figures are for the purpose of illustrating environment and form no part of the claimed design.

1 Claim, 7 Drawing Sheets



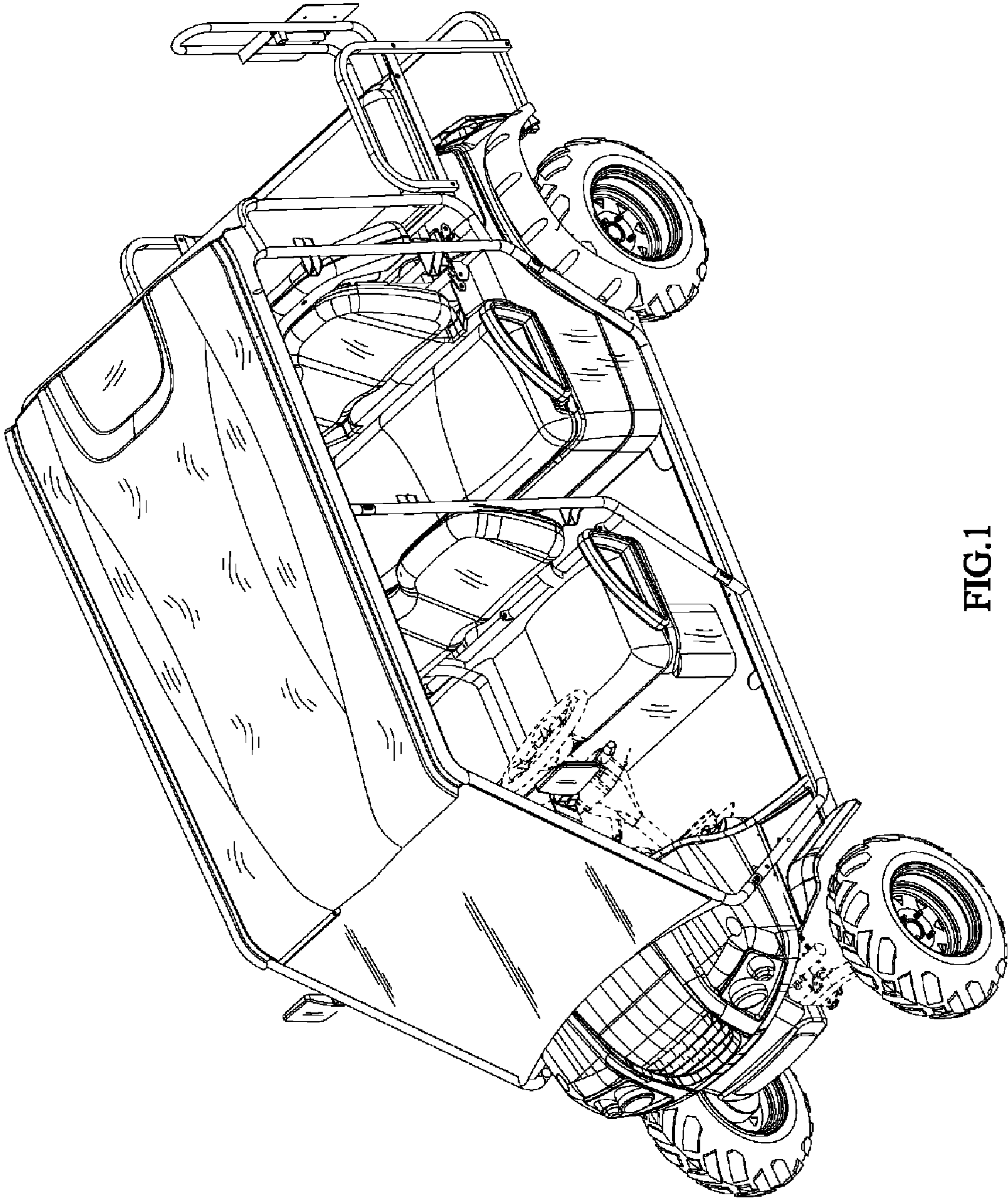


FIG.1

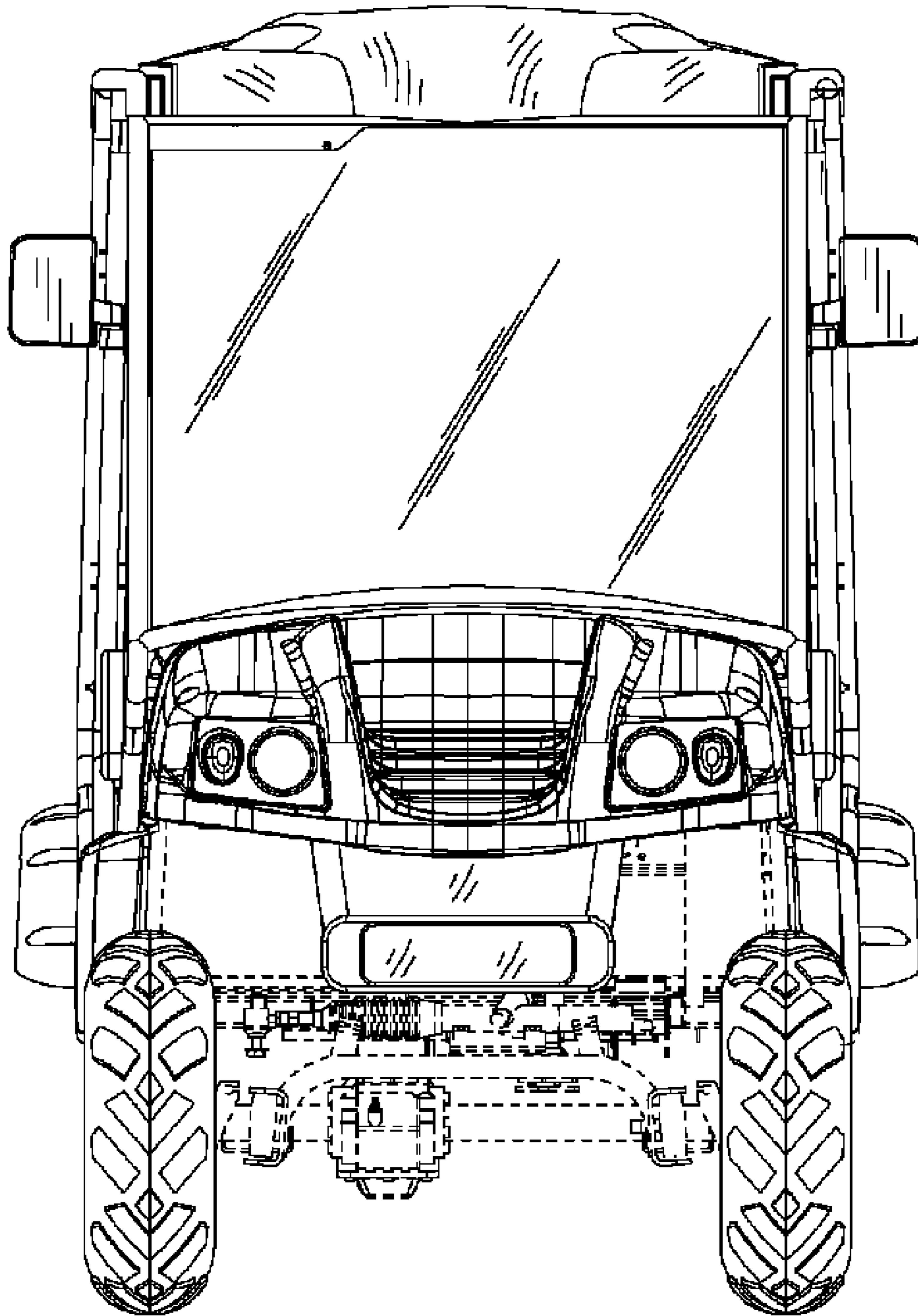


FIG.2

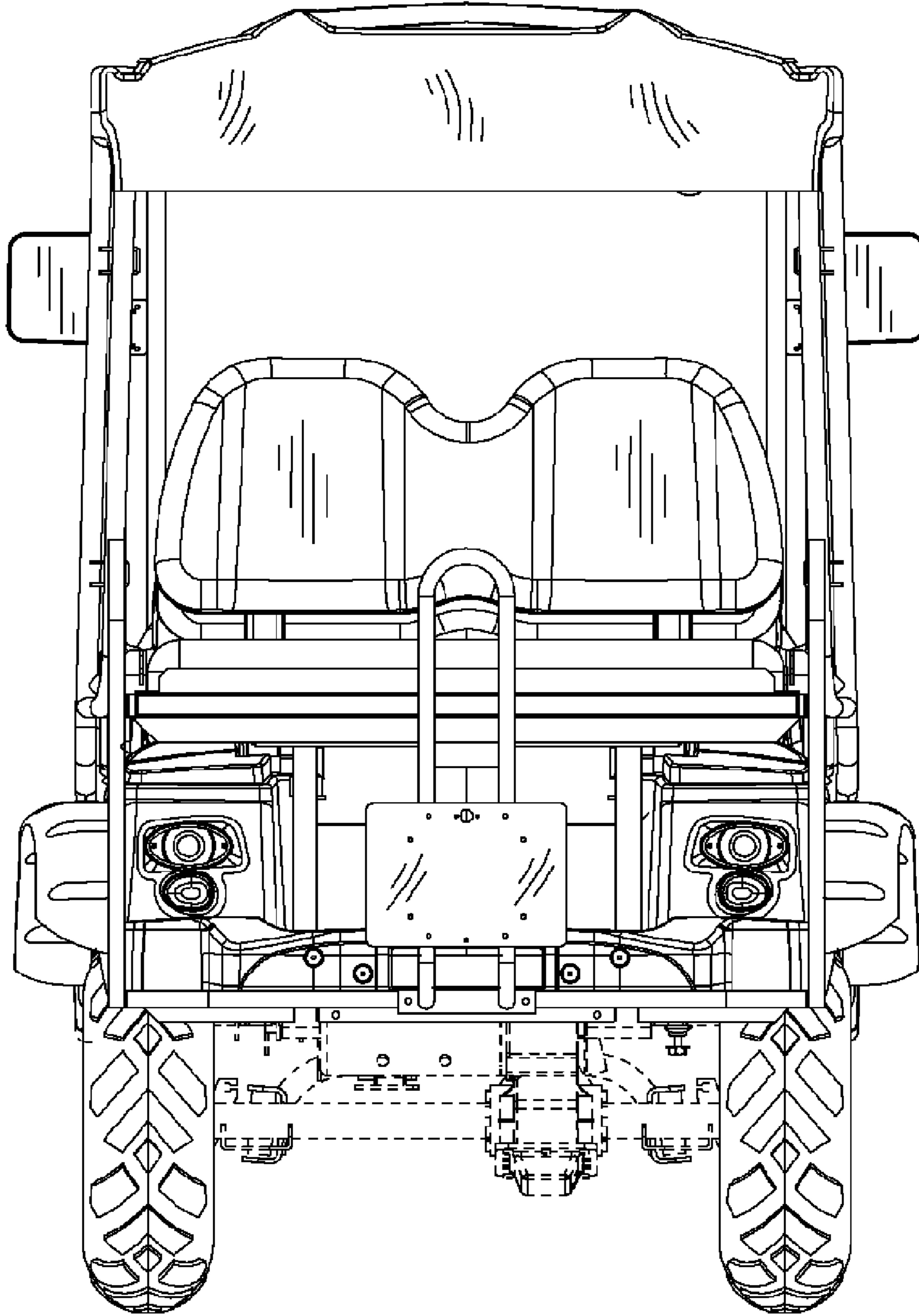


FIG.3

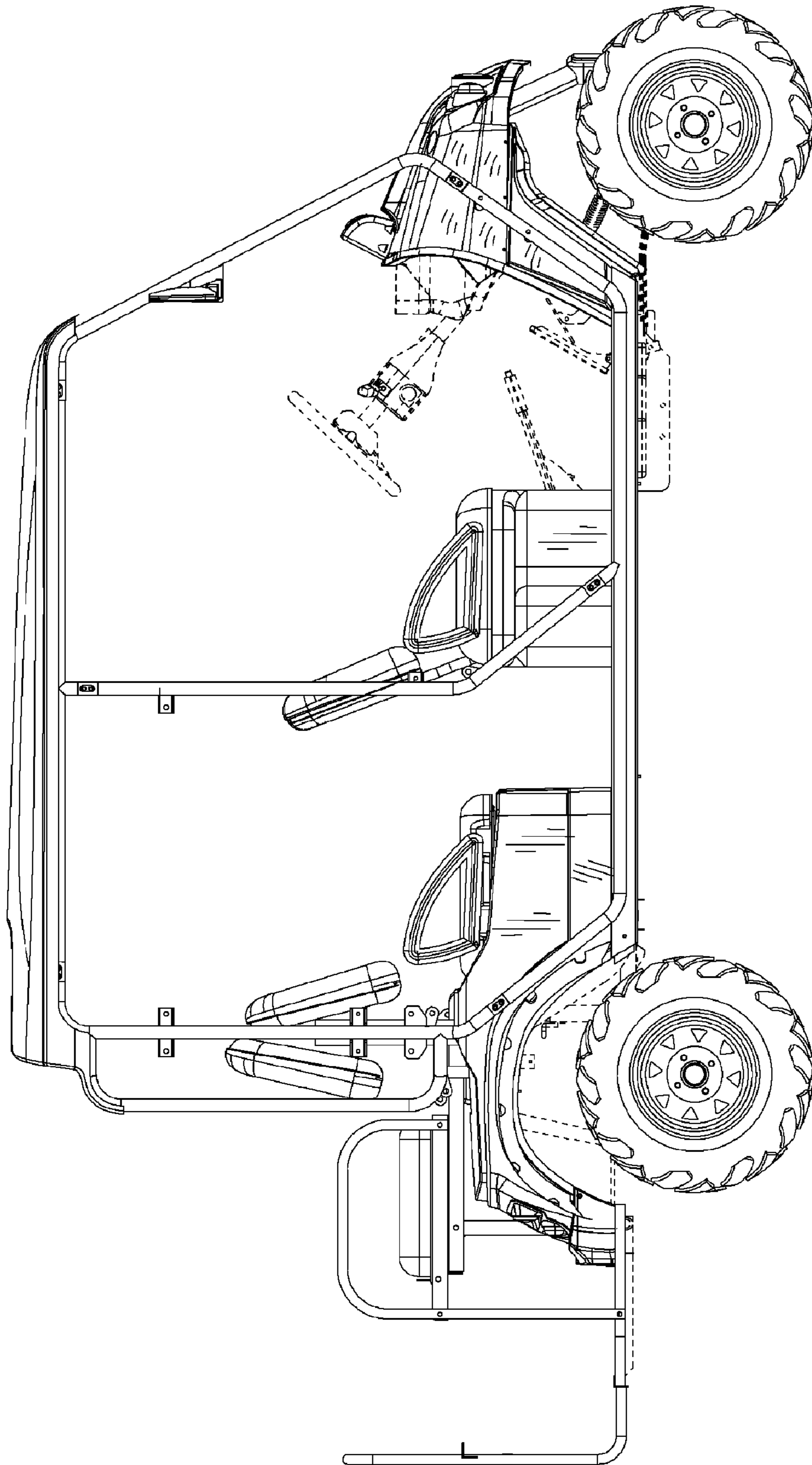


FIG.4

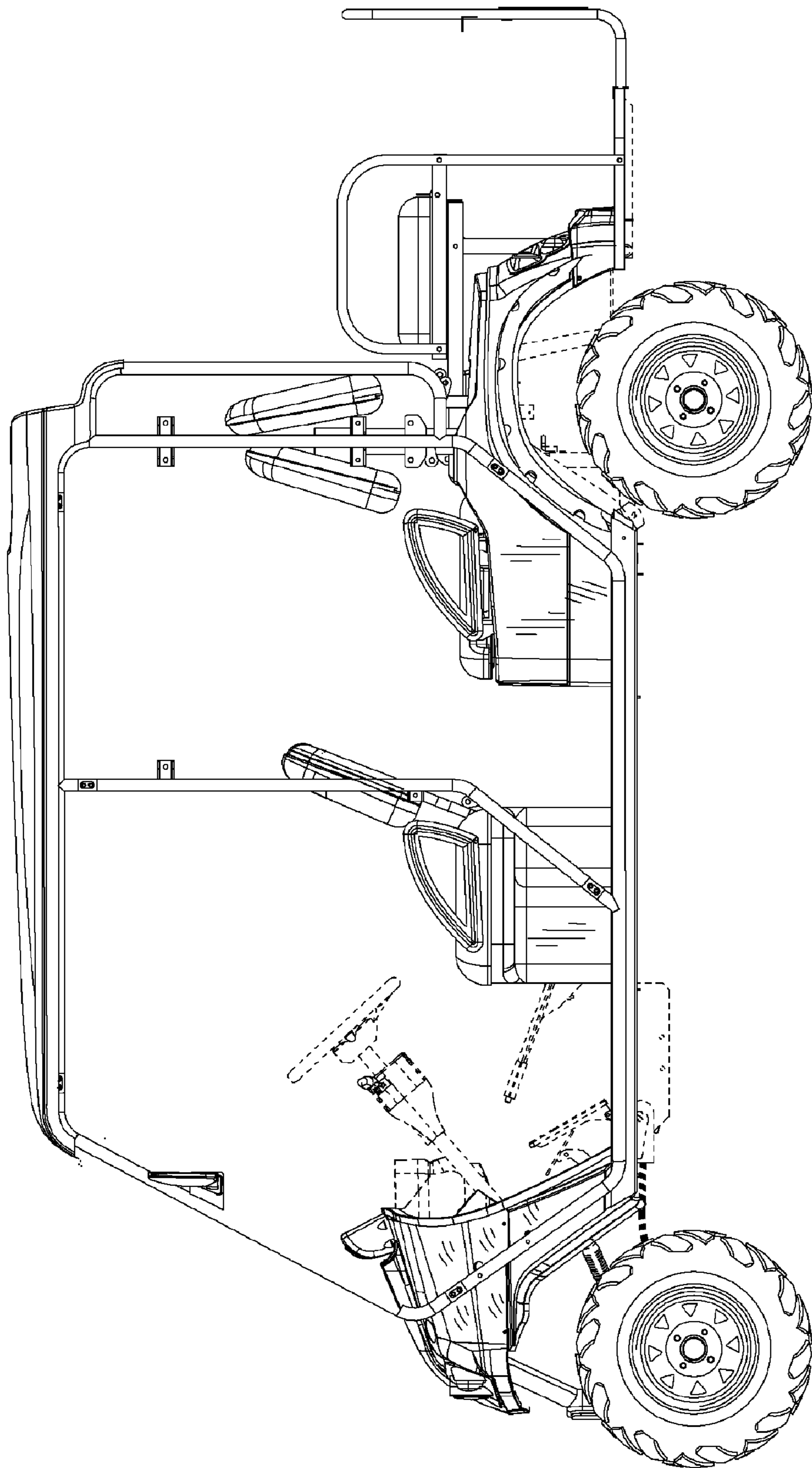


FIG.5

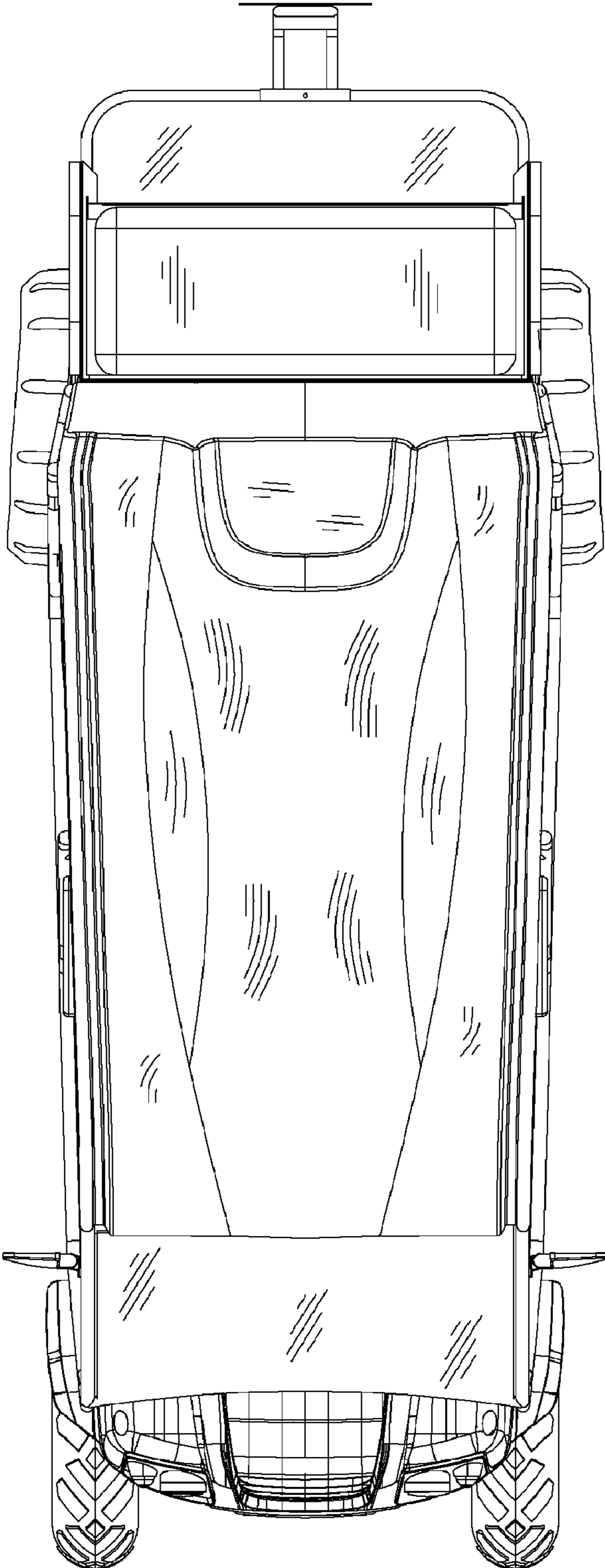


FIG.6

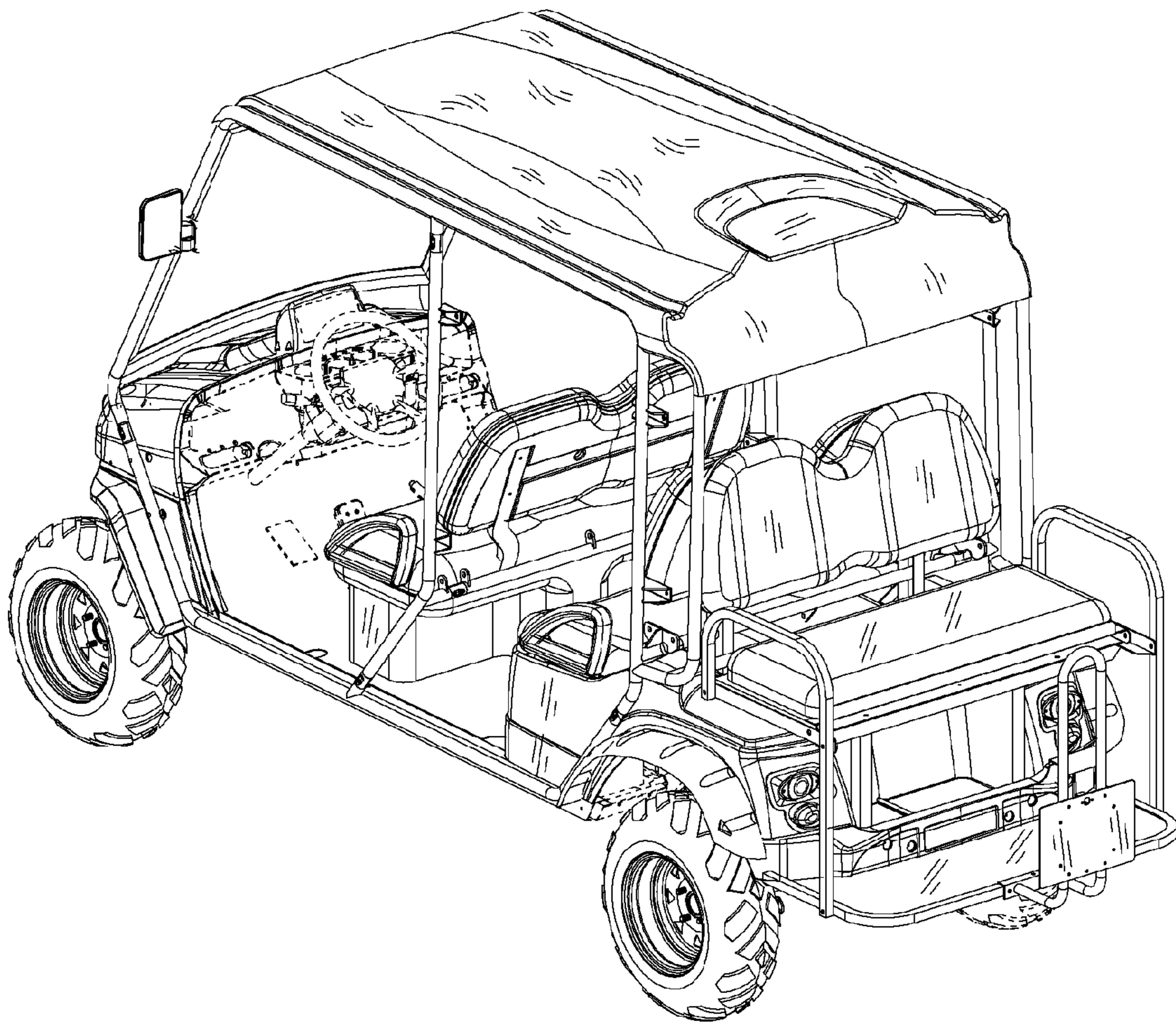


FIG. 7