



US00D640594S

(12) **United States Design Patent**
Zhang

(10) **Patent No.:** **US D640,594 S**
(45) **Date of Patent:** **** Jun. 28, 2011**

(54) **ELECTRIC VEHICLE**

(75) Inventor: **Xue-qing Zhang**, SuZhou (CN)

(73) Assignee: **Suzhou Eagle Electric Vehicle Manufacturing Co., Ltd.**, Suzhou, Jiangsu Province (CN)

(**) Term: **14 Years**

(21) Appl. No.: **29/382,244**

(22) Filed: **Dec. 30, 2010**

(51) **LOC (9) Cl.** **12-02**

(52) **U.S. Cl.** **D12/16; D12/1; D12/14**

(58) **Field of Classification Search** **D12/87, D12/86, 1, 433, 15, 16, 107, 82, 88, 89, 90, D12/91, 92, 93, 14; D15/30; D21/803; 180/233, 180/908; 280/DIG. 5, 183, 184, 185, 186, 280/28, 37.7**

See application file for complete search history.

(56) **References Cited**

U.S. PATENT DOCUMENTS

4,795,205	A *	1/1989	Gerber	296/77.1
D541,699	S *	5/2007	Andrews et	D12/16
D571,689	S *	6/2008	Andrews et al.	D12/16
D588,957	S *	3/2009	Tuo	D12/16
D589,397	S *	3/2009	Tuo	D12/1
D600,593	S *	9/2009	Hanson et al.	D12/16

D603,754	S *	11/2009	Tuo	D12/16
D617,681	S *	6/2010	Tuo	D12/16
D618,137	S *	6/2010	Yuan	D12/16

* cited by examiner

Primary Examiner — T. Chase Nelson

Assistant Examiner — Ania Dworzecka

(74) *Attorney, Agent, or Firm* — Cheng-Ju Chiang

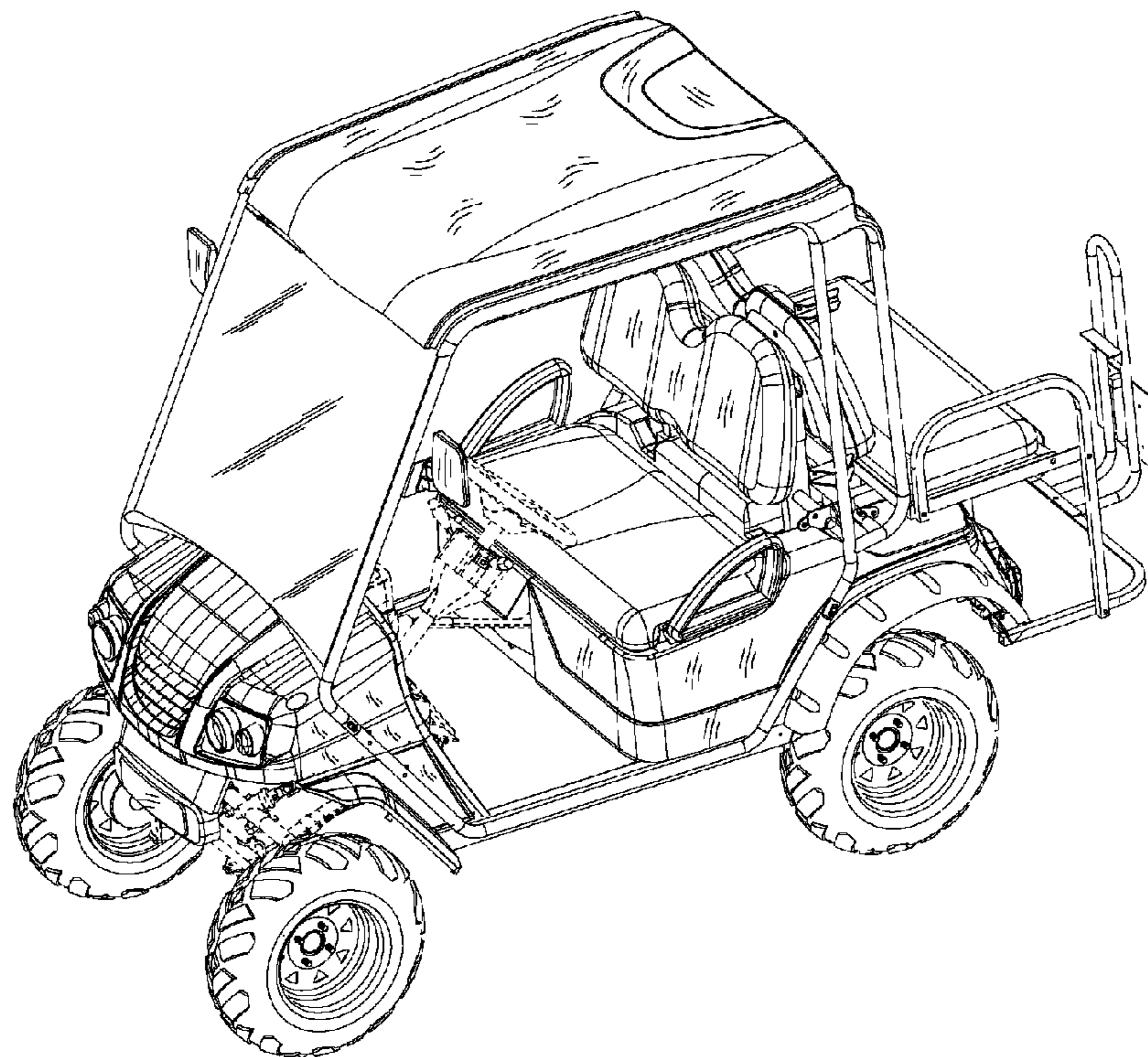
(57) **CLAIM**

The ornamental design for an electric vehicle, as shown and described.

DESCRIPTION

FIG. 1 is a top, front and right side perspective view of an electric vehicle showing our new design; FIG. 2 is a front elevation view thereof; FIG. 3 is a rear elevation view thereof; FIG. 4 is a left side elevation view thereof; FIG. 5 is a right side elevation view thereof; FIG. 6 is a top plan view thereof; and, FIG. 7 is a top, rear and right side perspective view thereof. The bottom has no claimed ornamental features. The broken lines showing of elements in the figures are for the purpose of illustrating environment and form no part of the claimed design.

1 Claim, 7 Drawing Sheets



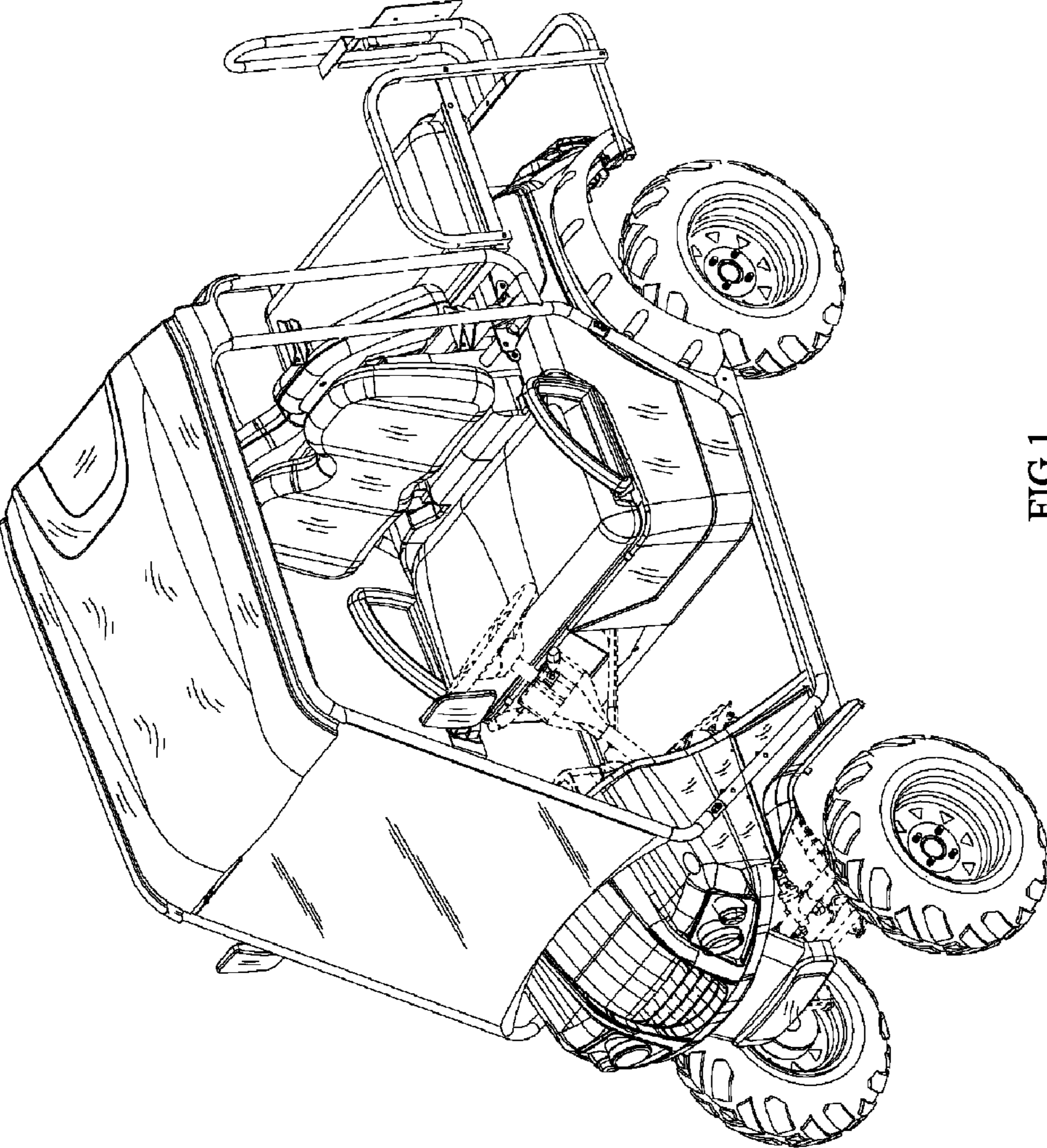


FIG.1

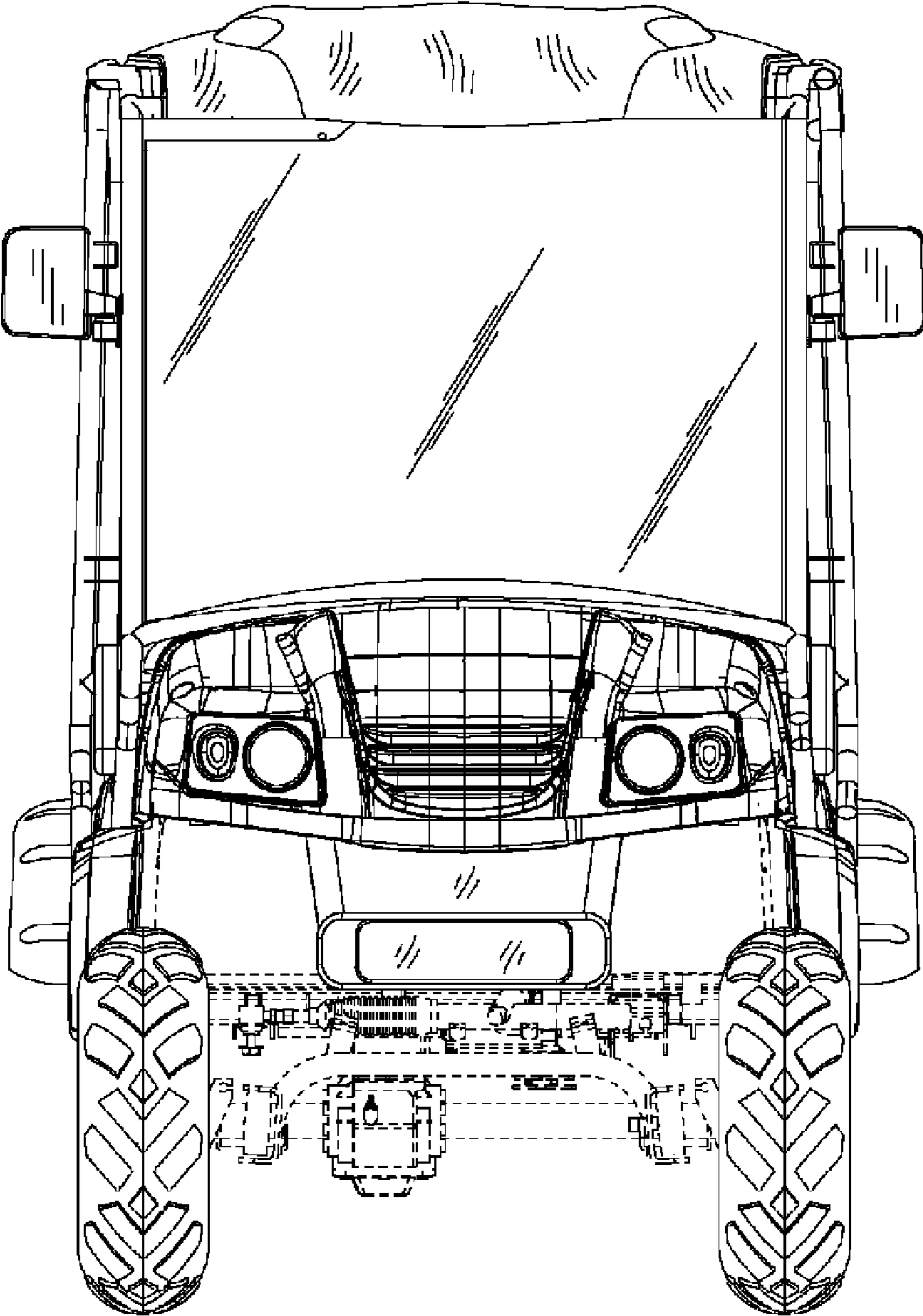


FIG.2

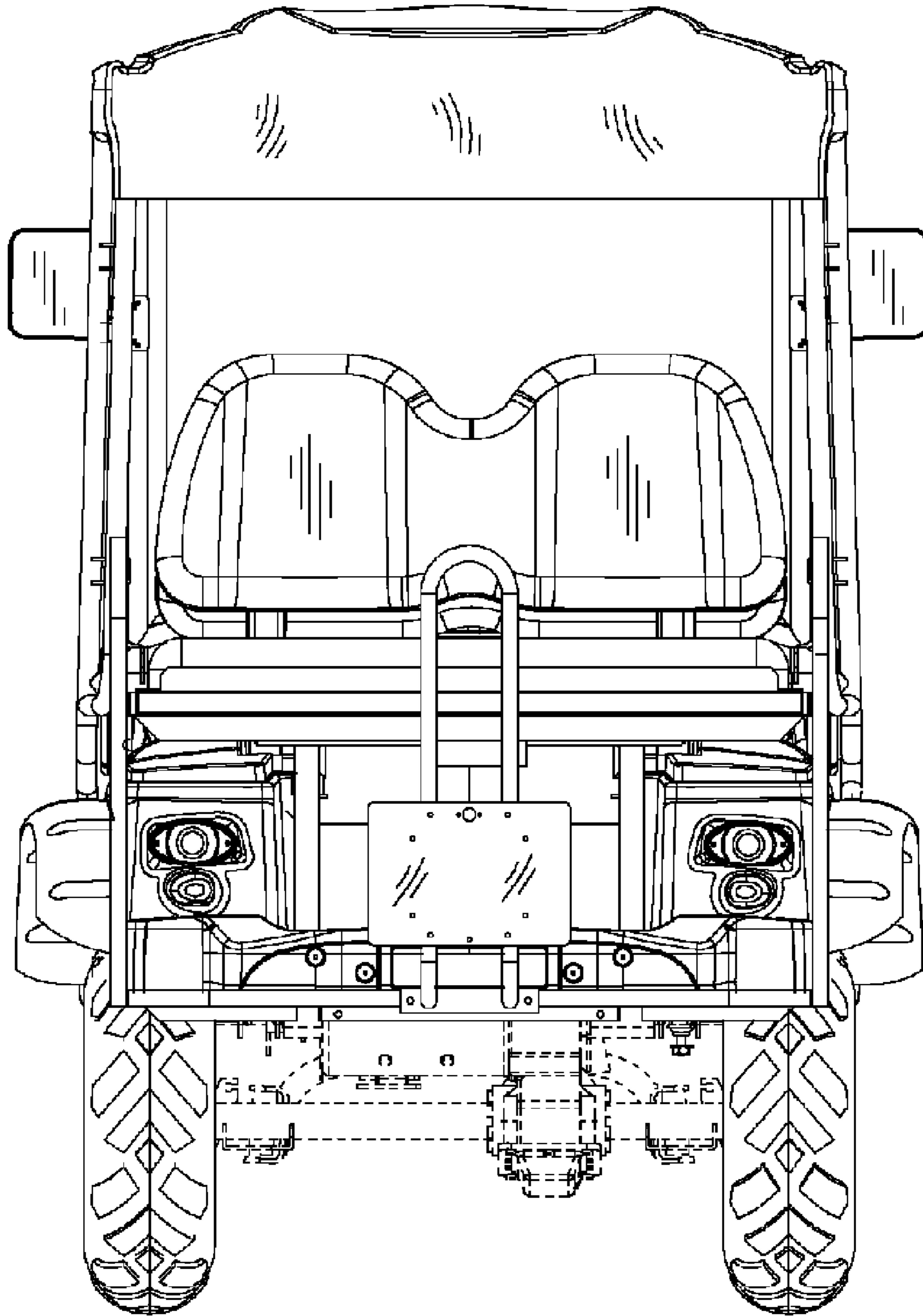


FIG.3

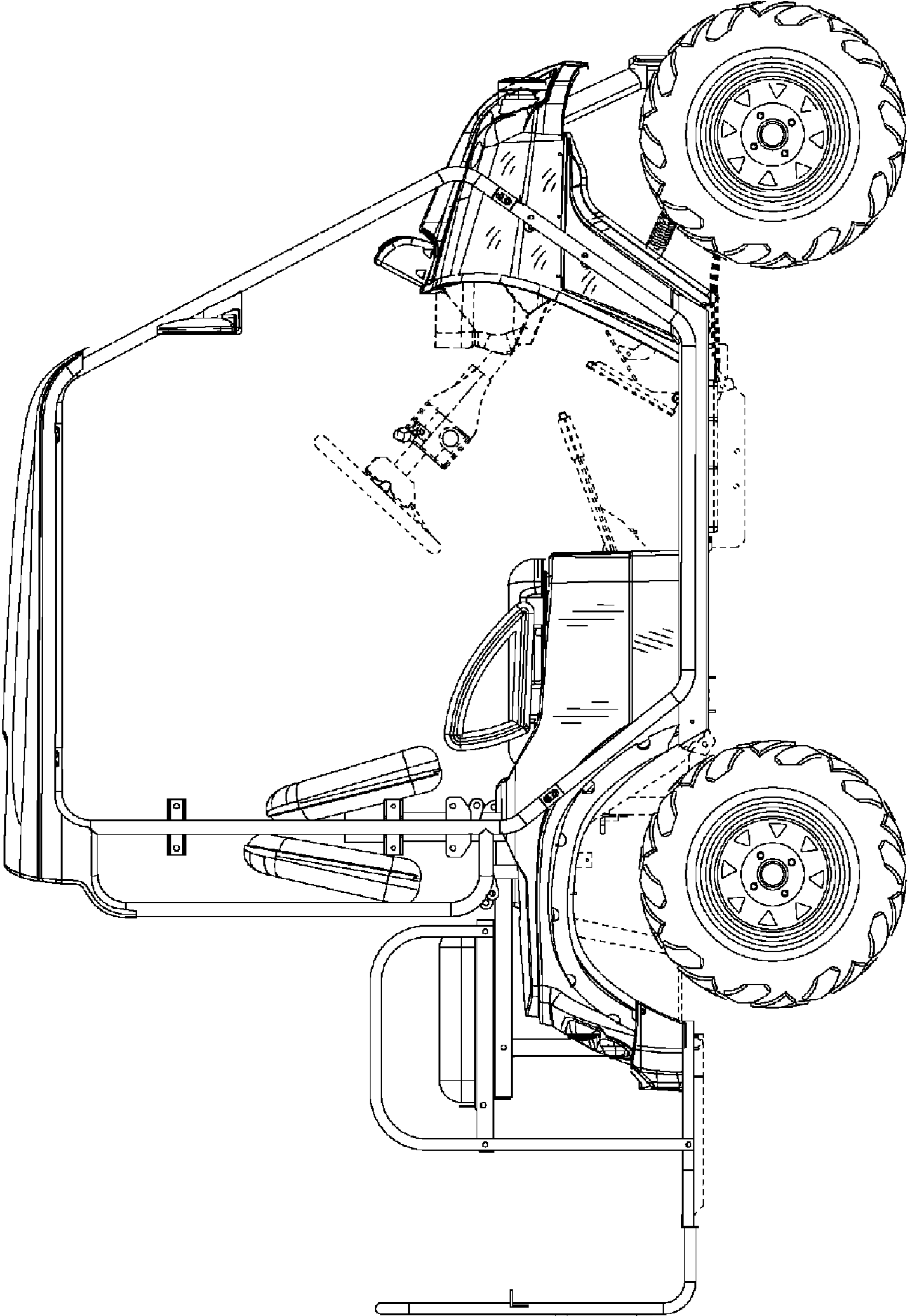


FIG.4

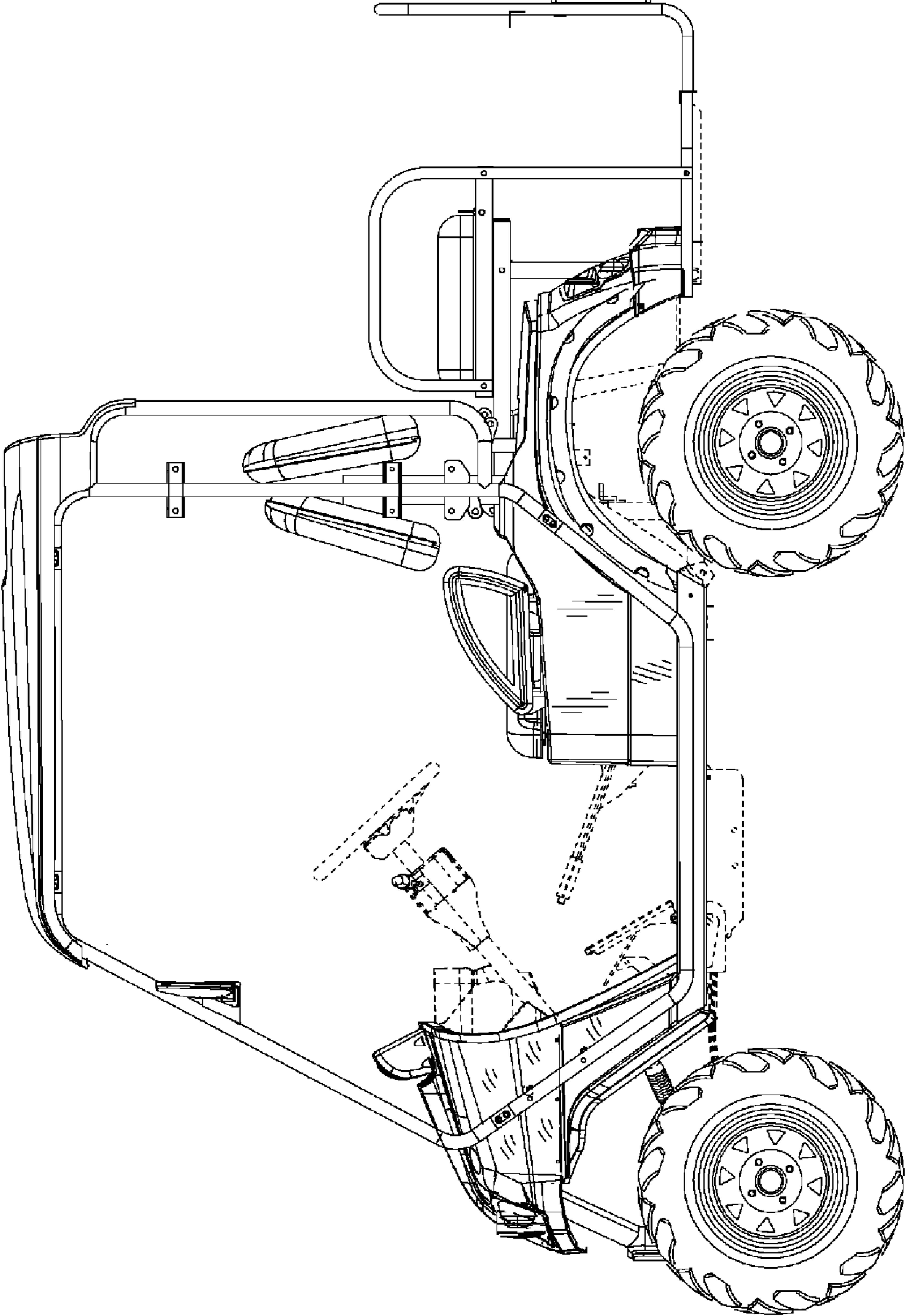


FIG.5

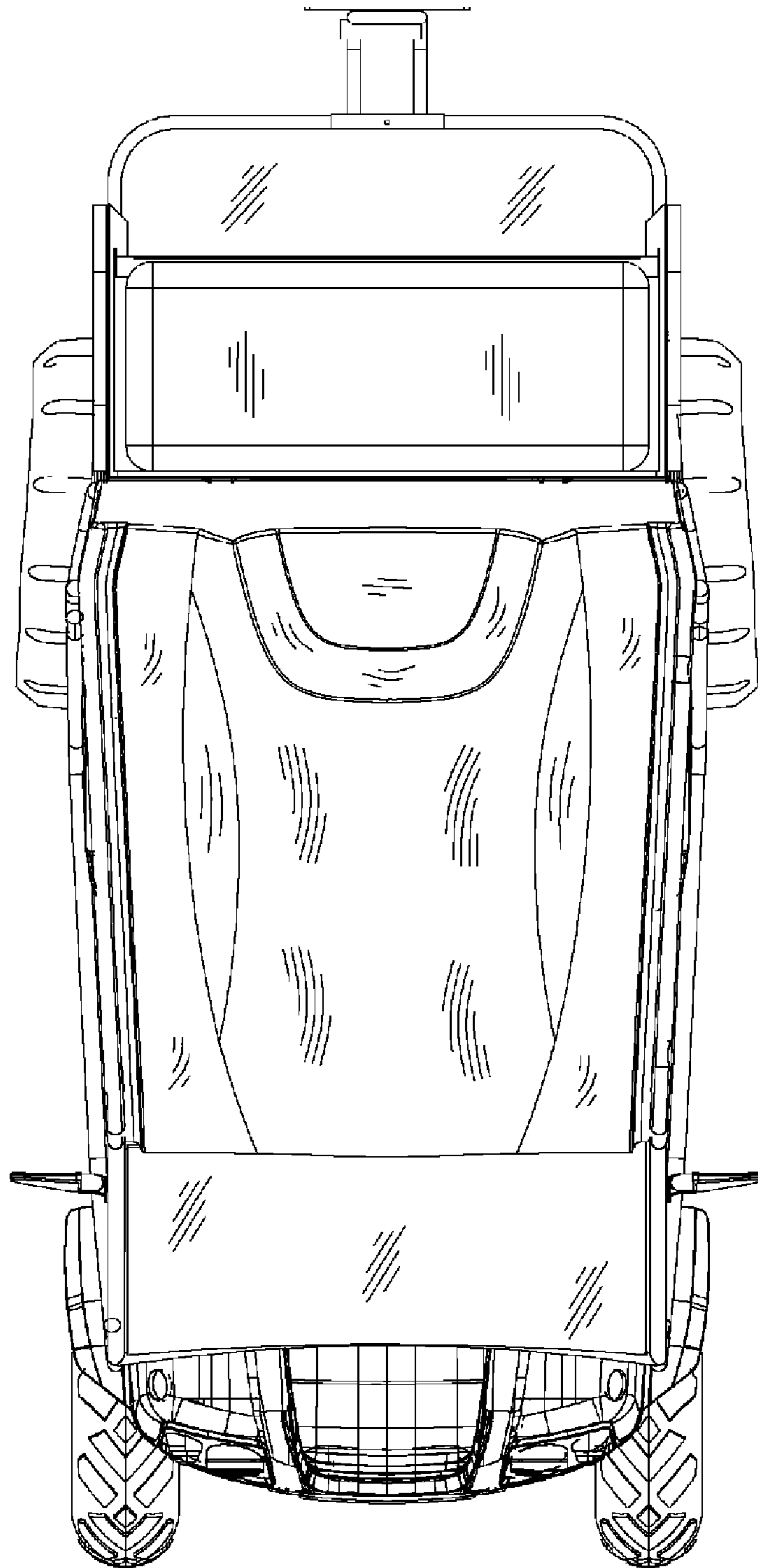


FIG.6

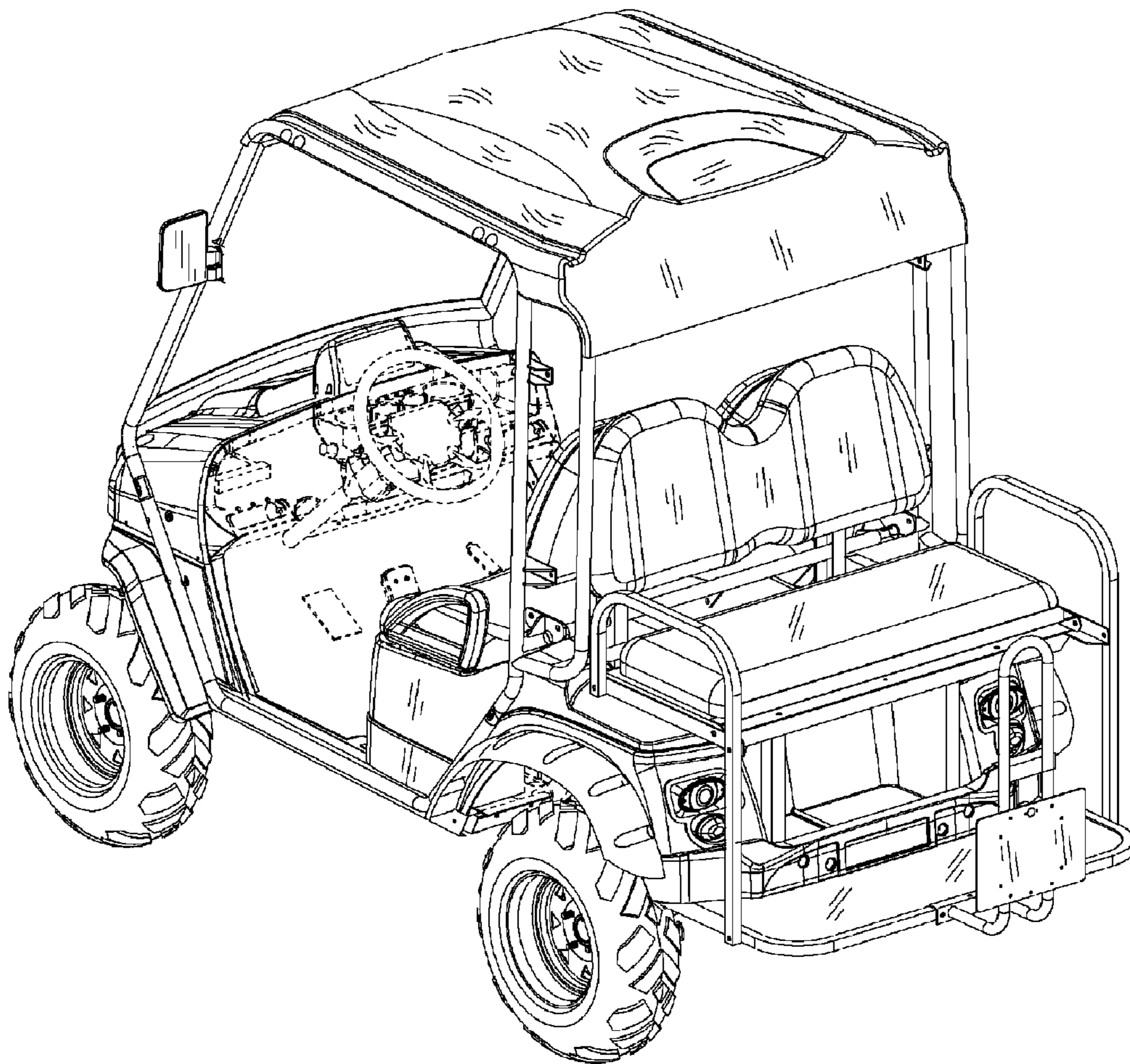


FIG.7