



US00D640593S

(12) **United States Design Patent**
Wanibuchi et al.

(10) **Patent No.:** **US D640,593 S**
(45) **Date of Patent:** **** Jun. 28, 2011**

(54) **CLIP FOR A WRISTBAND**

(75) Inventors: **Hiroshi Wanibuchi**, Matsumoto (JP);
Masaru Tejima, Nagareyama (JP);
Satoshi Koizumi, Shiojiri (JP)

(73) Assignee: **Seiko Epson Corporation**, Tokyo (JP)

(**) Term: **14 Years**

(21) Appl. No.: **29/381,160**

(22) Filed: **Dec. 16, 2010**

(30) **Foreign Application Priority Data**

Jul. 8, 2010 (JP) 2010-016687

(51) **LOC (9) Cl.** **02-07**

(52) **U.S. Cl.** **D11/226**

(58) **Field of Classification Search** D11/5,
D11/200-231; 24/623, 697.2, 688-690,
24/662, 381, 385, 713.8; 63/20; D8/380,
D8/382-383, 356; D24/129, 146
See application file for complete search history.

(56) **References Cited**

U.S. PATENT DOCUMENTS

D383,414 S * 9/1997 McDonough D11/220
D411,478 S * 6/1999 Kenagy D11/220
D439,147 S * 3/2001 Kenagy D8/382
D465,843 S * 11/2002 Guala D24/129
D519,052 S * 4/2006 Watanabe D11/5
D529,374 S * 10/2006 Watanabe D8/395
D584,186 S * 1/2009 Levin D11/226
D593,680 S * 6/2009 Hafele et al. D24/143

FOREIGN PATENT DOCUMENTS

JP 1144936 6/2002
JP 1164998 * 2/2003
JP 1215846 * 8/2004
JP 1216699 * 9/2004
* cited by examiner

Primary Examiner — T. Chase Nelson
Assistant Examiner — Mark Cavanna

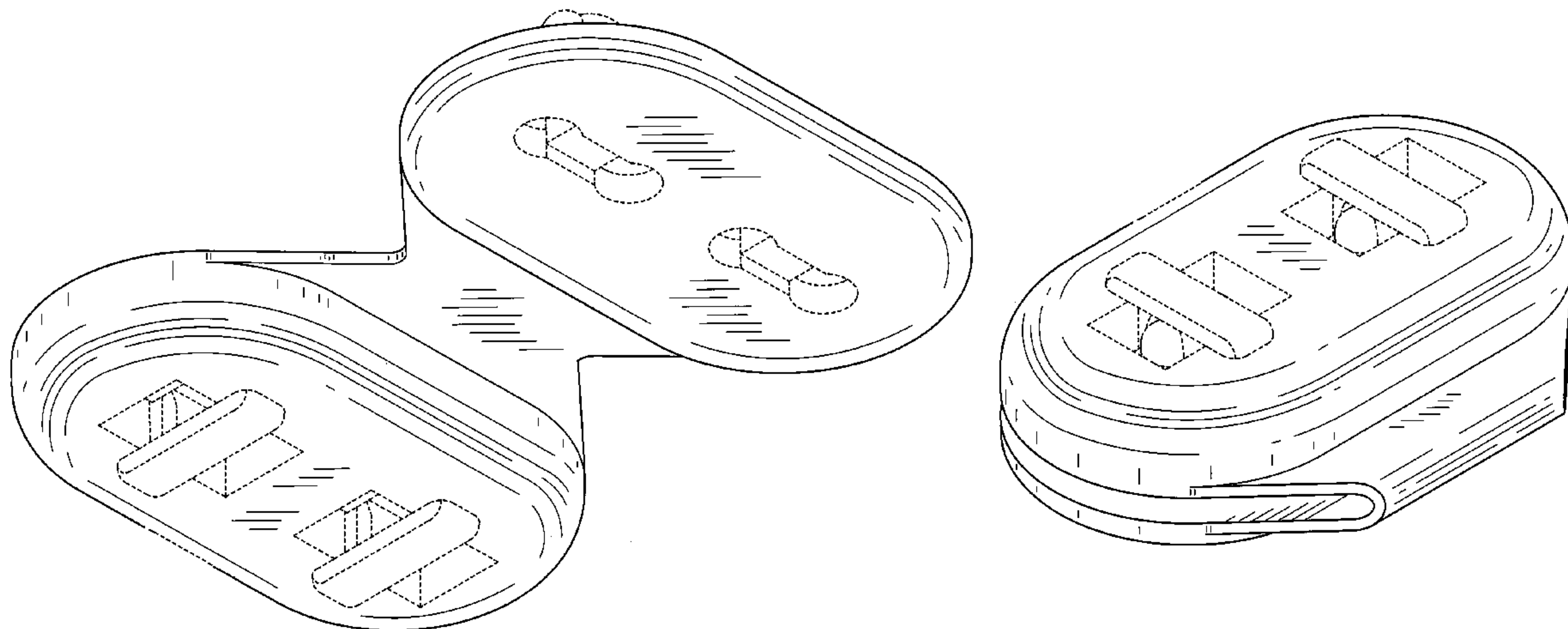
(57) **CLAIM**

The ornamental design for a clip for a wristband, as shown and described.

DESCRIPTION

FIG. 1 is a top, front and right side perspective view of a clip for a wristband showing our new design;
FIG. 2 is a bottom, rear and left side perspective view thereof;
FIG. 3 is a front view thereof, the rear view being a mirror image of FIG. 3;
FIG. 4 is a top plan view thereof;
FIG. 5 is a bottom plan view thereof;
FIG. 6 is a right side elevational view thereof;
FIG. 7 is a left side elevational view thereof;
FIG. 8 is a cross-sectional view taken along line 8—8 in FIG. 3;
FIG. 9 is a cross-sectional view taken along line 9—9 in FIG. 4;
FIG. 10 is a perspective view showing the article in the closed state; and,
FIG. 11 is a perspective view showing the article attached to a wristband.
The broken lines formed by dashes are shown for illustrative purposes only and form no part of the claimed design. The broken lines formed by a shorter dash between longer dashes define the boundaries of the claimed design but form no part thereof.

1 Claim, 10 Drawing Sheets



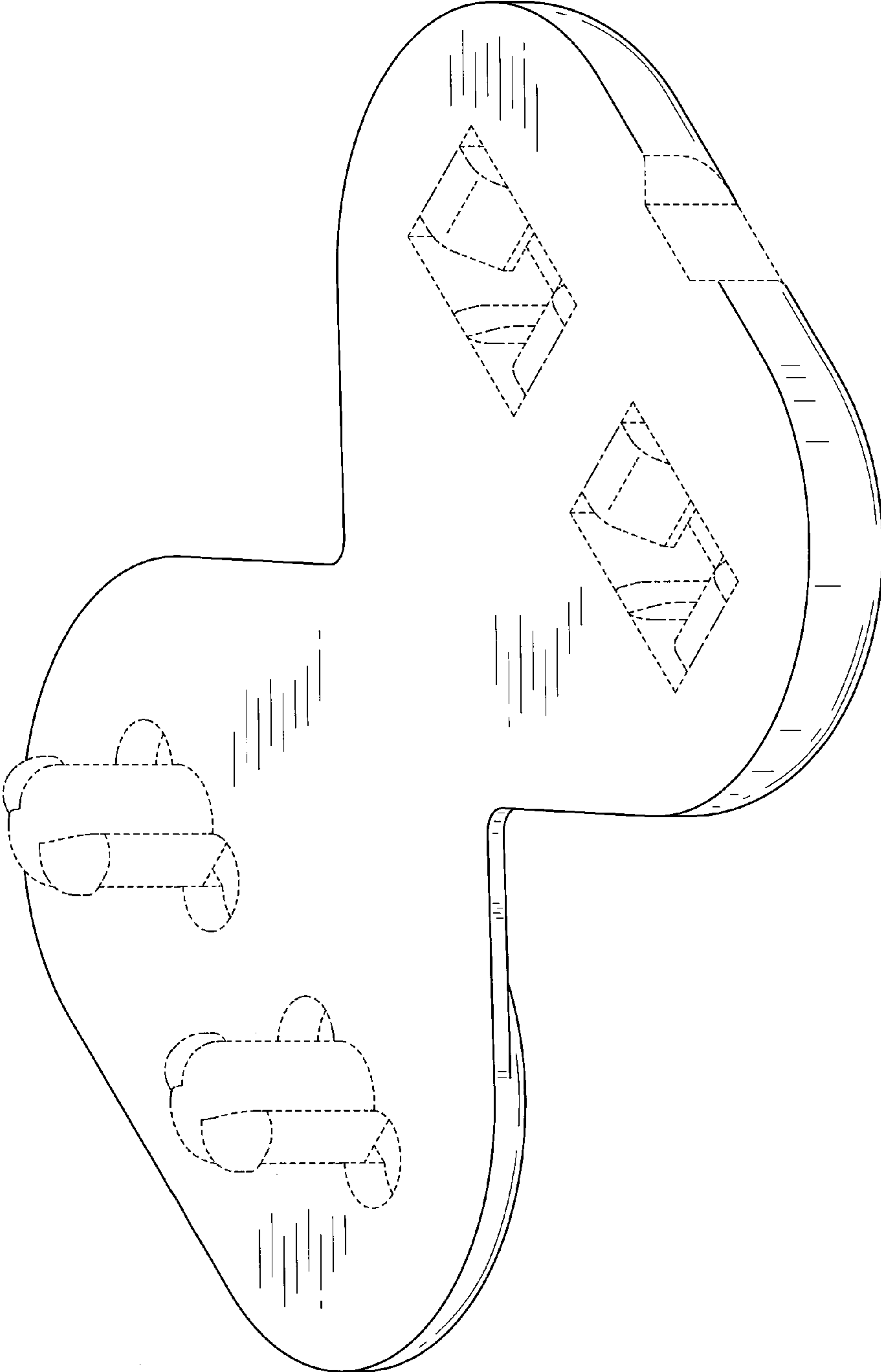


Fig. 1

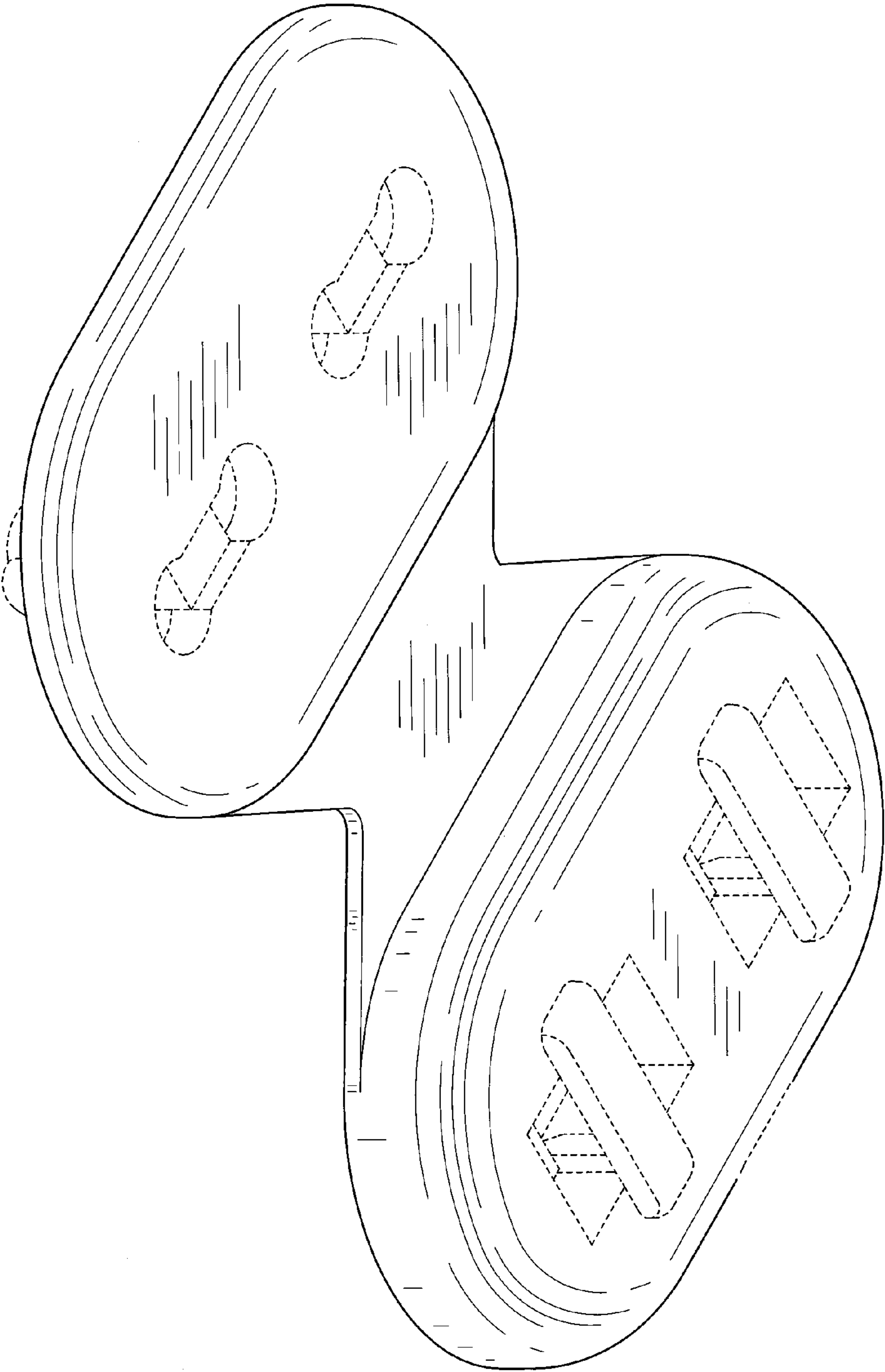


Fig. 2

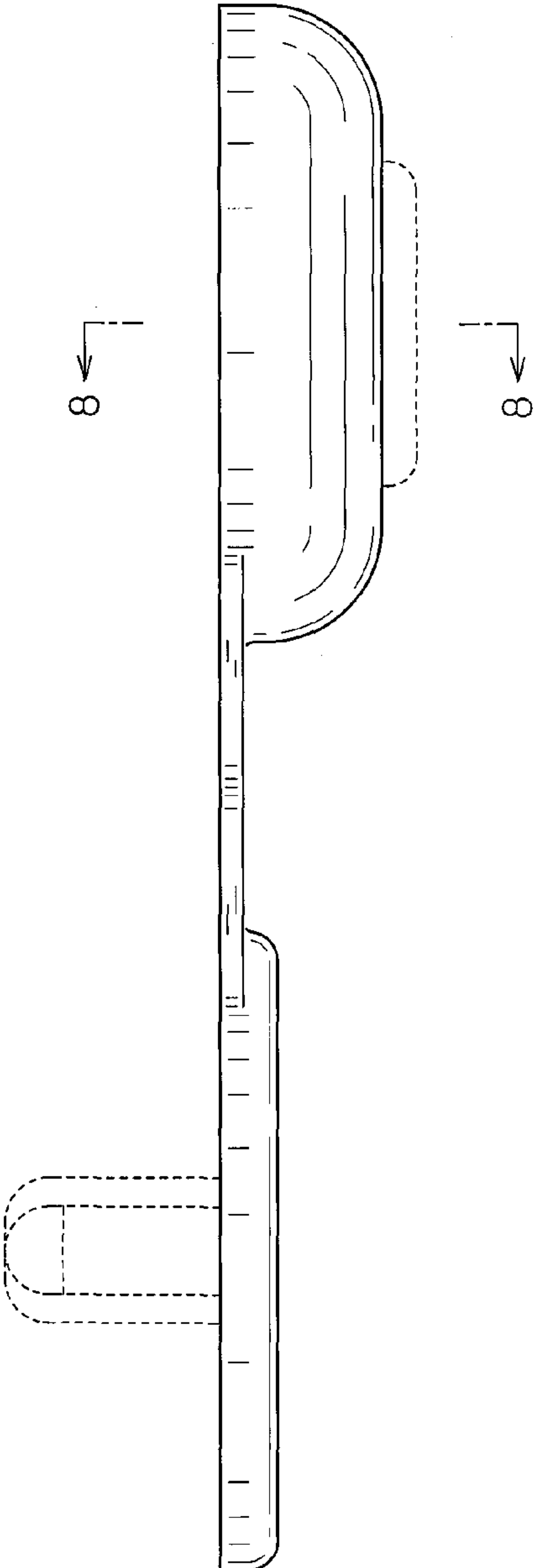


Fig. 3

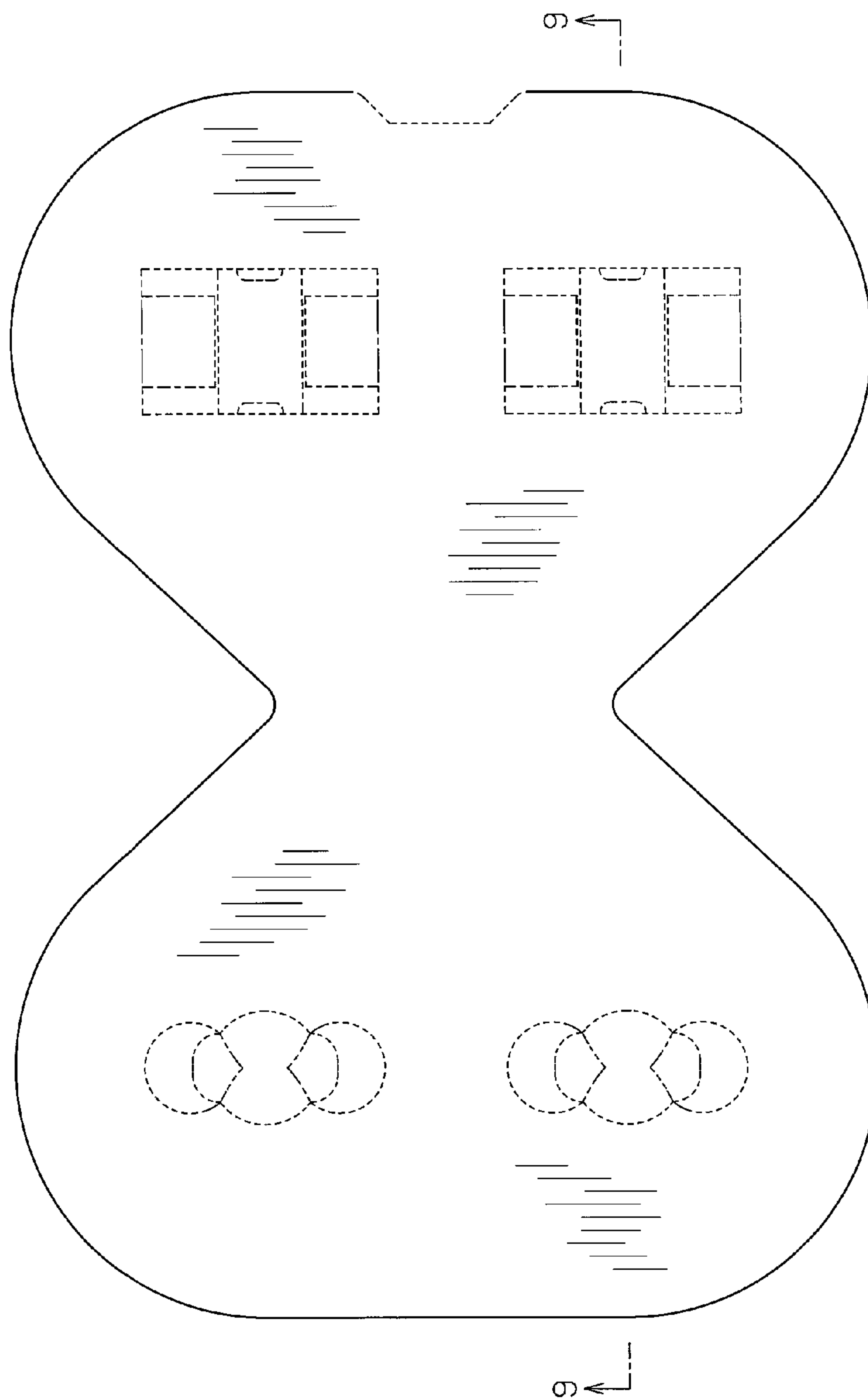


Fig. 4

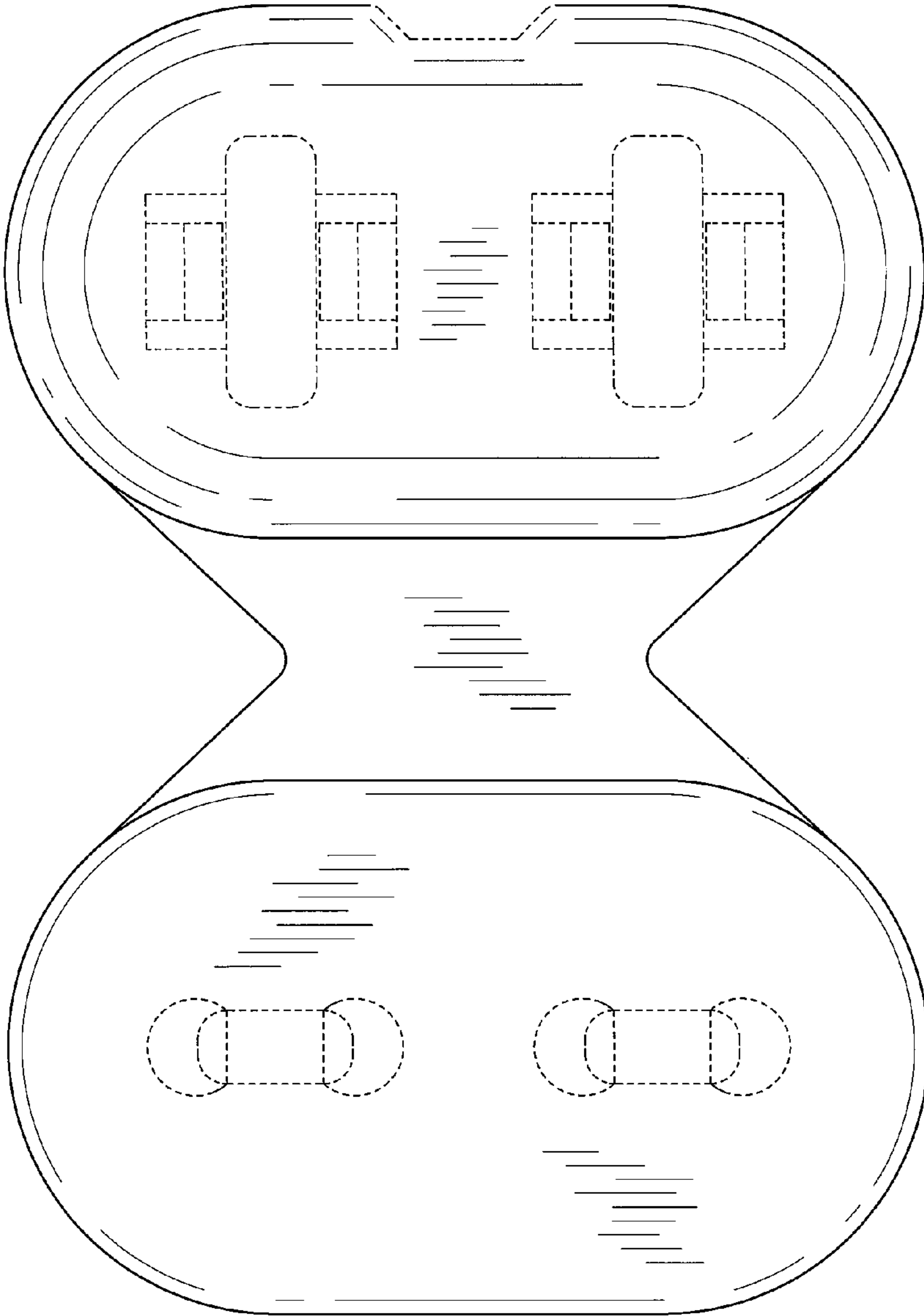


Fig. 5

Fig. 6

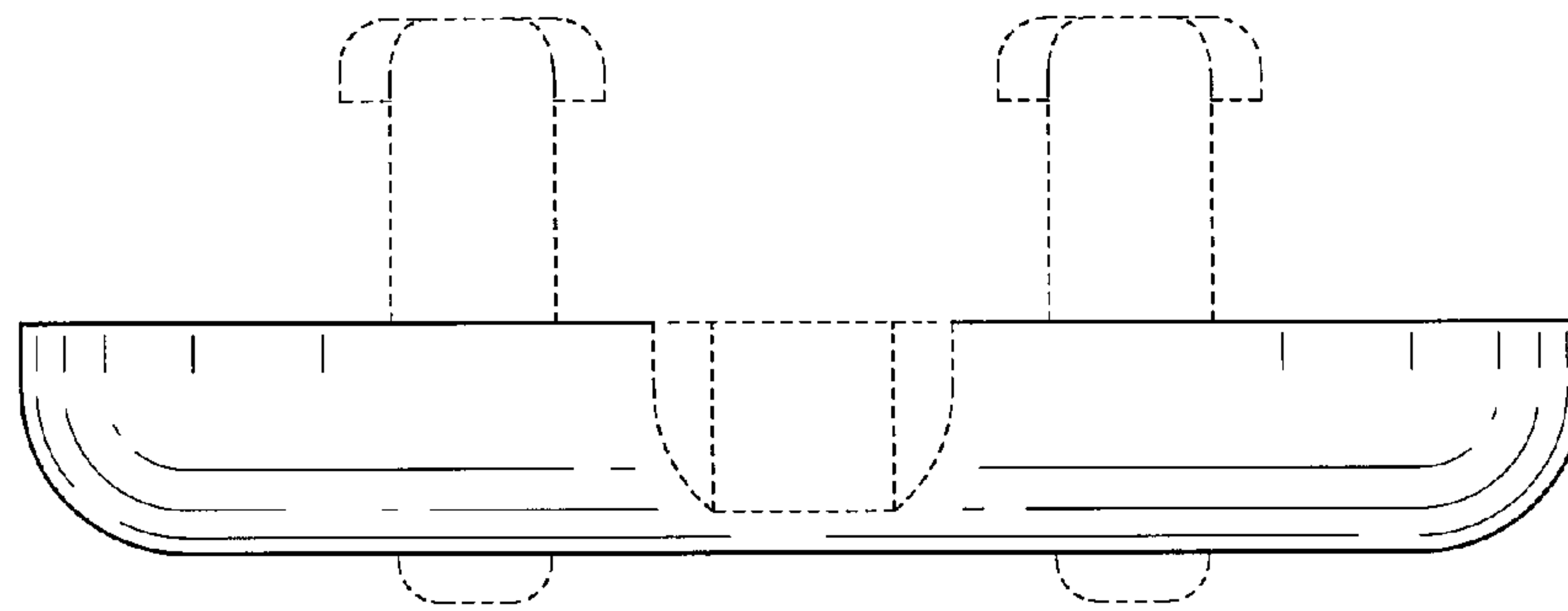
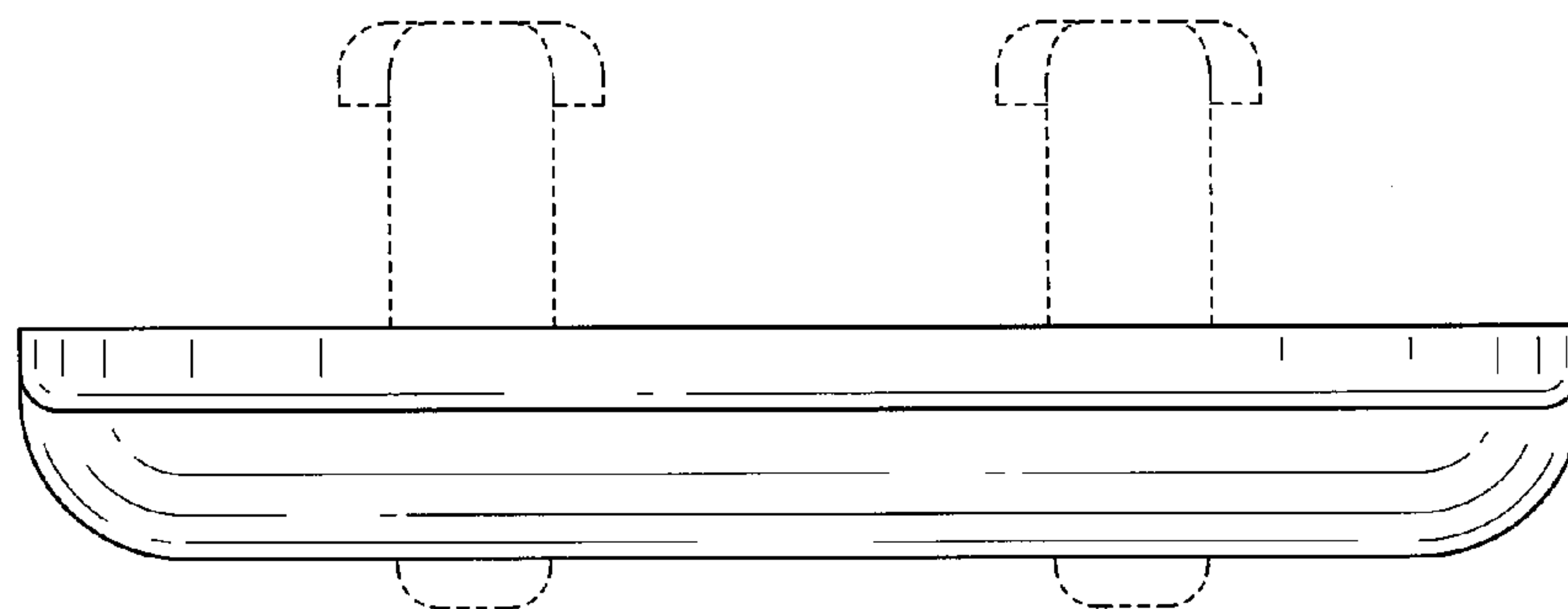


Fig. 7



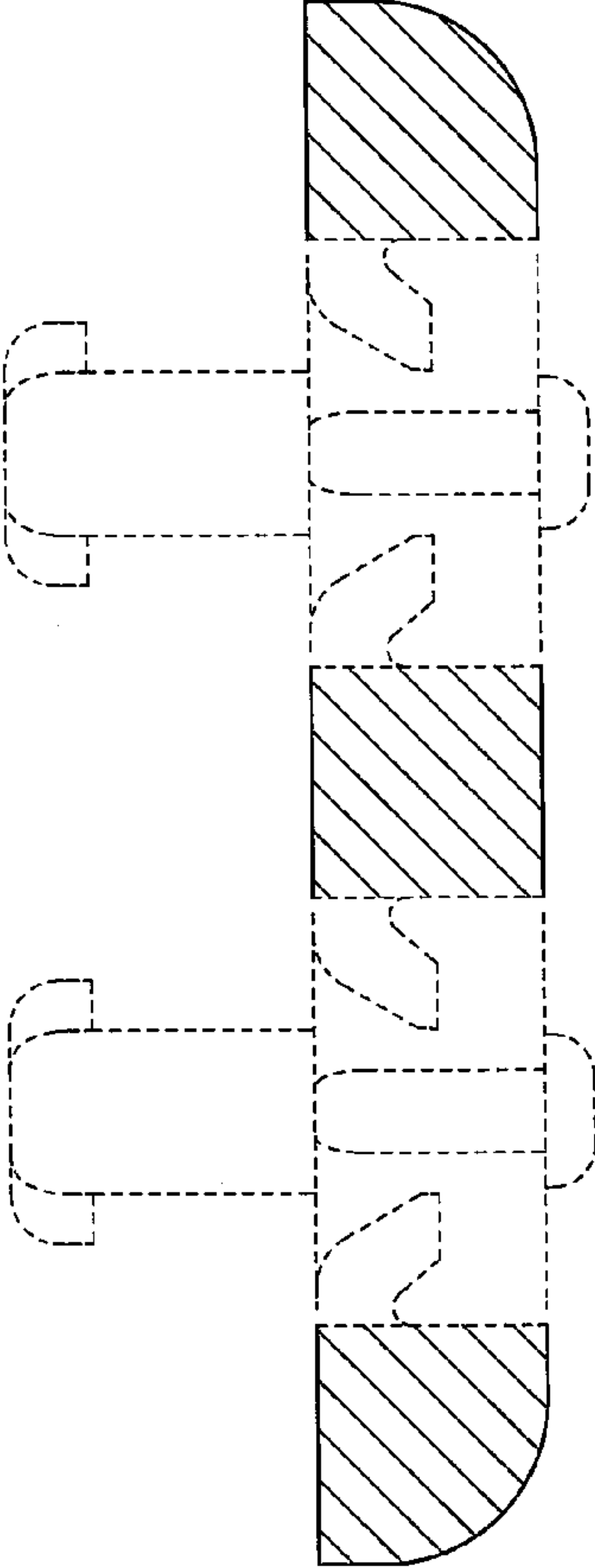


Fig. 8

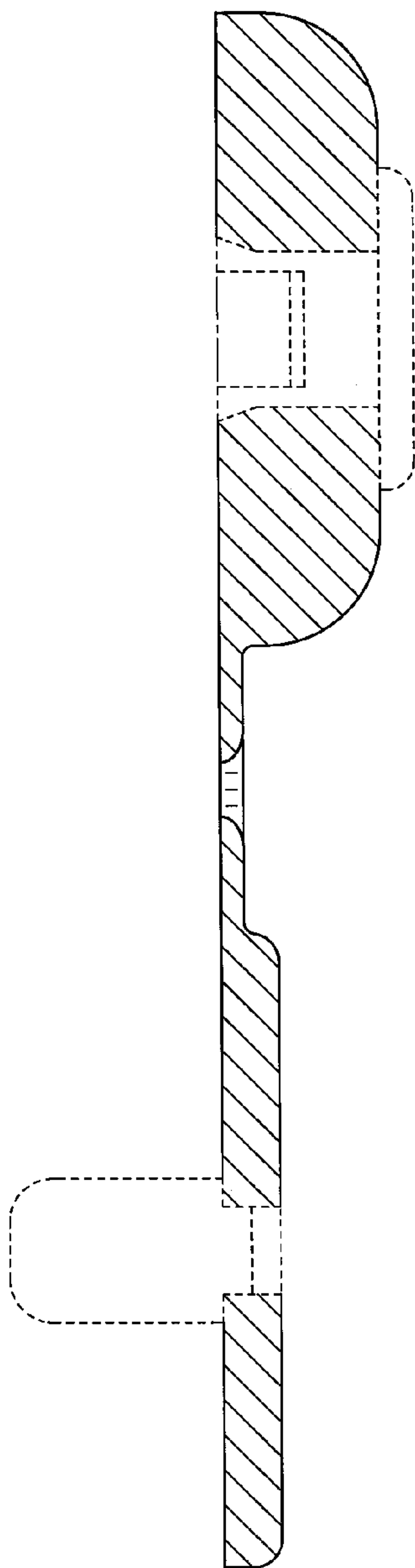


Fig. 9

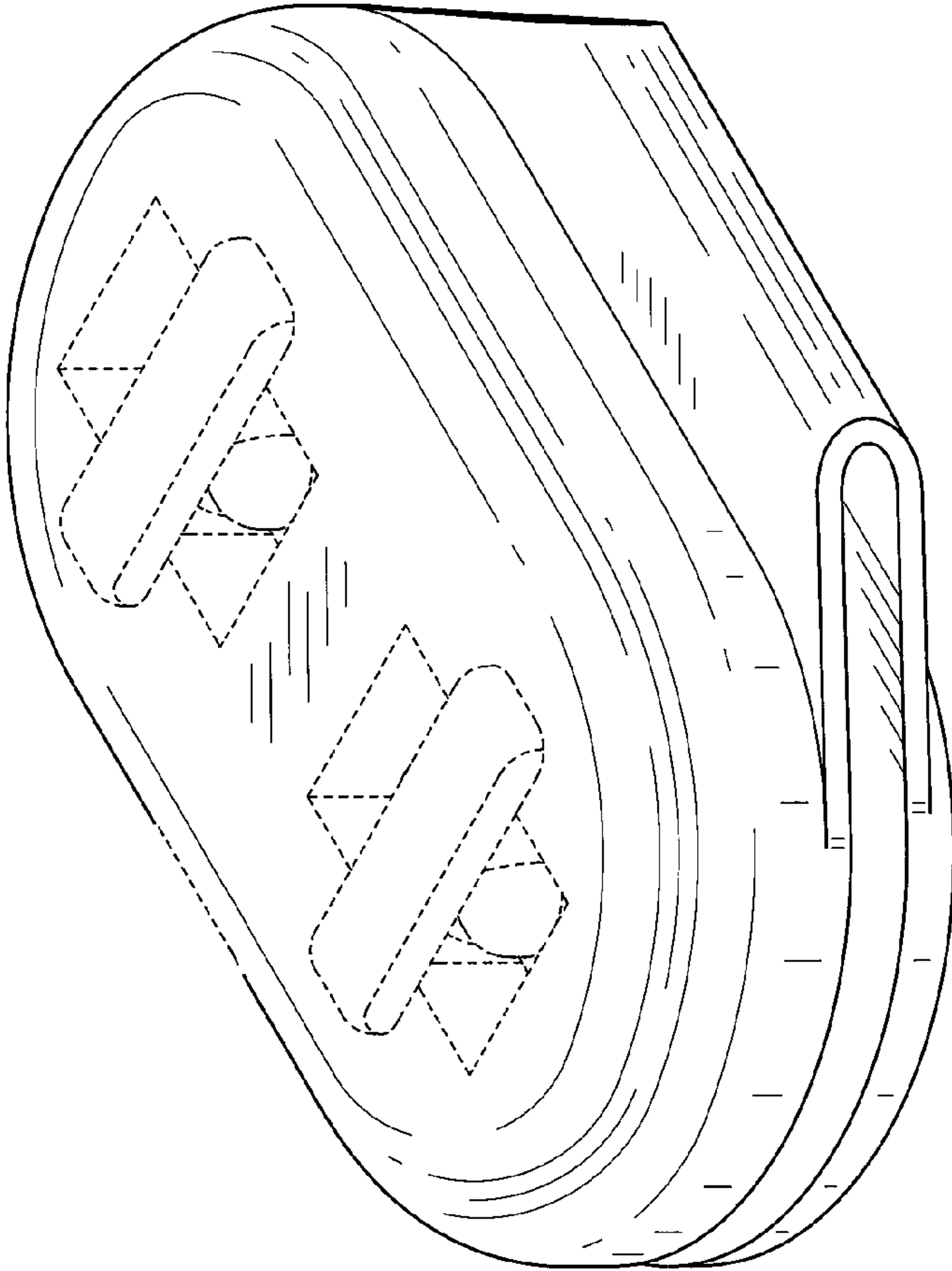


Fig. 10

Fig. 11

