



US00D640592S

(12) **United States Design Patent**
Wanibuchi et al.

(10) **Patent No.:** **US D640,592 S**
(45) **Date of Patent:** **** Jun. 28, 2011**

(54) **CLIP FOR A WRISTBAND**

(75) Inventors: **Hiroshi Wanibuchi**, Matsumoto (JP);
Masaru Tejima, Nagareyama (JP);
Satoshi Koizumi, Shiojiri (JP)

(73) Assignee: **Seiko Epson Corporation**, Tokyo (JP)

(**) Term: **14 Years**

(21) Appl. No.: **29/381,156**

(22) Filed: **Dec. 16, 2010**

(30) **Foreign Application Priority Data**

Jul. 8, 2010 (JP) 2010-016684

(51) **LOC (9) Cl.** **02-07**

(52) **U.S. Cl.** **D11/226**

(58) **Field of Classification Search** D11/5,
D11/200-231; 24/623, 697.2, 688-690,
24/662, 381, 385, 713.8; 63/20; D8/380,
D8/382-383, 356; D24/129, 146

See application file for complete search history.

(56) **References Cited**

U.S. PATENT DOCUMENTS

D383,414 S *	9/1997	McDonough	D11/220
D411,478 S *	6/1999	Kenagy	D11/220
D439,147 S *	3/2001	Kenagy	D8/382
D465,843 S *	11/2002	Guala	D24/129
D519,052 S *	4/2006	Watanabe	D11/5
D529,374 S *	10/2006	Watanabe	D8/395
D584,186 S *	1/2009	Levin	D11/226
D593,680 S *	6/2009	Hafele et al.	D24/143

FOREIGN PATENT DOCUMENTS

JP	1144936	6/2002
JP	1164998	2/2003
JP	1215846	8/2004
JP	1216699	9/2004

* cited by examiner

Primary Examiner — T. Chase Nelson

Assistant Examiner — Mark Cavanna

(57) **CLAIM**

The ornamental design for a clip for a wristband, as shown and described.

DESCRIPTION

FIG. 1 is a top, front and right side perspective view of a clip for a wristband showing our new design;

FIG. 2 is a bottom, rear and left side perspective view thereof;

FIG. 3 is a front view thereof, the rear view being a mirror image of FIG. 3;

FIG. 4 is a top plan view thereof;

FIG. 5 is a bottom plan view thereof;

FIG. 6 is a right side elevational view thereof;

FIG. 7 is a left side elevational view thereof;

FIG. 8 is a cross-sectional view taken along line 8—8 in FIG. 3;

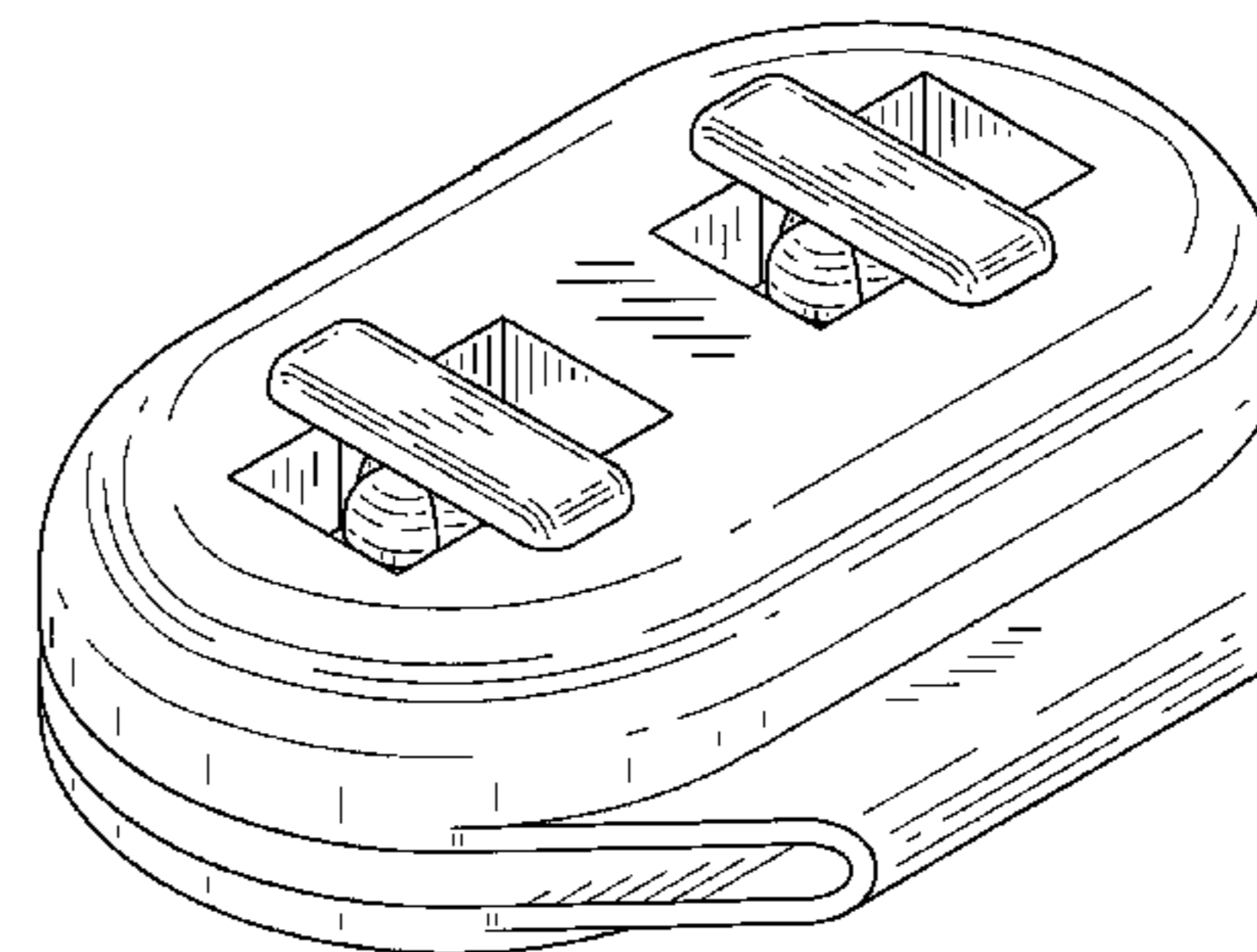
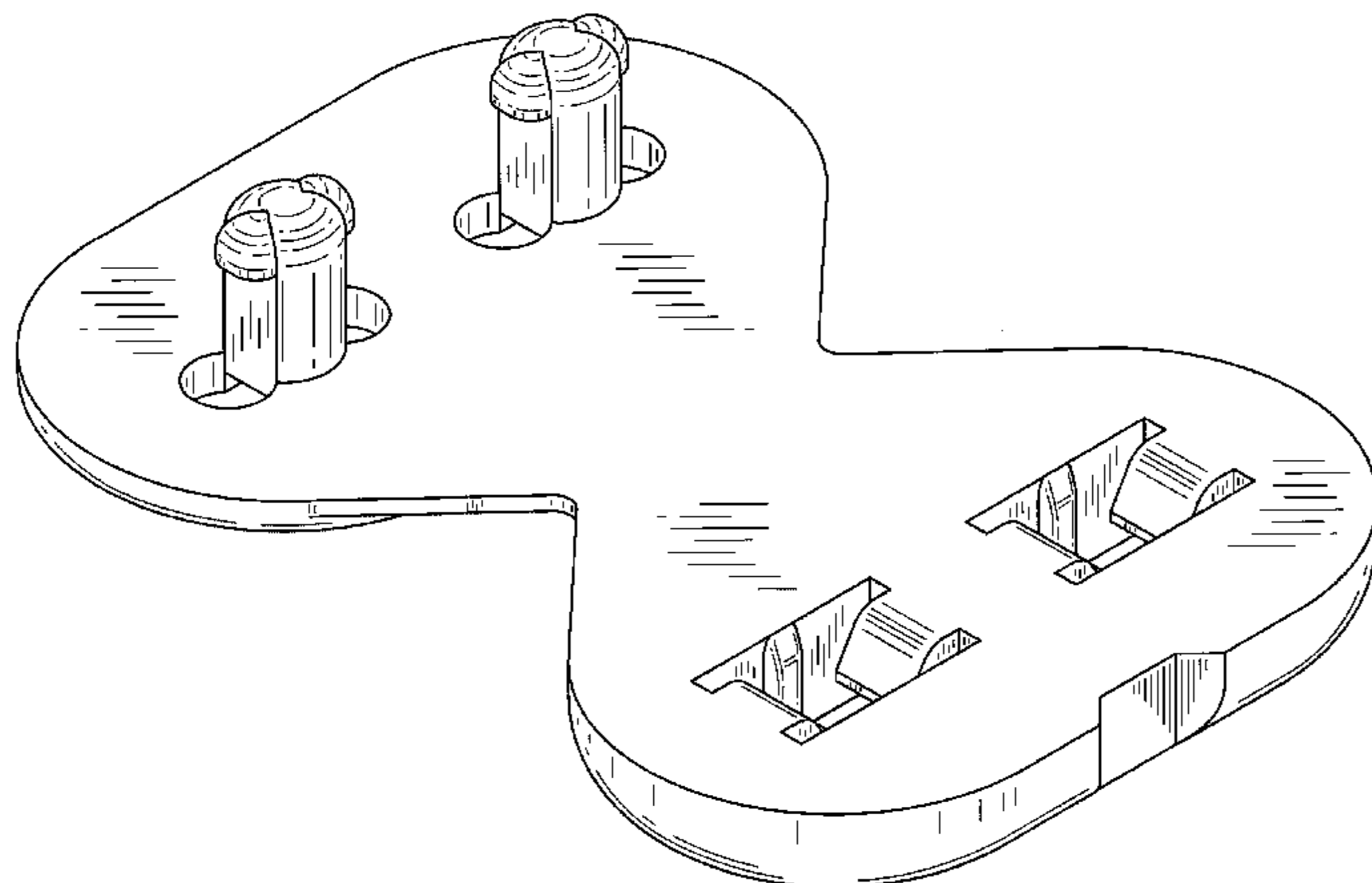
FIG. 9 is a cross-sectional view taken along line 9—9 in FIG. 4;

FIG. 10 is a perspective view showing the article in a closed state; and,

FIG. 11 is a perspective view showing the article attached to a wristband.

The broken lines are included for the purpose of depicting environmental structure that forms no part of the claimed design.

1 Claim, 10 Drawing Sheets



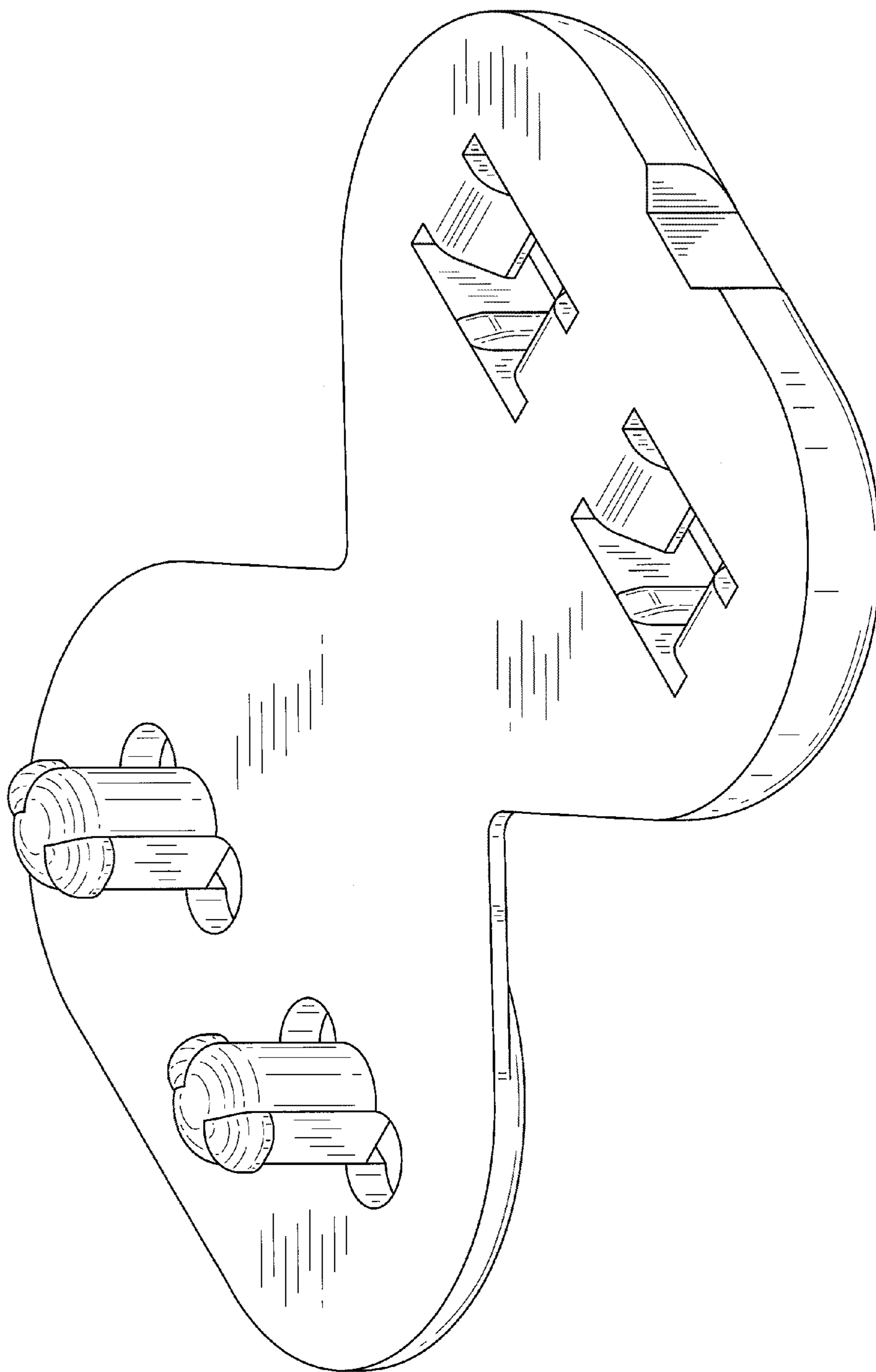


Fig. 1

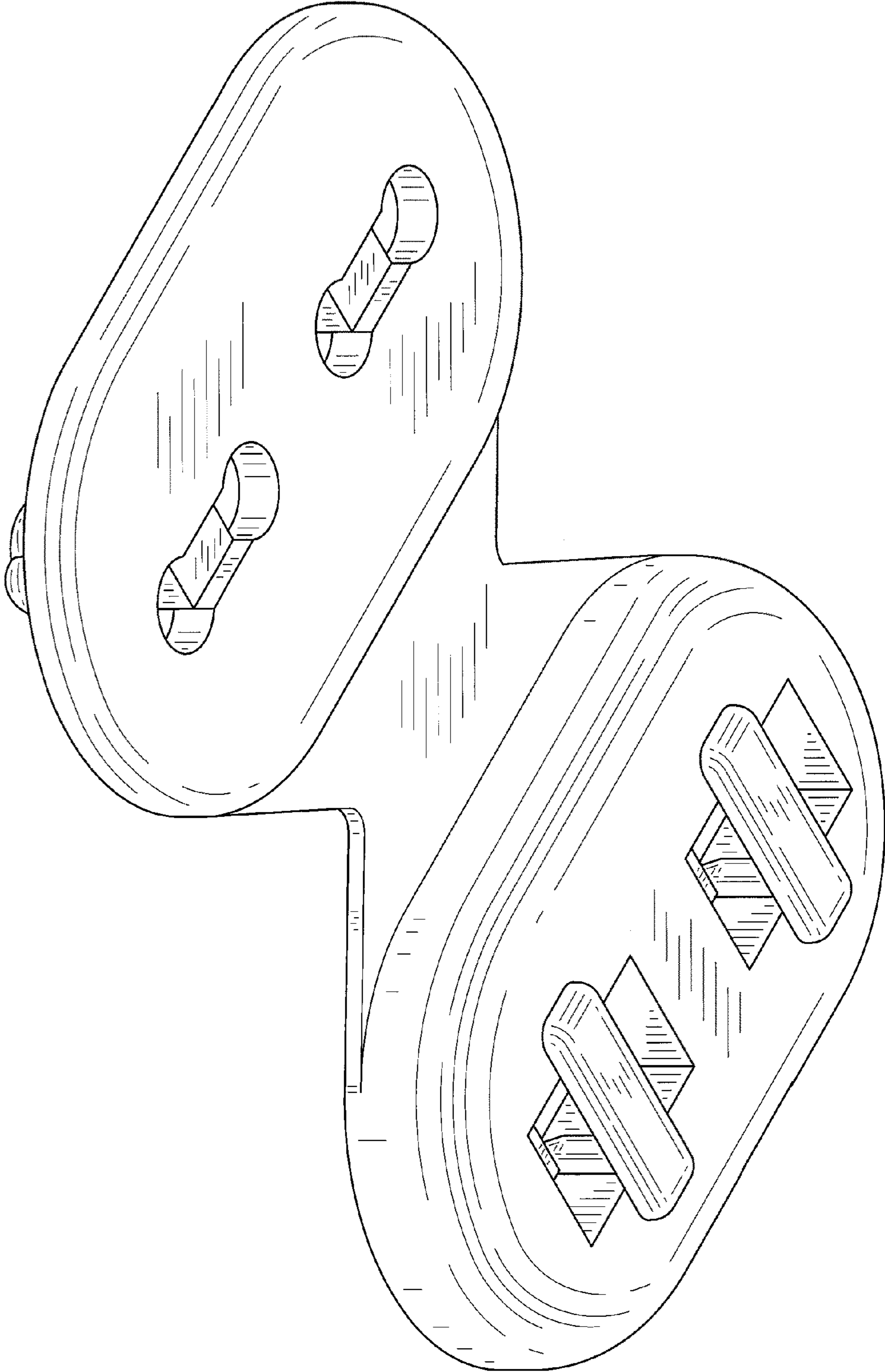


Fig. 2

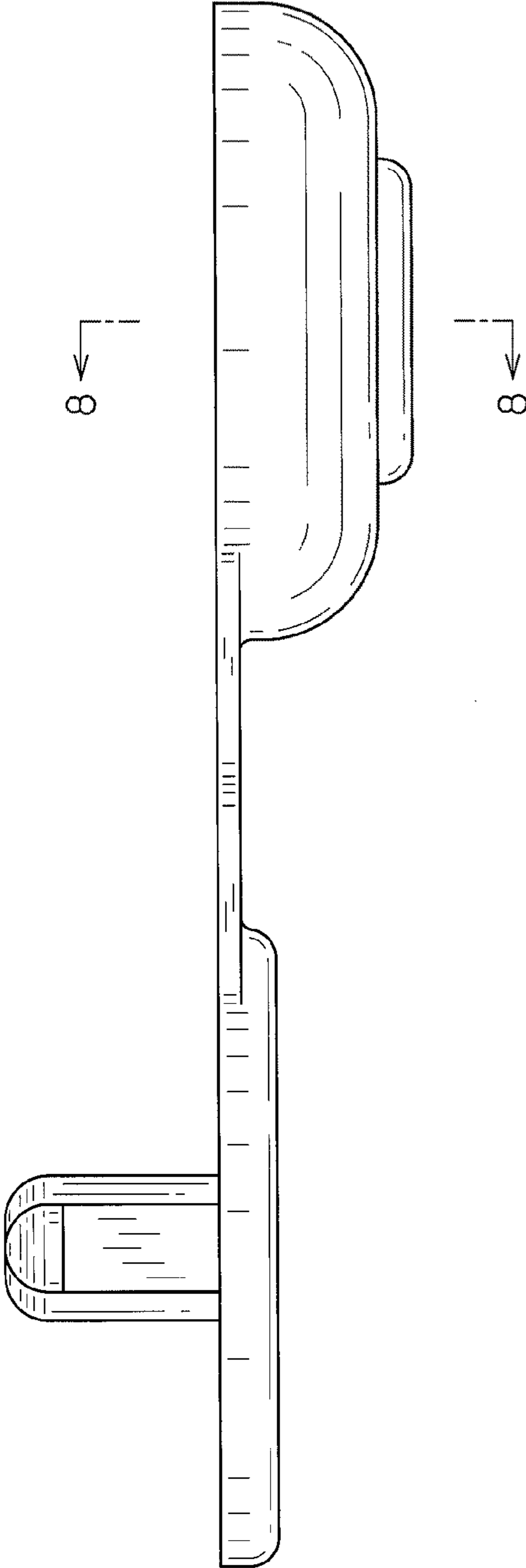


Fig. 3

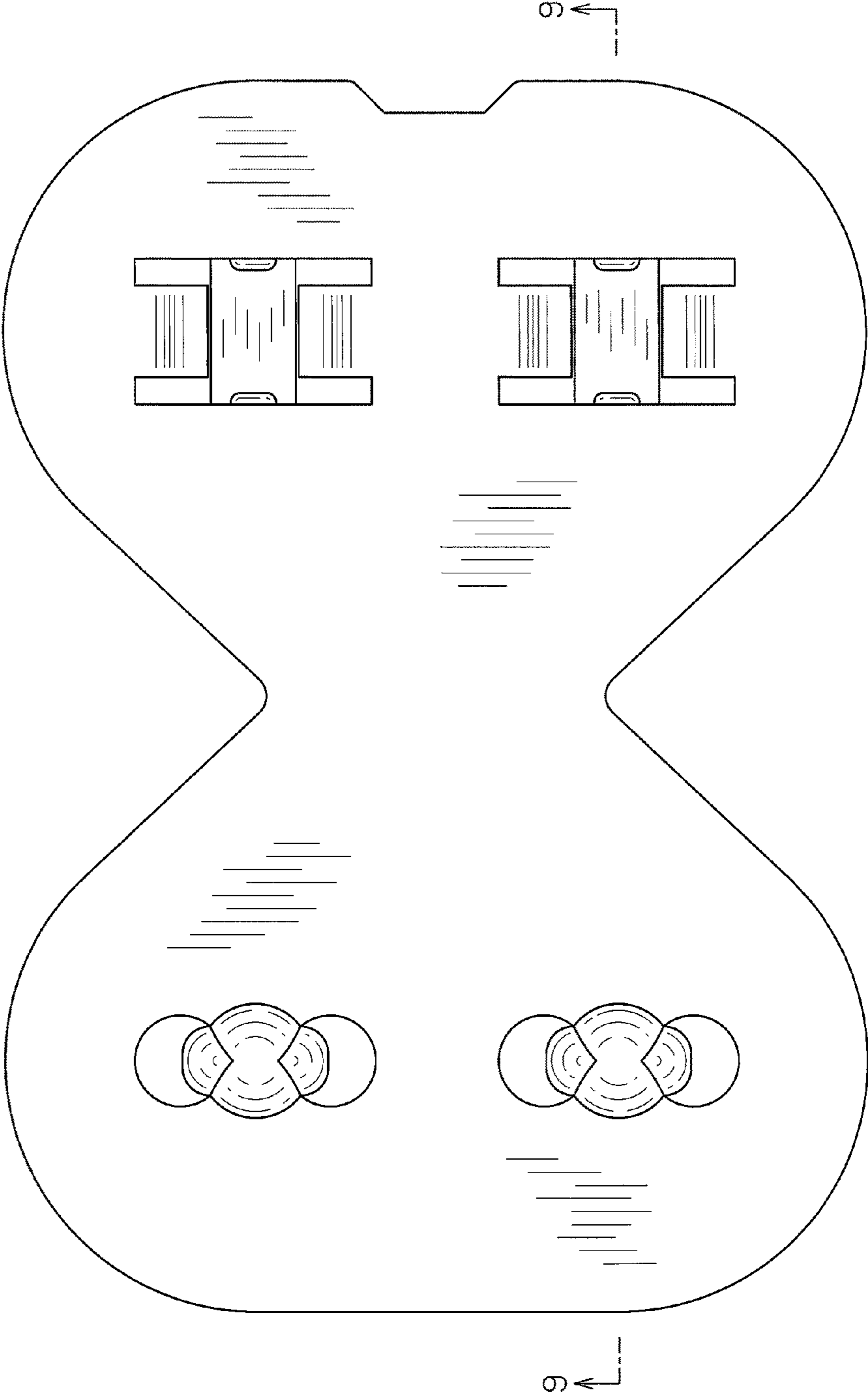


Fig. 4

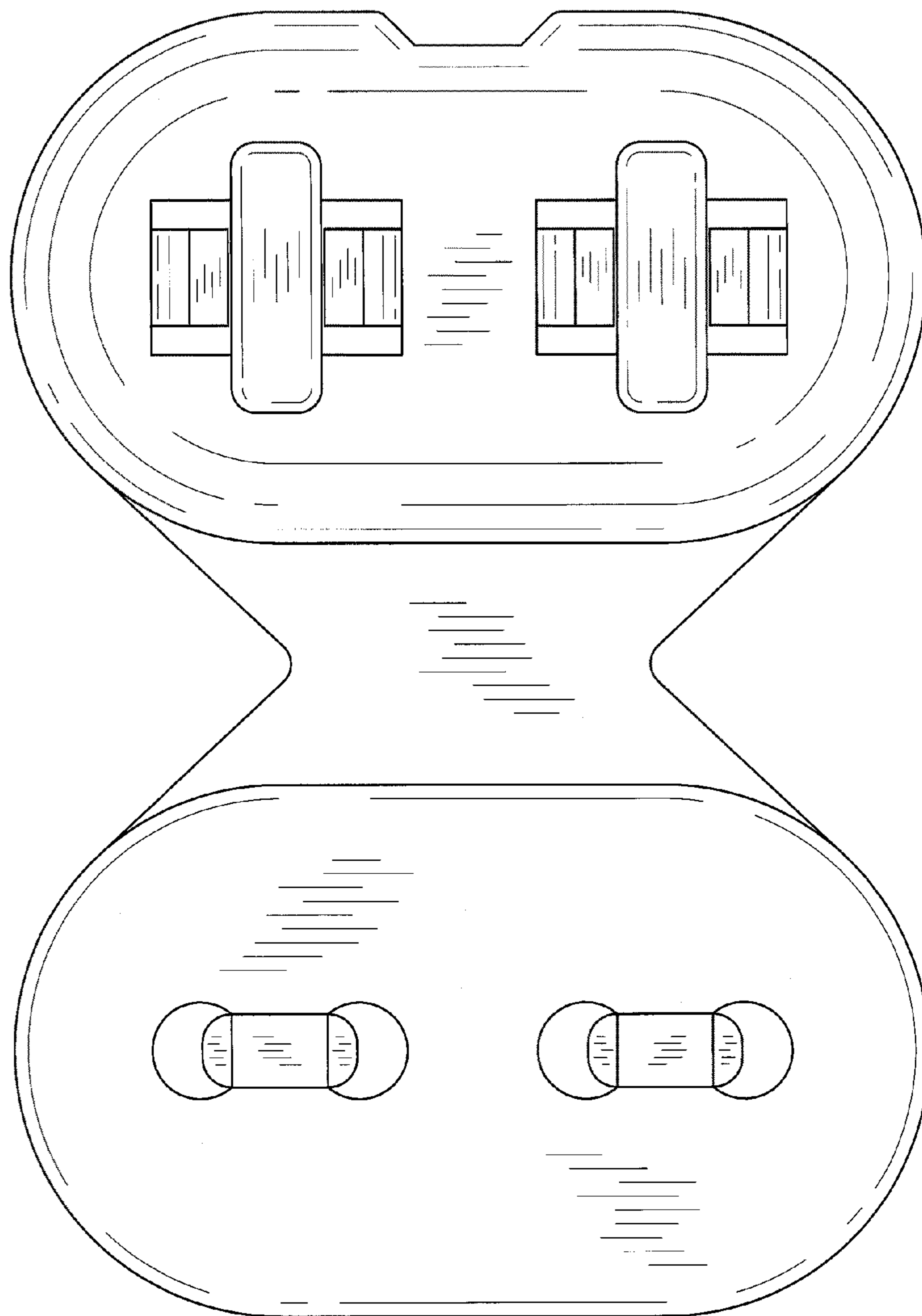


Fig. 5

Fig. 6

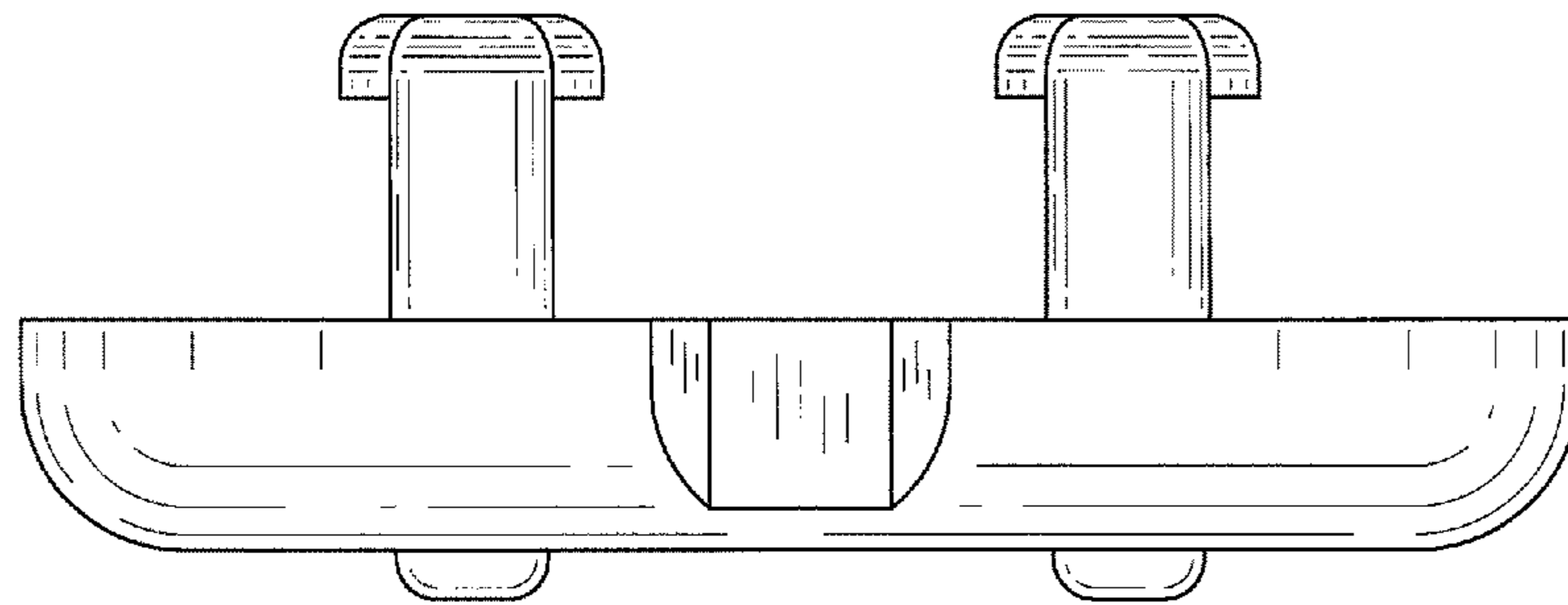
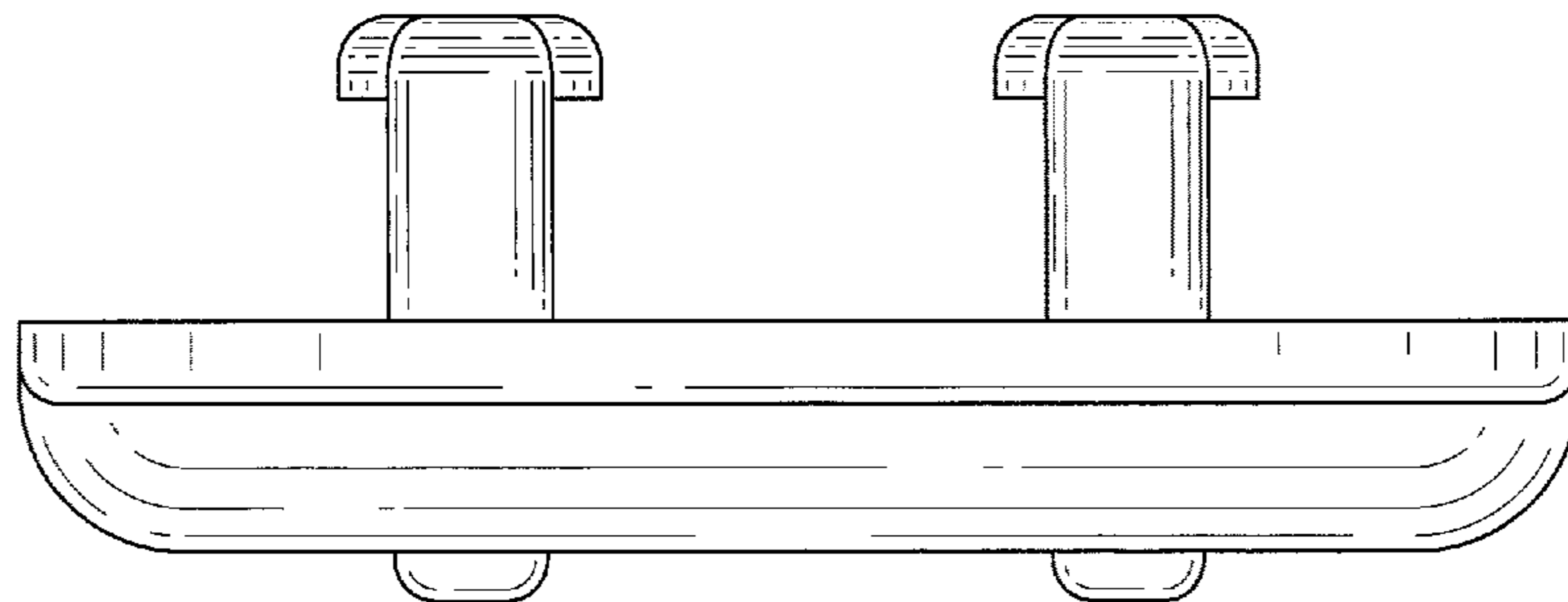


Fig. 7



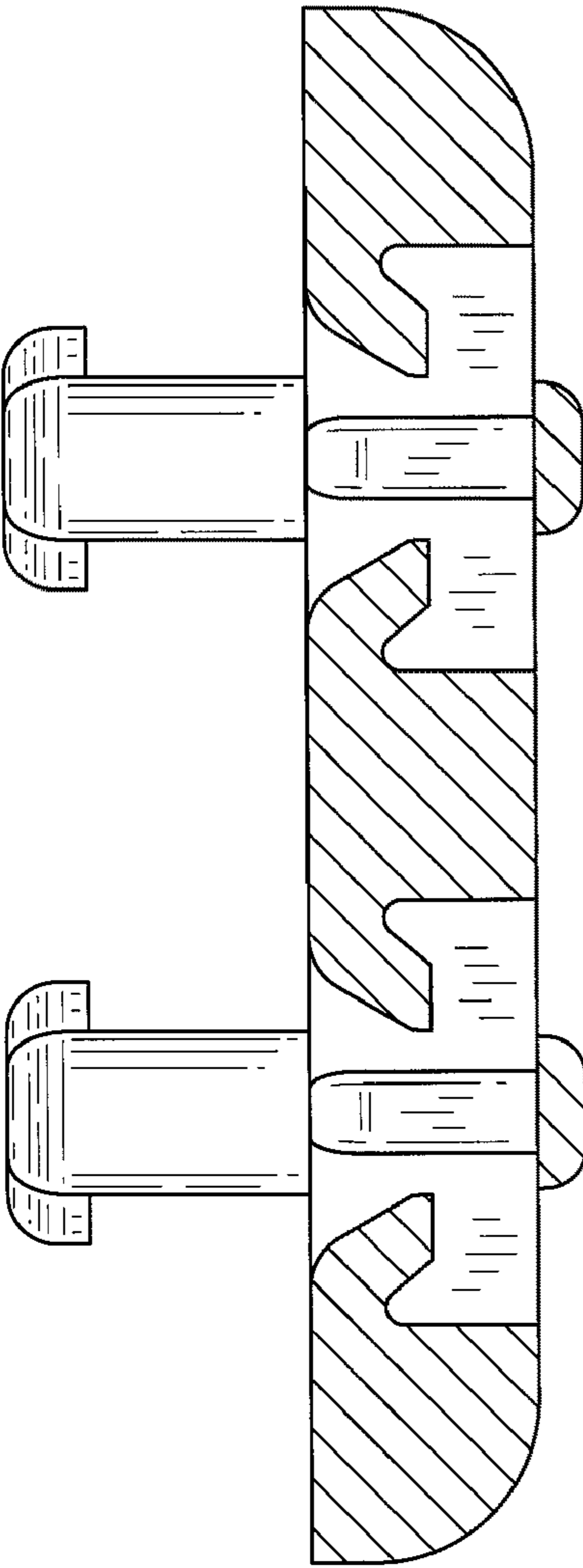


Fig. 8

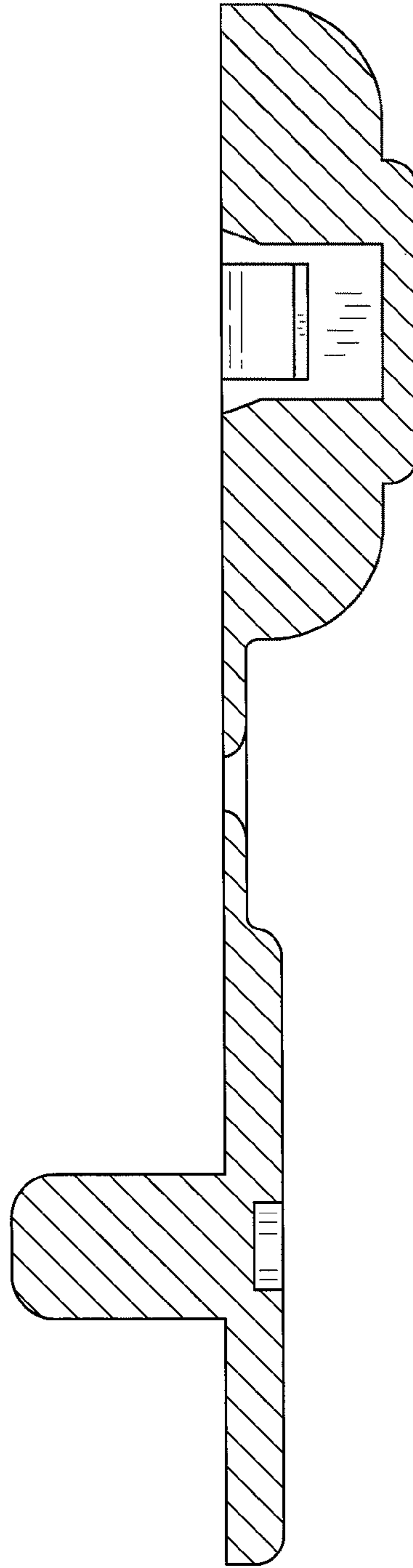


Fig. 9

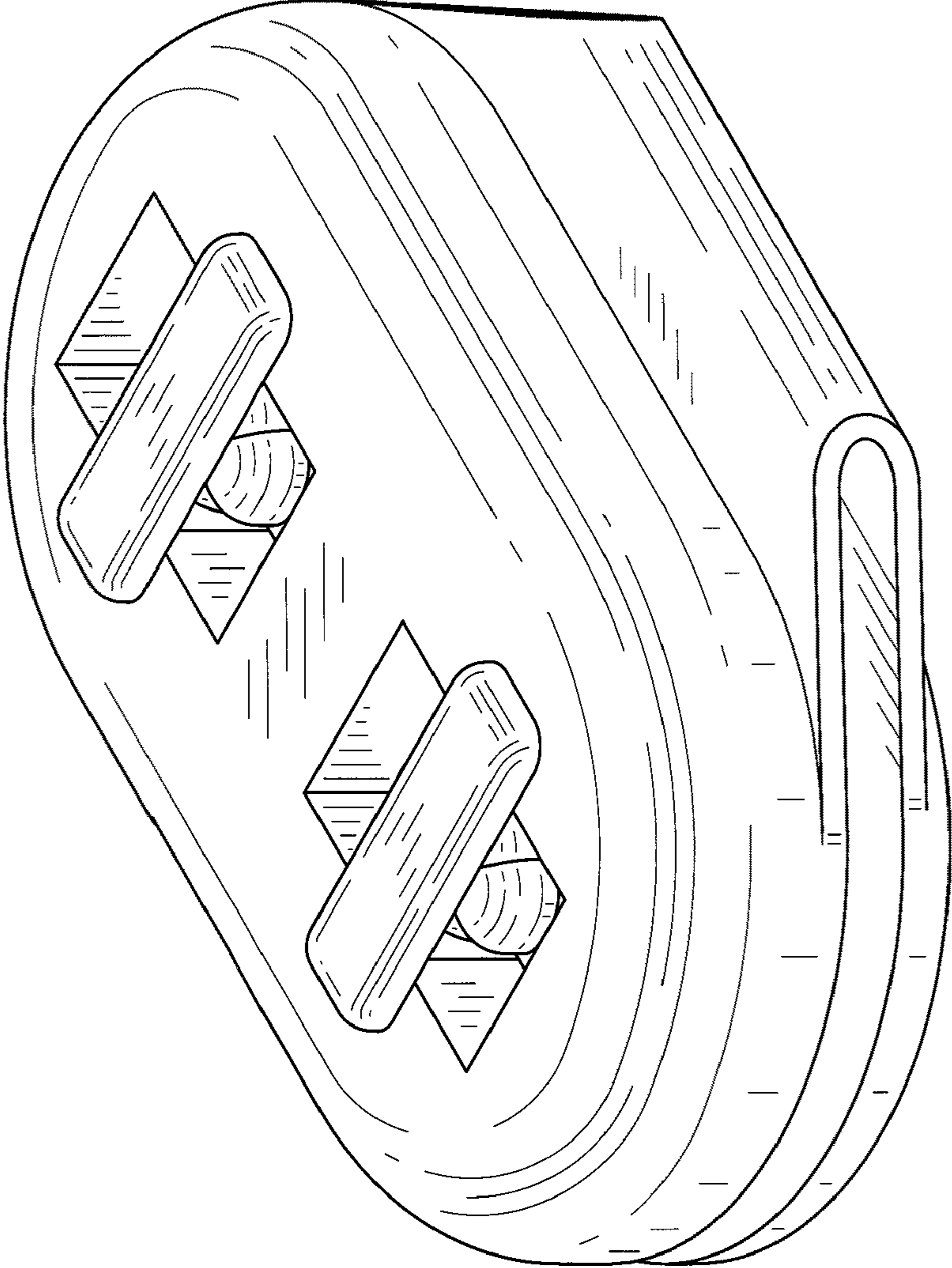


Fig. 10

Fig. 11

