



US00D640588S

(12) **United States Design Patent**
Churilla et al.

(10) **Patent No.:** **US D640,588 S**

(45) **Date of Patent:** **** Jun. 28, 2011**

(54) **SEAT BELT CONNECTOR**

(56) **References Cited**

(75) Inventors: **John Churilla**, Riverside, CA (US);
Ronald John Nathan, Long Beach, CA
(US)

U.S. PATENT DOCUMENTS

D575,669 S * 8/2008 David et al. D11/200
D603,752 S * 11/2009 David D11/216
D607,774 S * 1/2010 David D11/216

* cited by examiner

(73) Assignee: **Pacific Scientific Company**, Duarte, CA
(US)

Primary Examiner — Ralf Seifert
(74) *Attorney, Agent, or Firm* — Ralph D. Chabot

(**) Term: **14 Years**

(57) **CLAIM**
The ornamental design for an seat belt connector, as shown
and described.

(21) Appl. No.: **29/345,619**

DESCRIPTION

(22) Filed: **Oct. 20, 2009**

(51) **LOC (9) Cl.** **02-07**

(52) **U.S. Cl.** **D11/200**

(58) **Field of Classification Search** D11/1-2,
D11/200-201, 206-210, 214-218; 24/163 R,
24/169-171, 173, 177-179, 191, 194-195,
24/197, 200, 614-616, 625

FIG. 1 is a front elevation view;
FIG. 2 is a right side elevation view;
FIG. 3 is a rear elevation view;
FIG. 4 is a left side elevation view;
FIG. 5 is a top plan view;
FIG. 6 is a bottom plan view; and,
FIG. 7 is a top, front, right side perspective view.
The broken lines in FIGS. 2, 4, 5 and 7 are included for the
purpose of illustrating portions of the seat belt connector that
form no part of the claimed design.

See application file for complete search history.

1 Claim, 3 Drawing Sheets

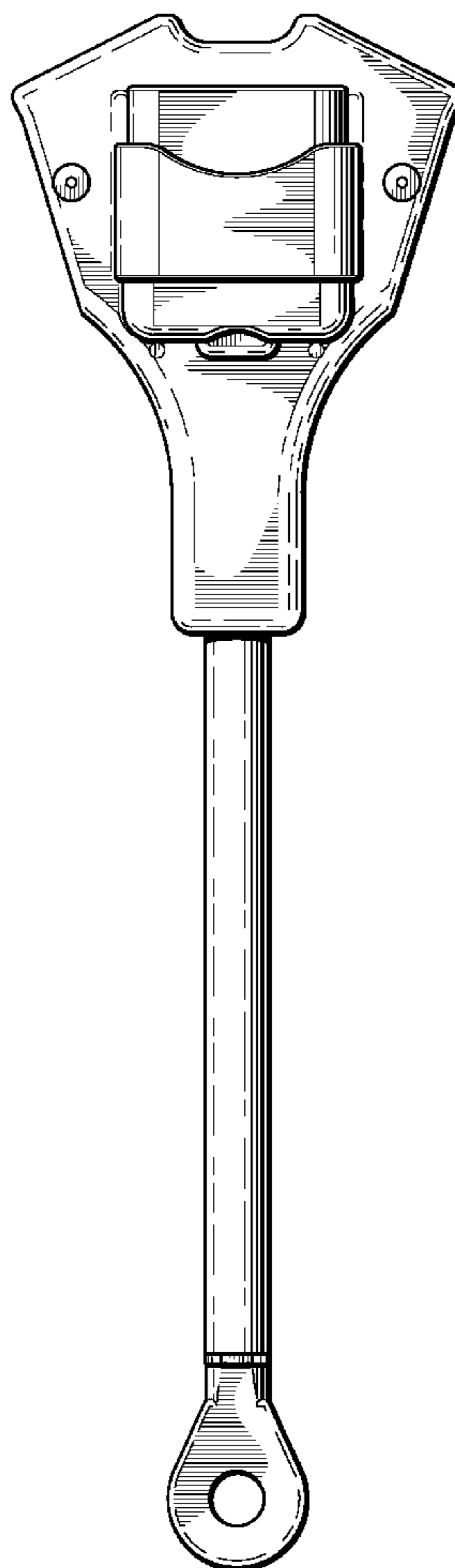


FIG. 1

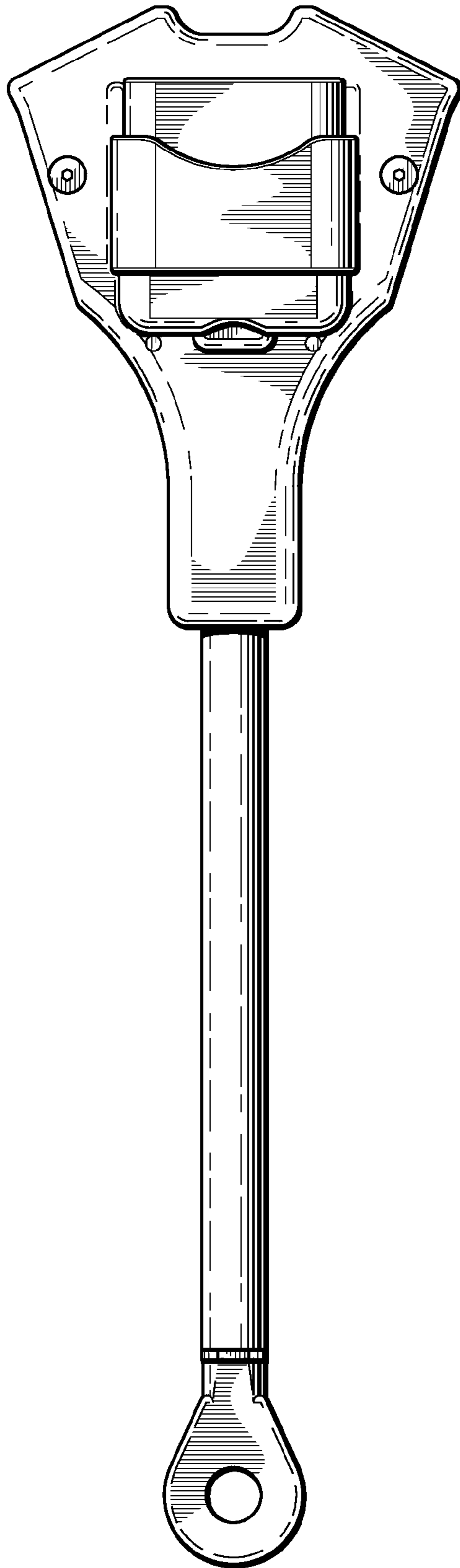


FIG. 2

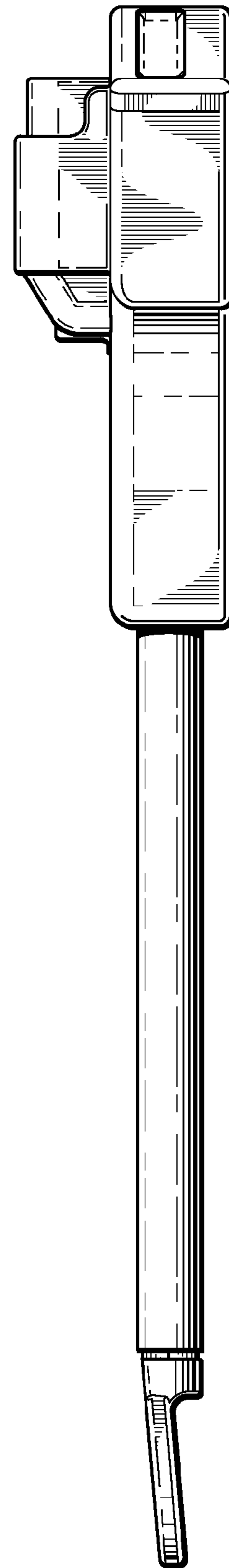


FIG. 3

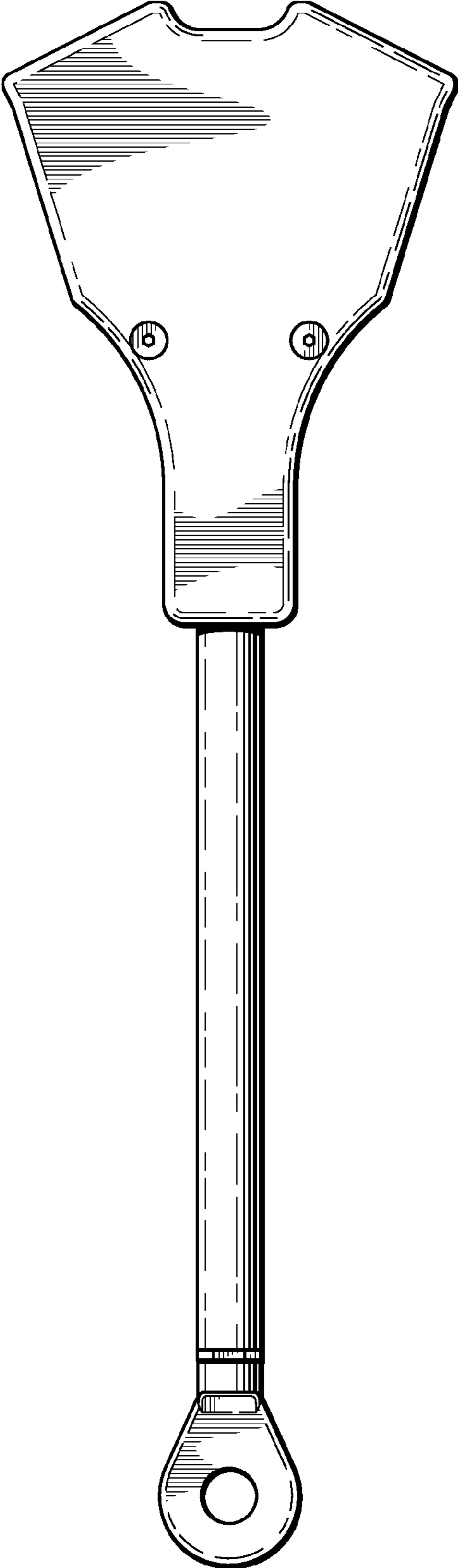


FIG. 4

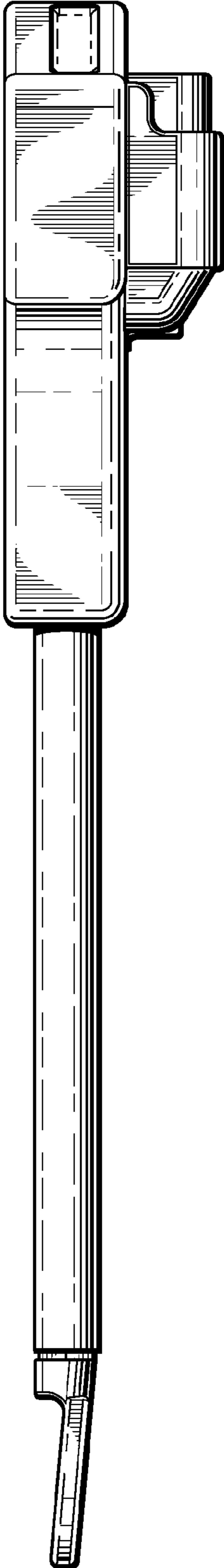


FIG. 5

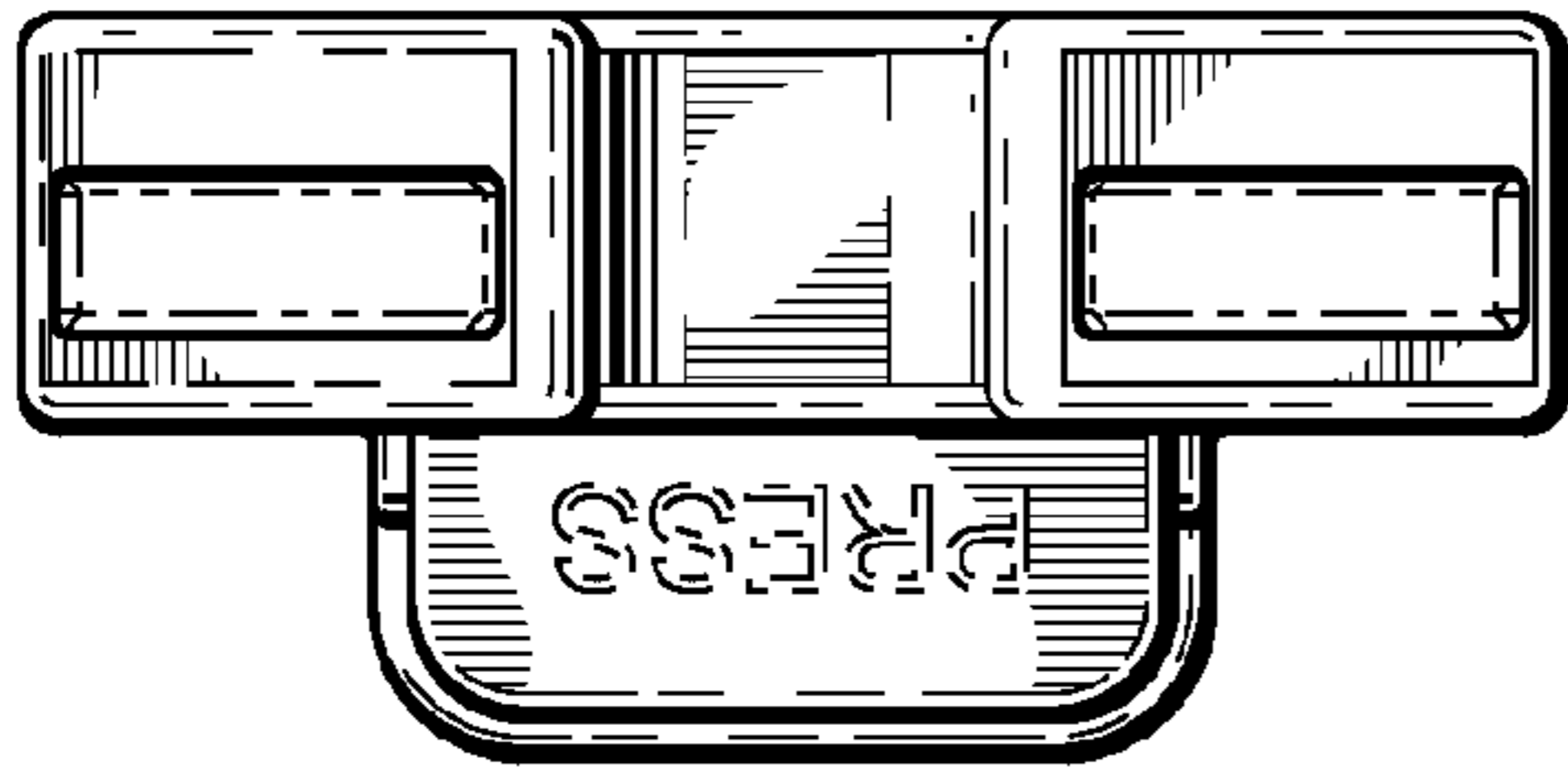


FIG. 6

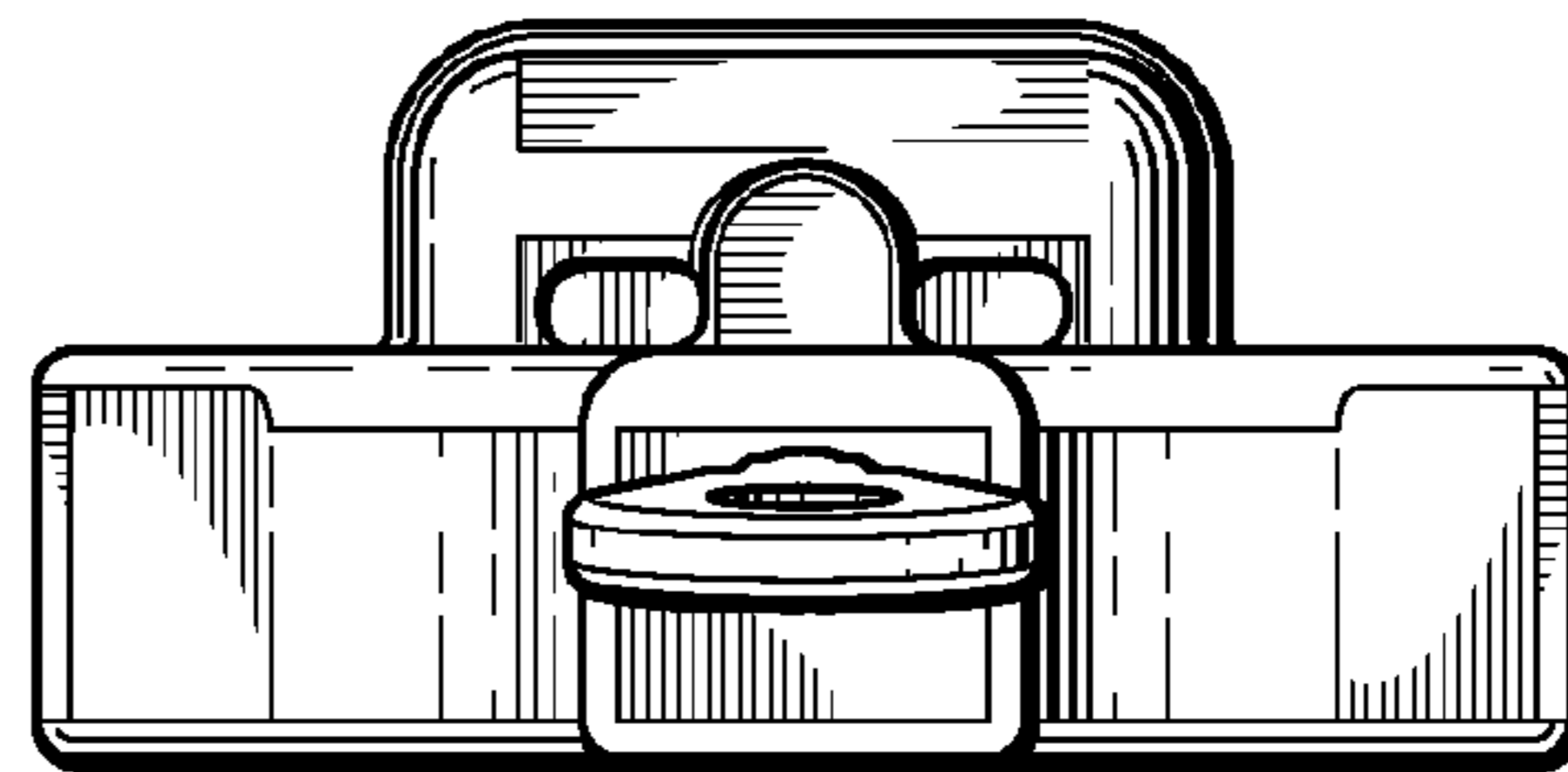


FIG. 7

