



US00D640587S

(12) **United States Design Patent**
Tanaka

(10) **Patent No.:** **US D640,587 S**
(45) **Date of Patent:** **** Jun. 28, 2011**

(54) **CASE FOR HOLDING DECORATIVE ARTICLE**

(75) Inventor: **Yasuo Tanaka**, Tokyo (JP)

(73) Assignee: **Suntory Holdings Limited**, Osaka (JP)

(**) Term: **14 Years**

(21) Appl. No.: **29/361,154**

(22) Filed: **May 6, 2010**

(30) **Foreign Application Priority Data**

Nov. 10, 2009 (JP) 2009-026247

(51) **LOC (9) Cl.** **11-02**

(52) **U.S. Cl.** **D11/155; D6/556**

(58) **Field of Classification Search** D6/403-405,
D6/556-558; D8/1; D11/143-156, 164;
D19/77, 80, 81, 84; D25/100; D26/9-11,
D26/16, 19; D34/1, 2, 4-6; D99/5, 19; 47/17,
47/32.4, 32.5, 32.7, 33, 39, 41.01, 41.1, 41.11-41.15,
47/44-47, 65, 65.5, 65.9, 66.1, 66.2, 66.6,
47/66.7, 67-71

See application file for complete search history.

(56) **References Cited**

U.S. PATENT DOCUMENTS

2,830,405 A * 4/1958 Nydegger D11/155
D320,952 S * 10/1991 Lang D11/145
D332,161 S * 12/1992 Wenzel et al. D34/5
D357,210 S * 4/1995 Tomlinson et al. D11/156
D371,088 S * 6/1996 Vollick D11/145
D484,662 S * 12/2003 Fuller D34/6
D624,335 S * 9/2010 Lutz et al. D6/403

D630,123 S * 1/2011 Ott D11/144
2007/0084107 A1 * 4/2007 Ganti 47/39
2009/0293351 A1 * 12/2009 De Pagter et al. 47/41.12

* cited by examiner

Primary Examiner — Garth Rademaker

(74) *Attorney, Agent, or Firm* — Greenblum & Bernstein P.L.C.

(57) **CLAIM**

The ornamental design for a case for holding decorative article, as shown and described.

DESCRIPTION

FIG. 1 is a front elevation view of a case for holding decorative article showing my new design;

FIG. 2 is a rear elevation view thereof;

FIG. 3 is a right side elevation view thereof, the left side elevation view being a mirror image thereof;

FIG. 4 is a top plan view thereof;

FIG. 5 is a bottom plan view thereof;

FIG. 6 is a perspective view thereof;

FIG. 7 is a cross-sectional view thereof, taken on line 7-7 of FIG. 1;

FIG. 8 is a top plan view thereof, not showing the lid portion thereof in order to more clearly show the interior; and,

FIG. 9 is a right side elevation view thereof, shown in an environment of use.

The broken lines shown in FIG. 9 depict environmental subject matter only and form no part of the claimed design.

The case for holding decorative article is for use indoors or outdoors, placed on a floor surface or hung on a wall surface, with a decorative article such as a plant or an artificial flower being appended thereto.

1 Claim, 9 Drawing Sheets

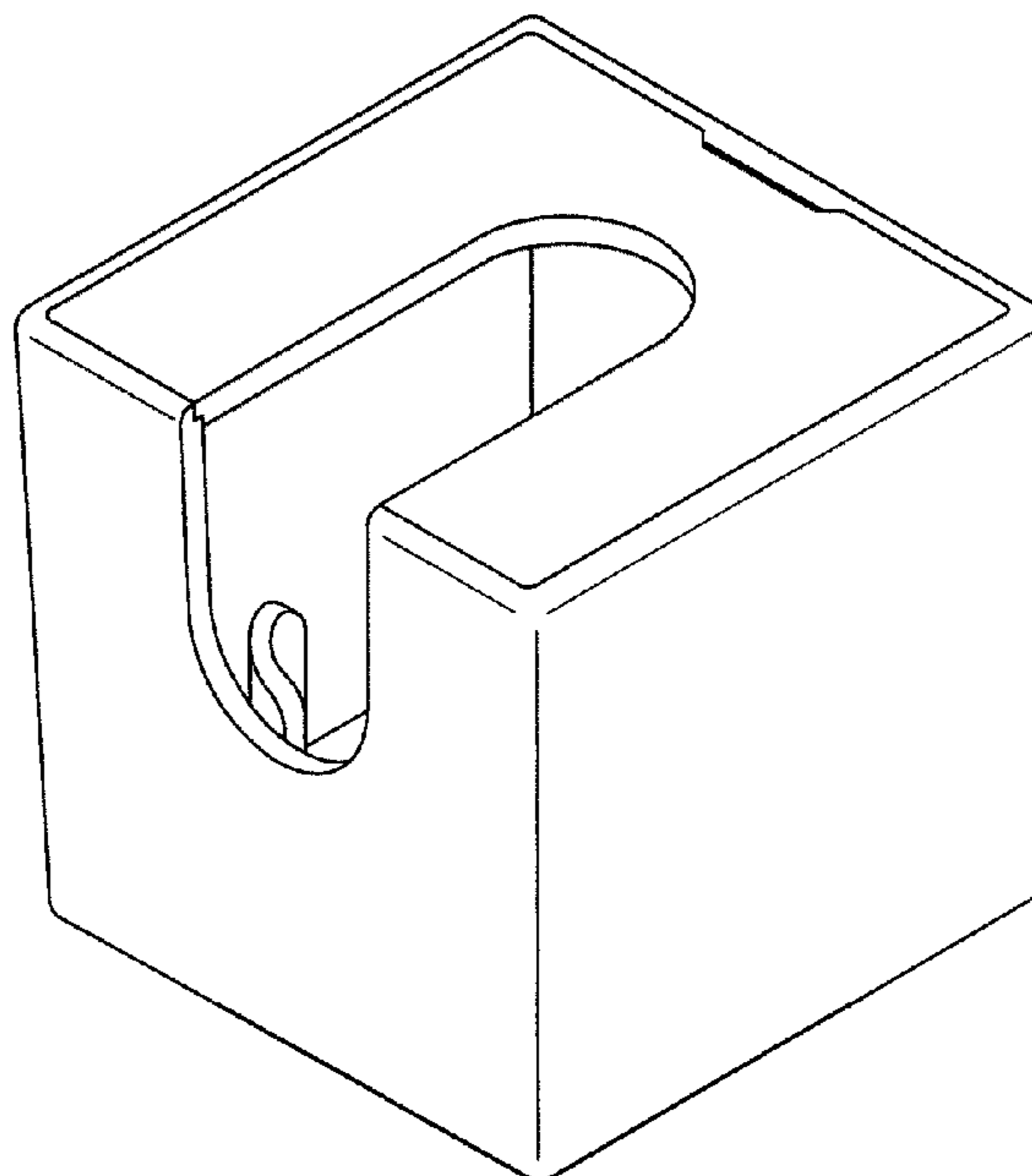
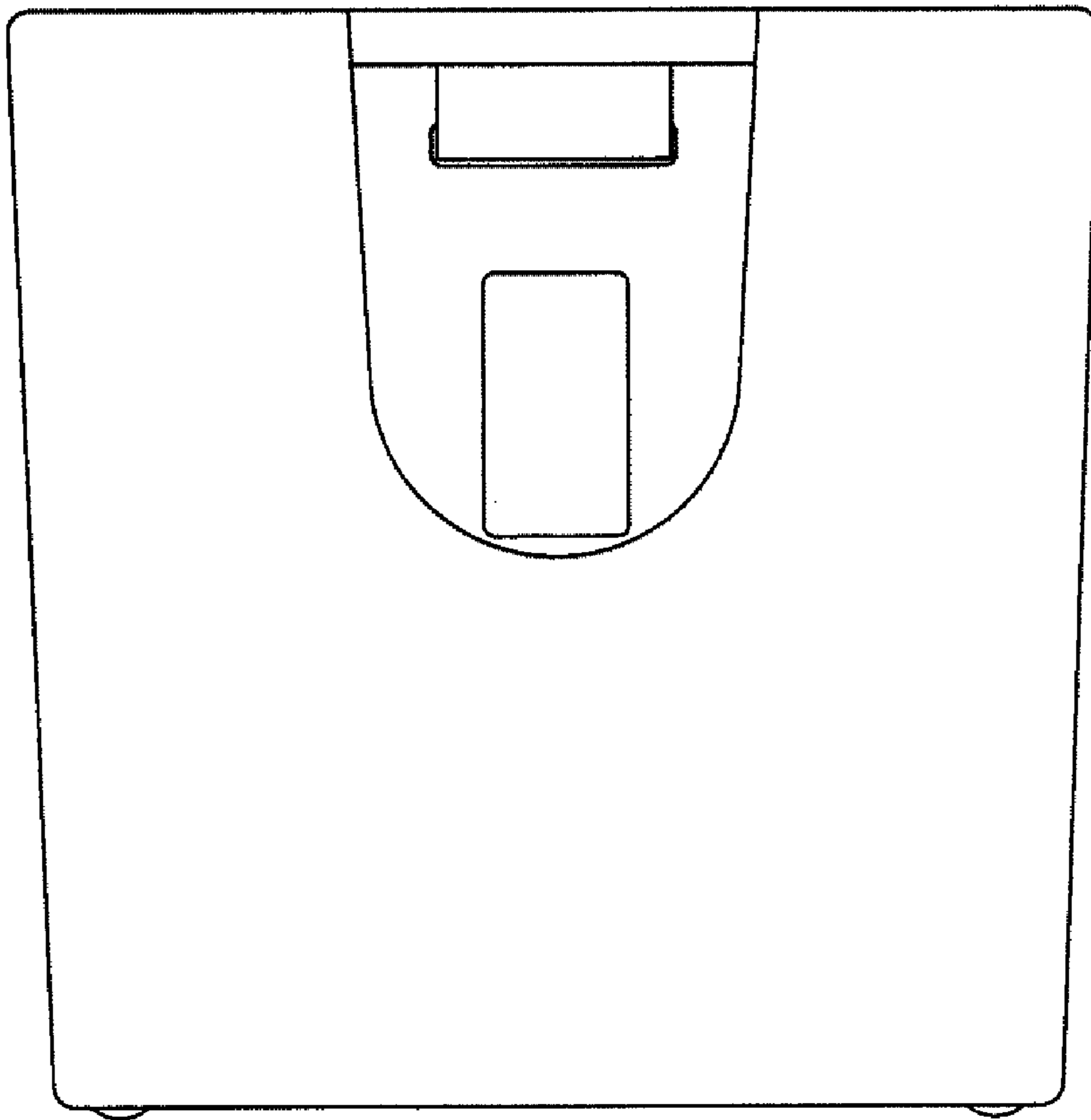


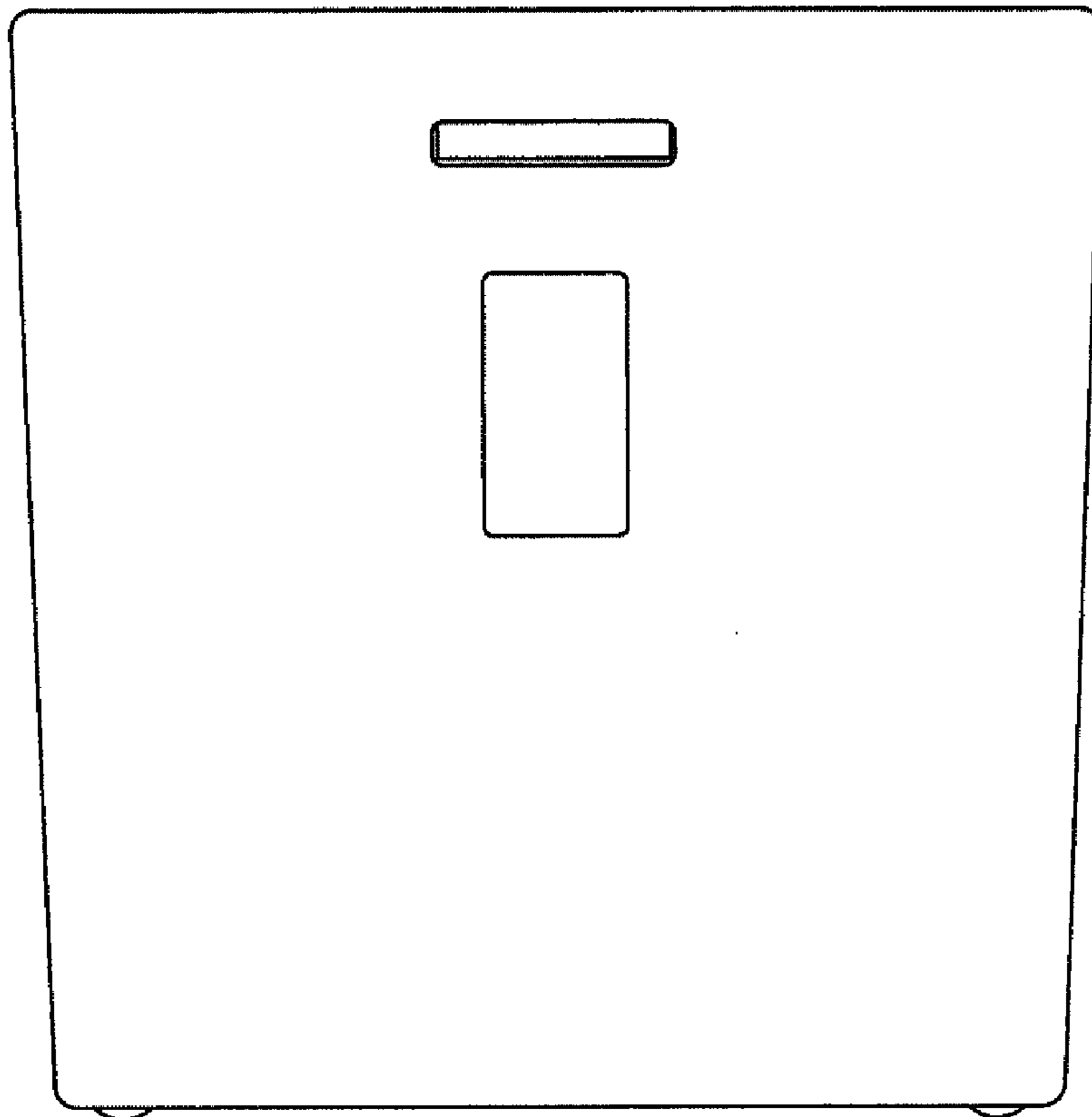
Fig. 1

7 ←

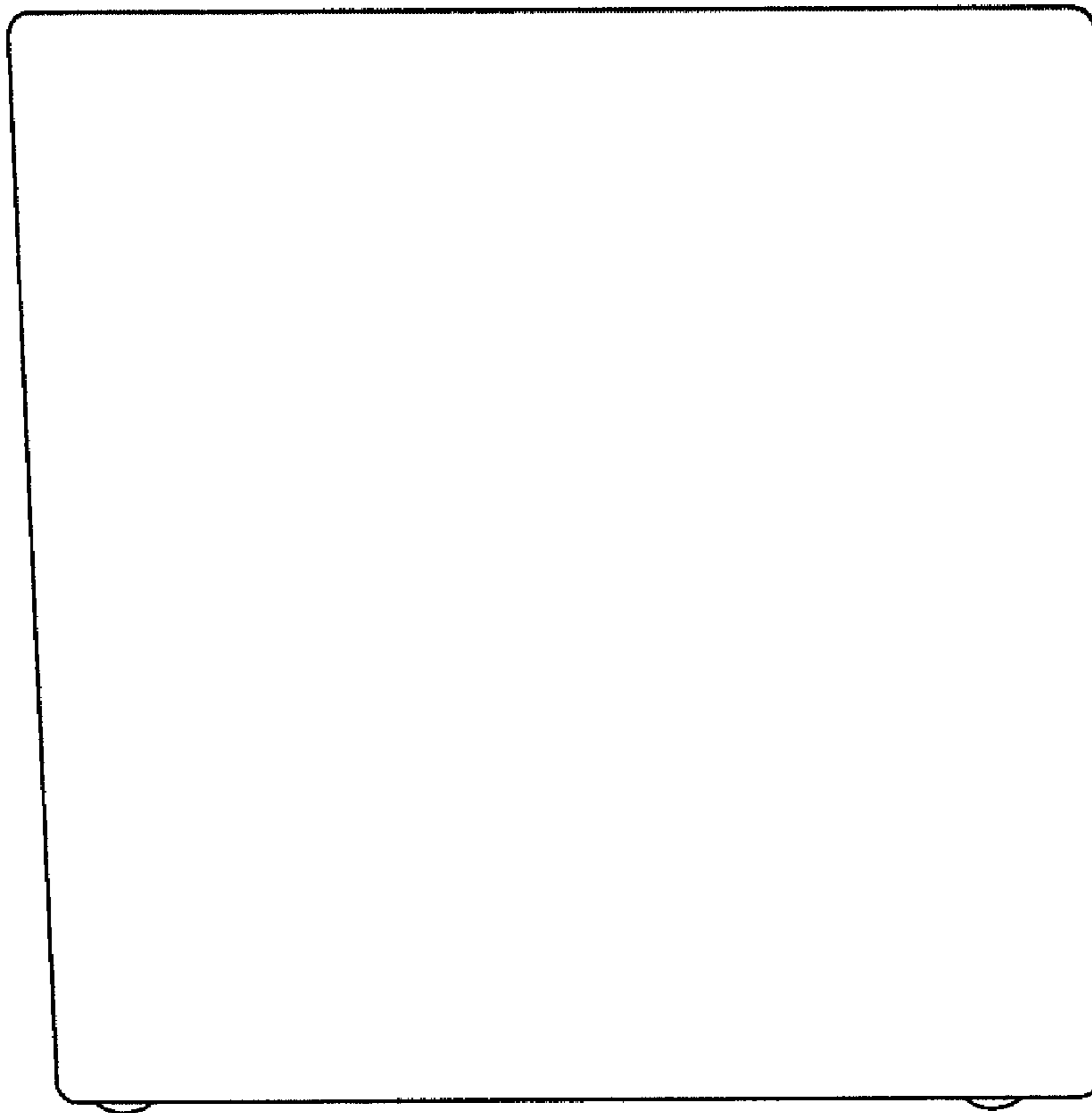


7 ←

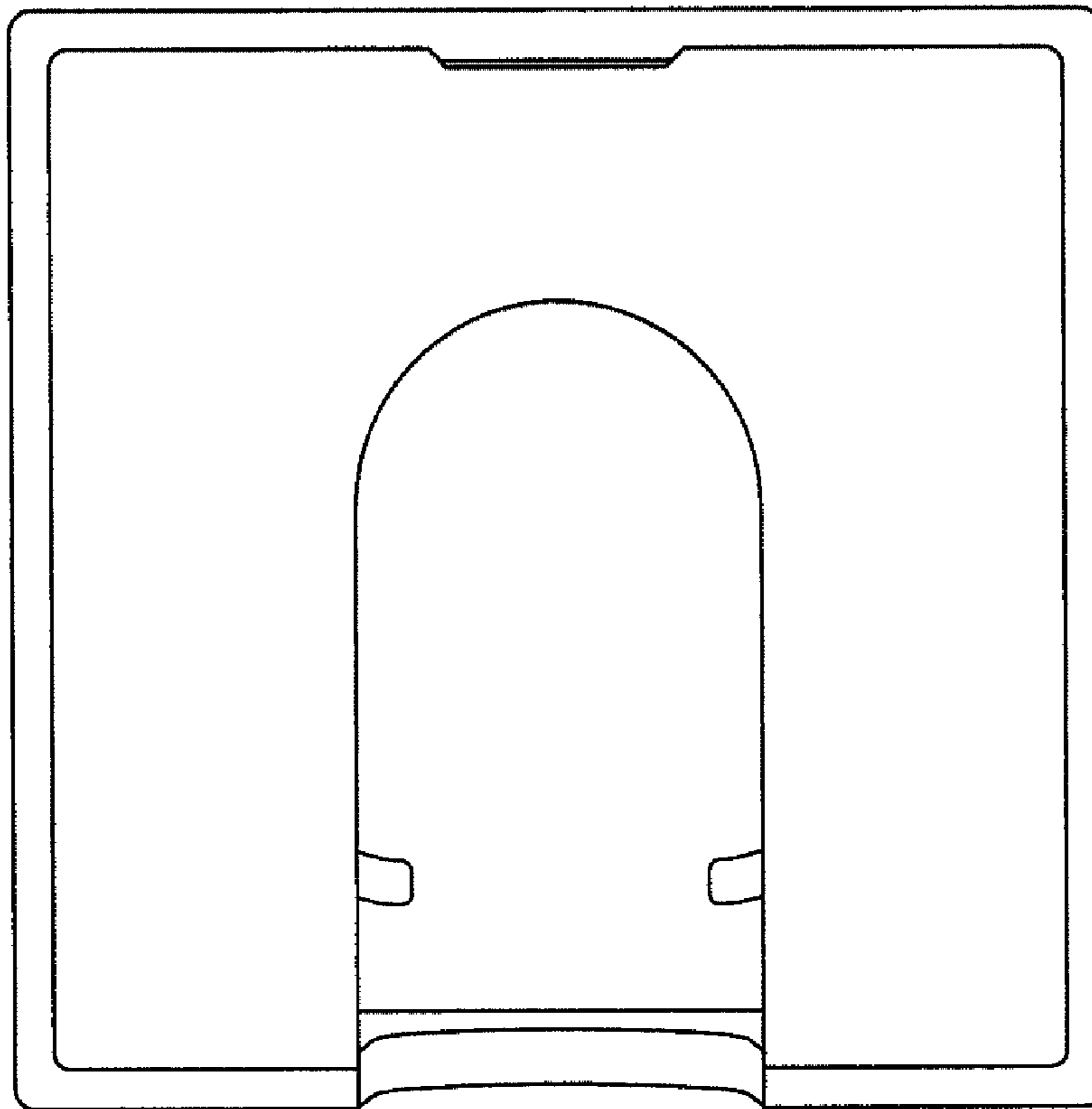
F i g . 2



F i g . 3



F i g . 4



F i g . 5

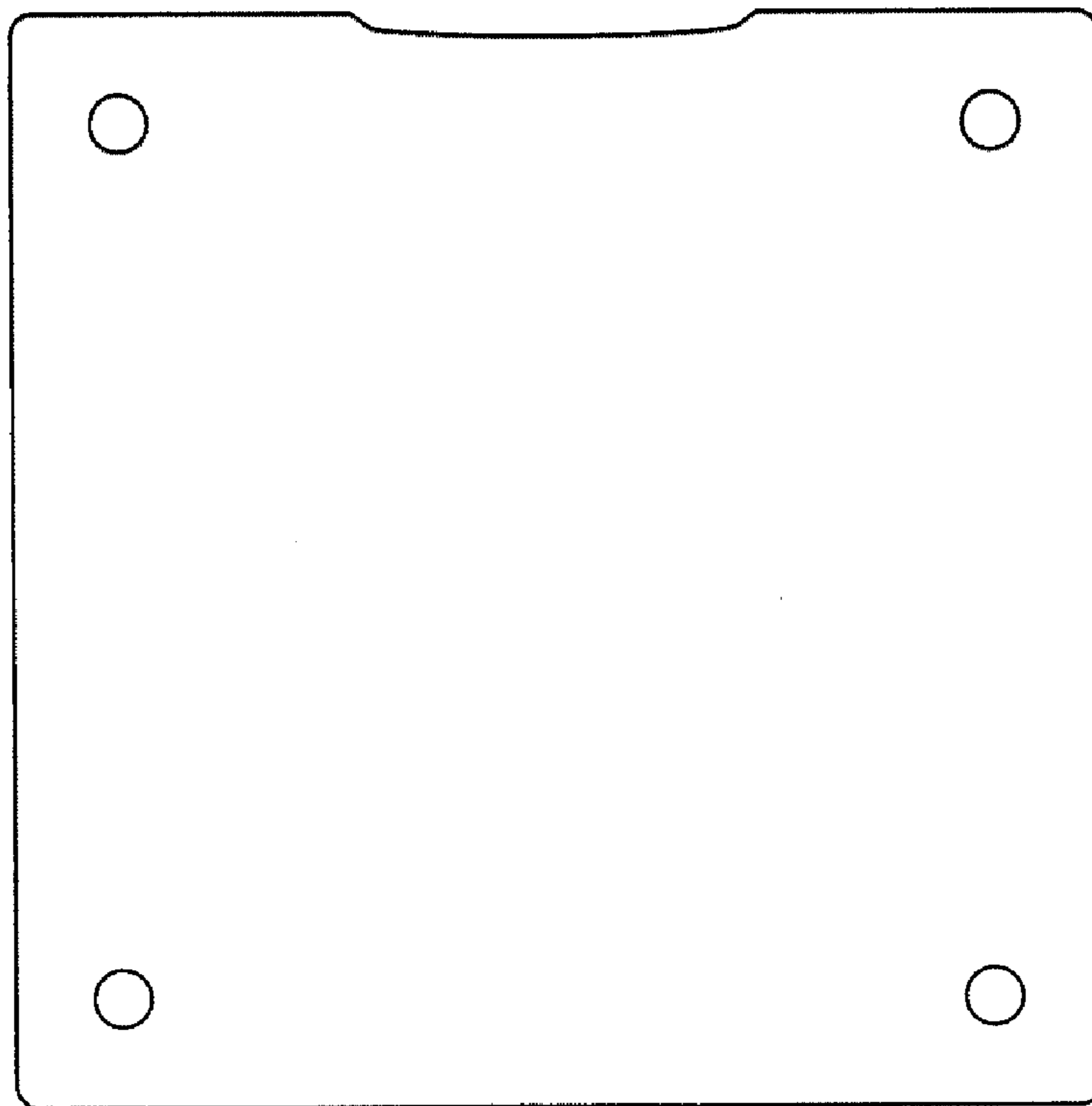
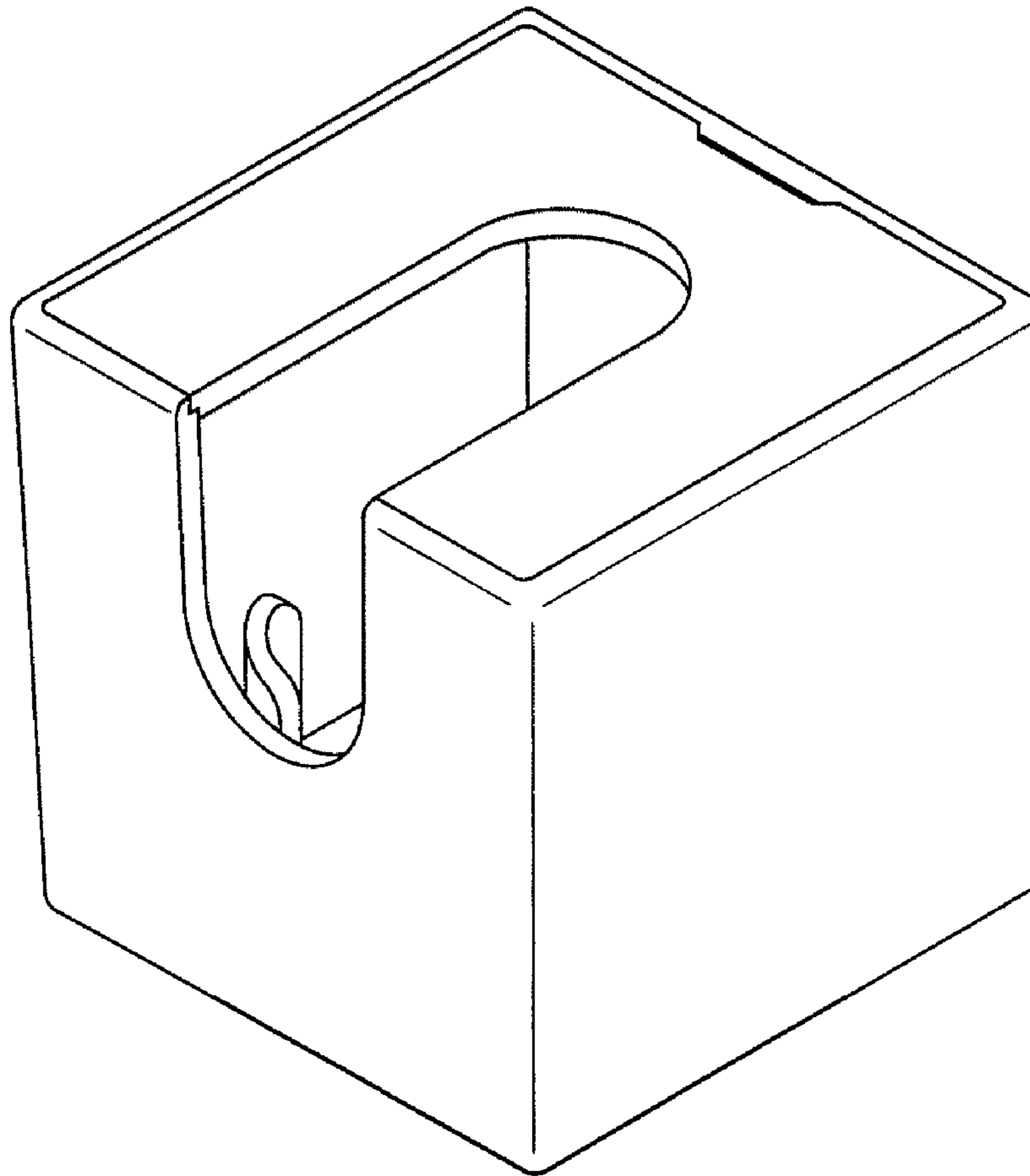


Fig. 6



F i g . 7

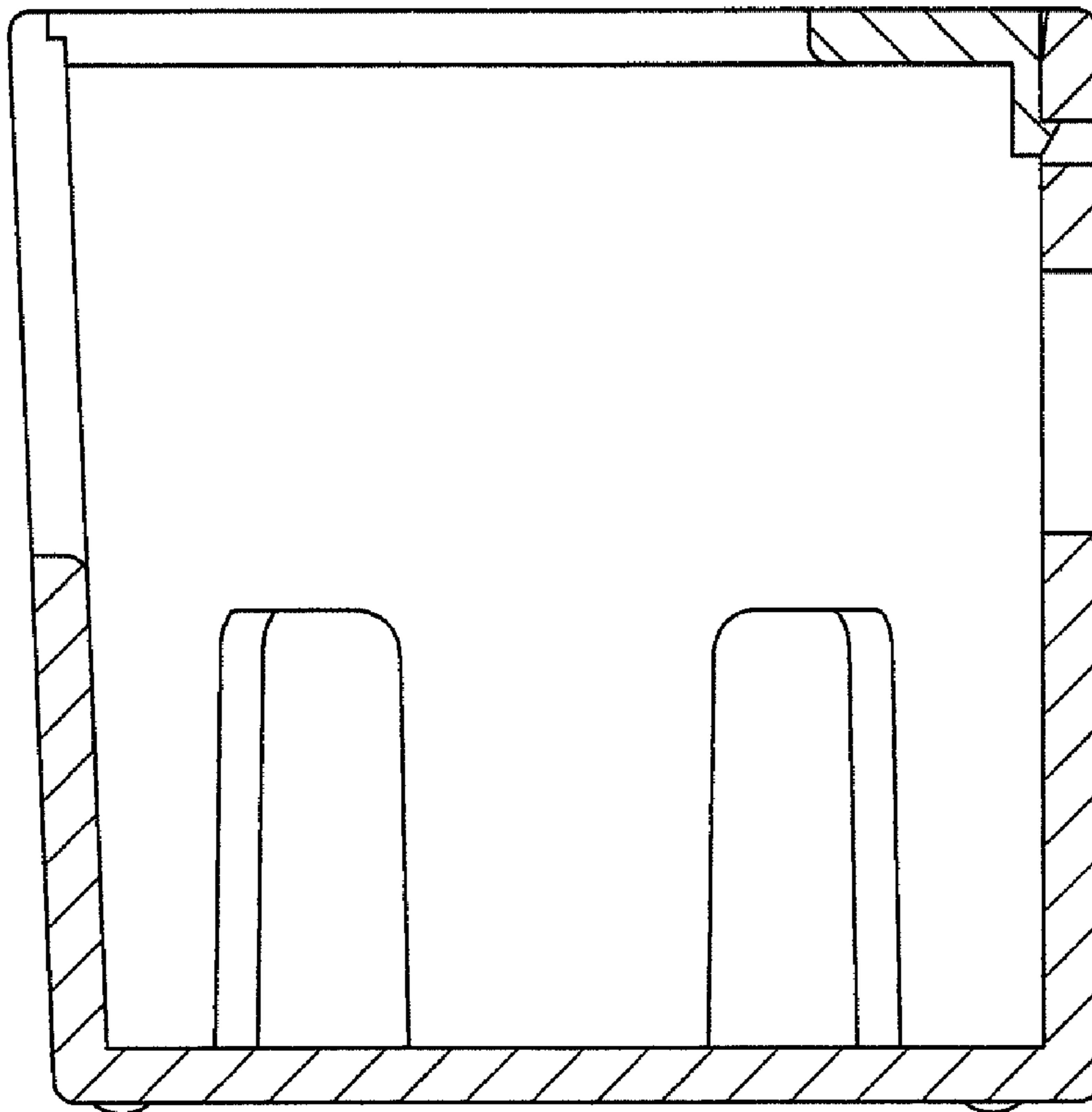


Fig. 8

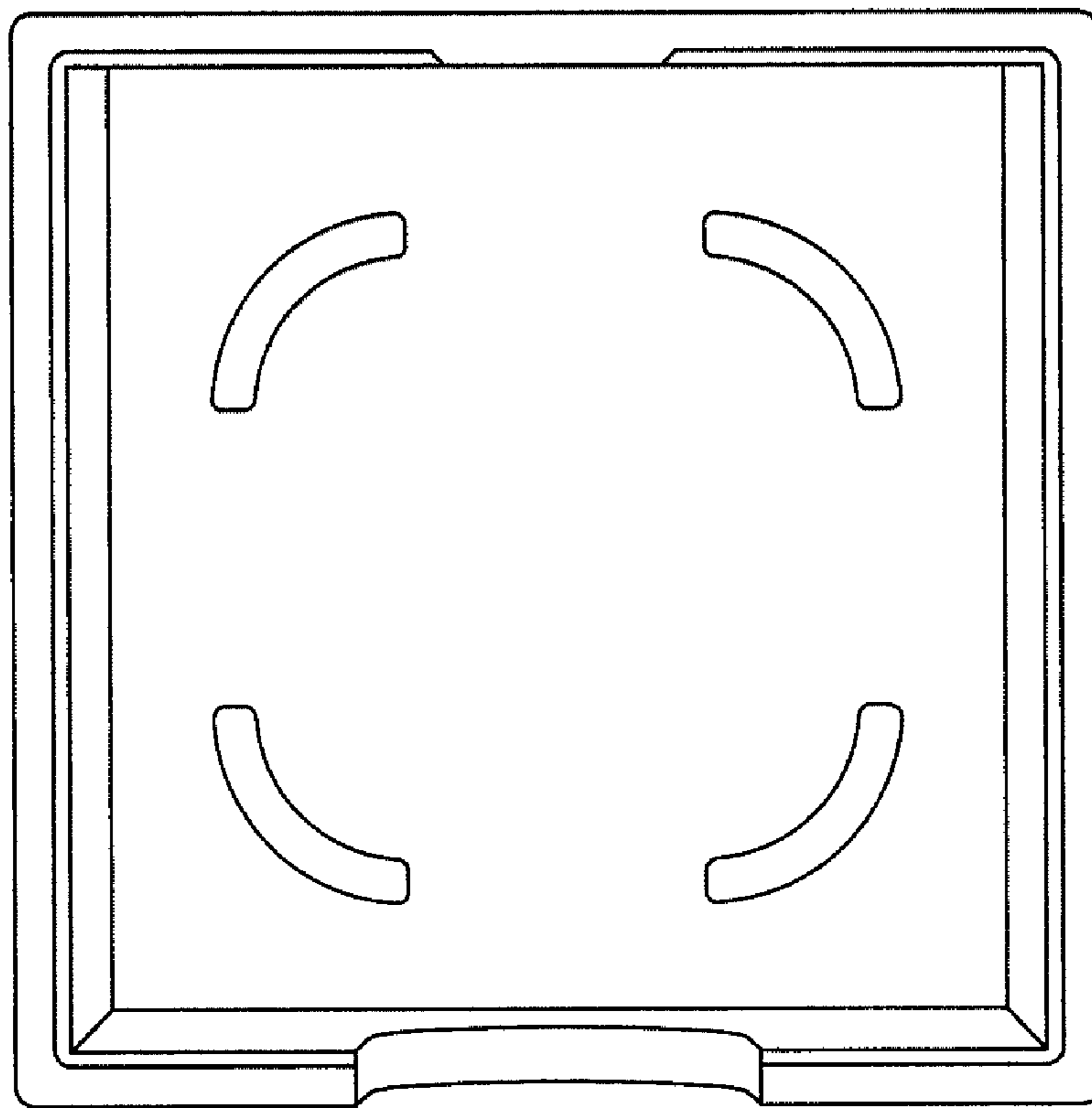


Fig. 9

