

US00D640586S

(12) **United States Design Patent**
Tanaka

(10) **Patent No.:** **US D640,586 S**

(45) **Date of Patent:** **** Jun. 28, 2011**

(54) **INDOOR AND OUTDOOR DECORATIVE ARTICLE**

(75) Inventor: **Yasuo Tanaka**, Tokyo (JP)

(73) Assignee: **Suntory Holdings Limited**, Osaka (JP)

(**) Term: **14 Years**

(21) Appl. No.: **29/361,149**

(22) Filed: **May 6, 2010**

(30) **Foreign Application Priority Data**

Nov. 10, 2009 (JP) 2009-026250

(51) **LOC (9) Cl.** **11-02**

(52) **U.S. Cl.** **D11/155; D6/556**

(58) **Field of Classification Search** D6/403-405,
D6/556-558; D8/1; D11/143-156, 164;
D19/77, 80, 81, 84; D25/100; D26/9-11,
D26/16, 19; D34/1, 2, 4-6; D99/5, 19; 47/17,
47/32.4, 32.5, 32.7, 33, 39, 41.01, 41.1, 41.11-41.15,
47/44-47, 65, 65.5, 65.9, 66.1, 66.2, 66.6,
47/66.7, 67-71

See application file for complete search history.

(56) **References Cited**

U.S. PATENT DOCUMENTS

2,830,405 A * 4/1958 Nydegger D11/155
D320,952 S * 10/1991 Lang D11/145
D332,161 S * 12/1992 Wenzel et al. D34/5
D357,210 S * 4/1995 Tomlinson et al. D11/156
D371,088 S * 6/1996 Vollick D11/145
D484,662 S * 12/2003 Fuller D34/6

D624,335 S * 9/2010 Lutz et al. D6/403
D630,123 S * 1/2011 Ott D11/144
2007/0084107 A1 * 4/2007 Ganti 47/39
2009/0293351 A1 * 12/2009 De Pagter et al. 47/41.12

* cited by examiner

Primary Examiner — Garth Rademaker

(74) *Attorney, Agent, or Firm* — Greenblum & Bernstein P.L.C.

(57) **CLAIM**

The ornamental design for an indoor and outdoor decorative article, as shown and described.

DESCRIPTION

FIG. 1 is a front elevation view of an indoor and outdoor decorative article showing my new design; FIG. 2 is a rear elevation view thereof; FIG. 3 is a left side elevation view thereof; FIG. 4 is a right side elevation view thereof; FIG. 5 is a top plan view thereof; FIG. 6 is a bottom plan view thereof; FIG. 7 is a perspective view thereof; and, FIG. 8 is a right side elevation view thereof, shown attached to a vertical surface.

The broken lines in the figures depict environmental subject matter only and form no part of the claimed design.

The indoor and outdoor decorative article is for use in an indoor or outdoor environment and can be mounted to a wall surface.

1 Claim, 8 Drawing Sheets

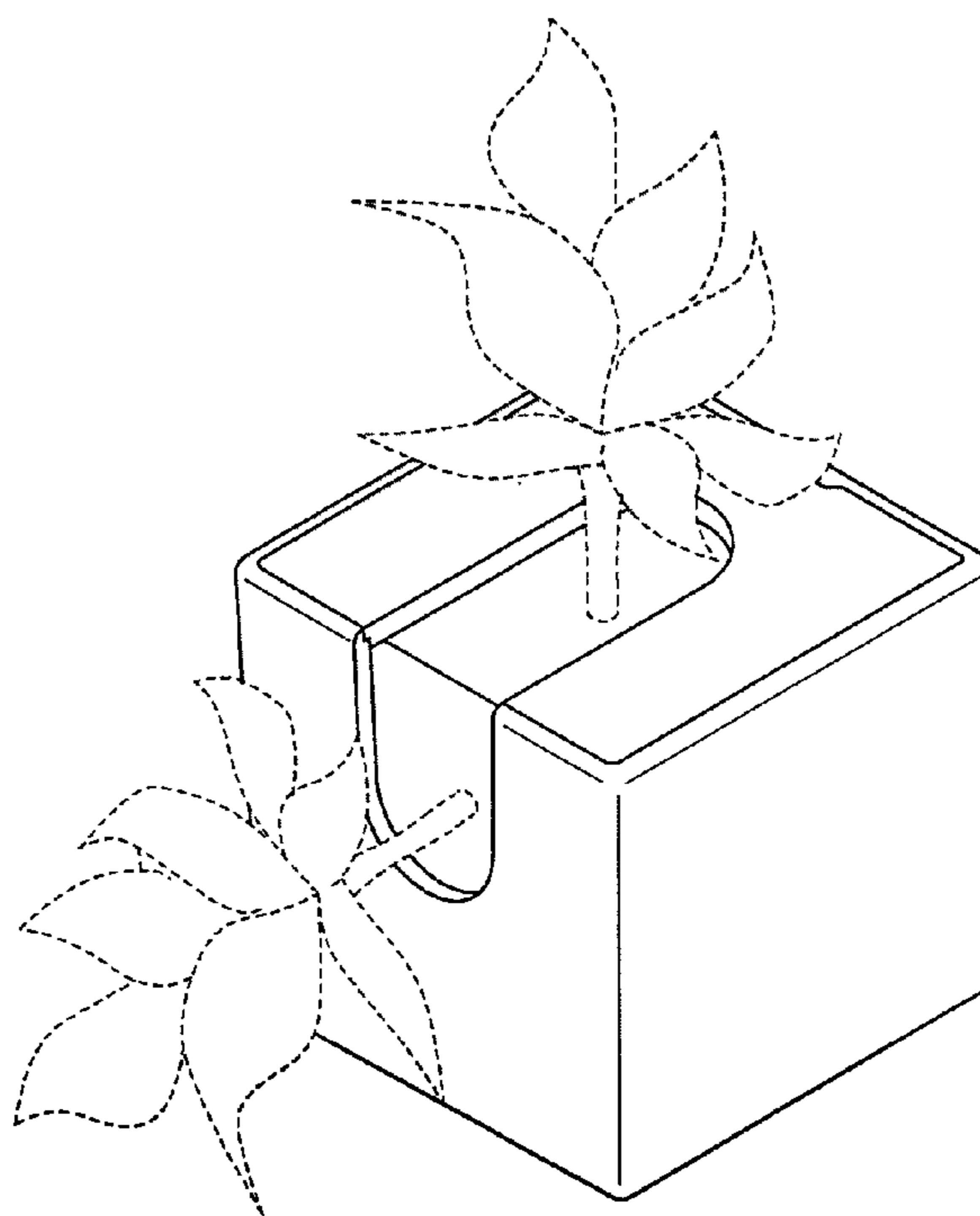


Fig. 1

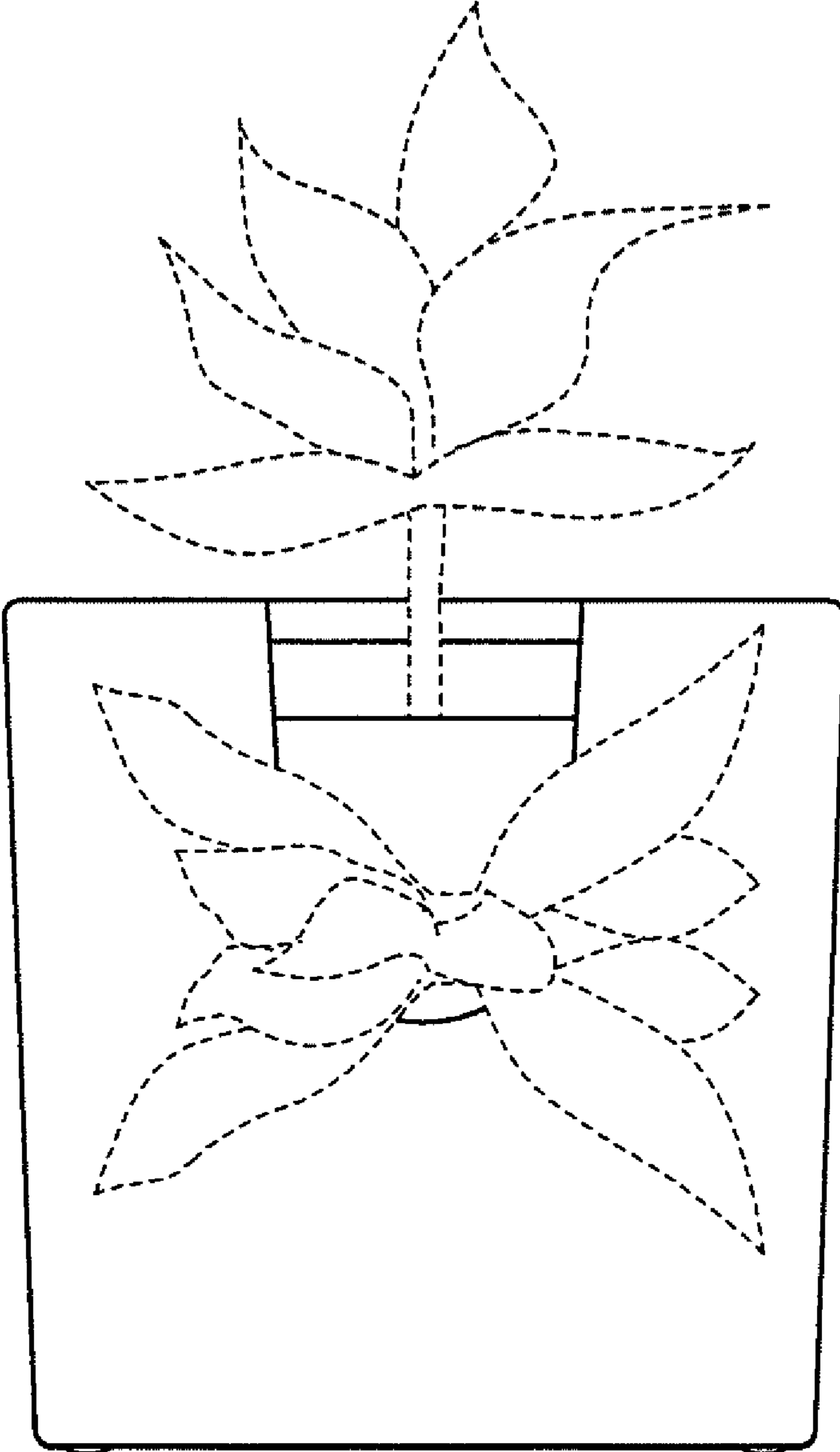
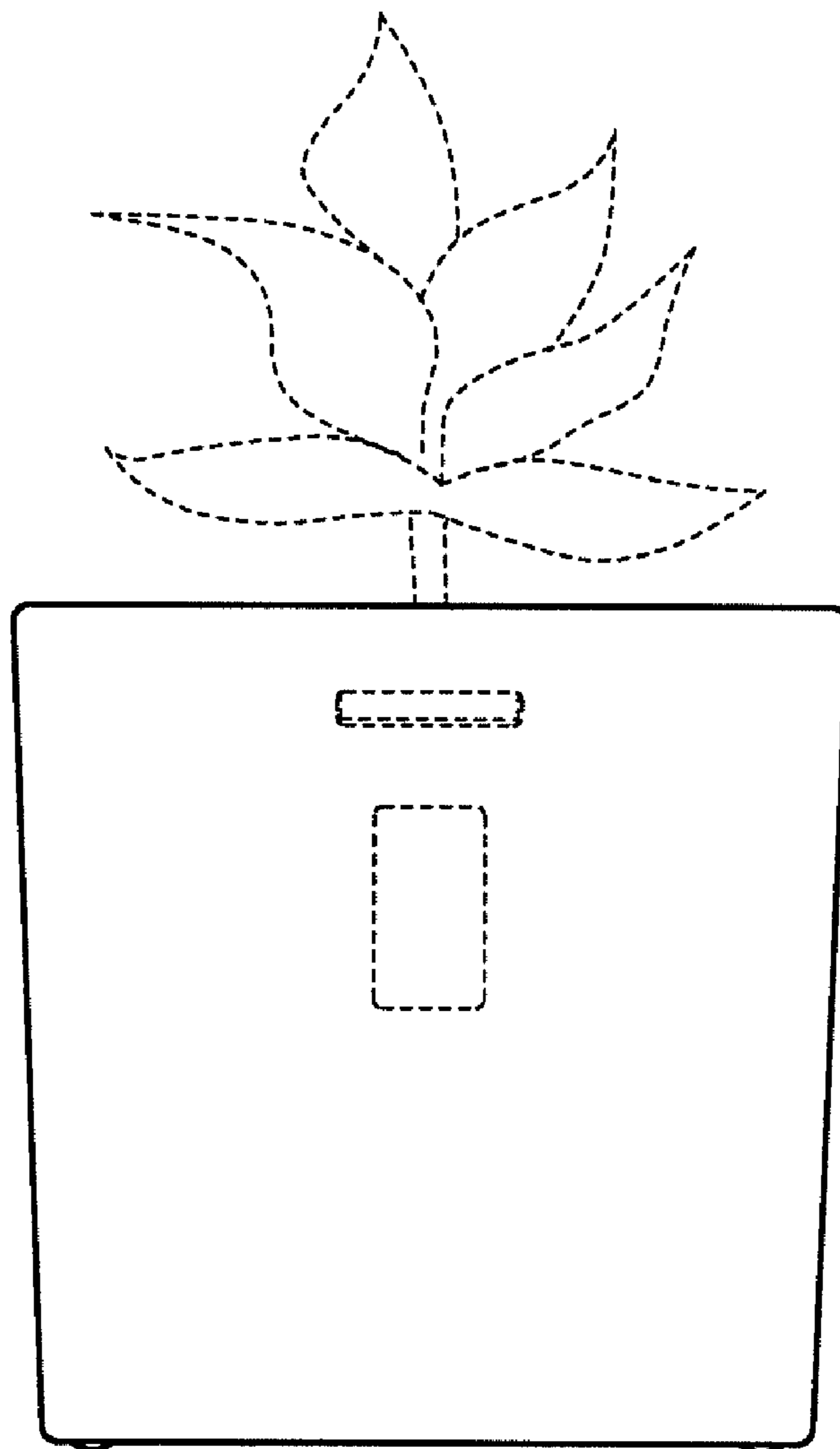
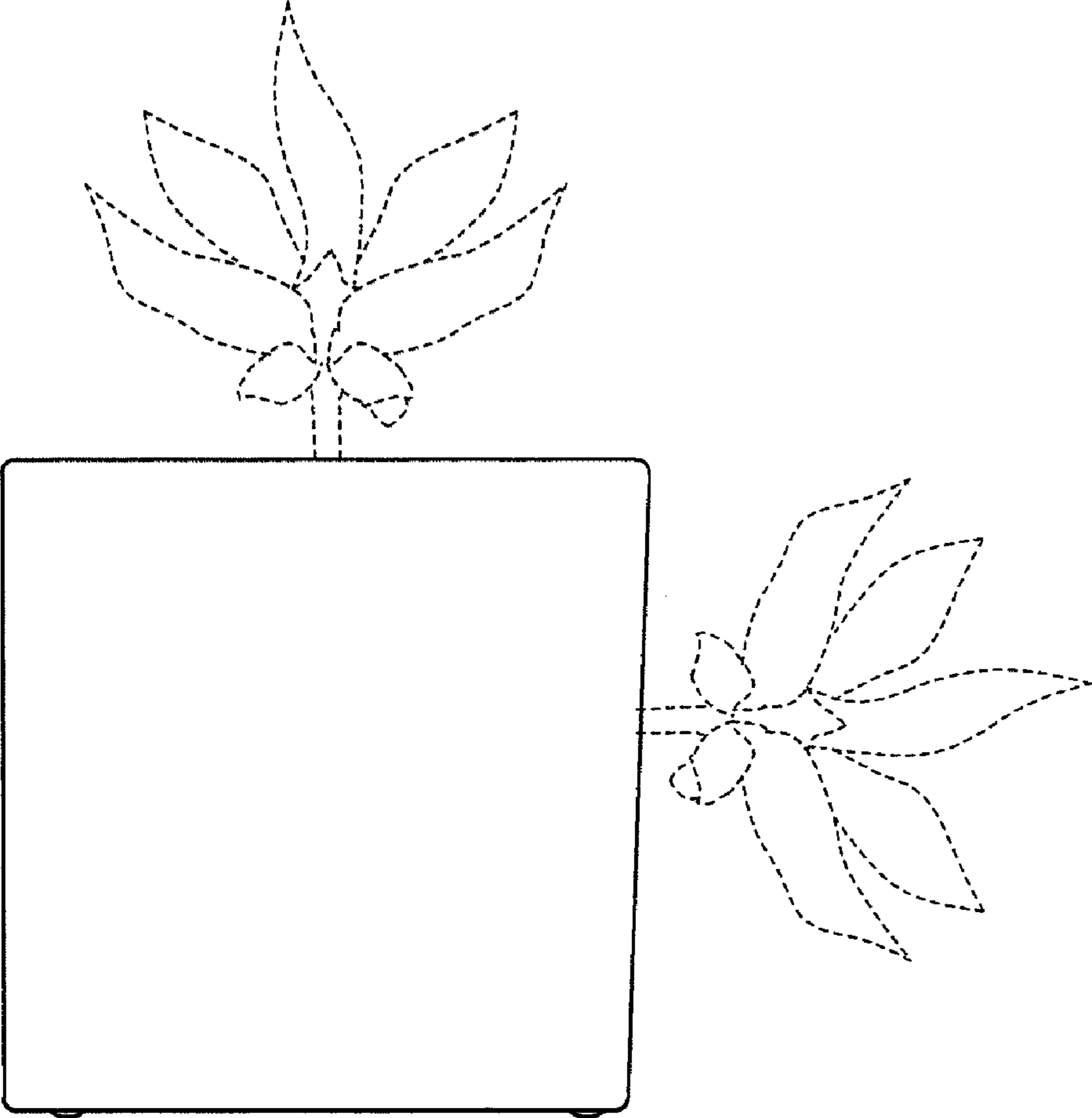


Fig. 2



F i g . 3



F i g . 4

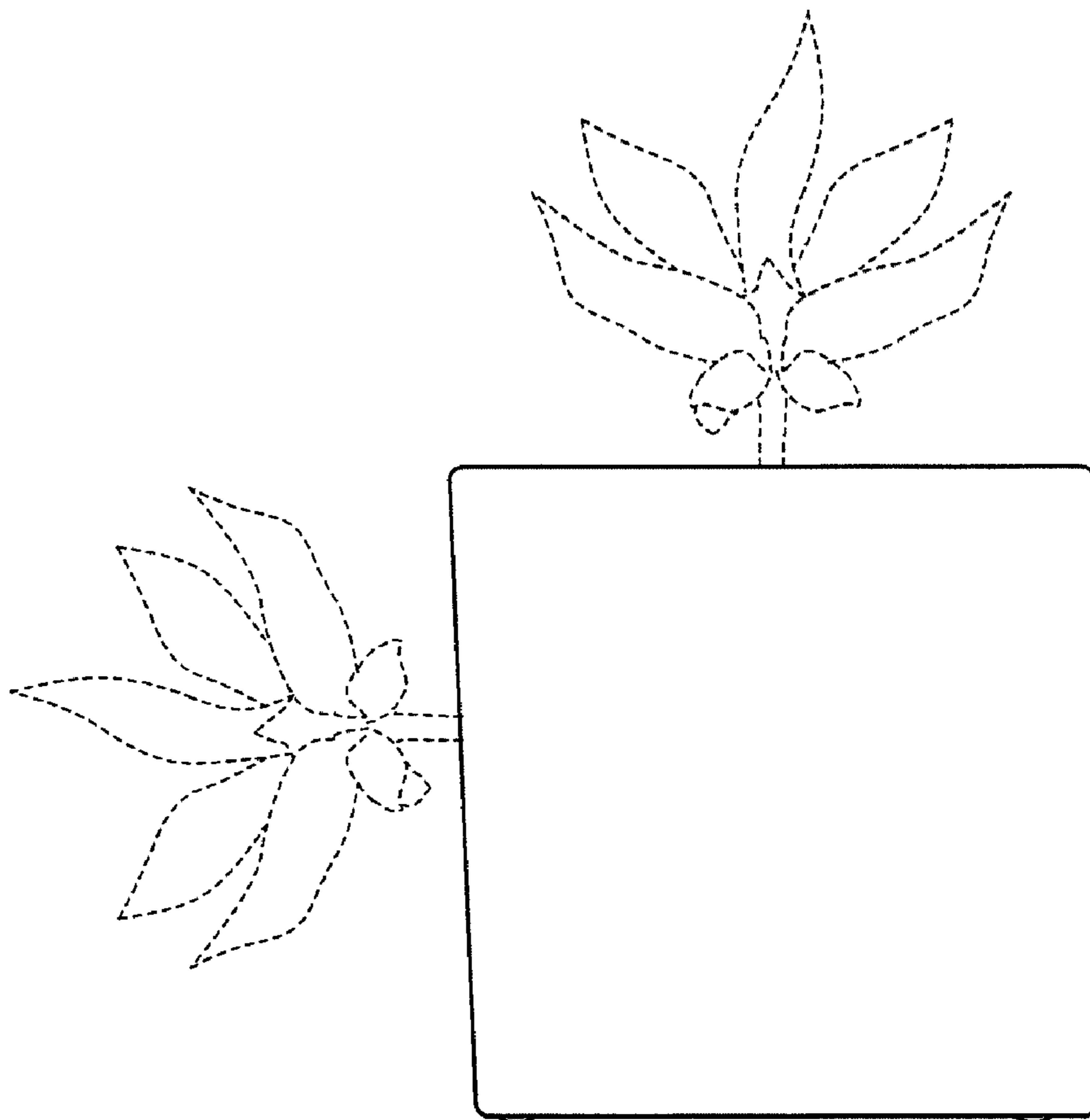
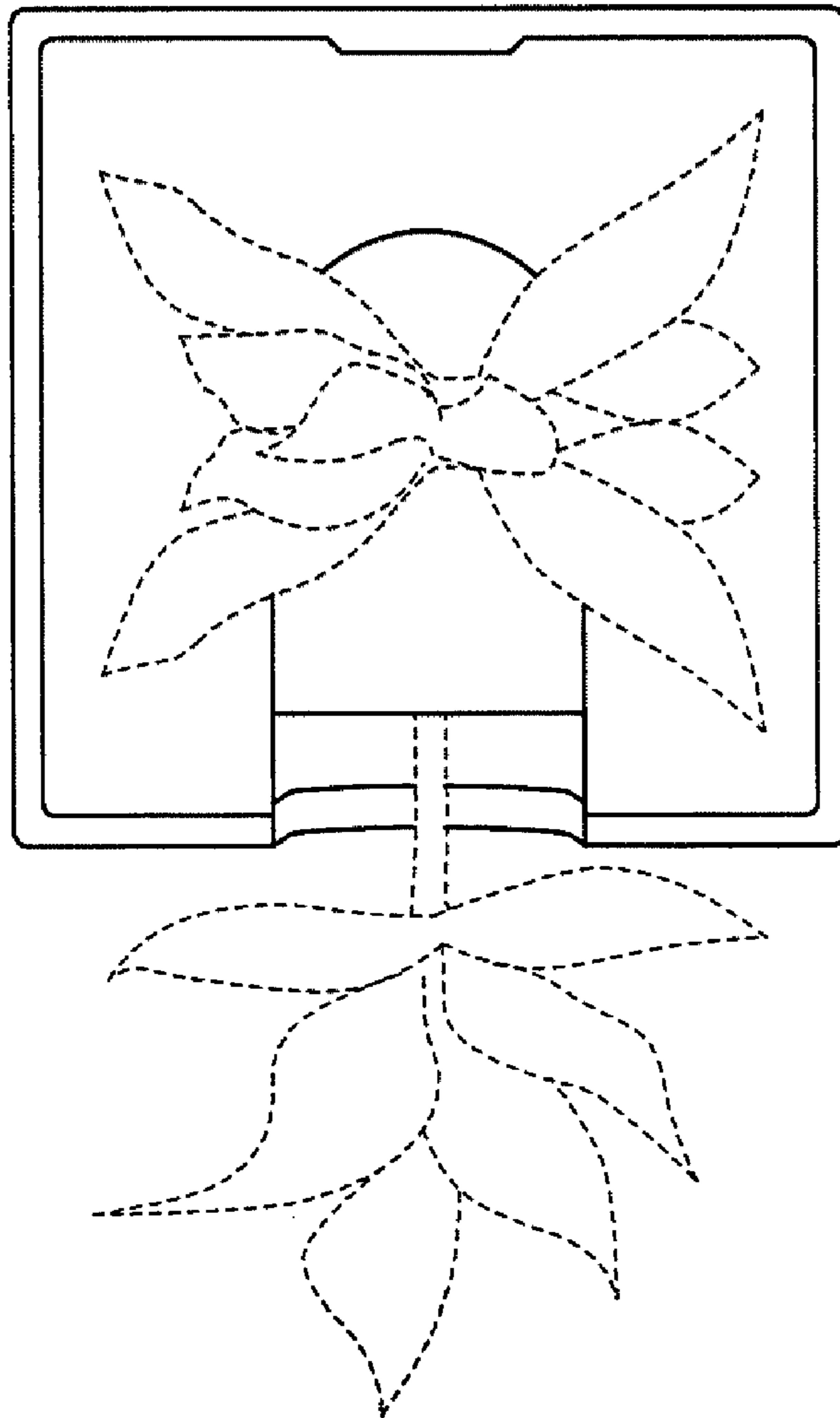
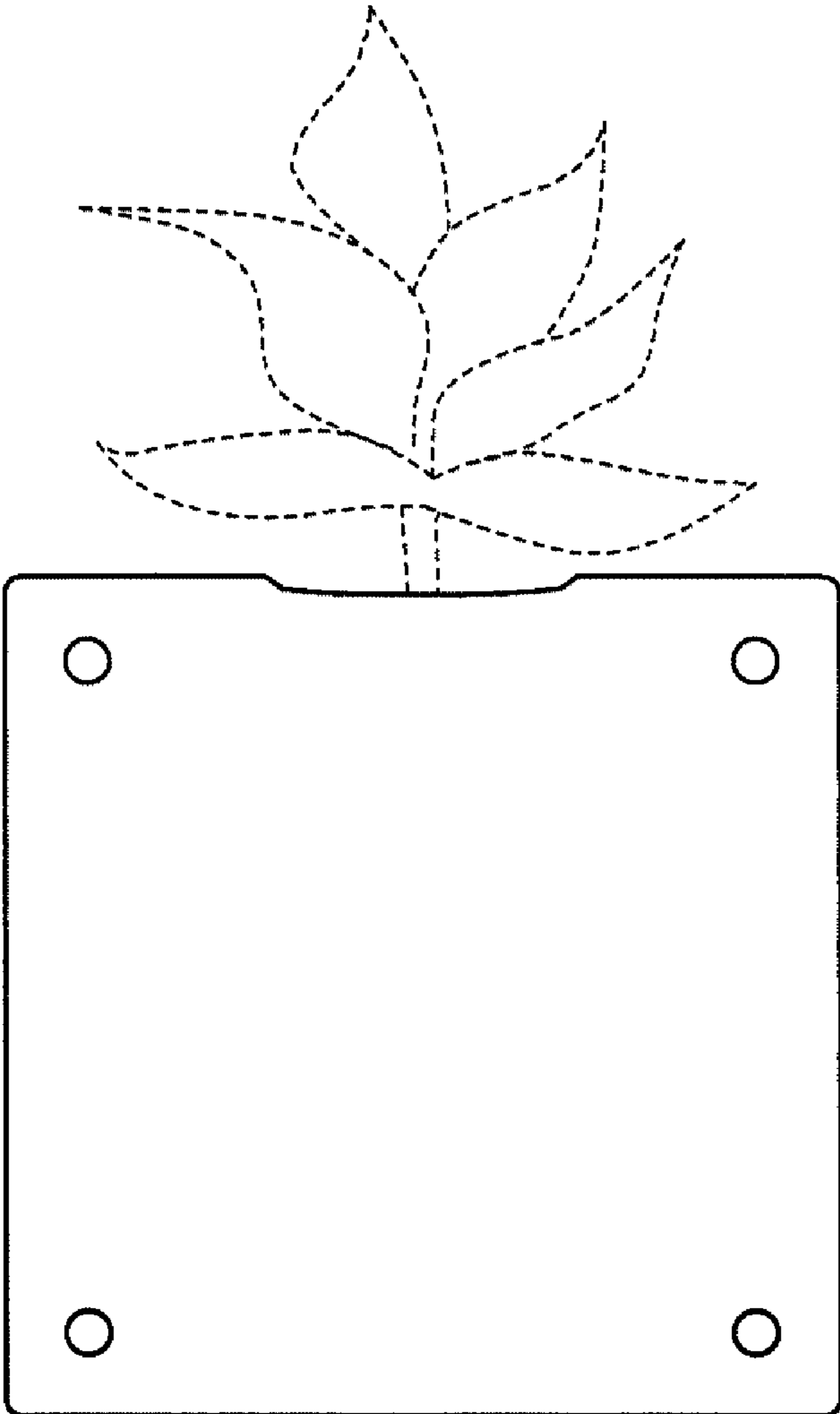


Fig. 5



F i g . 6



F i g . 7

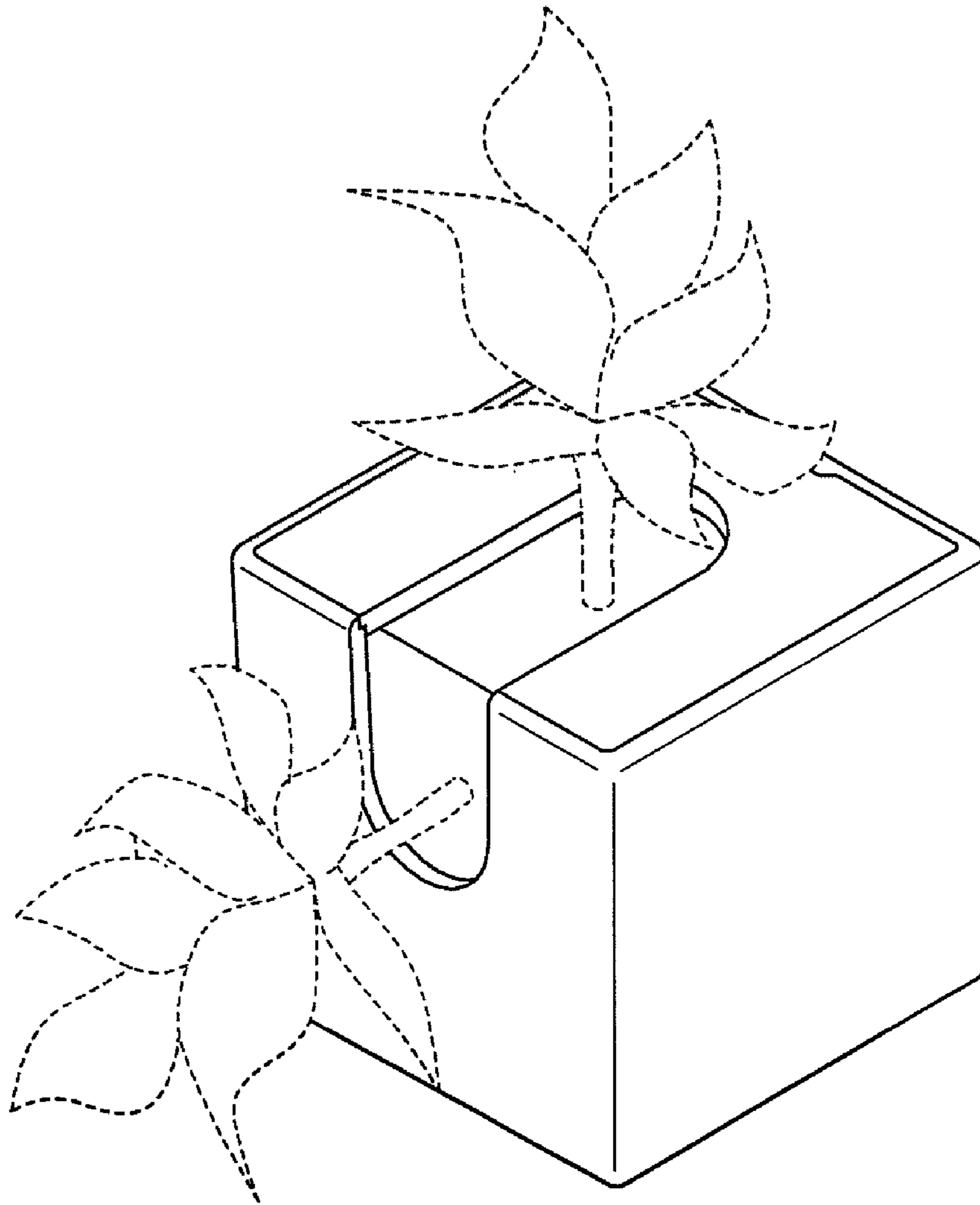


Fig. 8

