



US00D640585S

(12) **United States Design Patent**
Nolan

(10) **Patent No.:** **US D640,585 S**
(45) **Date of Patent:** **** Jun. 28, 2011**

(54) **EARRING BACK PIECE**

(76) Inventor: **Phyllis Carol Nolan**, Park Hill, OK (US)

(**) Term: **14 Years**

(21) Appl. No.: **29/383,510**

(22) Filed: **Jan. 19, 2011**

(51) **LOC (9) Cl.** **11-02**

(52) **U.S. Cl.** **D11/86; D11/43**

(58) **Field of Classification Search** D11/40-51,
D11/67, 79-88; 63/12, 13, 14.1-14.8
See application file for complete search history.

(56) **References Cited**

U.S. PATENT DOCUMENTS

D105,901 S *	8/1937	Schwartz	D3/211
D257,023 S *	9/1980	Barr	D11/43
D257,024 S *	9/1980	Barr	D11/43
D265,894 S *	8/1982	Barr	D11/43
D373,742 S *	9/1996	Janice	D11/40
D421,728 S *	3/2000	Sutton	D11/56
D456,300 S *	4/2002	Brisk	D11/79
D541,694 S *	5/2007	Ping	D11/40

* cited by examiner

Primary Examiner — Cathron Brooks

Assistant Examiner — Melanie Levy

(74) *Attorney, Agent, or Firm* — Fellers, Snider, Blankenship, Bailey & Tippens, P.C.; Dennis D. Brown

(57) **CLAIM**

The ornamental design for an earring back piece, as shown and described.

DESCRIPTION

FIG. 1 is a front elevational view of an earring back piece illustrating my new design.

FIG. 2 is a left side elevational view, the right side elevational view being a mirror image of this view.

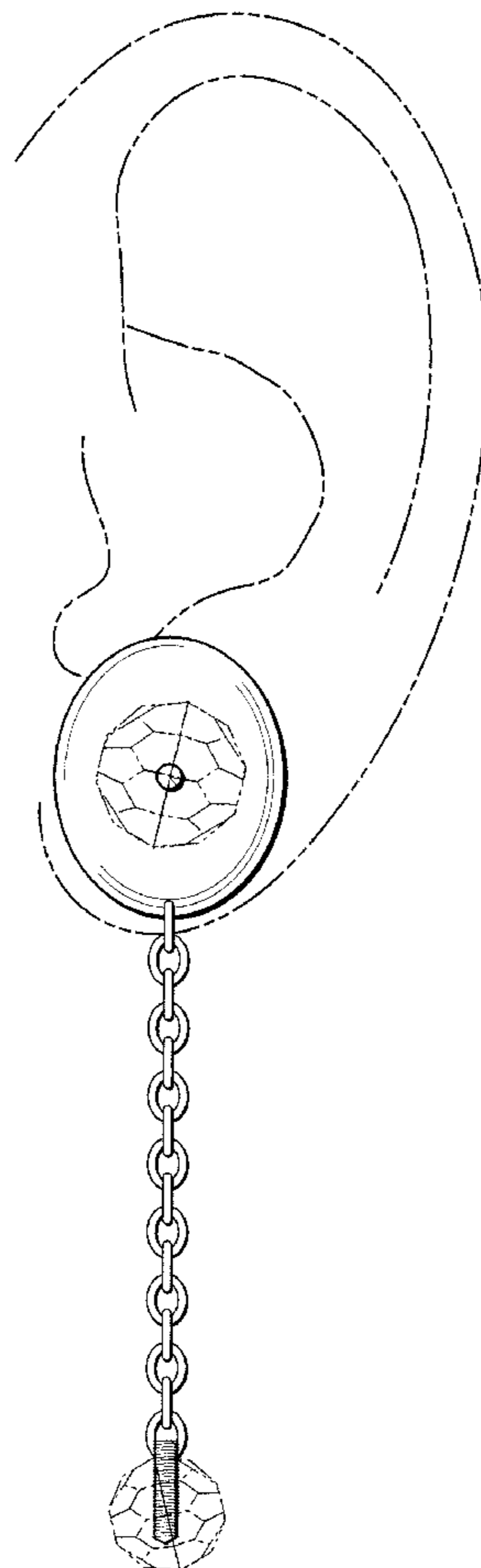
FIG. 3 is a rear elevational view thereof.

FIG. 4 is a top plan view thereof; and,

FIG. 5 is bottom plan view thereof.

The broken lines showing earring structures in the drawings represent unclaimed portions of the design and form no part of the claimed design. The broken line showing of an ear represents environmental matter and forms no part of the claimed design.

1 Claim, 2 Drawing Sheets



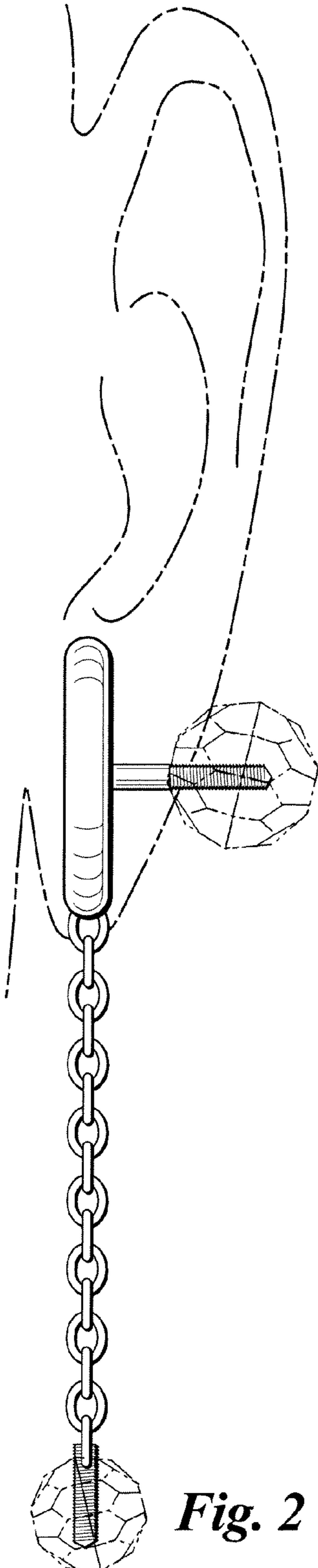


Fig. 2

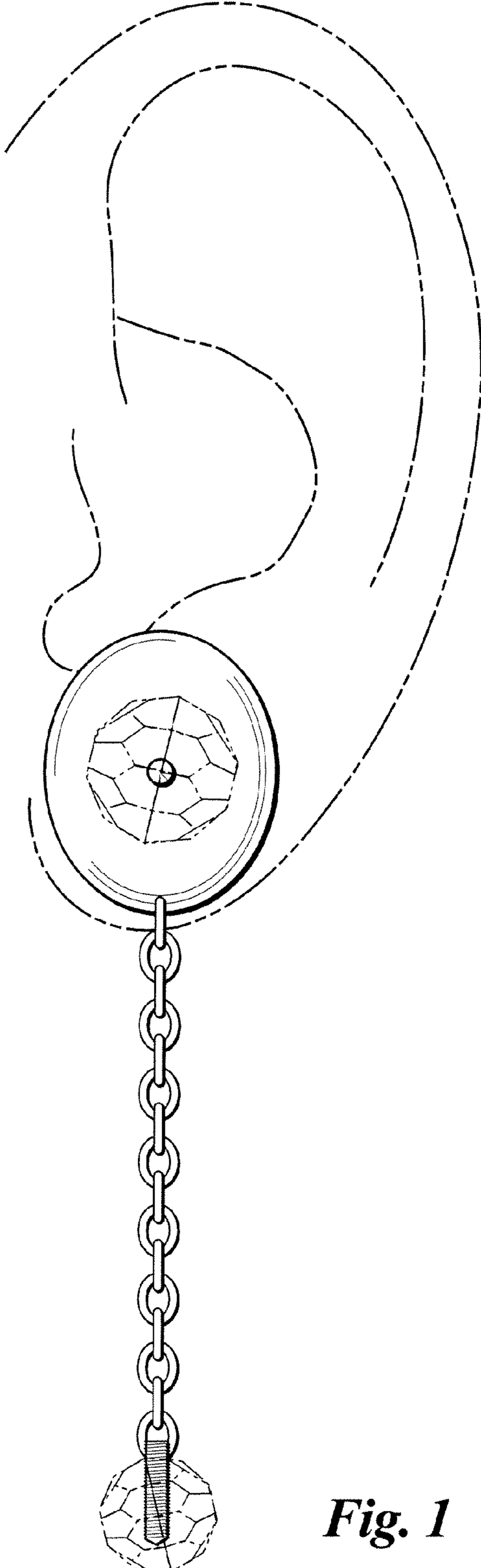


Fig. 1

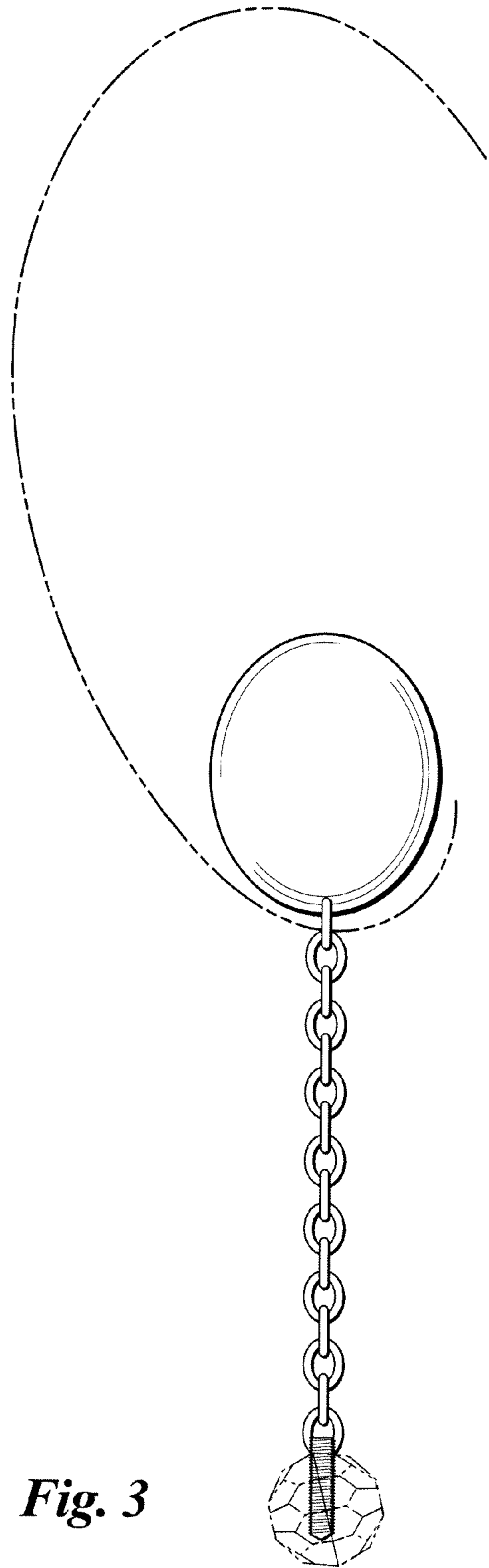


Fig. 3

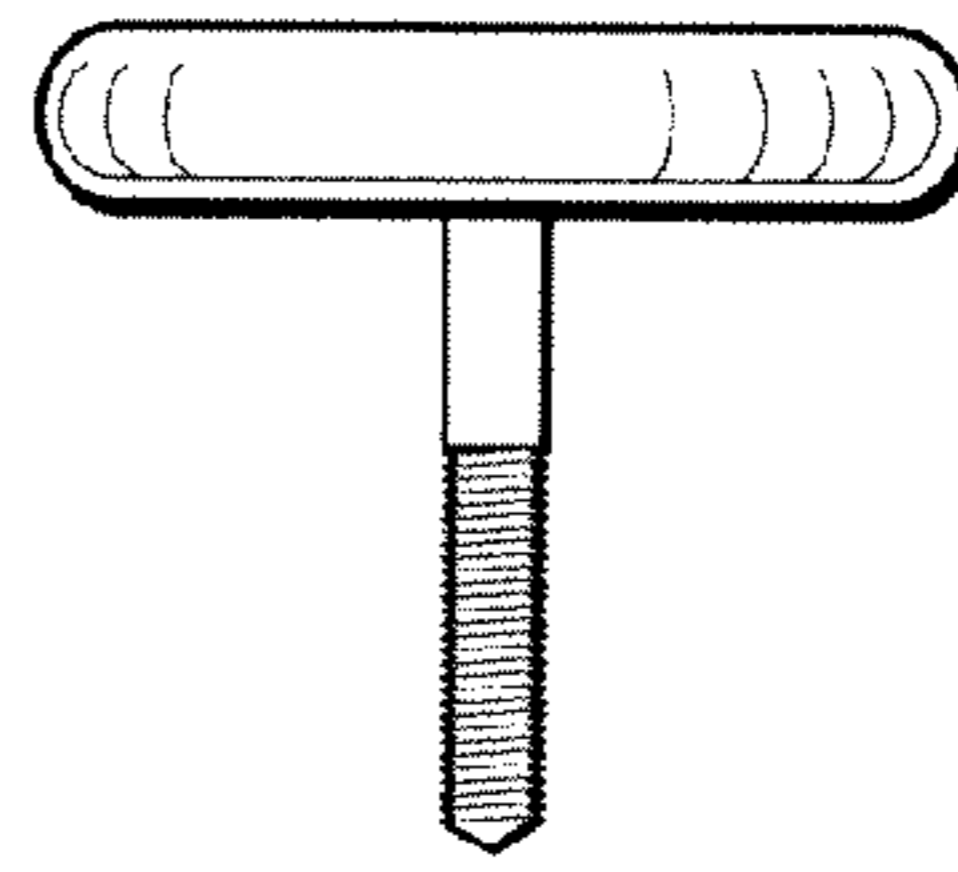


Fig. 4

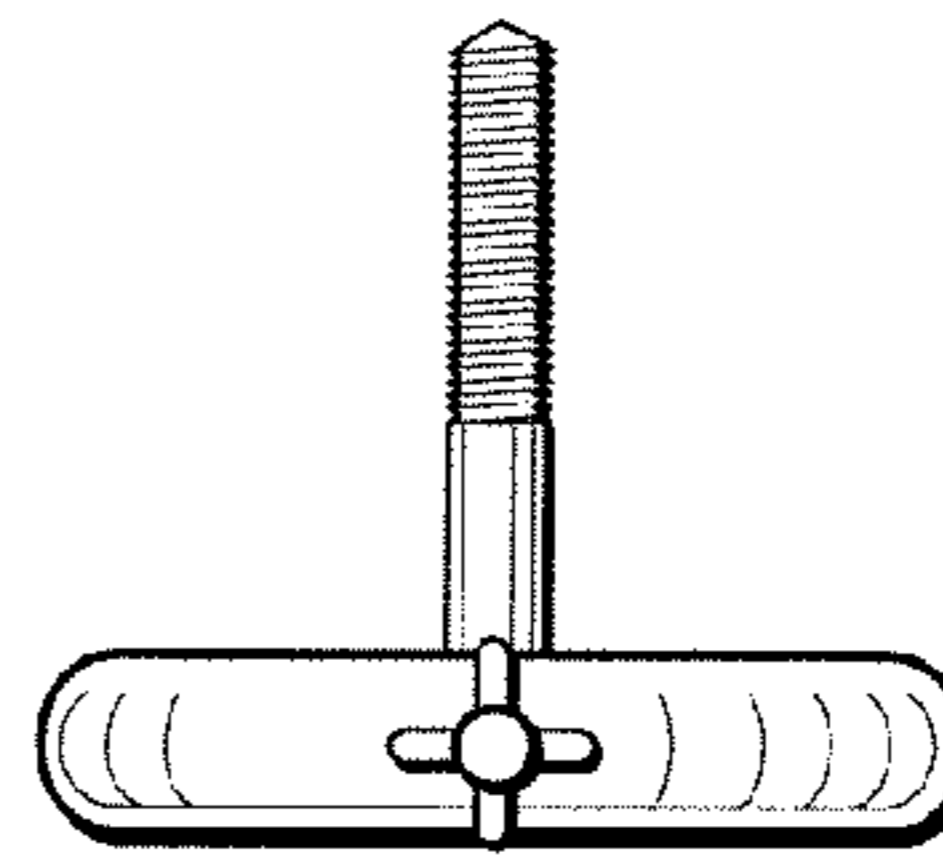


Fig. 5