



US00D640579S

(12) **United States Design Patent**  
**Olzak et al.**

(10) **Patent No.:** **US D640,579 S**  
(45) **Date of Patent:** **\*\* Jun. 28, 2011**

(54) **ENCLOSURE FOR INFORMATION  
RECORDER AND LOCATOR BEACON**

2009/0082918 A1\* 3/2009 Hendrix, Jr. .... 701/33  
\* cited by examiner

(75) Inventors: **Richard A. Olzak**, Kirkland, WA (US);  
**Gary Kersten**, Duval, WA (US)

*Primary Examiner* — Antoine D Davis  
(74) *Attorney, Agent, or Firm* — Ingrassia Fisher & Lorenz,  
P.C.

(73) Assignee: **Honeywell International Inc.**,  
Morristown, NJ (US)

(57) **CLAIM**  
The ornamental design for an enclosure for information  
recorder and locator beacon, as shown and described.

(\*\*) Term: **14 Years**

**DESCRIPTION**

(21) Appl. No.: **29/089,037**

(22) Filed: **Jun. 5, 1998**

FIG. 1 is a perspective view of an enclosure for information  
recorder and locator beacon showing our new design;  
FIG. 2 is a top plan view thereof, the bottom plan view being  
a mirror image;  
FIG. 3 is a left side elevational view thereof, the right side  
elevational view being a mirror image;  
FIG. 4 is a rear elevational view;  
FIG. 5 is a front elevational view thereof;  
FIG. 6 is a perspective view of an alternative embodiment of  
the invention; and,  
FIG. 7 is a right side elevational view thereof, the left side  
elevational view being a mirror image.

(51) **LOC (9) Cl.** ..... **10-04**

(52) **U.S. Cl.** ..... **D10/67; D10/65; D10/70; D10/83;**  
**D10/85; D10/96; D10/46; D10/49; D10/52;**  
**D10/53; D10/98**

(58) **Field of Classification Search** ..... **D10/46,**  
**D10/49, 52, 53, 65, 67, 70, 75, 83, 85, 96,**  
**D10/98; 348/117, 144, E7.026, E7.031,**  
**348/E7.86, E7.091; 386/E5.069; 375/240.12;**  
**701/3, 10, 35**

See application file for complete search history.

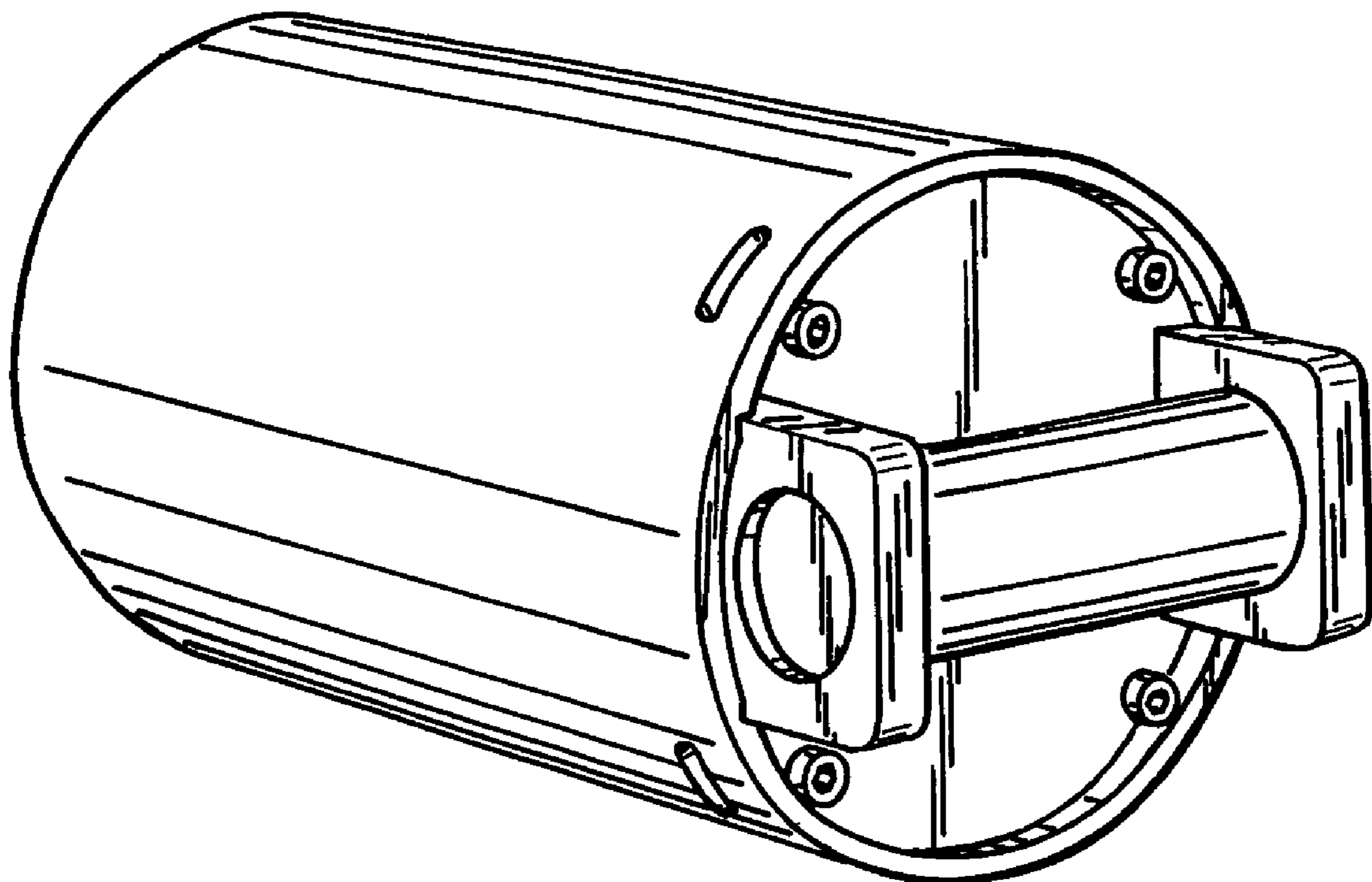
Enclosure for Information Recorder and Locator Beacon can  
be used to protect flight data and cockpit voice recordings  
from physical damage due to a crash or other incident and to  
send out a locator beacon signal to searchers.

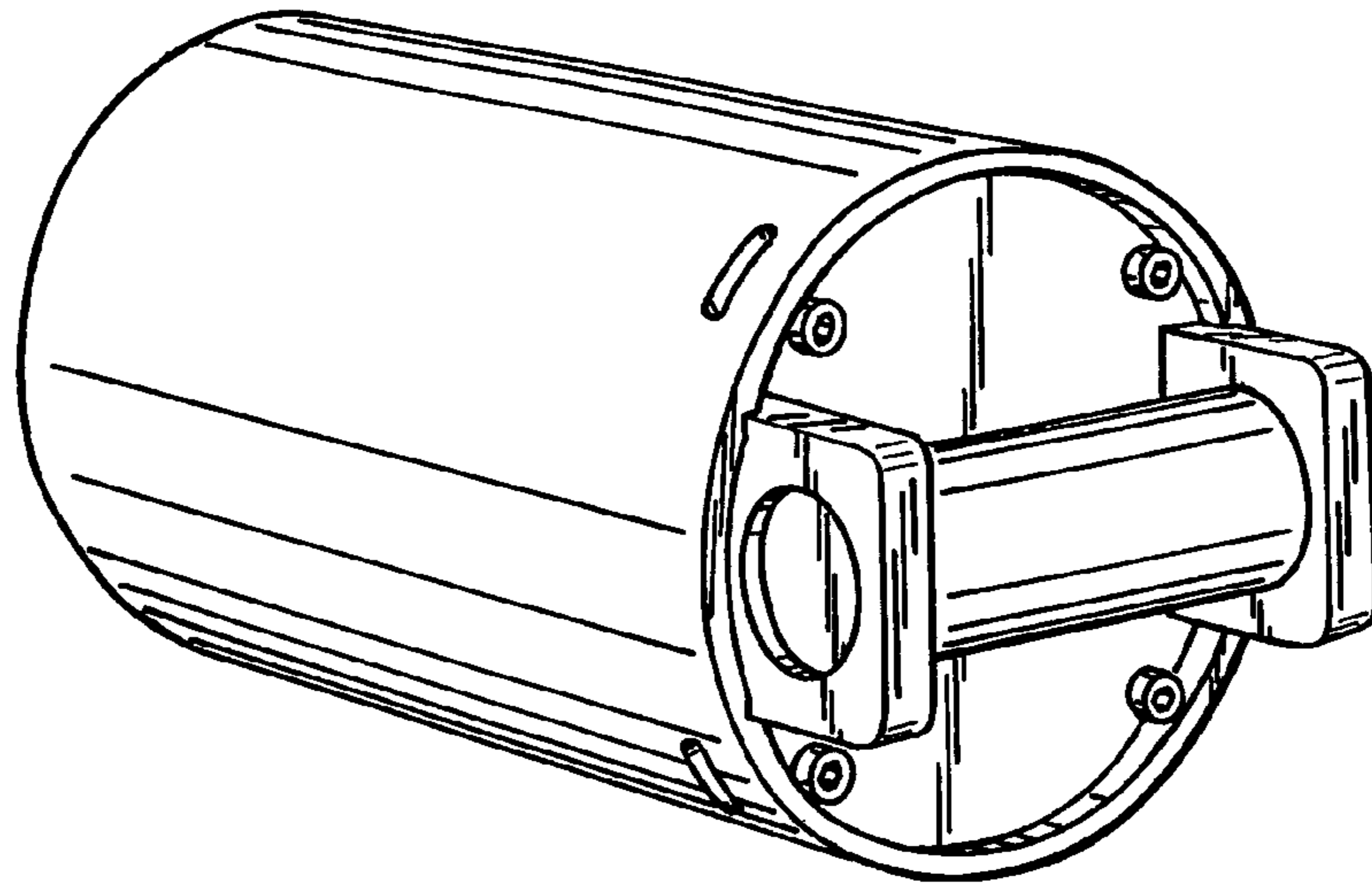
(56) **References Cited**

**U.S. PATENT DOCUMENTS**

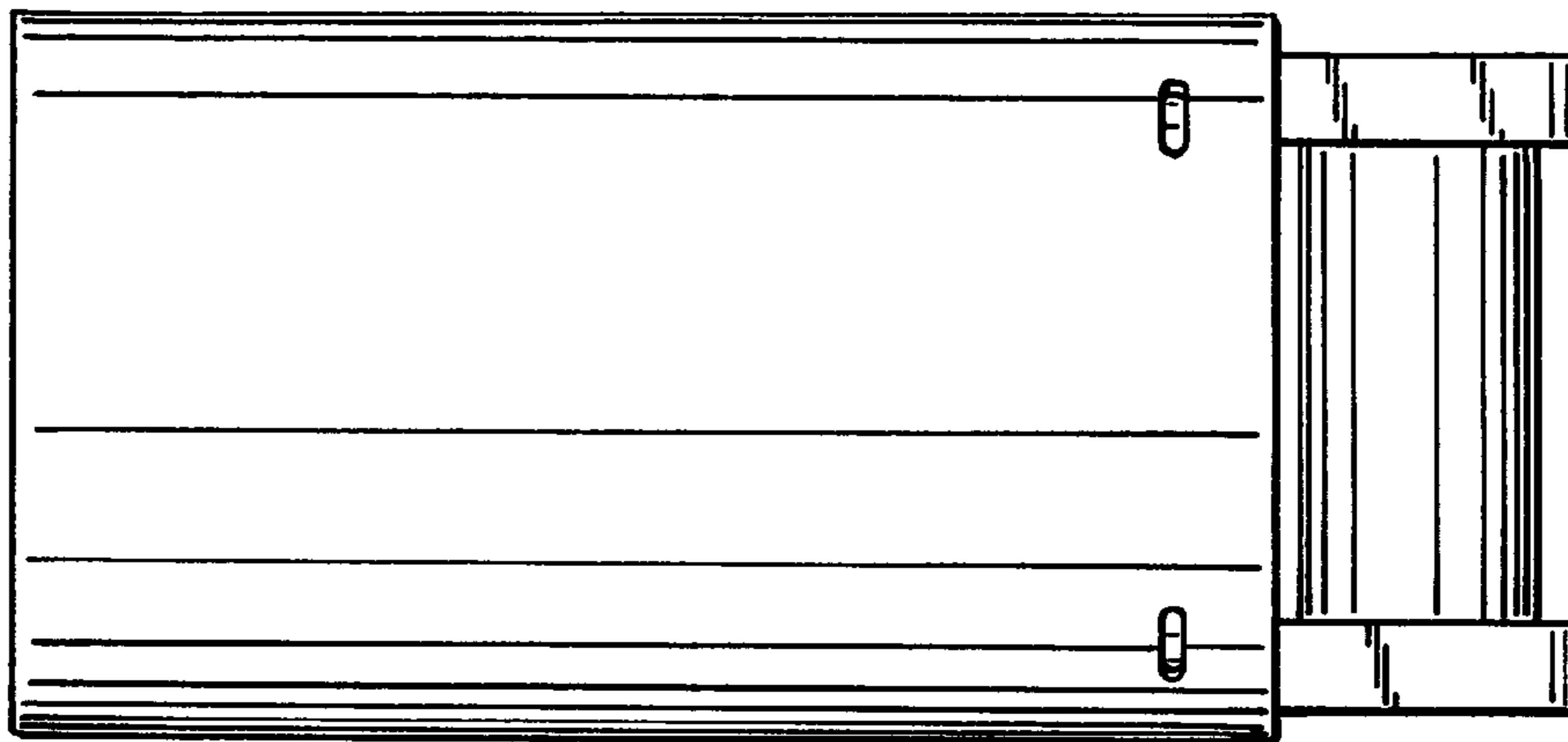
2007/0100516 A1\* 5/2007 Olzak ..... 701/14  
2007/0124042 A1\* 5/2007 Monroe ..... 701/35

**1 Claim, 4 Drawing Sheets**

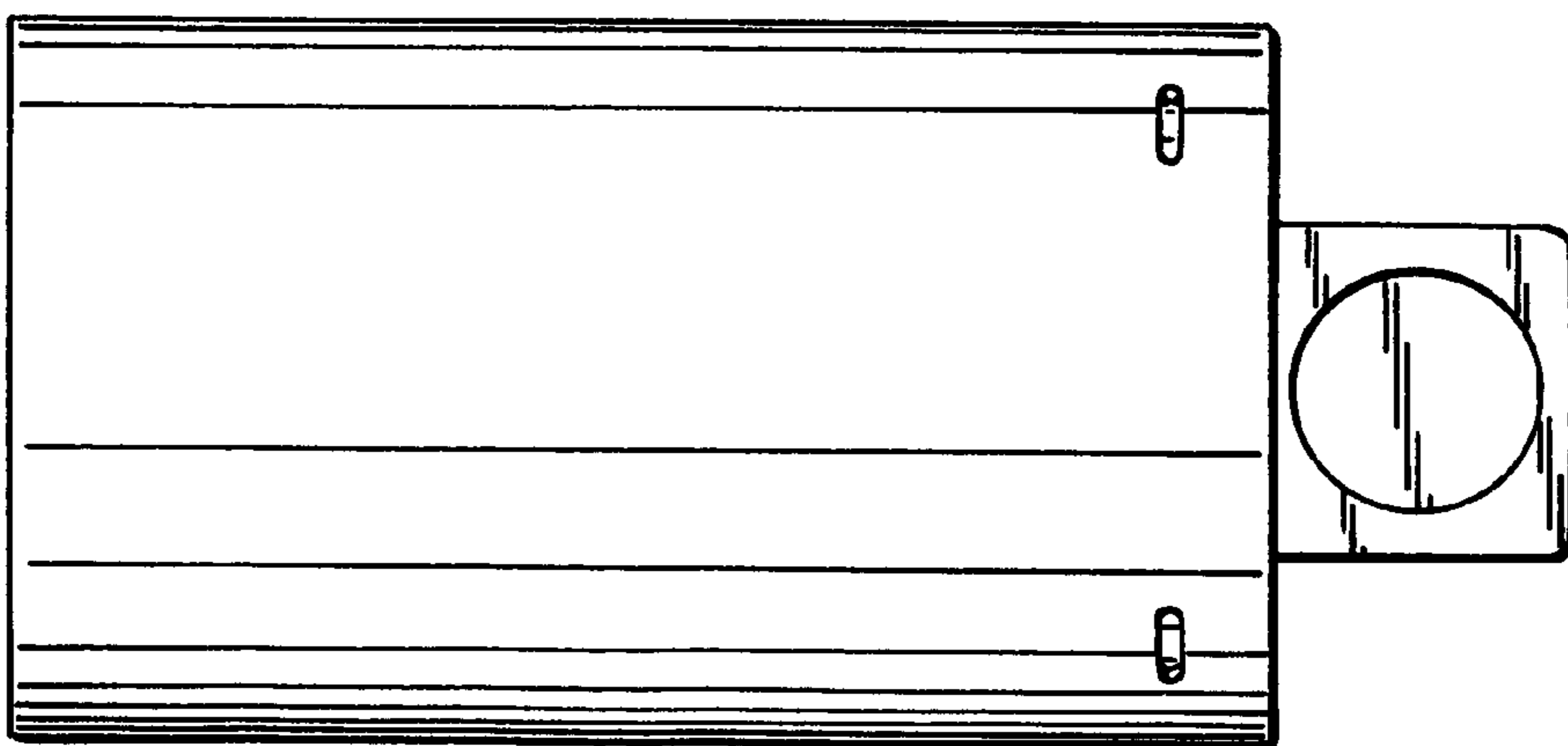




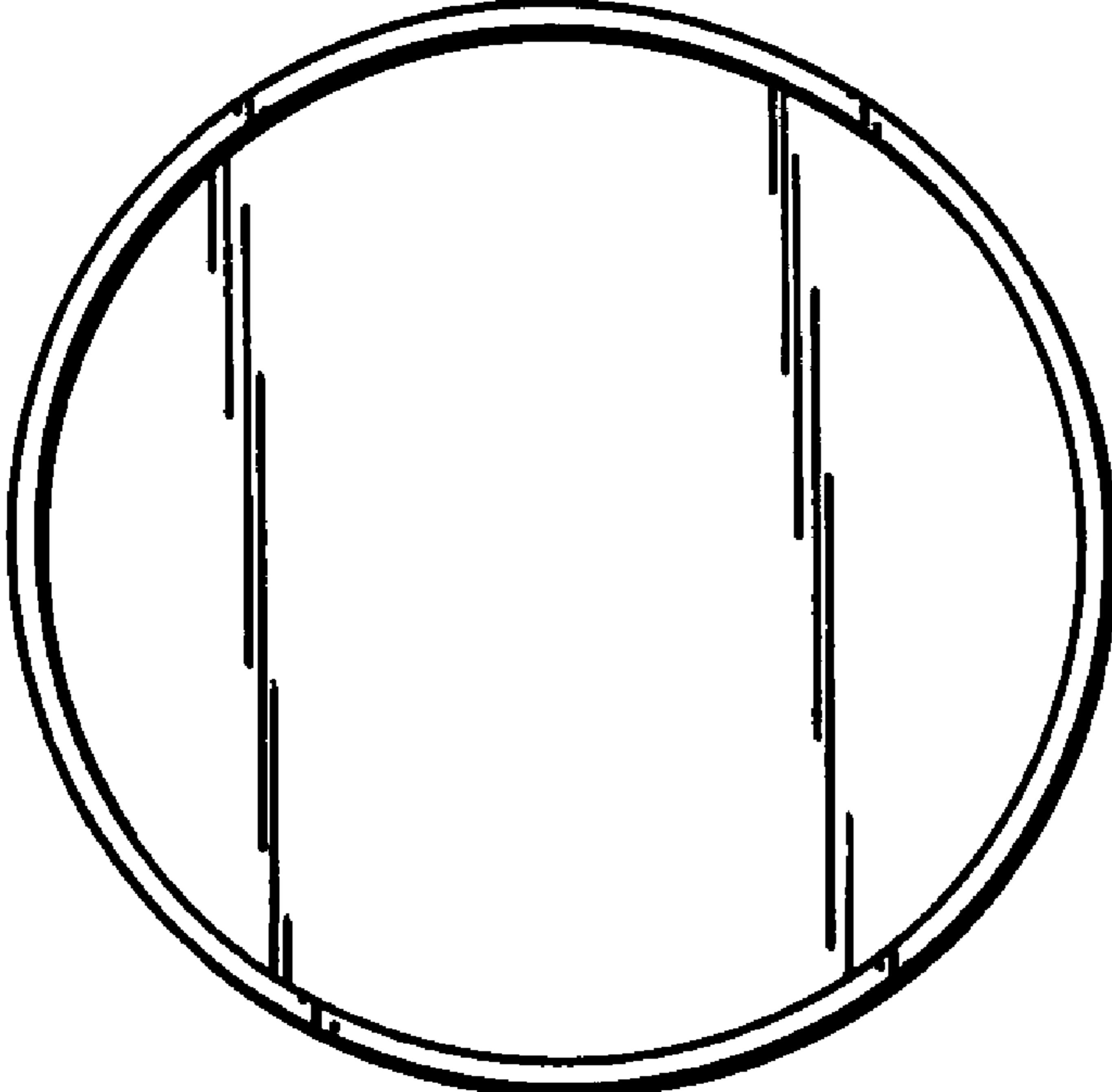
*FIG. 1.*



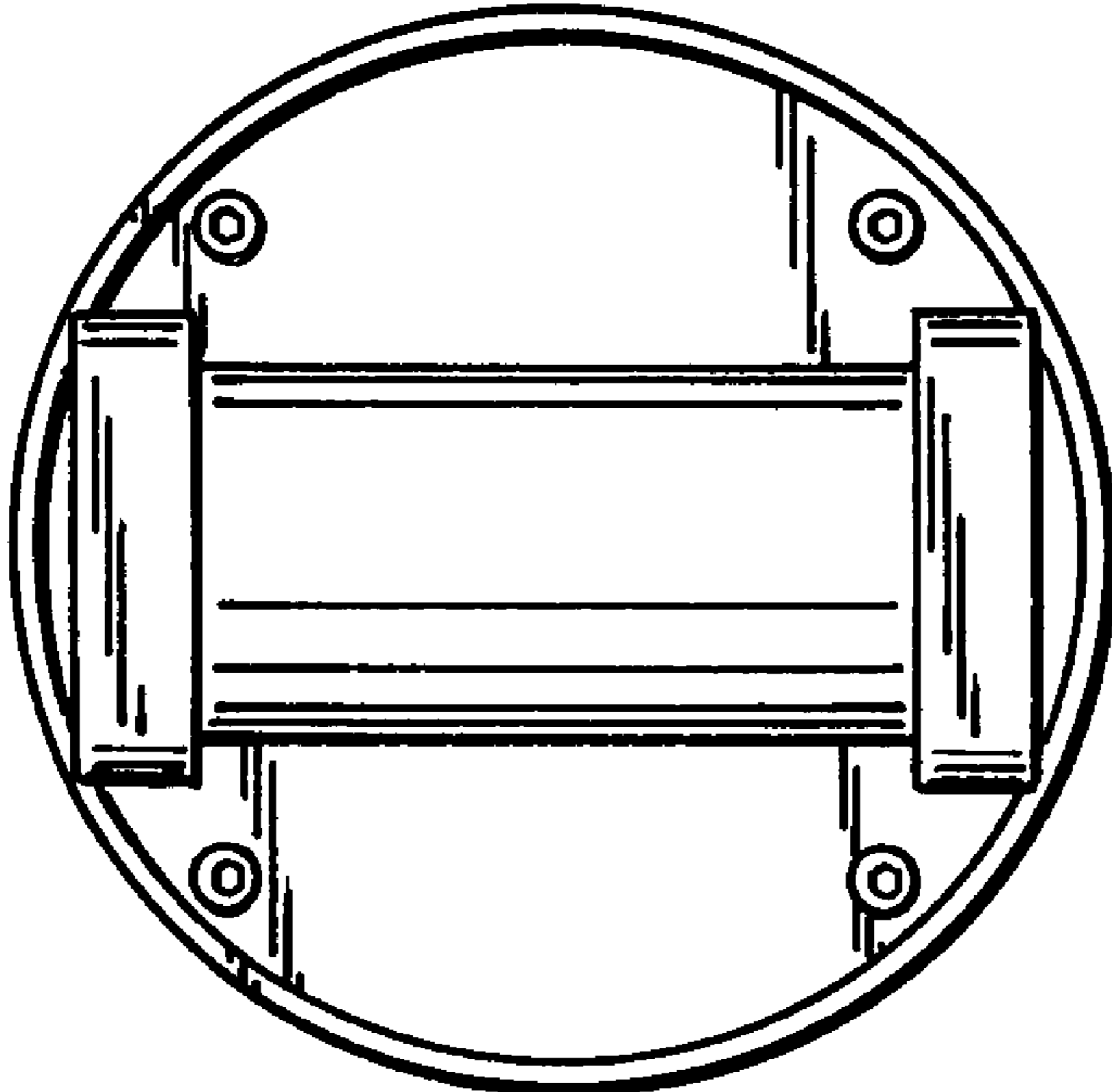
*FIG. 2.*



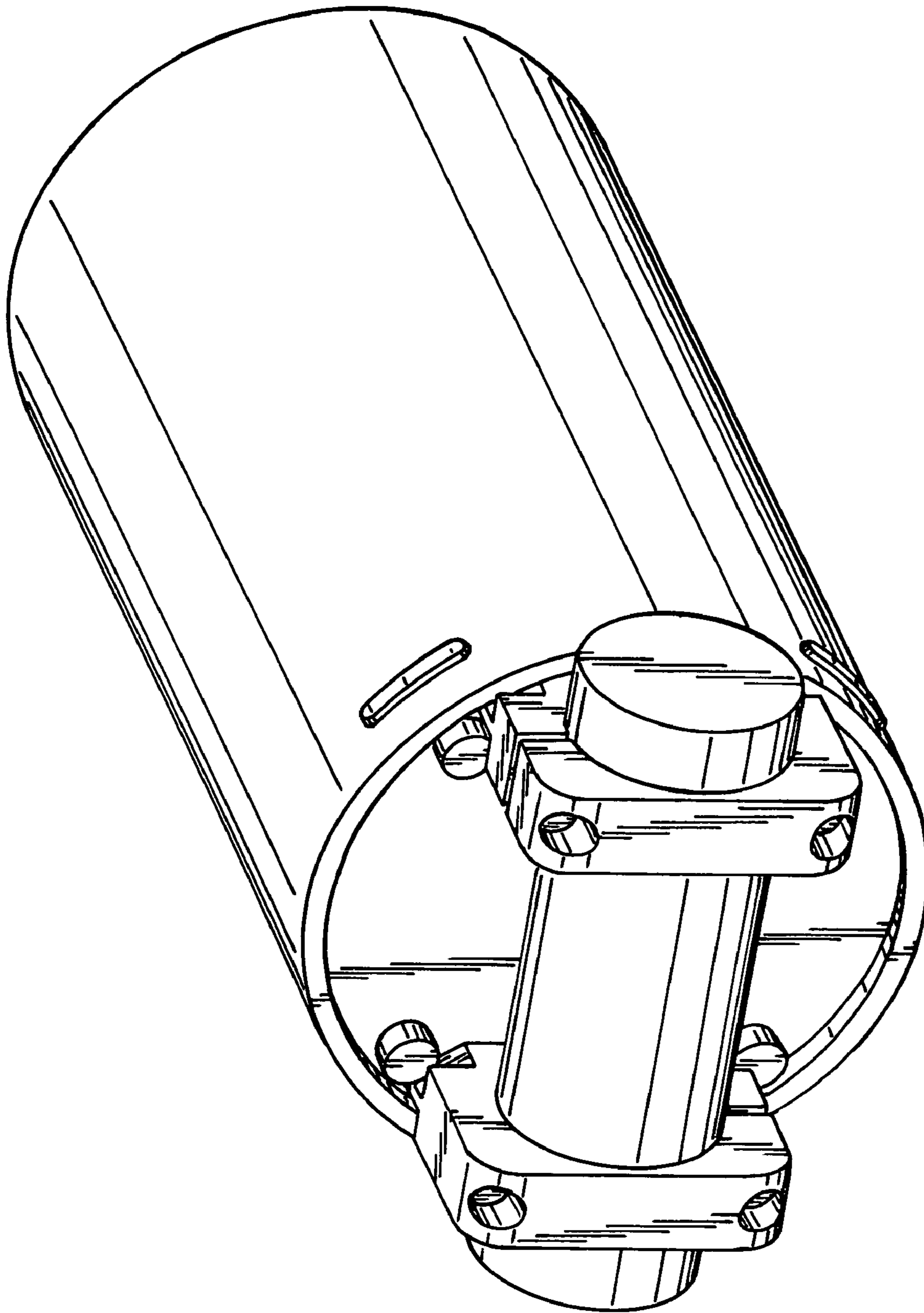
*FIG. 3.*



*FIG. 4.*



*FIG. 5.*



*FIG. 6.*

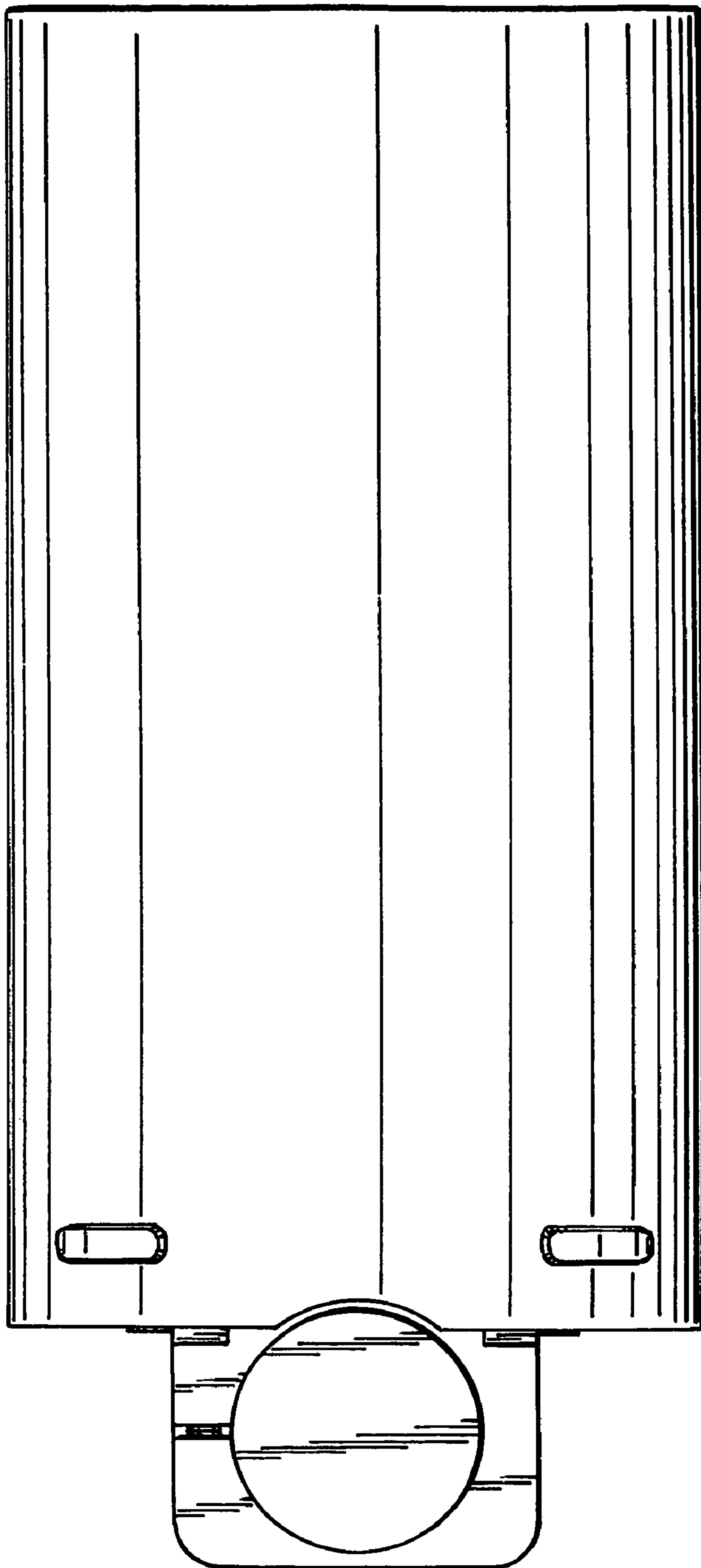


FIG. 7.