



US00D640577S

(12) **United States Design Patent**
Libman et al.

(10) **Patent No.:** **US D640,577 S**

(45) **Date of Patent:** **** *Jun. 28, 2011**

(54) **COVER FOR SURFACE MOUNT CONTROL BOX**

D569,863 S 5/2008 Feldstein et al.
D579,796 S * 11/2008 Schmid et al. D10/49
D579,797 S * 11/2008 Schmid et al. D10/49

(75) Inventors: **David Libman**, Dove Canyon, CA (US);
Tuan Tran, Irvine, CA (US); **Robert Chaloupecky**, Apex, NC (US)

* cited by examiner

(73) Assignee: **RGB Systems, Inc.**, Anaheim, CA (US)

Primary Examiner — Antoine D Davis
(74) *Attorney, Agent, or Firm* — The Hecker Law Group, PLC

(*) Notice: This patent is subject to a terminal disclaimer.

(**) Term: **14 Years**

(57) **CLAIM**
The ornamental design for a cover for a surface mount control box, as shown and described.

(21) Appl. No.: **29/316,153**

(22) Filed: **Aug. 27, 2009**

DESCRIPTION

(51) **LOC (9) Cl.** **10-04**

(52) **U.S. Cl.** **D10/49**

(58) **Field of Classification Search** D10/48,
D10/49, 99-103; D13/162; 55/270, 274,
55/279, DIG. 7, 34; 62/176.6, 125-130,
62/78, 180, 186; 73/23.2, 23.34, 31.01, 31.02,
73/431, 170.16-170.19, 170.21-170.25,
73/863.12, 29, 29.02, 335.01-335.14; 236/46 R,
236/47, 94, 44 C, 44 R, 49.3, 44 A, 96; 337/112,
337/327, 360; 340/602, 627, 632, 634; 361/346;
364/141, 146, 147, 188, 420, 557; 454/229,
454/239, 256, 257, 258; 700/18, 159, 181
See application file for complete search history.

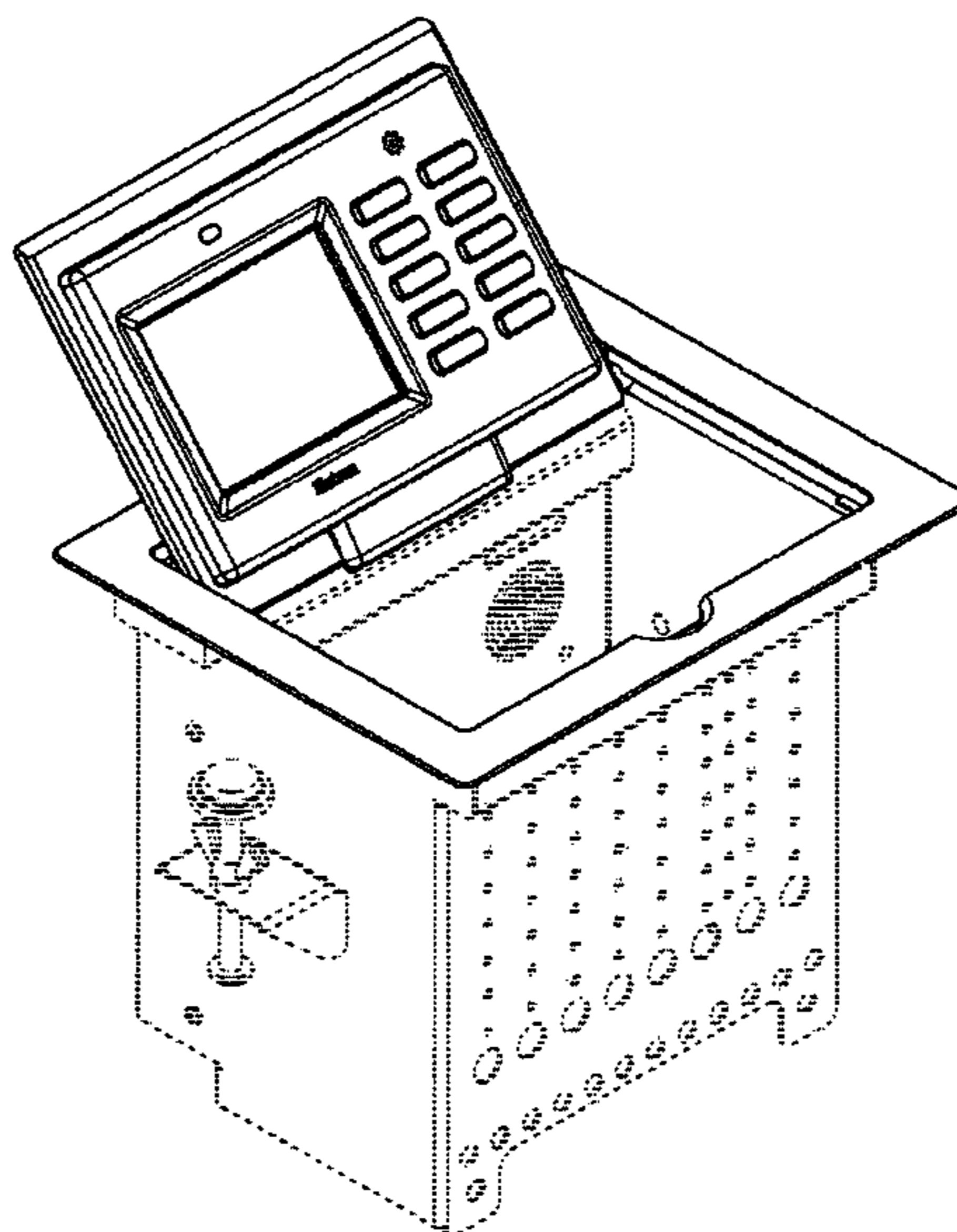
FIG. 1 is a perspective view of a cover for a surface mount control box of the present invention.
FIG. 2 is a top view of a cover for a surface mount control box of FIG. 1;
FIG. 3 is a perspective view of the cover for a surface mount control box of FIG. 1;
FIG. 4 is a left side view of the cover for a surface mount control box of FIG. 1;
FIG. 5 is a front view of the cover for a surface mount control box of FIG. 1;
FIG. 6 is a right side view of the cover for a surface mount control box of FIG. 1;
FIG. 7 is a perspective view of the cover for a surface mount control box of FIG. 1;
FIG. 8 is a bottom view of the cover for a surface mount control box of FIG. 1; and,
FIG. 9 is a perspective view of the cover for a surface mount control box of FIG. 1.
The broken line showing of structural features is included for the purpose of illustrating non-claimed subject matter and forms no part of the claimed design.

(56) **References Cited**

U.S. PATENT DOCUMENTS

D421,399 S * 3/2000 Bennett et al. D10/49
D431,199 S * 9/2000 Bennett et al. D10/49
6,457,802 B2 * 10/2002 Jackson 347/35
6,525,667 B1 * 2/2003 Fujita et al. 340/815.4
D513,493 S 1/2006 Feldstein et al.
D528,444 S * 9/2006 Horie et al. D10/49
D559,710 S * 1/2008 Jacoby et al. D10/49

1 Claim, 9 Drawing Sheets



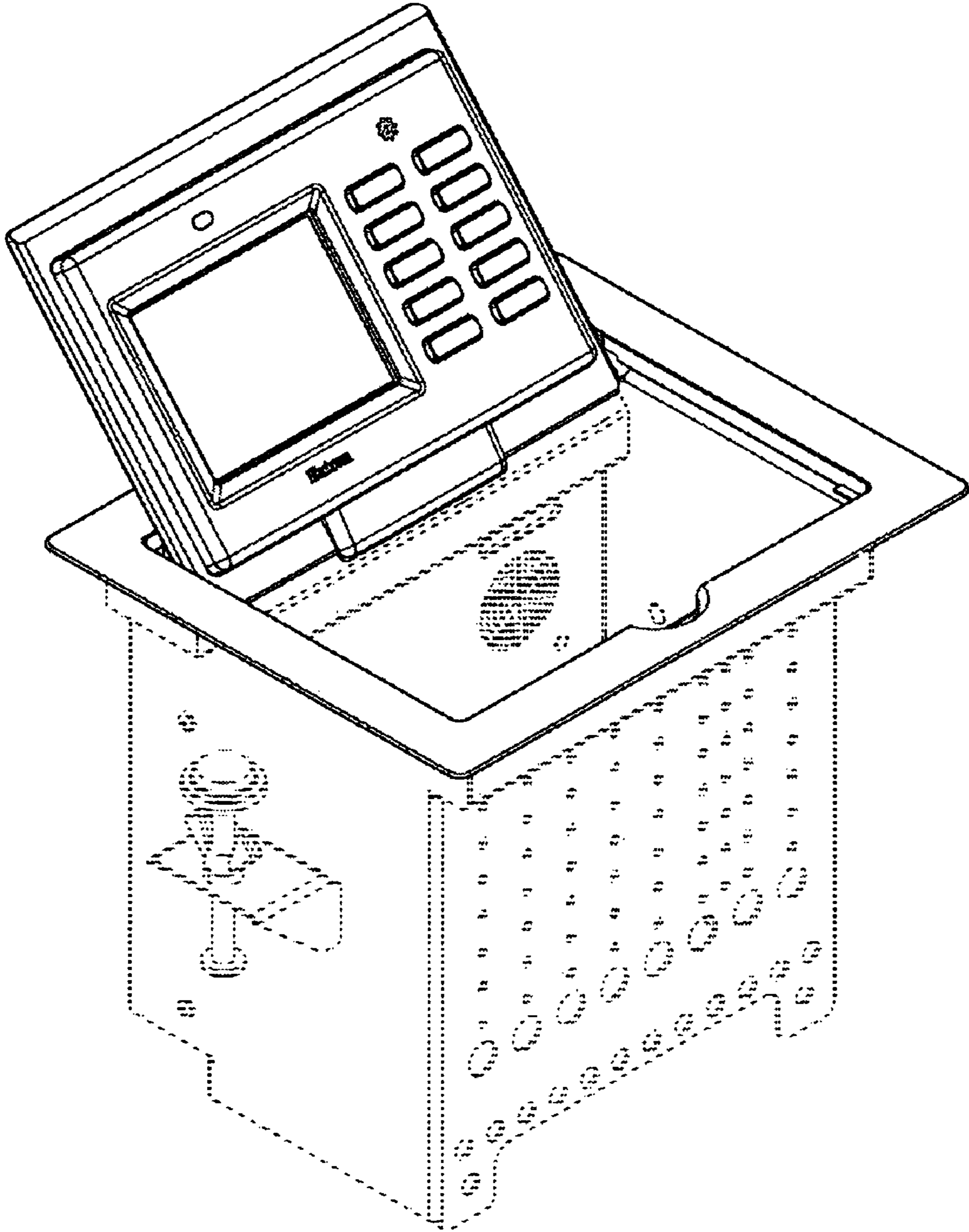


Figure 1

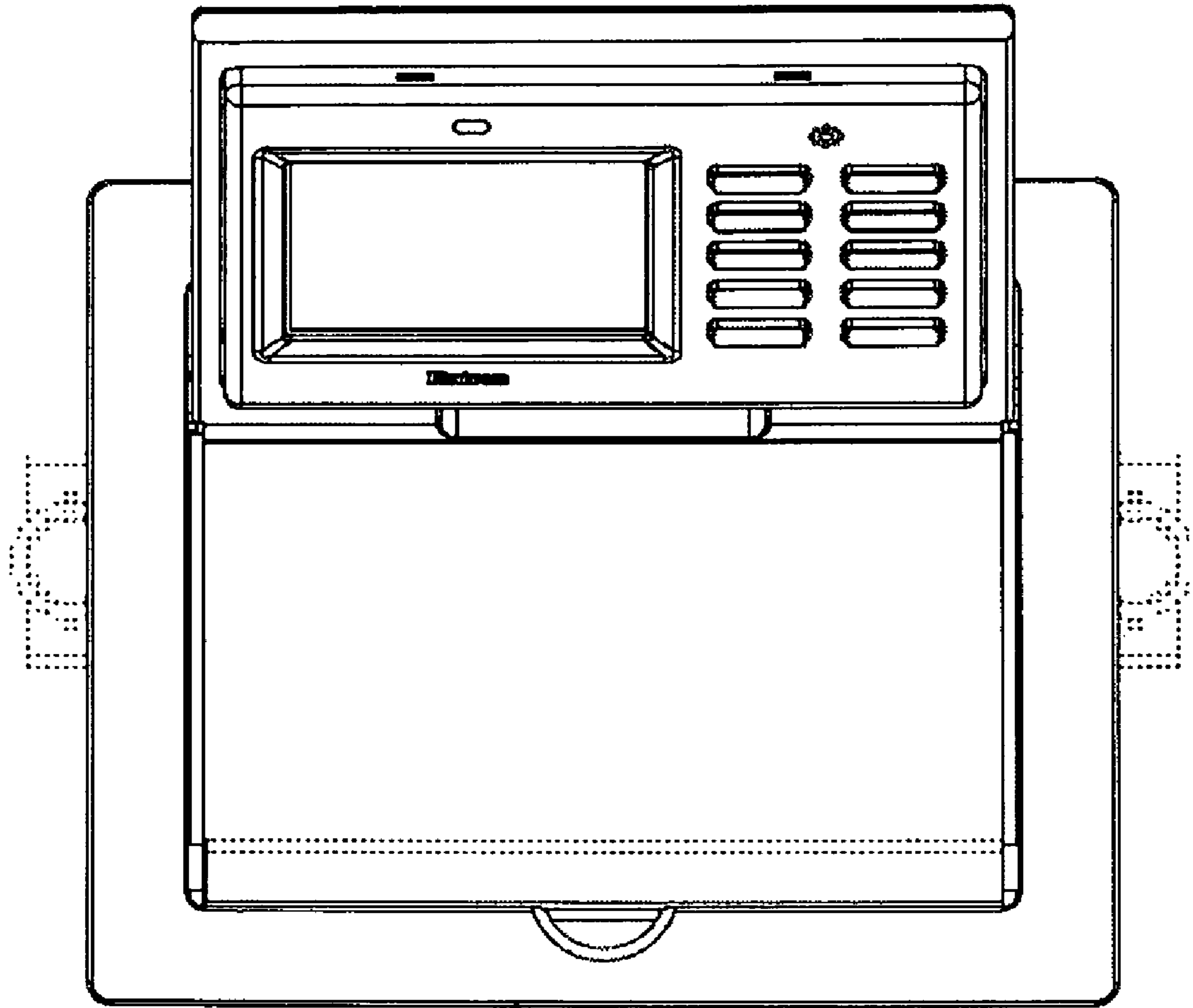


Figure 2

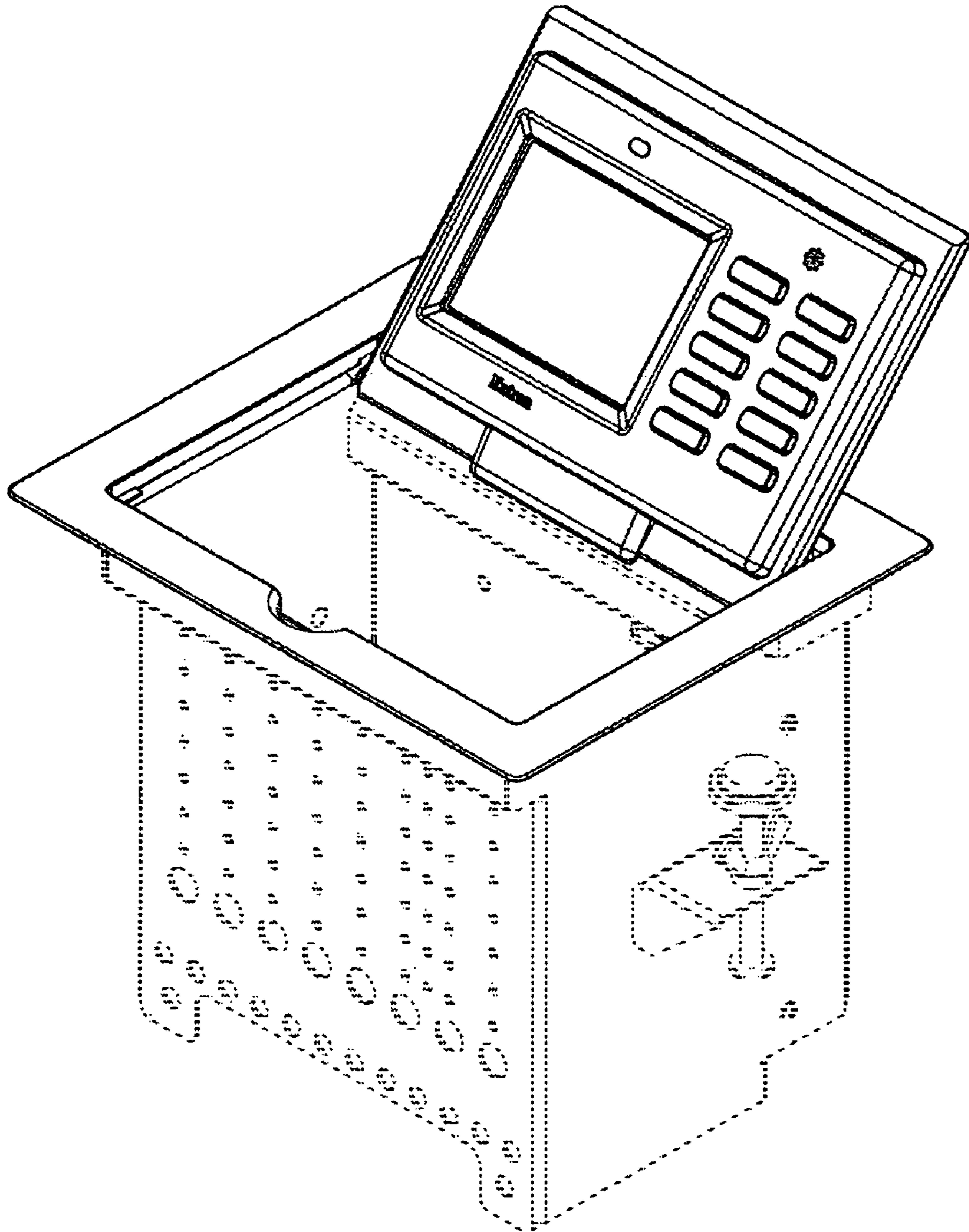


Figure 3

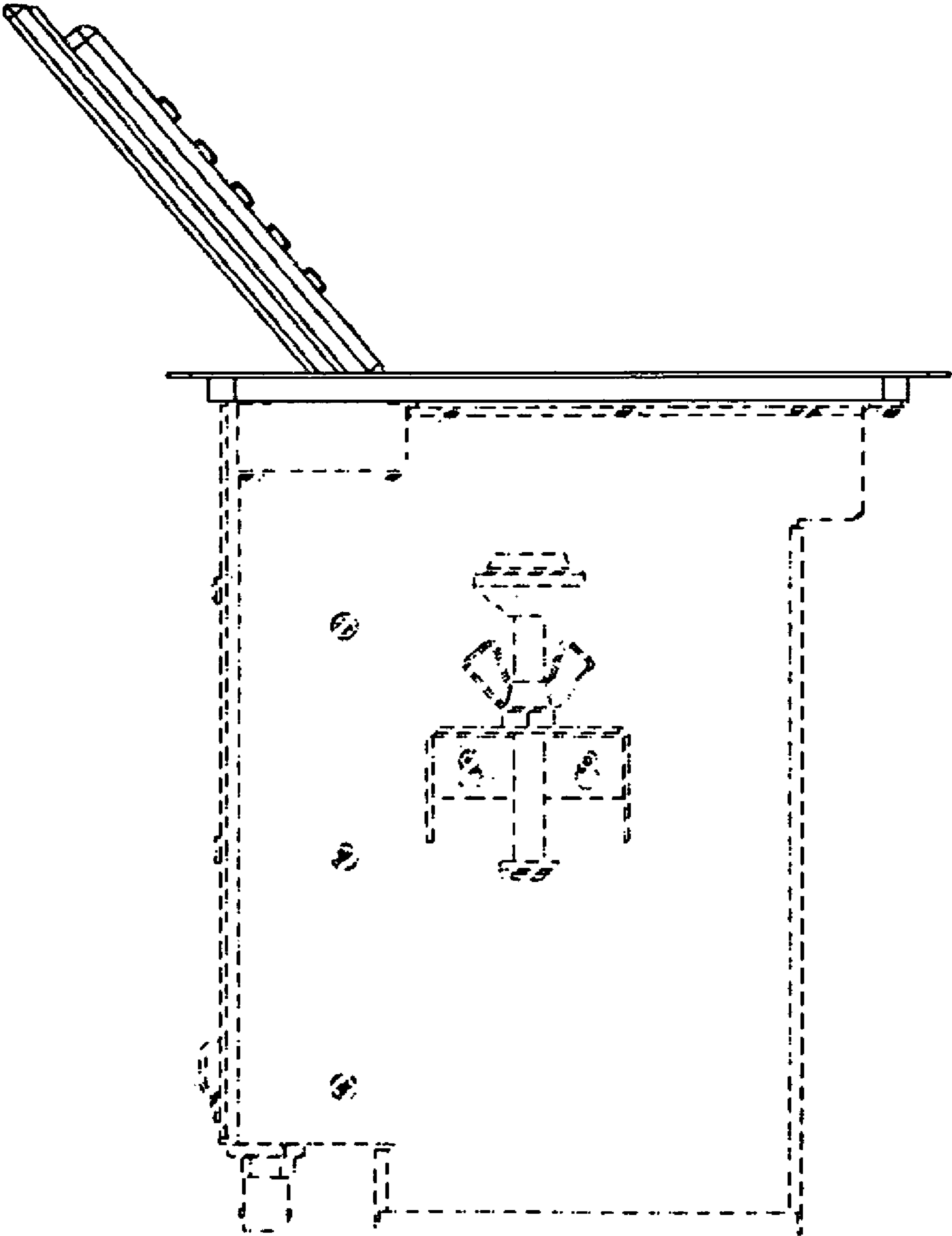


Figure 4

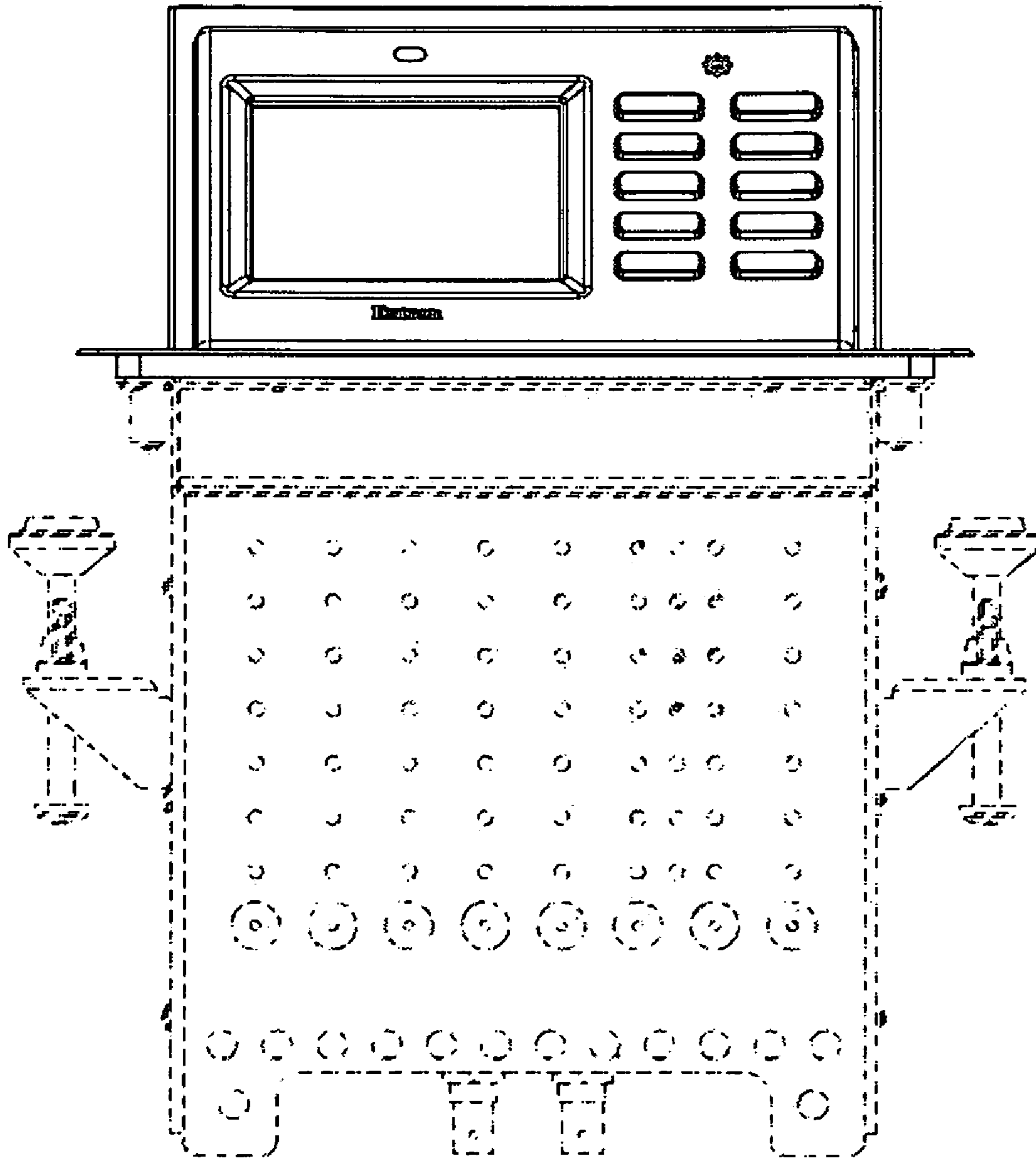


Figure 5

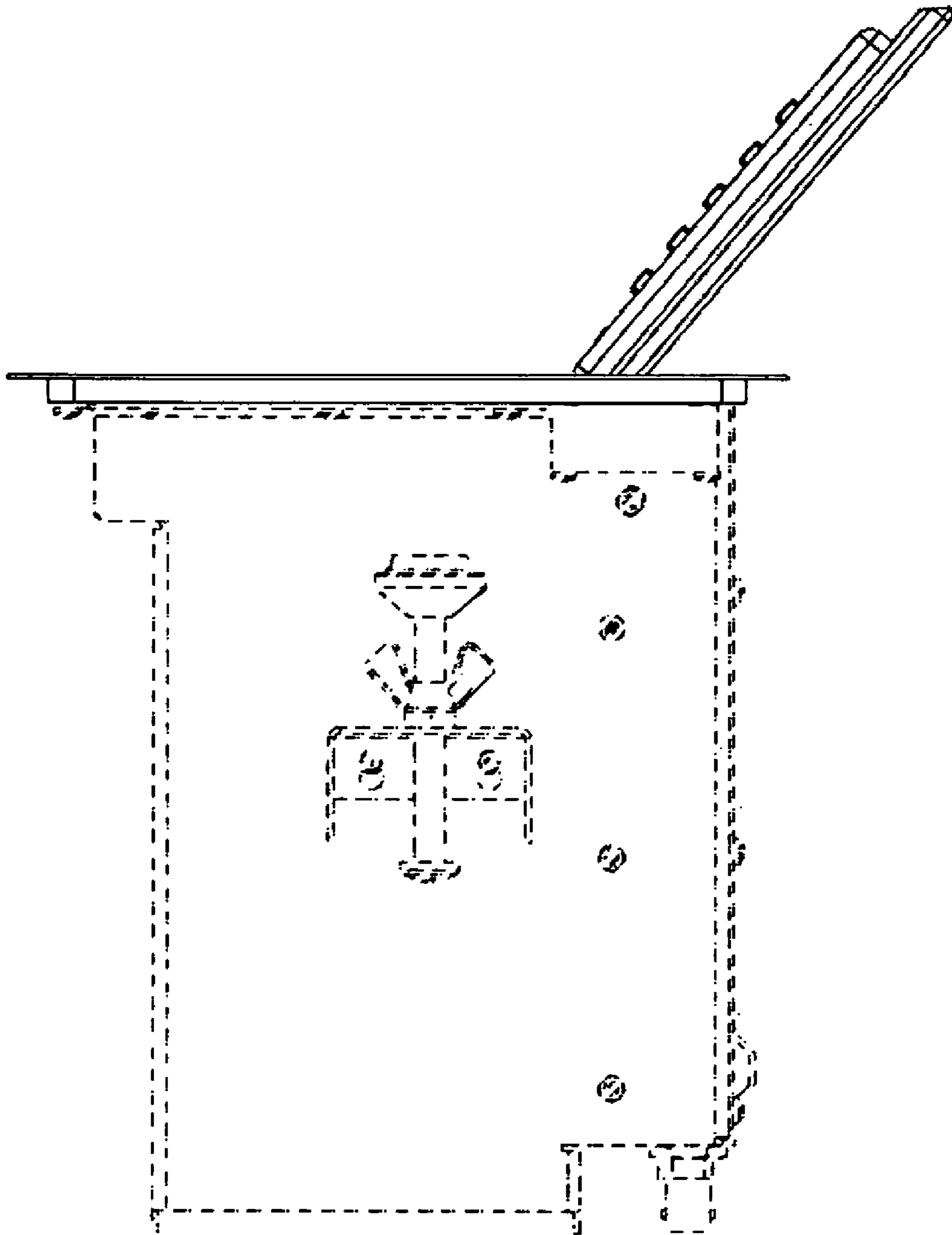


Figure 6

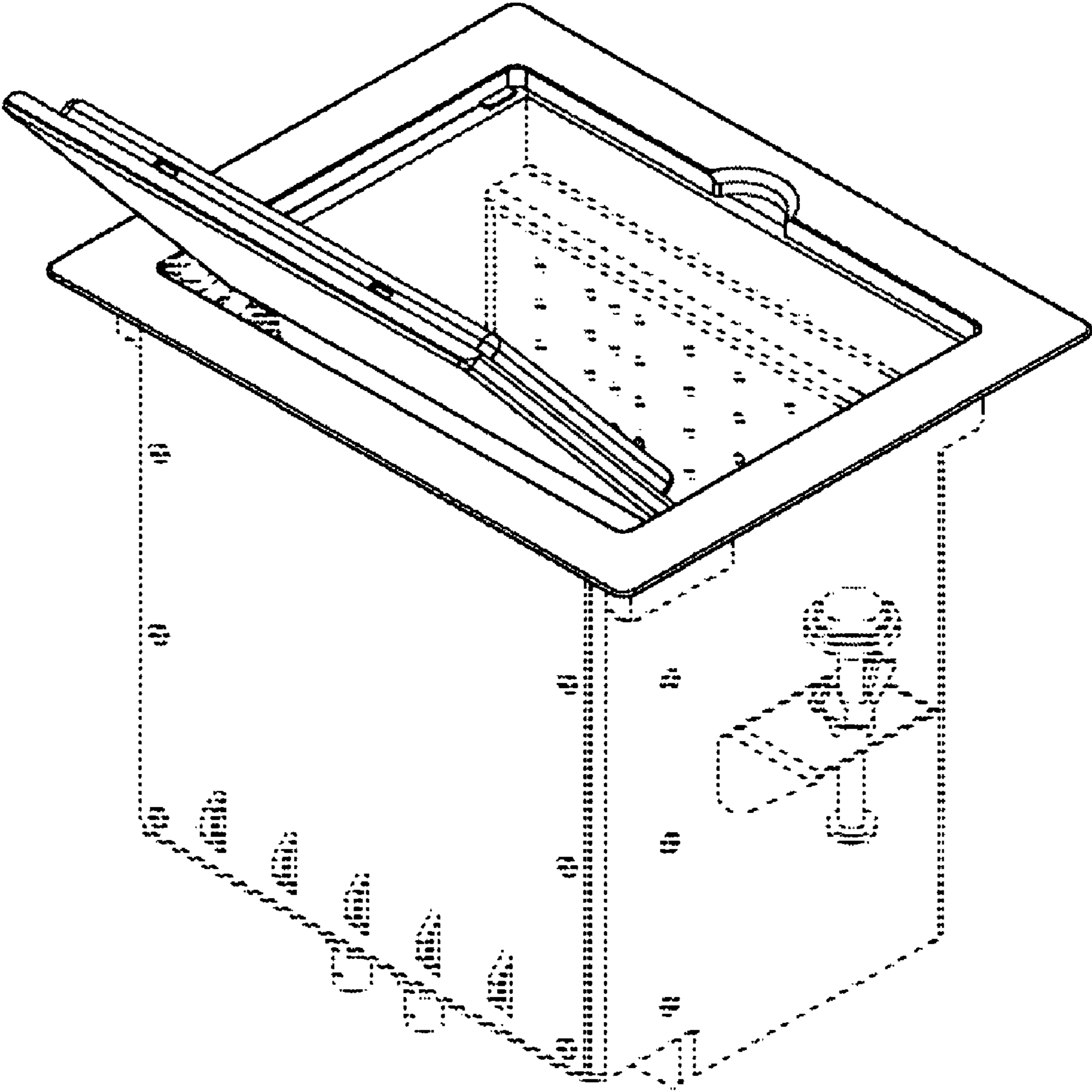


Figure 7

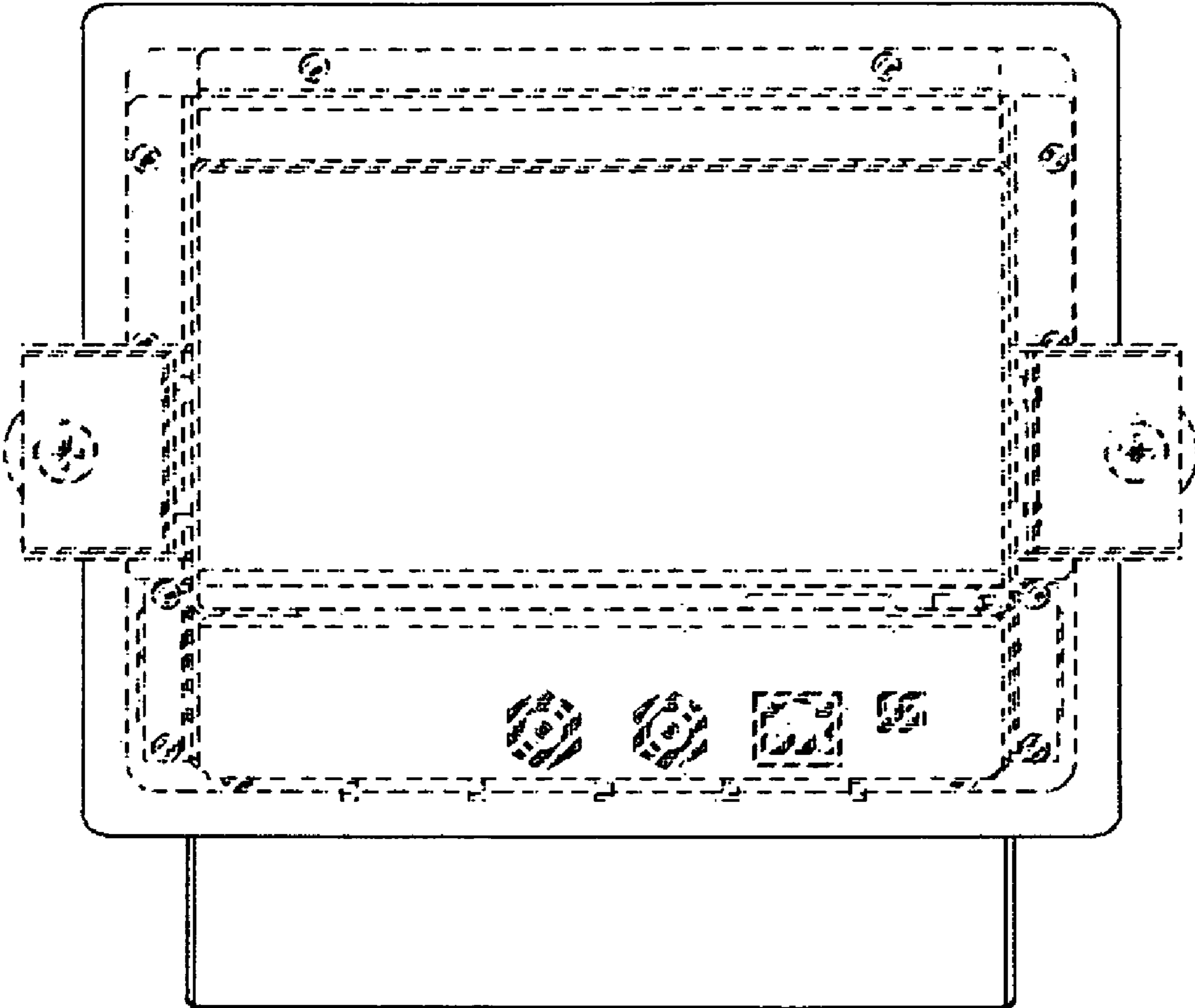


Figure 8

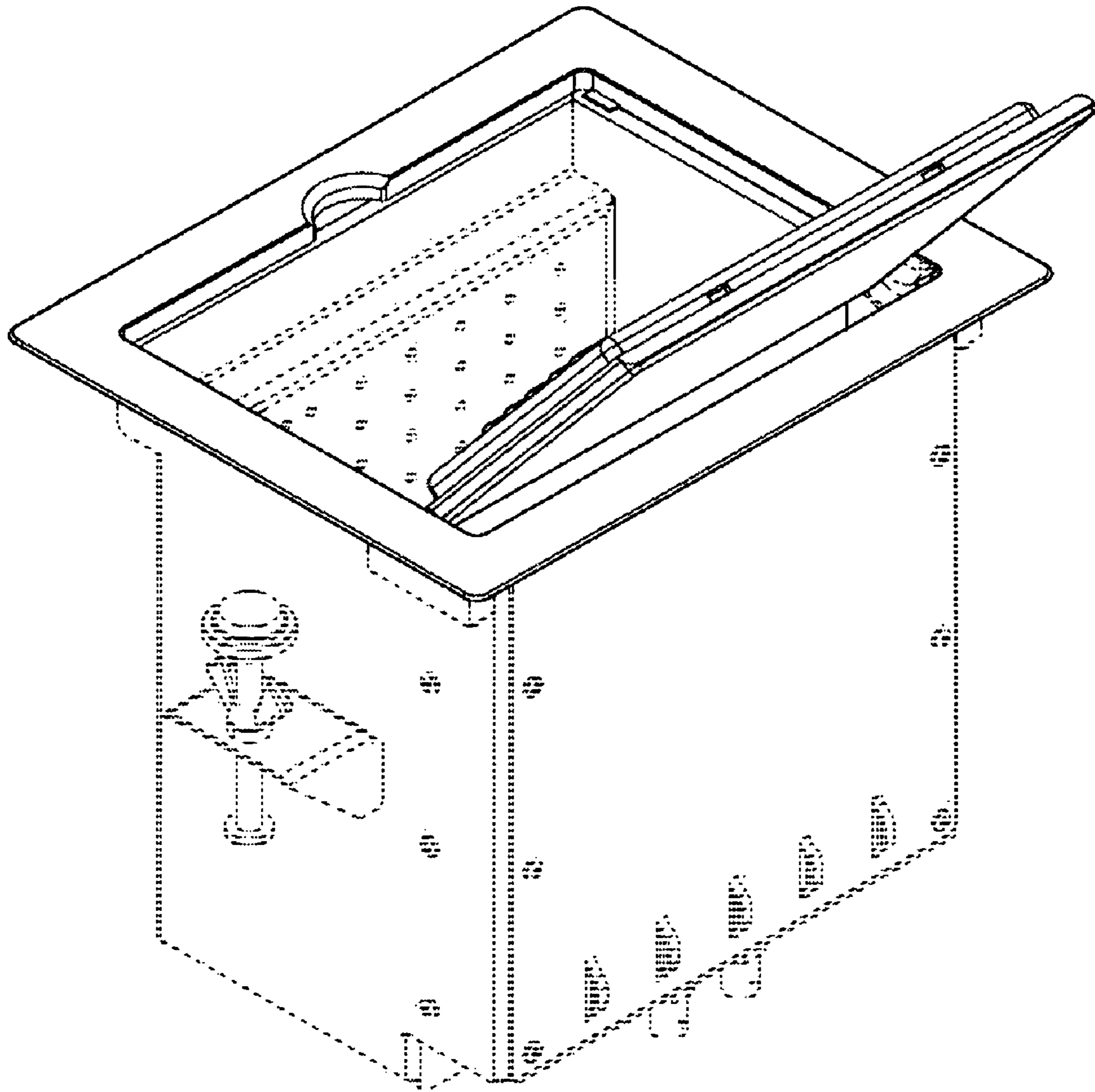


Figure 9