



US00D640576S

(12) **United States Design Patent**
Nashimoto

(10) **Patent No.:** **US D640,576 S**

(45) **Date of Patent:** **** Jun. 28, 2011**

(54) **WATCH CASE FOR A WRIST WATCH**

(75) Inventor: **Mahito Nashimoto**, Paris (FR)

(73) Assignee: **Swarovski Aktiengesellschaft**, Triesen (LI)

(**) Term: **14 Years**

(21) Appl. No.: **29/384,655**

(22) Filed: **Feb. 2, 2011**

(30) **Foreign Application Priority Data**

Oct. 13, 2010 (EM) 001767401-0006

(51) **LOC (9) Cl.** **10-02**

(52) **U.S. Cl.** **D10/38**

(58) **Field of Classification Search** D10/30-39;
368/276, 281, 282, 288

See application file for complete search history.

(56) **References Cited**

U.S. PATENT DOCUMENTS

D292,678 S	*	11/1987	Takeichi	D10/39
D312,793 S	*	12/1990	Fujiwara	D10/39
D323,624 S	*	2/1992	Moriai	D10/38
D325,535 S	*	4/1992	Yamamoto	D10/39
D348,010 S	*	6/1994	Riley	D10/30

D383,396 S	*	9/1997	Houlihan	D10/30
D399,757 S	*	10/1998	Riley et al.	D10/30
D399,763 S	*	10/1998	Rabassa	D10/38
D412,287 S	*	7/1999	Cattin	D10/30
D418,427 S	*	1/2000	Fichter	D10/30
D597,420 S	*	8/2009	Kamata	D10/32
D608,225 S	*	1/2010	Giroud	D10/39
D632,979 S	*	2/2011	Chastaingt	D10/38

* cited by examiner

Primary Examiner — Lucy Lieberman

(74) *Attorney, Agent, or Firm* — Wenderoth, Lind & Ponack, L.L.P.

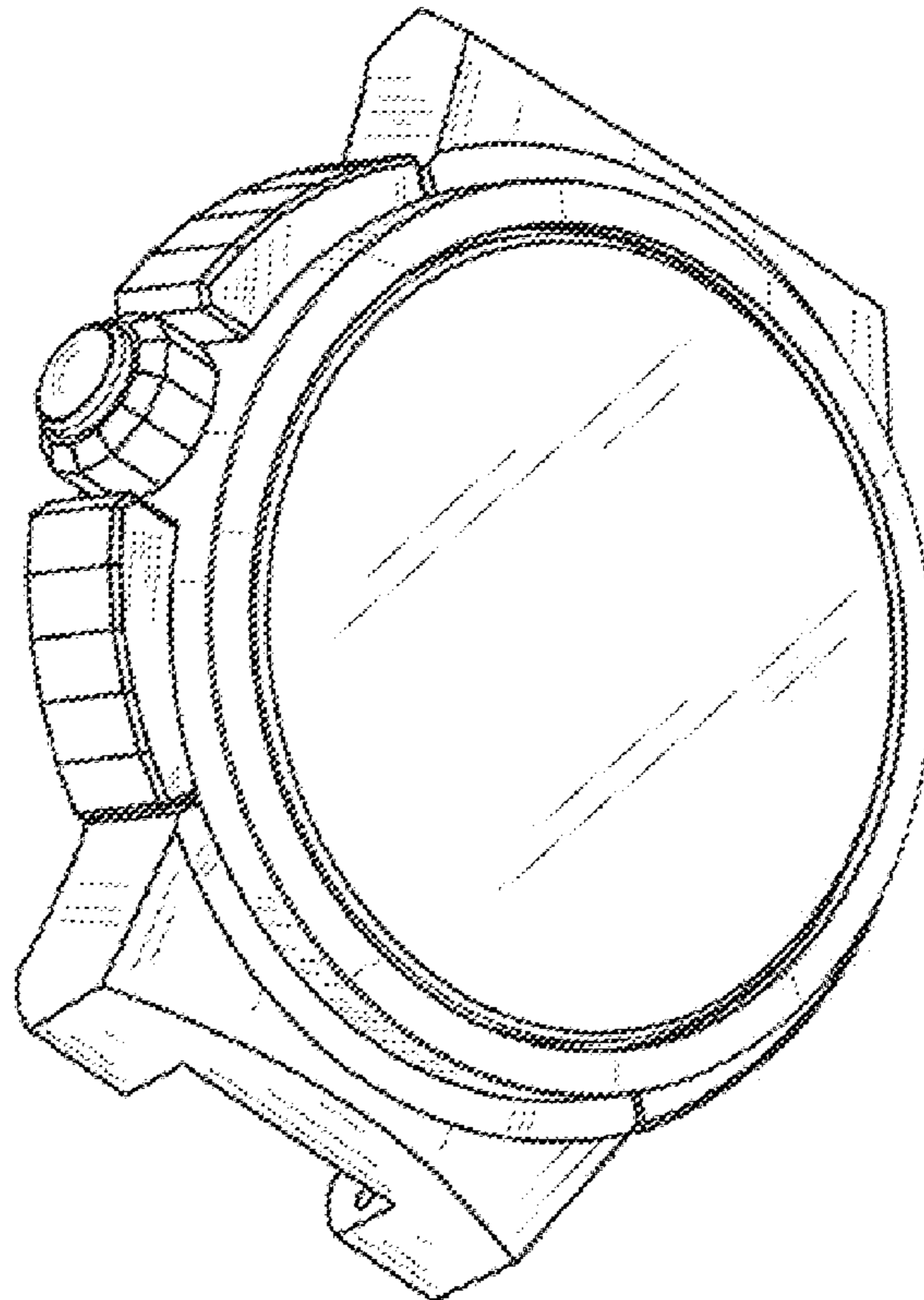
(57) **CLAIM**

The ornamental design for a watch case for a wrist watch, as shown and described.

DESCRIPTION

FIG. 1 is a top view of the invention;
FIG. 2 is a bottom view of the invention;
FIG. 3 is a right side view of the invention;
FIG. 4 is a left side view of the invention;
FIG. 5 is a front view of the invention;
FIG. 6 is a rear view of the invention; and,
FIG. 7 is a perspective view of the invention.

1 Claim, 2 Drawing Sheets



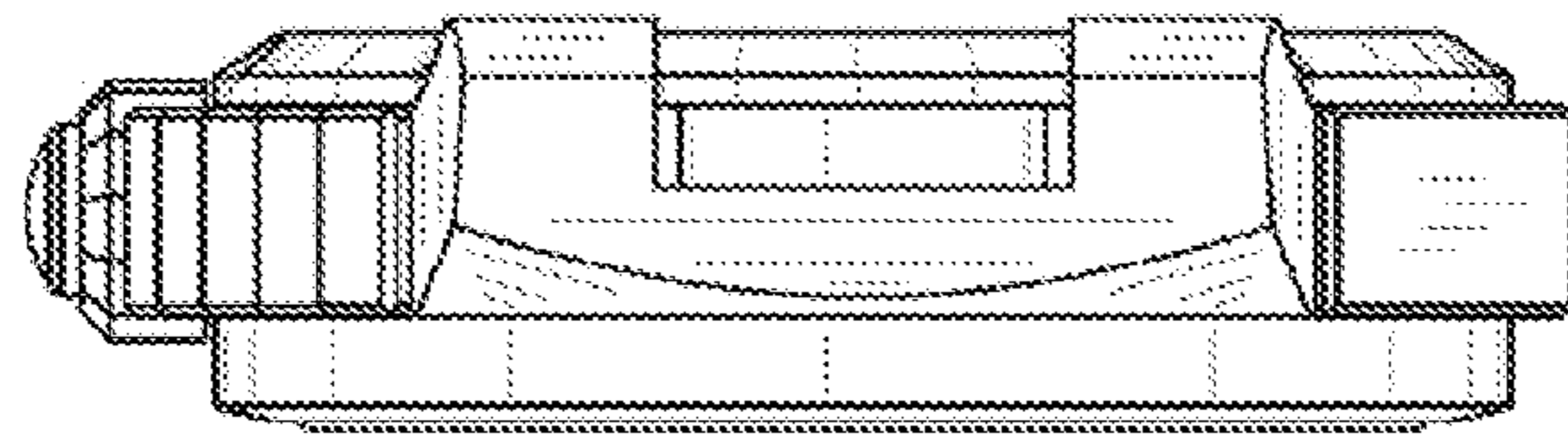


FIG. 1

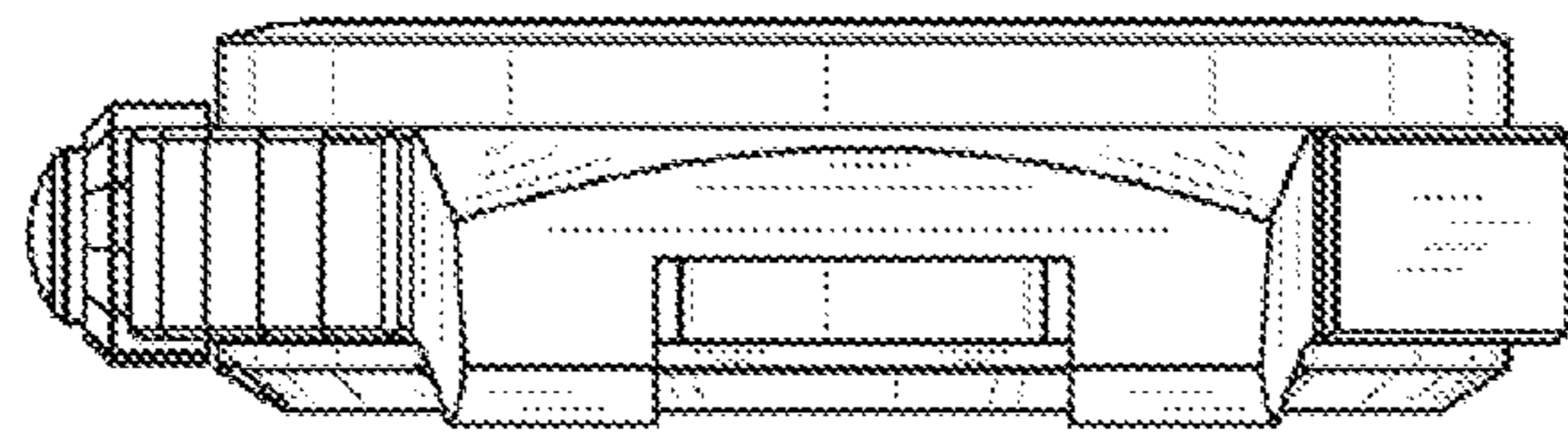


FIG. 2

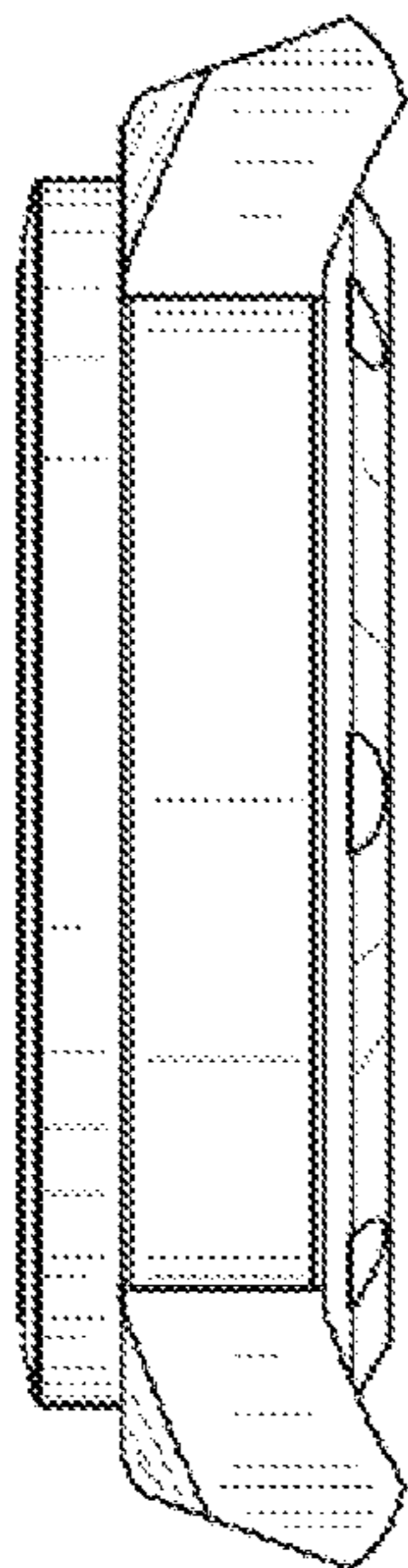


FIG. 3

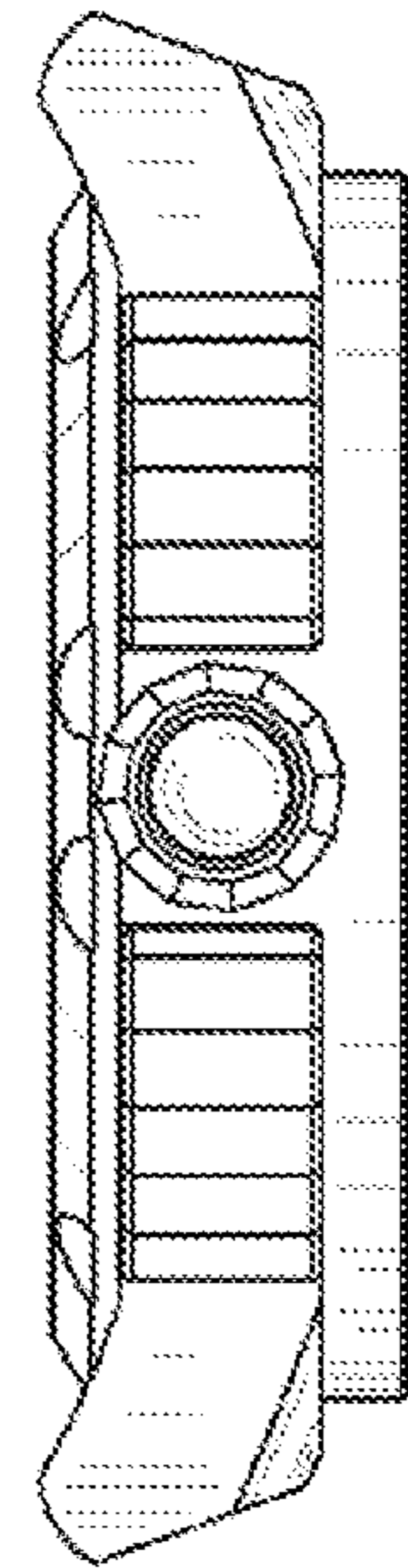


FIG. 4

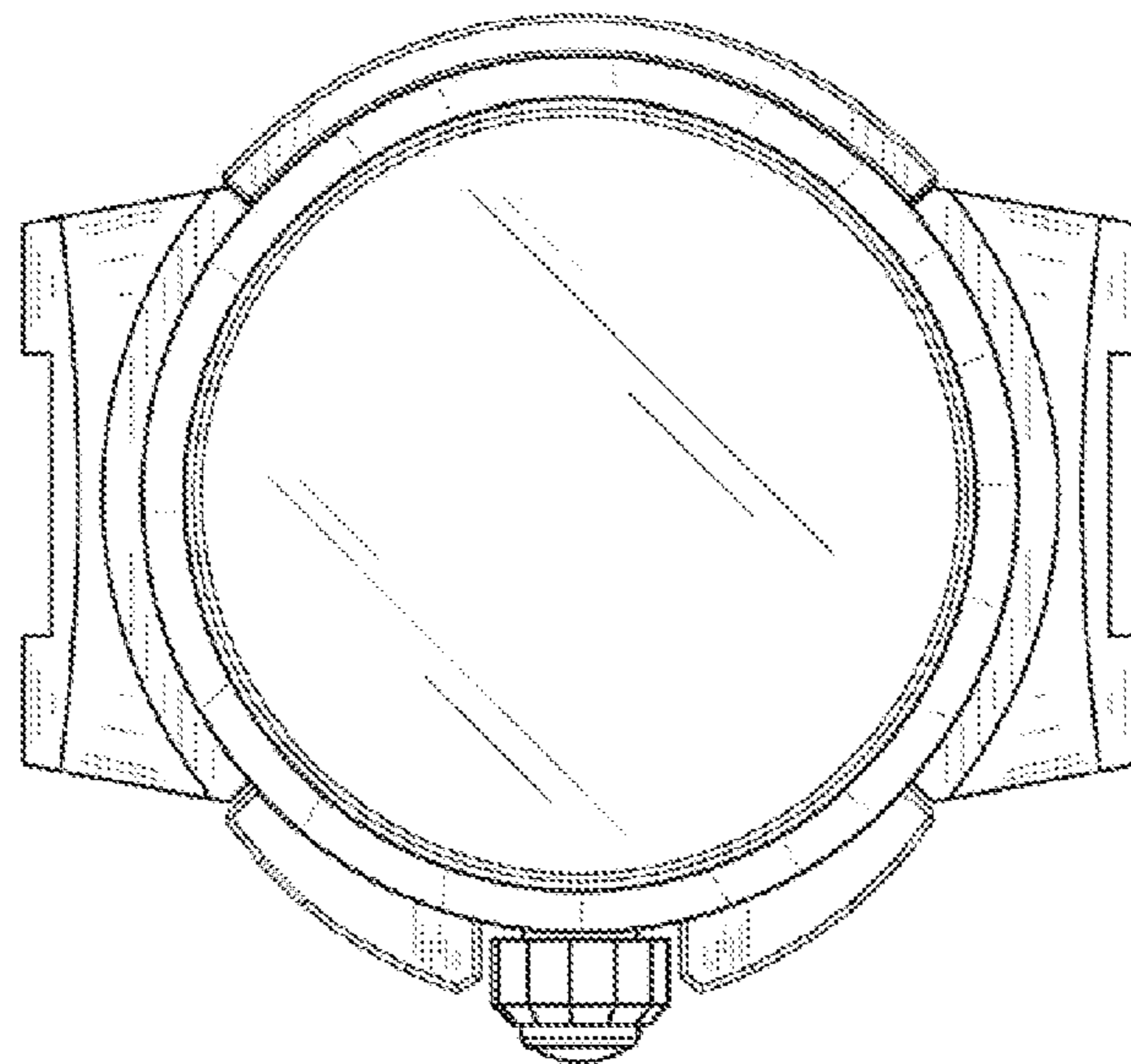
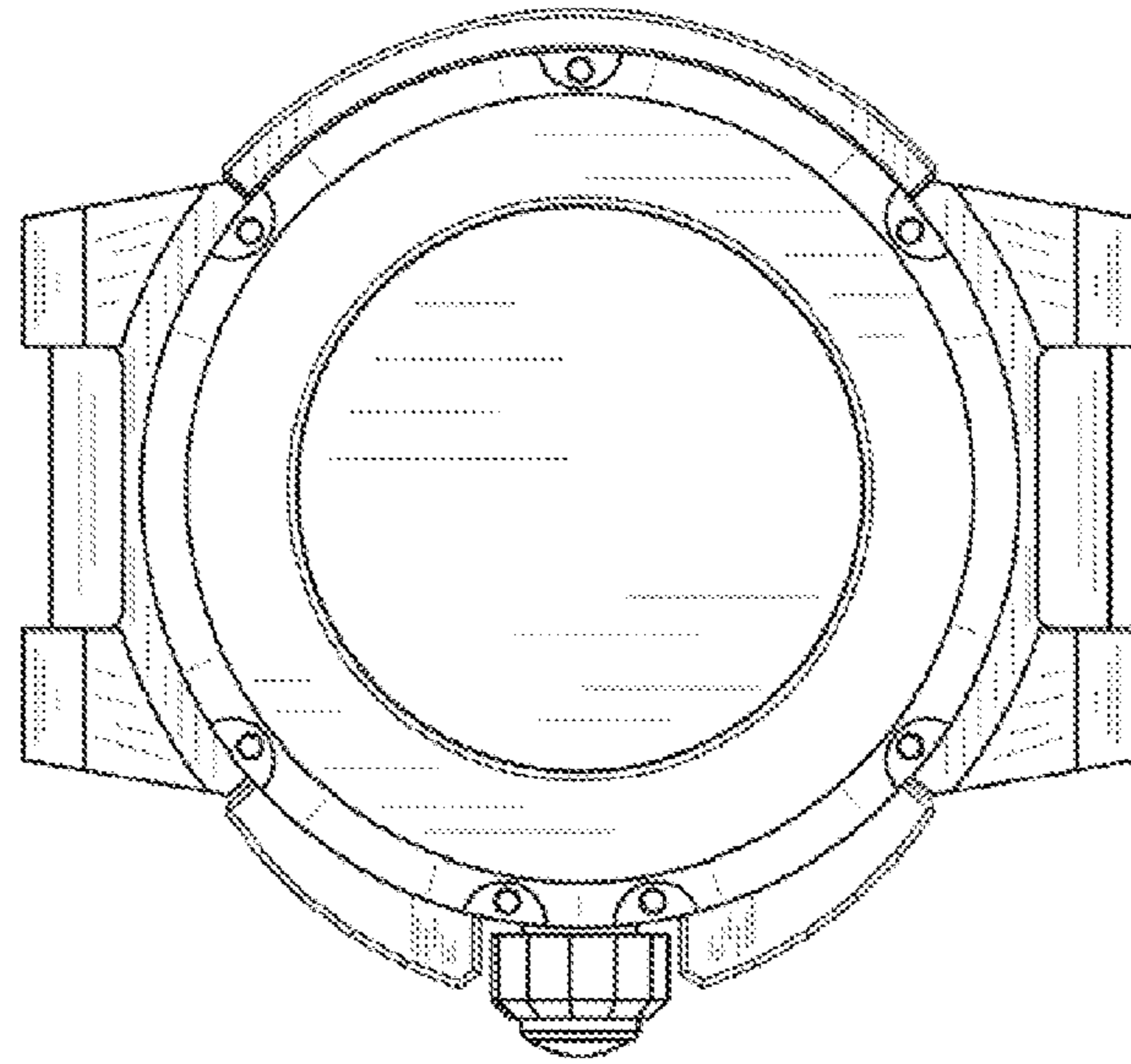
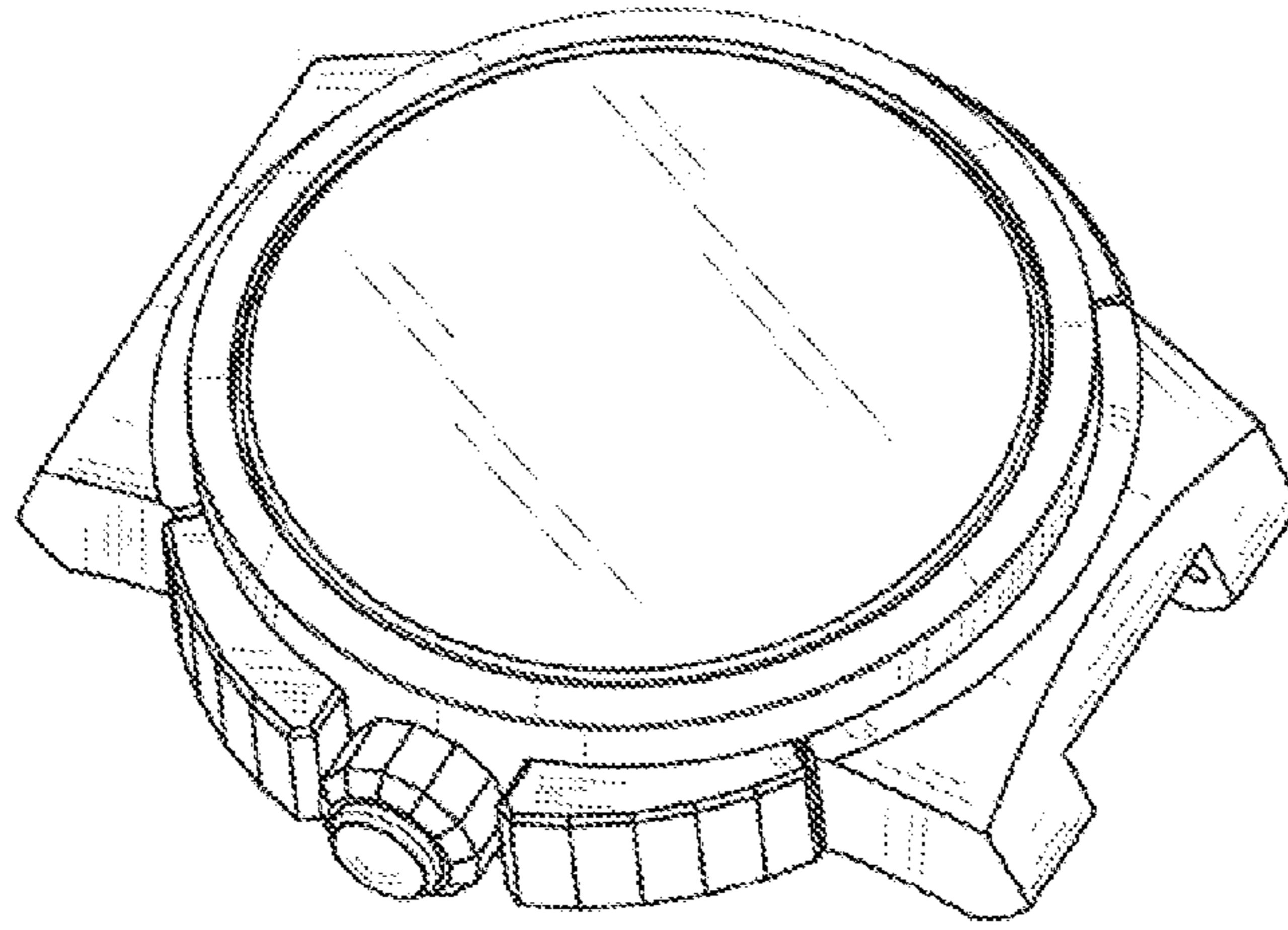


FIG. 5

FIG. 6

FIG. 7