



US00D640575S

(12) **United States Design Patent**  
**Nashimoto**

(10) **Patent No.:** **US D640,575 S**  
(45) **Date of Patent:** **\*\* Jun. 28, 2011**

(54) **WRIST WATCH**

(75) Inventor: **Mahito Nashimoto**, Paris (FR)

(73) Assignee: **Swarovski Aktiengesellschaft**, Triesen (LI)

(\*\*) Term: **14 Years**

(21) Appl. No.: **29/384,658**

(22) Filed: **Feb. 2, 2011**

(30) **Foreign Application Priority Data**

Oct. 13, 2010 (EP) ..... 001767401-0001

(51) **LOC (9) Cl.** ..... **10-02**

(52) **U.S. Cl.** ..... **D10/32**

(58) **Field of Classification Search** ..... D10/30-39;  
368/276, 281, 282, 294, 295; D11/3  
See application file for complete search history.

(56) **References Cited**

**U.S. PATENT DOCUMENTS**

D297,817 S *	9/1988	Guan .....	D10/30
D327,440 S *	6/1992	Galli .....	D11/32
D331,884 S *	12/1992	Wunderman .....	D10/32
D349,468 S *	8/1994	Souren .....	D11/3

D382,815 S *	8/1997	Riley .....	D10/30
D527,283 S *	8/2006	De Witt .....	D10/38
D562,704 S *	2/2008	Lalo .....	D10/32
D562,723 S *	2/2008	Lalo .....	D11/94
D563,256 S *	3/2008	Borraccino et al. ....	D11/3
D605,533 S *	12/2009	Schoepfer .....	D10/38
D607,755 S *	1/2010	Kummer et al. ....	D10/38
D608,661 S *	1/2010	Bulgari .....	D10/32
D608,665 S *	1/2010	Perrenoud .....	D10/38
D610,472 S *	2/2010	Nashimoto .....	D10/32

\* cited by examiner

*Primary Examiner* — Lucy Lieberman

(74) *Attorney, Agent, or Firm* — Wenderoth, Lind & Ponack, L.L.P.

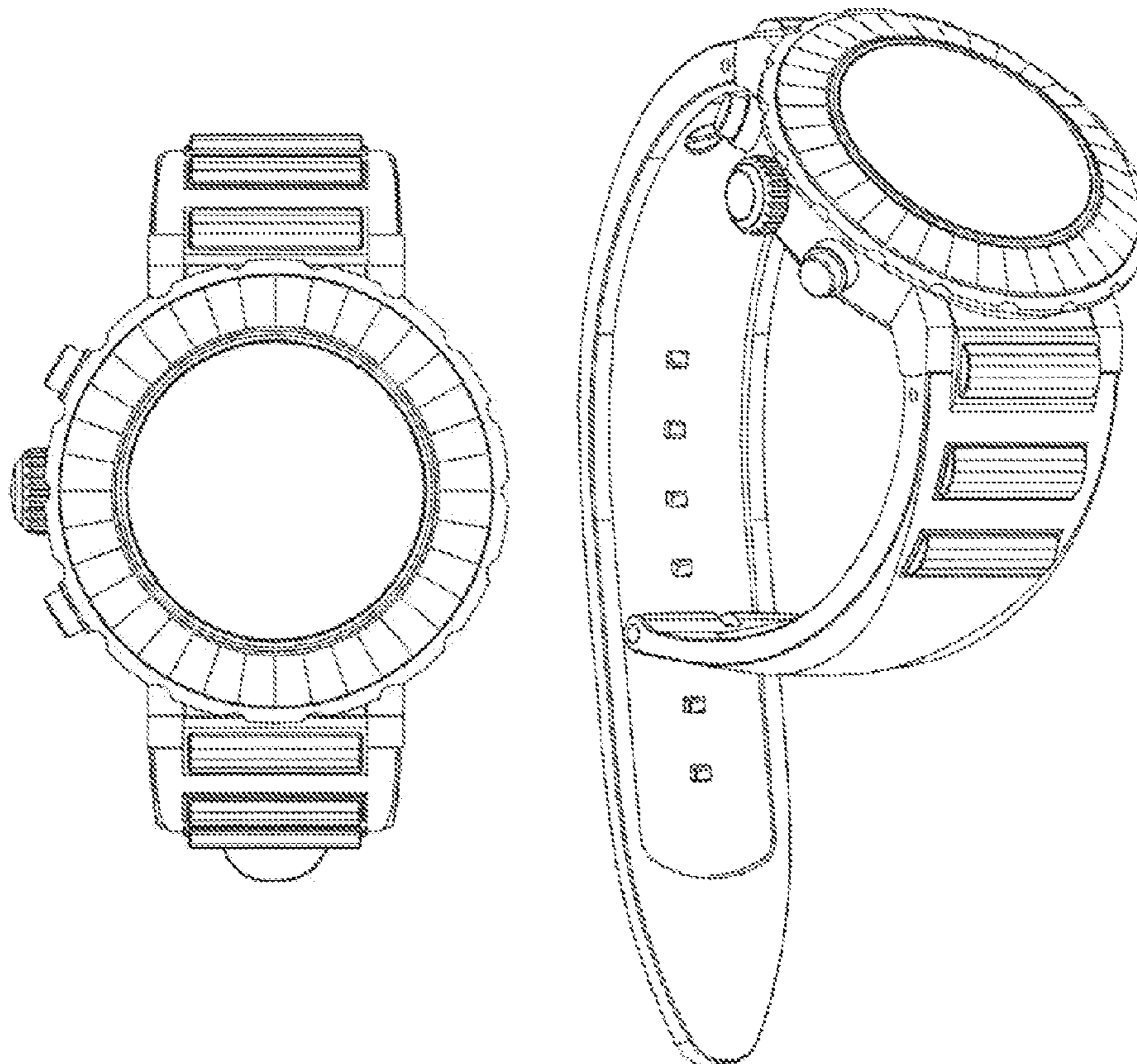
(57) **CLAIM**

The ornamental design for a wrist watch, as shown and described.

**DESCRIPTION**

FIG. 1 is a bottom view of a wrist watch showing my new design;  
FIG. 2 is a rear view of the invention;  
FIG. 3 is a left side view of the invention;  
FIG. 4 is a right side view of the invention;  
FIG. 5 is a top view of the wrist watch;  
FIG. 6 is a front view of the invention; and,  
FIG. 7 is a perspective view of the invention.

**1 Claim, 5 Drawing Sheets**



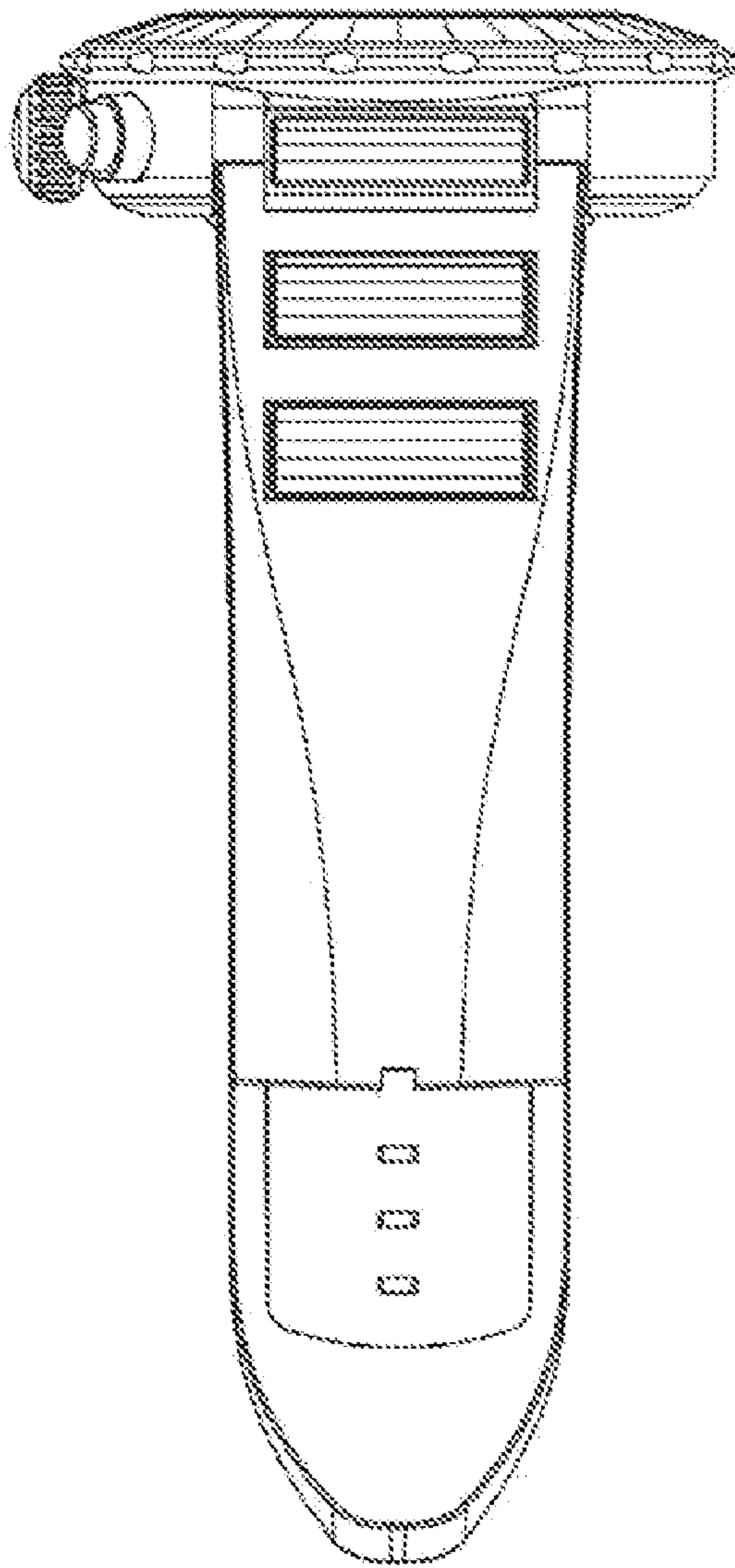


Fig. 1

Fig. 2

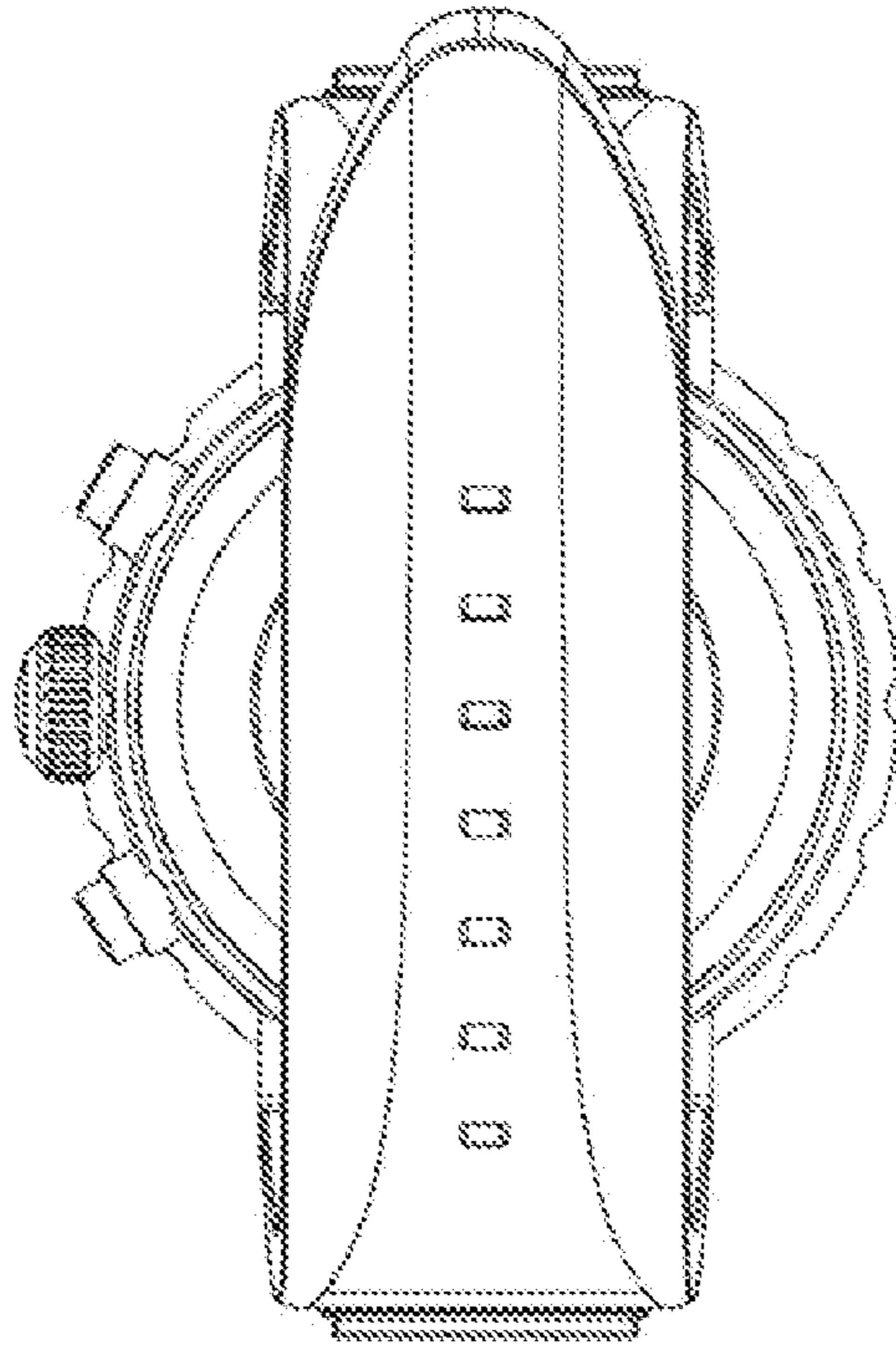


Fig. 6

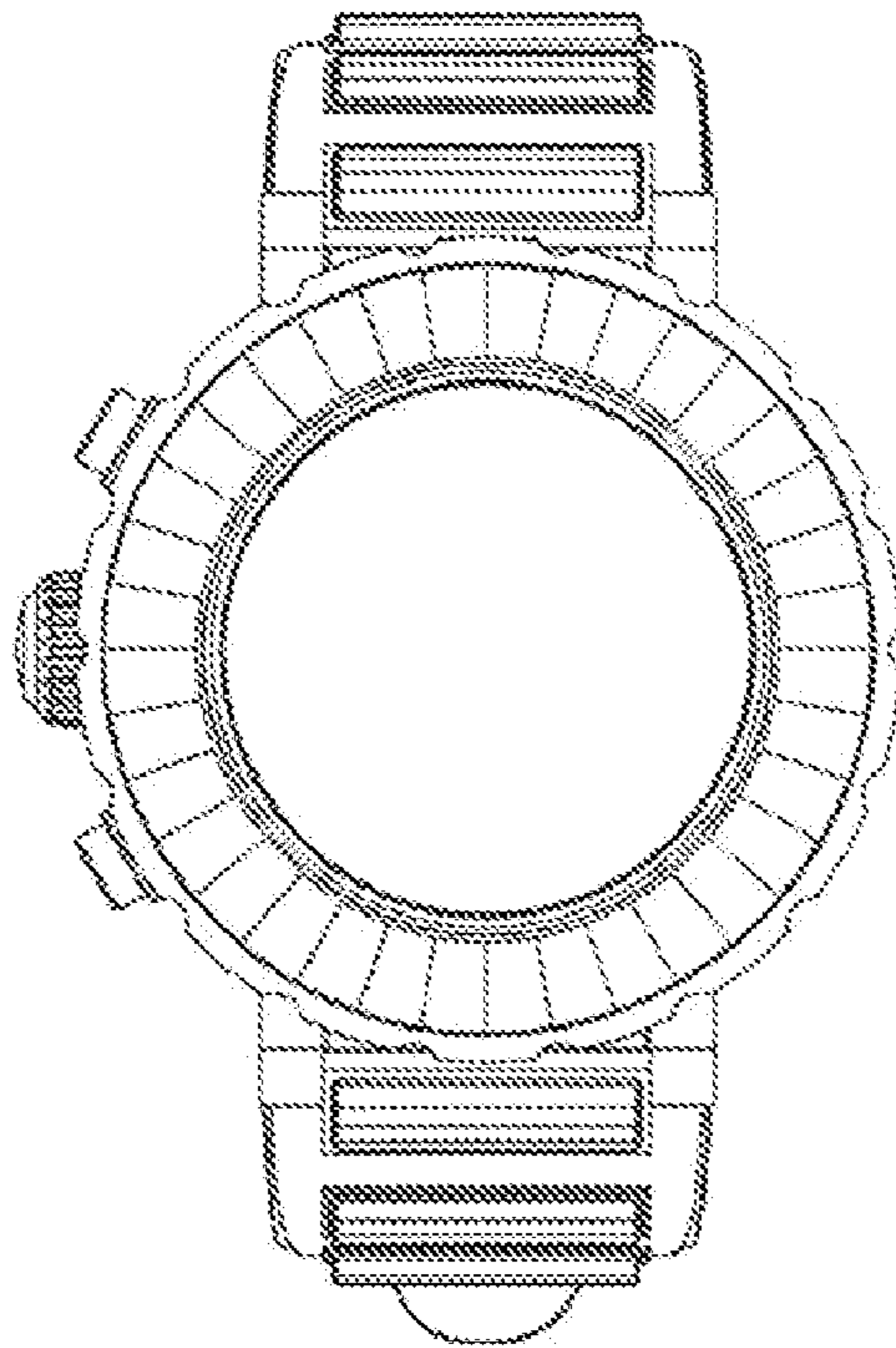


Fig. 3

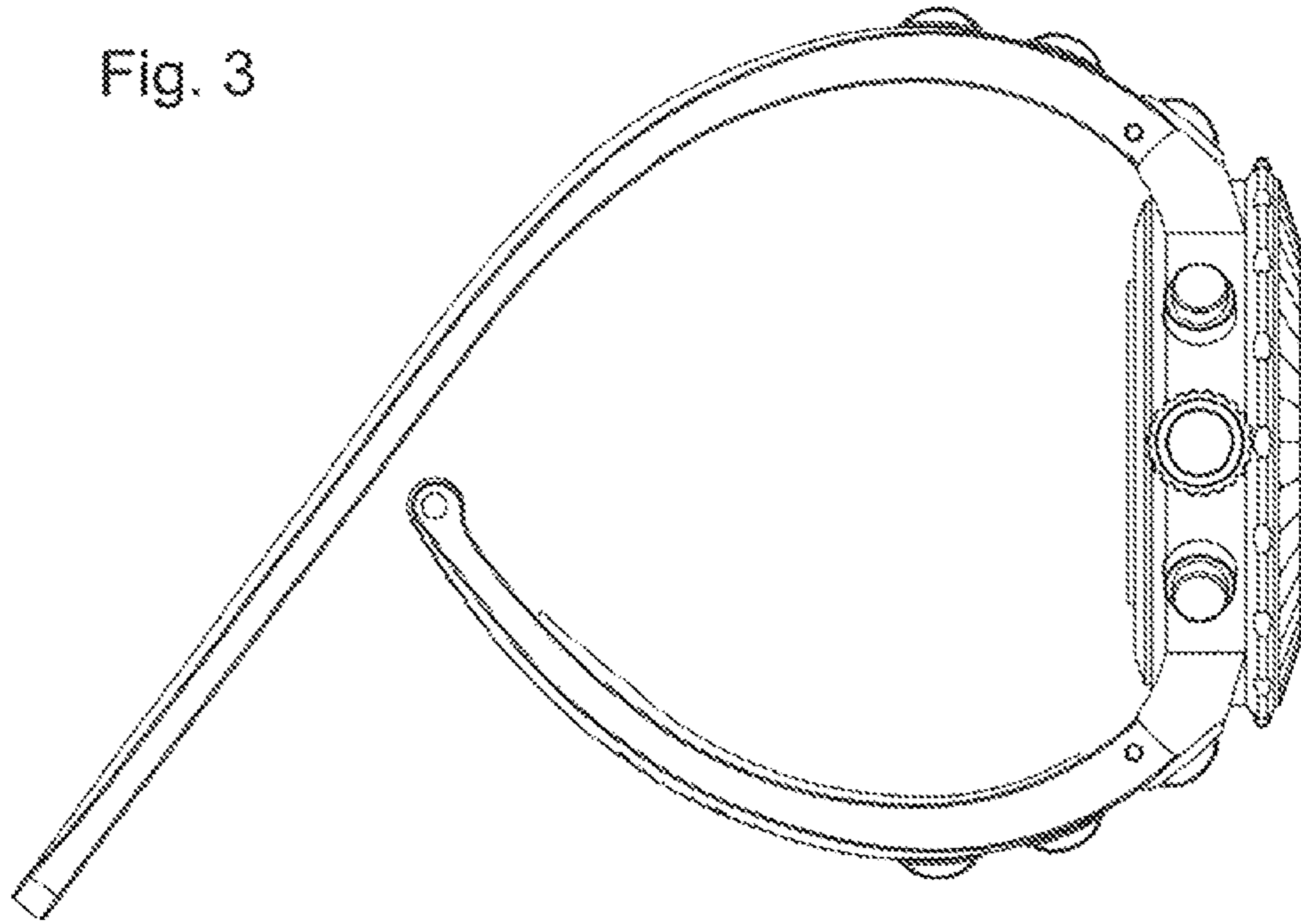


Fig. 4

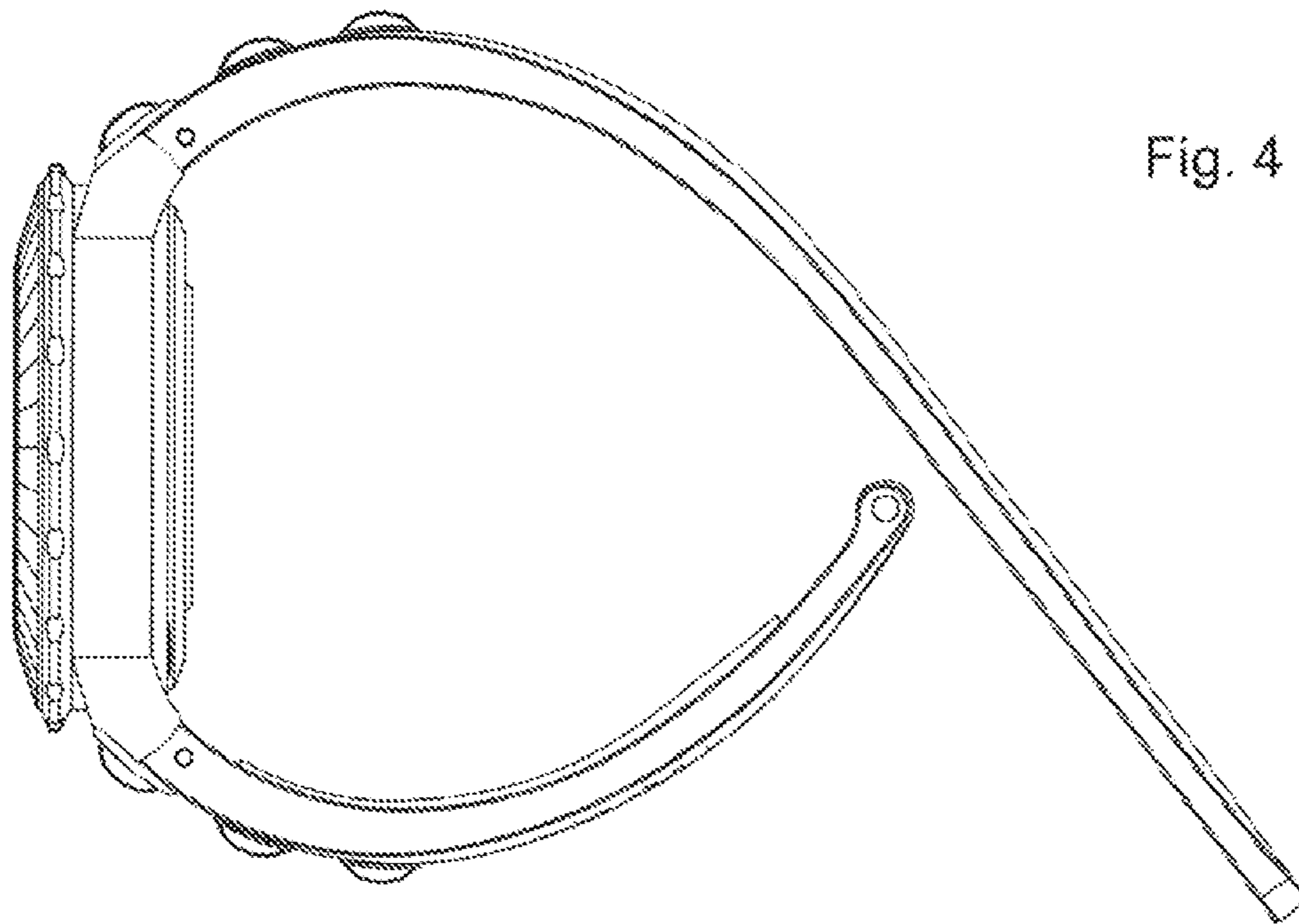


Fig. 5

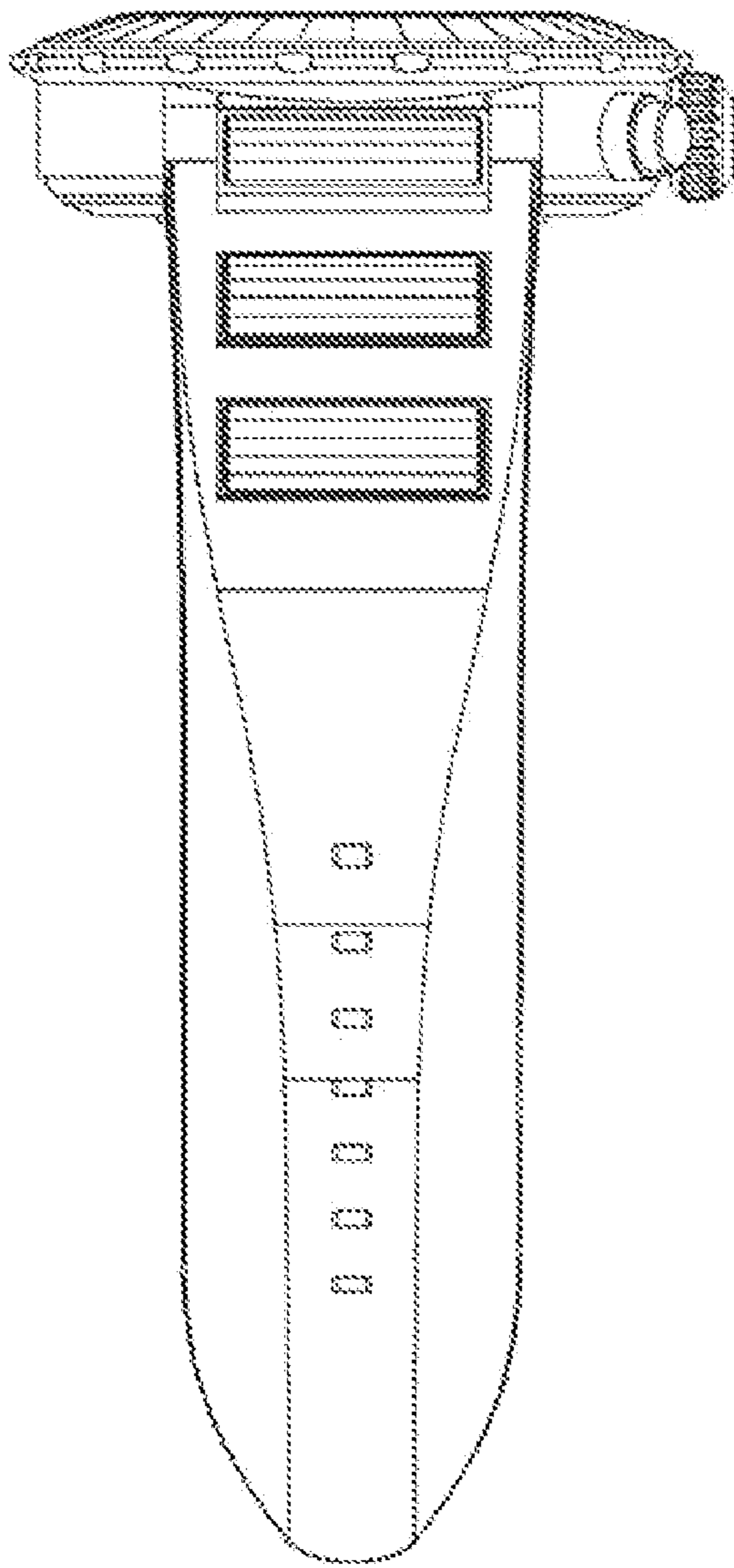


Fig. 7

